



US00D843357S

(12) **United States Design Patent** (10) **Patent No.:** **US D843,357 S**  
**Young et al.** (45) **Date of Patent:** **\*\* Mar. 19, 2019**

(54) **WI-FI ANTENNA**

(71) Applicant: **Electronic Controlled Systems, Inc.**,  
Bloomington, MN (US)

(72) Inventors: **Peter Marshall Young**, St. Paul, MN  
(US); **Paul Bruzek**, Minneapolis, MN  
(US); **Craig Miller**, Eden Prairie, MN  
(US); **Sam Shuster**, Minneapolis, MN  
(US); **Scott Wilken**, Eden Prairie, MN  
(US)

(73) Assignee: **Electronic Controlled Systems, Inc.**,  
Bloomington, MN (US)

(\*\*) Term: **15 Years**

(21) Appl. No.: **29/607,863**

(22) Filed: **Jun. 16, 2017**

(51) **LOC (11) Cl.** ..... **14-03**

(52) **U.S. Cl.**  
USPC ..... **D14/230**

(58) **Field of Classification Search**  
USPC ..... D14/230–238, 203.6, 204, 216, 221,  
D14/238.1, 240, 242, 299, 343, 358, 509,  
D14/209.1, 211, 214; D21/301, 390, 437,  
D21/441, 443

CPC ..... H01Q 7/00; H01Q 13/10; H01Q 9/285;  
H01Q 19/30; H01Q 19/12; H01Q 1/36;  
H01Q 1/38; H01Q 1/0475; H01Q 1/034;  
H05K 11/00; G05D 1/0234; G06K  
19/07749

See application file for complete search history.

(56) **References Cited**

**U.S. PATENT DOCUMENTS**

D287,588 S \* 1/1987 Ulch ..... D14/231  
D326,097 S \* 5/1992 Ferrario ..... D14/230  
D554,110 S \* 10/2007 Whiteside ..... D14/230

D561,744 S \* 2/2008 Whiteside ..... D14/230  
D669,884 S \* 10/2012 Hou ..... D14/214  
D718,749 S \* 12/2014 Huang ..... D14/230  
D736,739 S \* 8/2015 Son ..... D14/204  
D738,868 S \* 9/2015 Scott ..... D14/230  
D741,300 S \* 10/2015 Yohai-Giochais ..... D14/230  
D754,107 S \* 4/2016 Nabavi ..... D14/230  
D775,110 S \* 12/2016 Tsen ..... D14/230  
D786,823 S \* 5/2017 Seong ..... D14/204  
D786,837 S \* 5/2017 Tsen ..... D14/230  
D803,805 S \* 11/2017 Coffey ..... D14/130

(Continued)

**OTHER PUBLICATIONS**

King Falcon Wi-Fi Antenna, [online], post date Aug. 21, 2017,  
<URL: <http://www.rvbusiness.com/2017/08/king-falcon-wi-fi-antenna-set-to-launch-in-oct/>>, [site visited May 9, 2018].\*

*Primary Examiner* — Jeffrey D Asch

*Assistant Examiner* — Rebekah A Caruso

(74) *Attorney, Agent, or Firm* — Skaar Ulbrich Macari,  
P.A.

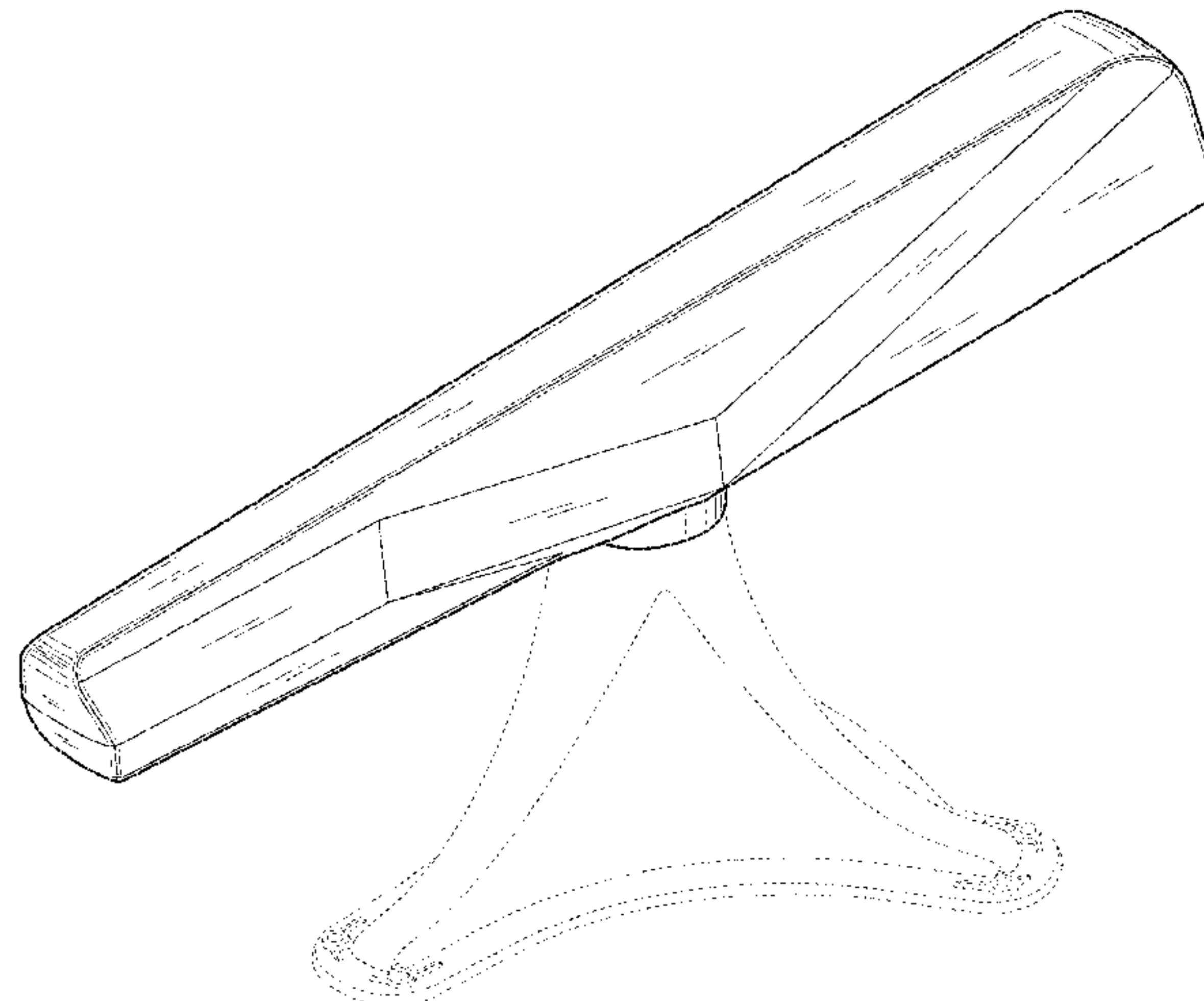
(57) **CLAIM**

We claim the ornamental design for a Wi-Fi antenna, as shown and described.

**DESCRIPTION**

FIG. 1 is a perspective view of a Wi-Fi antenna showing the claimed design;  
FIG. 2 is first side elevational view thereof, the opposite side being a mirror image thereof;  
FIG. 3 is a top plan view thereof;  
FIG. 4 is a bottom plan view thereof;  
FIG. 5 is a first end elevational view thereof; and,  
FIG. 6 is a second end elevational view thereof, the second end being the opposite end of that shown in FIG. 5.  
The broken lines in the figures represent portions of the article which form no part of the claimed design.

**1 Claim, 6 Drawing Sheets**



(56)

**References Cited**

U.S. PATENT DOCUMENTS

2014/0191921 A1\* 7/2014 Yang ..... H01Q 1/27  
343/872  
2017/0331185 A1\* 11/2017 Wilken ..... H01Q 3/005

\* cited by examiner

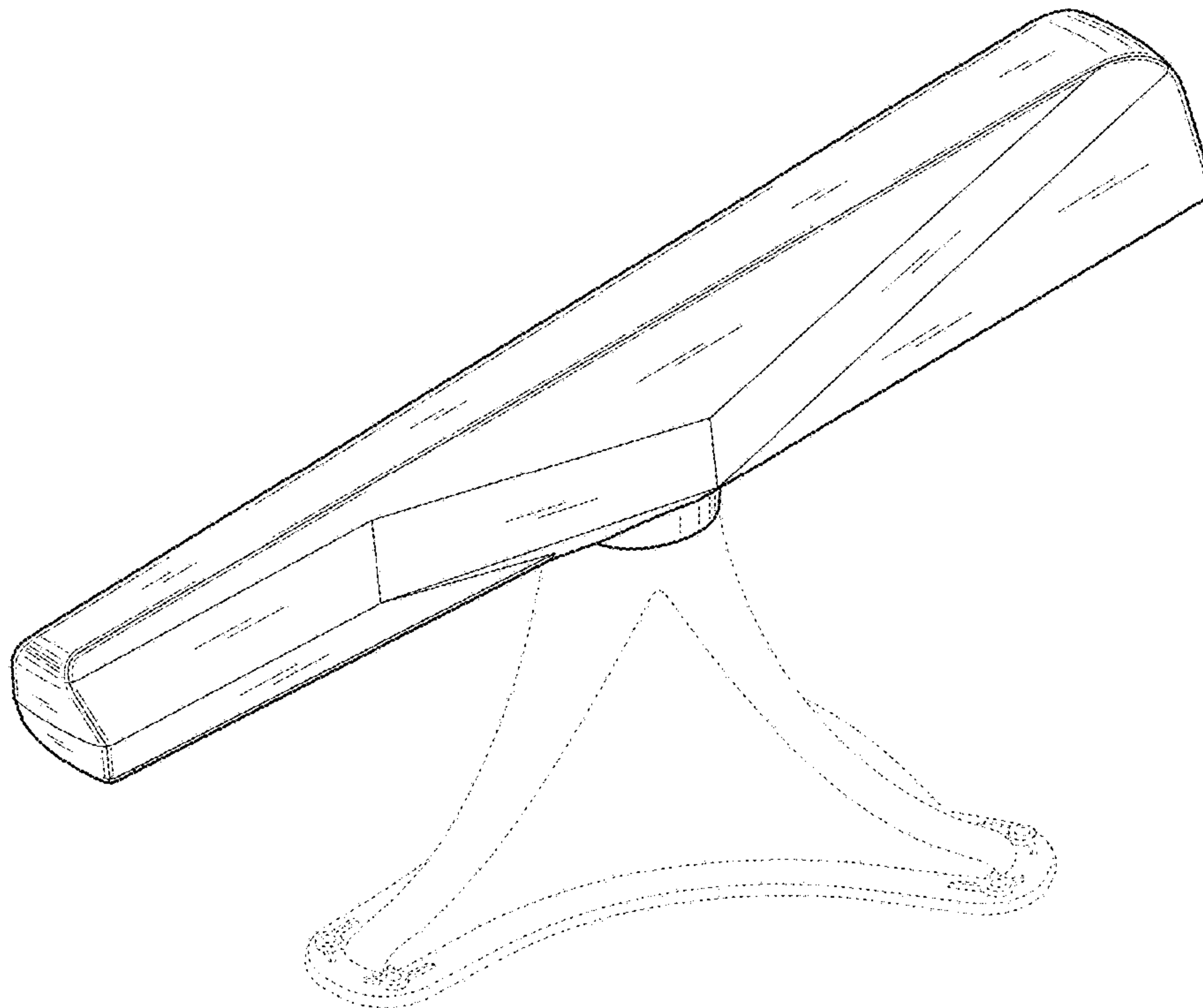


Fig. 1

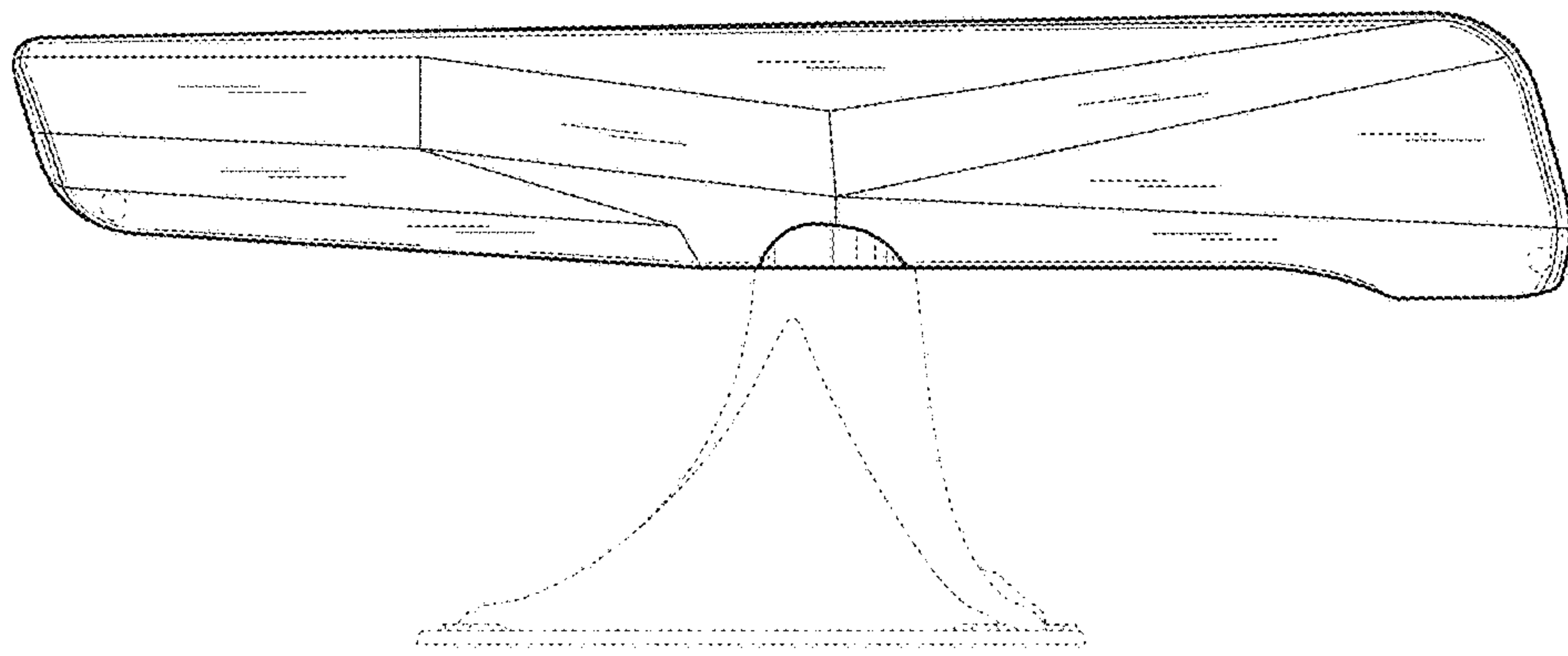


Fig. 2

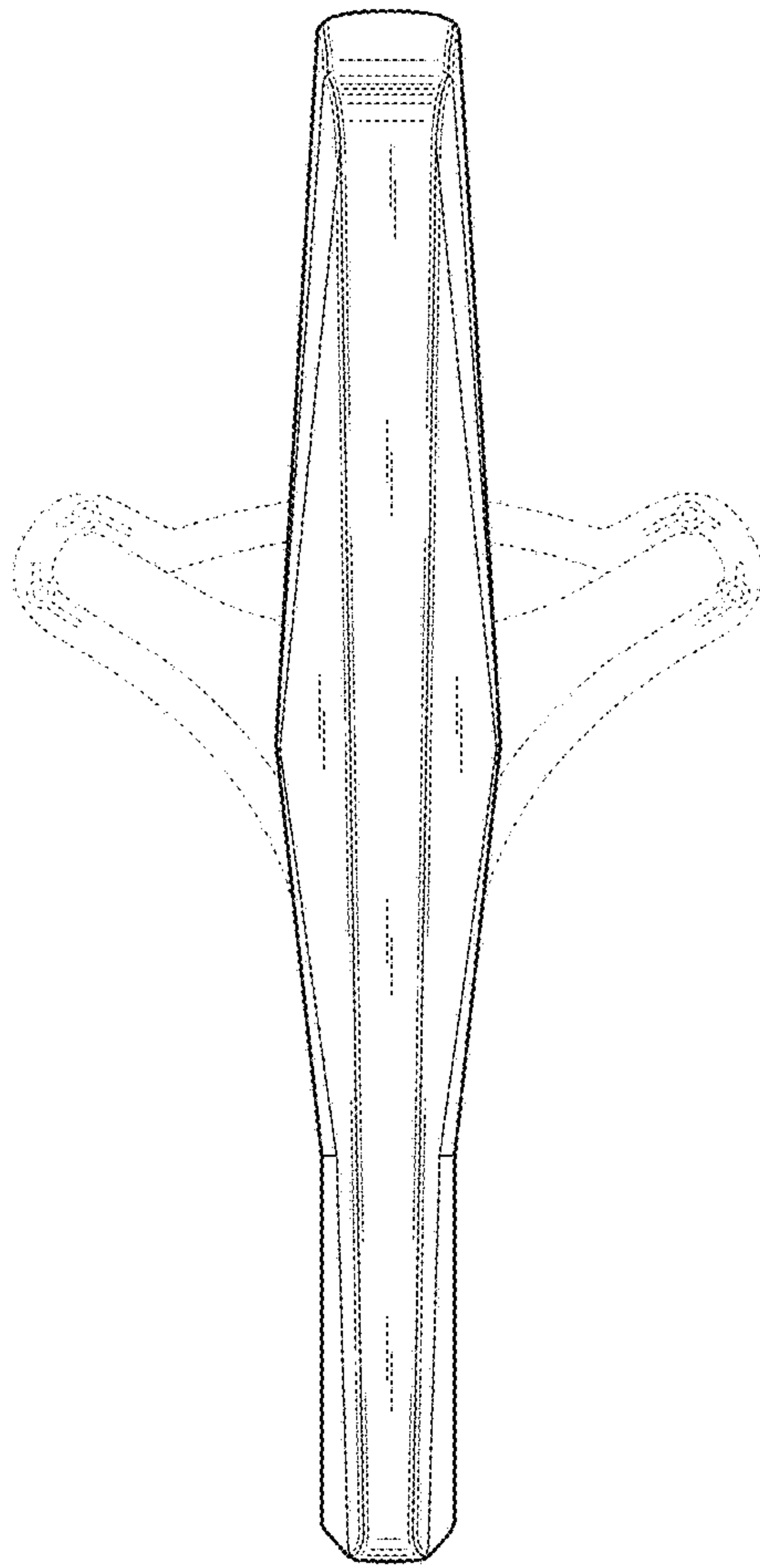


Fig. 3

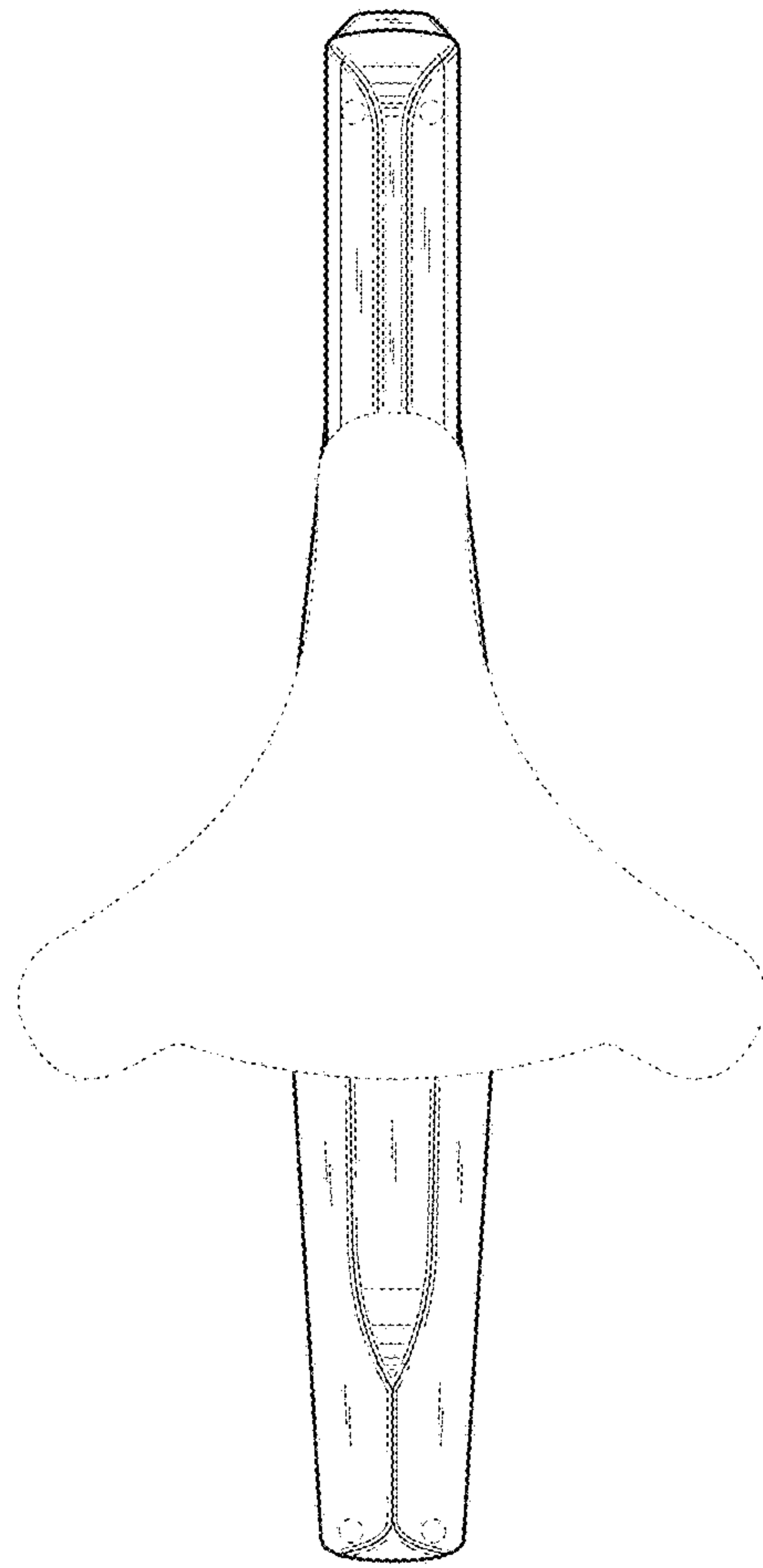
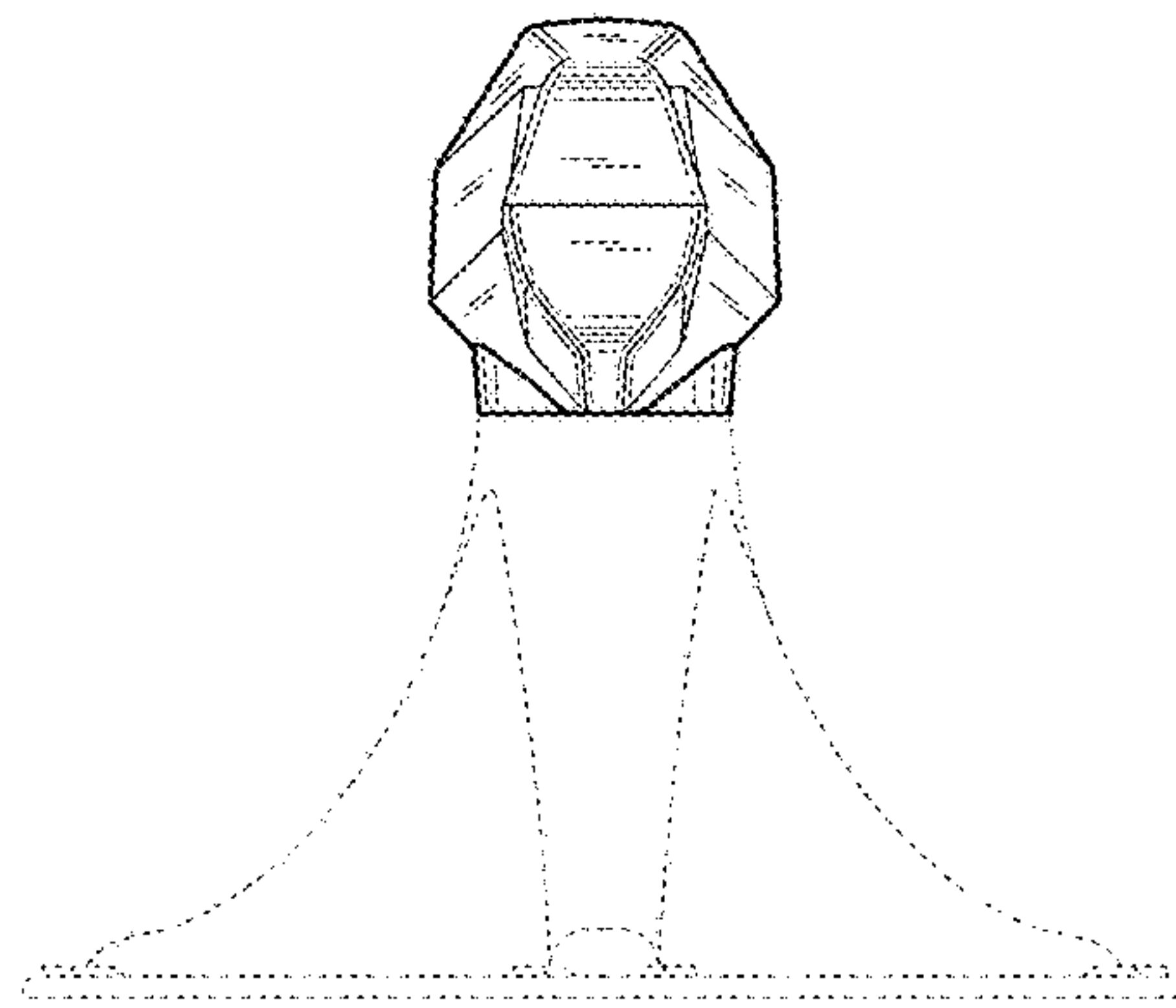
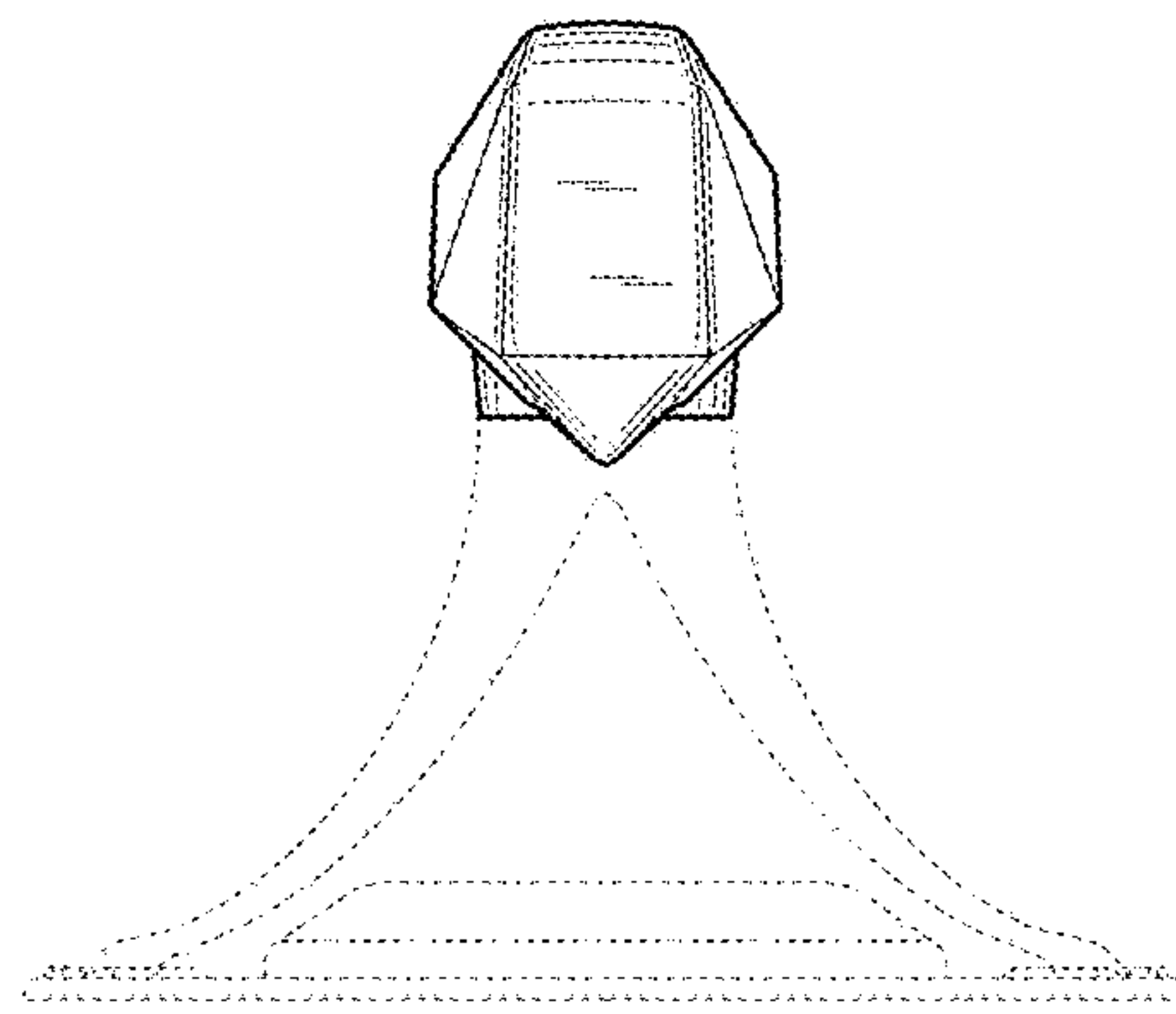


Fig. 4



**Fig. 5**



**Fig. 6**