



US00D843355S

(12) **United States Design Patent**
Sunwoo et al.

(10) **Patent No.:** **US D843,355 S**

(45) **Date of Patent:** **** Mar. 19, 2019**

- (54) **WIRELESS MICROPHONE**
- (71) Applicant: **Freedman Electronics Pty Limited,**
Silverwater (AU)
- (72) Inventors: **Sun Kyung Sunwoo,** Silverwater (AU);
Samuel Dean Trewartha, Silverwater
(AU); **Jonathan Mark Woodcock,**
Silverwater (AU)
- (73) Assignee: **Freedman Electronics PTY Limited,**
Silverwater (AU)

D462,947 S *	9/2002	Kung	D14/228
6,968,070 B1 *	11/2005	Chiang	H04R 1/08 381/355
D530,705 S *	10/2006	Shen	D14/225
D557,690 S *	12/2007	Lee	D14/228
D585,434 S *	1/2009	Ganley	D14/225
D589,032 S *	3/2009	Lee	D14/228
D589,033 S *	3/2009	Thusbass	D14/228
D598,011 S *	8/2009	Thusbass	D14/225
D619,619 S *	7/2010	Lee	D14/228
D620,954 S *	8/2010	Lee	D14/228
D682,812 S *	5/2013	Park	D14/225

* cited by examiner

(**) Term: **15 Years**

Primary Examiner — Katie Jane Stofko

(21) Appl. No.: **29/610,532**

(74) *Attorney, Agent, or Firm* — Cooper & Dunham LLP

(22) Filed: **Jul. 13, 2017**

(30) **Foreign Application Priority Data**

Jan. 13, 2017 (AU) 201710171

(51) **LOC (11) Cl.** **14-01**

(52) **U.S. Cl.**
USPC **D14/225**

(58) **Field of Classification Search**
USPC D14/224–229; D16/244; D17/99;
D6/681; 248/125.1, 166, 185.1;
381/355, 359, 361–363, 365, 366, 369,
381/375; 379/428.01, 428.04, 431,
379/433.03
CPC . H04R 25/00; H04R 1/02; H04R 5/02; H04R
9/08; F16M 11/38; F16M 13/00; F16M
11/00

See application file for complete search history.

(56) **References Cited**

U.S. PATENT DOCUMENTS

D435,037 S *	12/2000	Liu	D14/228
D449,042 S *	10/2001	Chung	D14/228

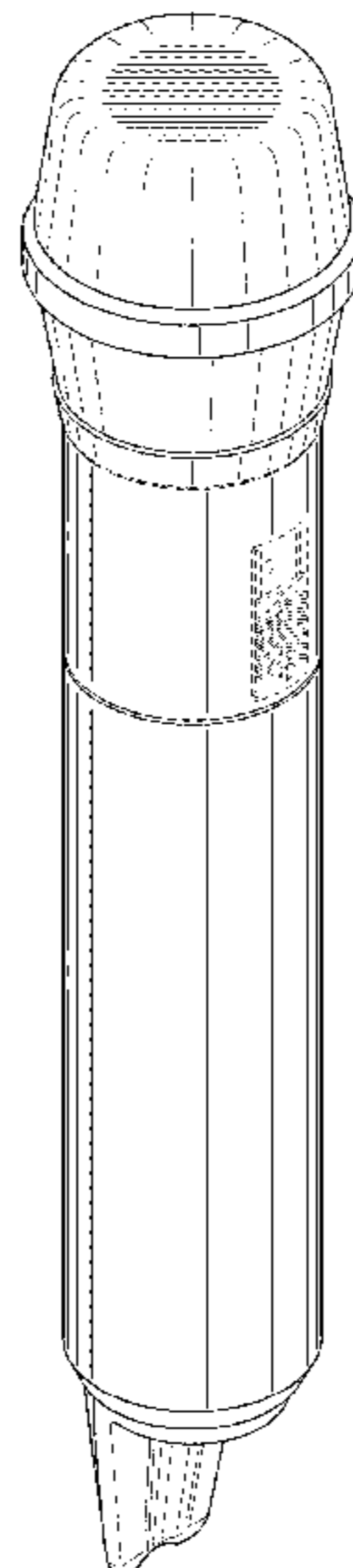
(57) **CLAIM**

We claim the ornamental design for a wireless microphone,
as shown and described.

DESCRIPTION

FIG. 1 is a top, front, left side perspective view of a wireless microphone;
FIG. 2 is a top, front, right side perspective view thereof;
FIG. 3 is a front elevational view thereof;
FIG. 4 is a right side elevational view thereof;
FIG. 5 is a rear elevational view thereof;
FIG. 6 is a left side elevational view thereof;
FIG. 7 is a top plan view thereof; and,
FIG. 8 is a bottom plan view thereof.
The broken lines shown in the drawings illustrate portions of the wireless microphone that form no part of the claimed design.

1 Claim, 8 Drawing Sheets



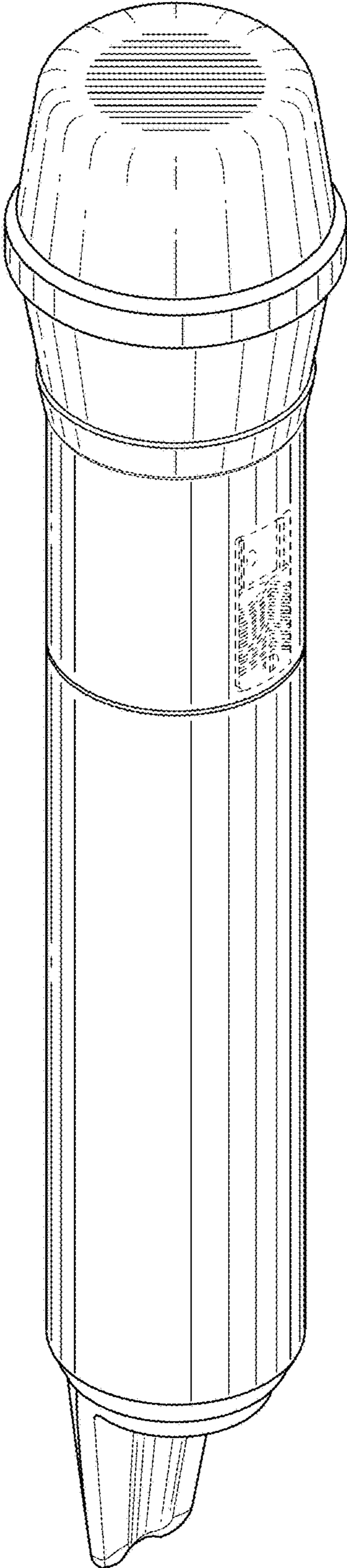


FIG. 1

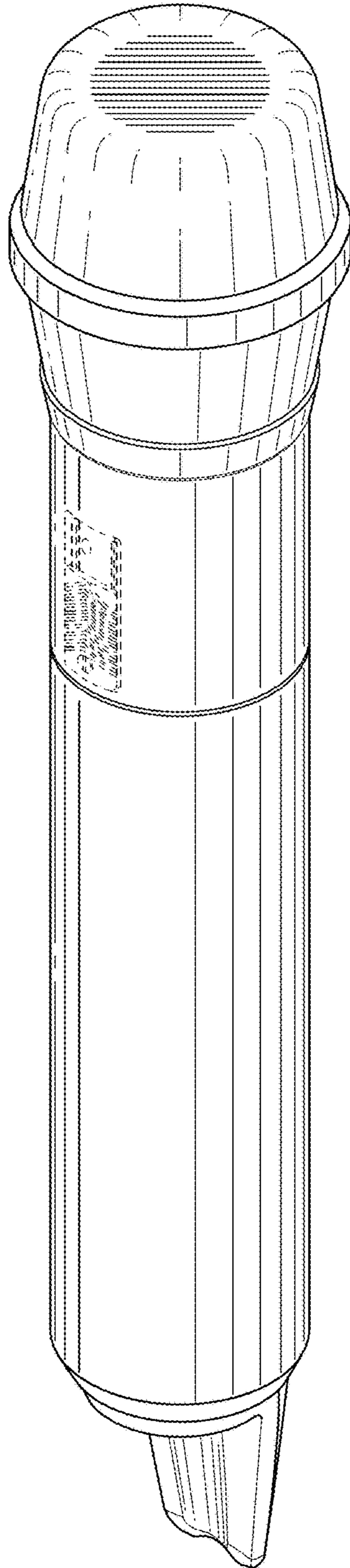


FIG. 2

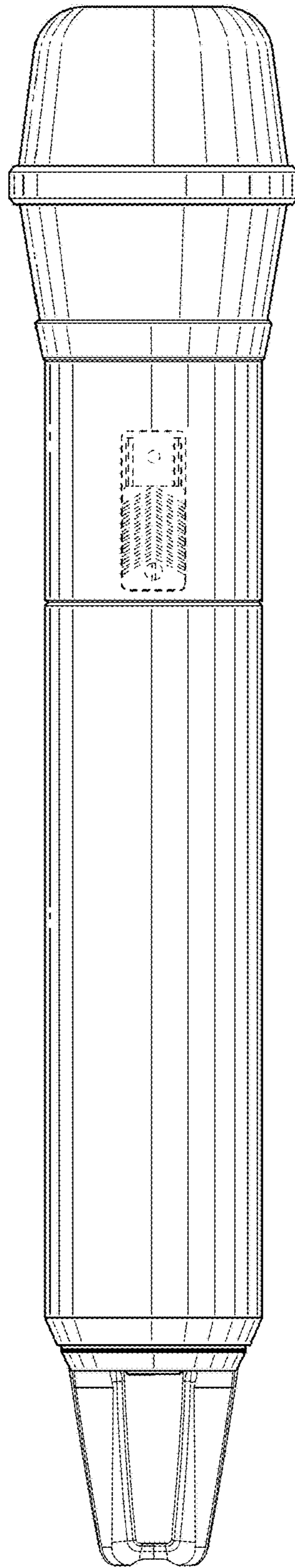


FIG. 3

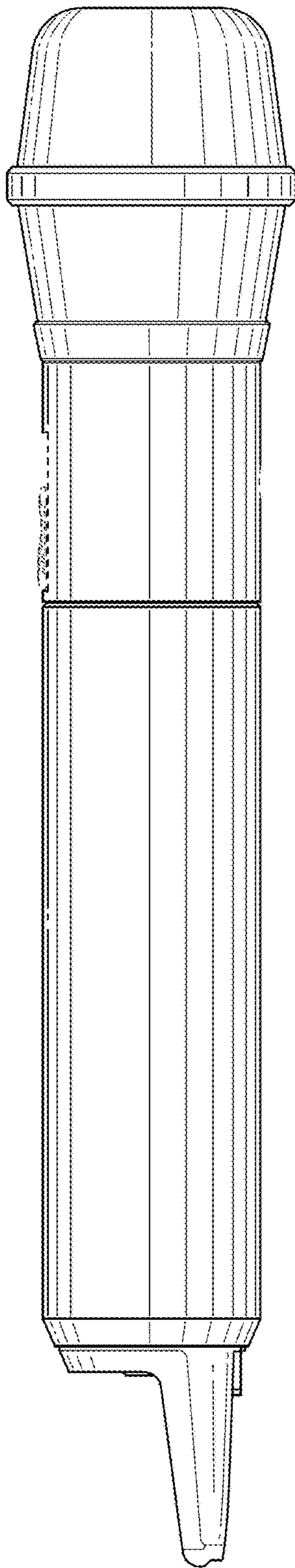


FIG.4

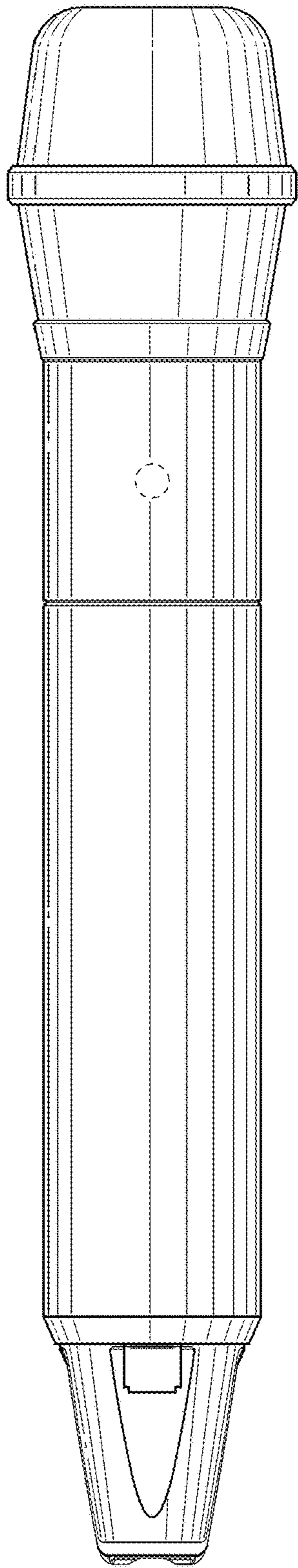


FIG. 5

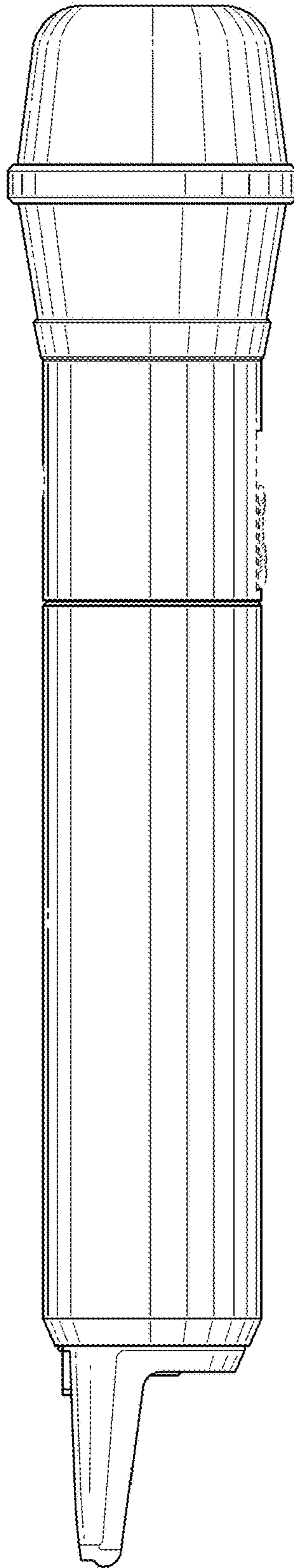


FIG.6

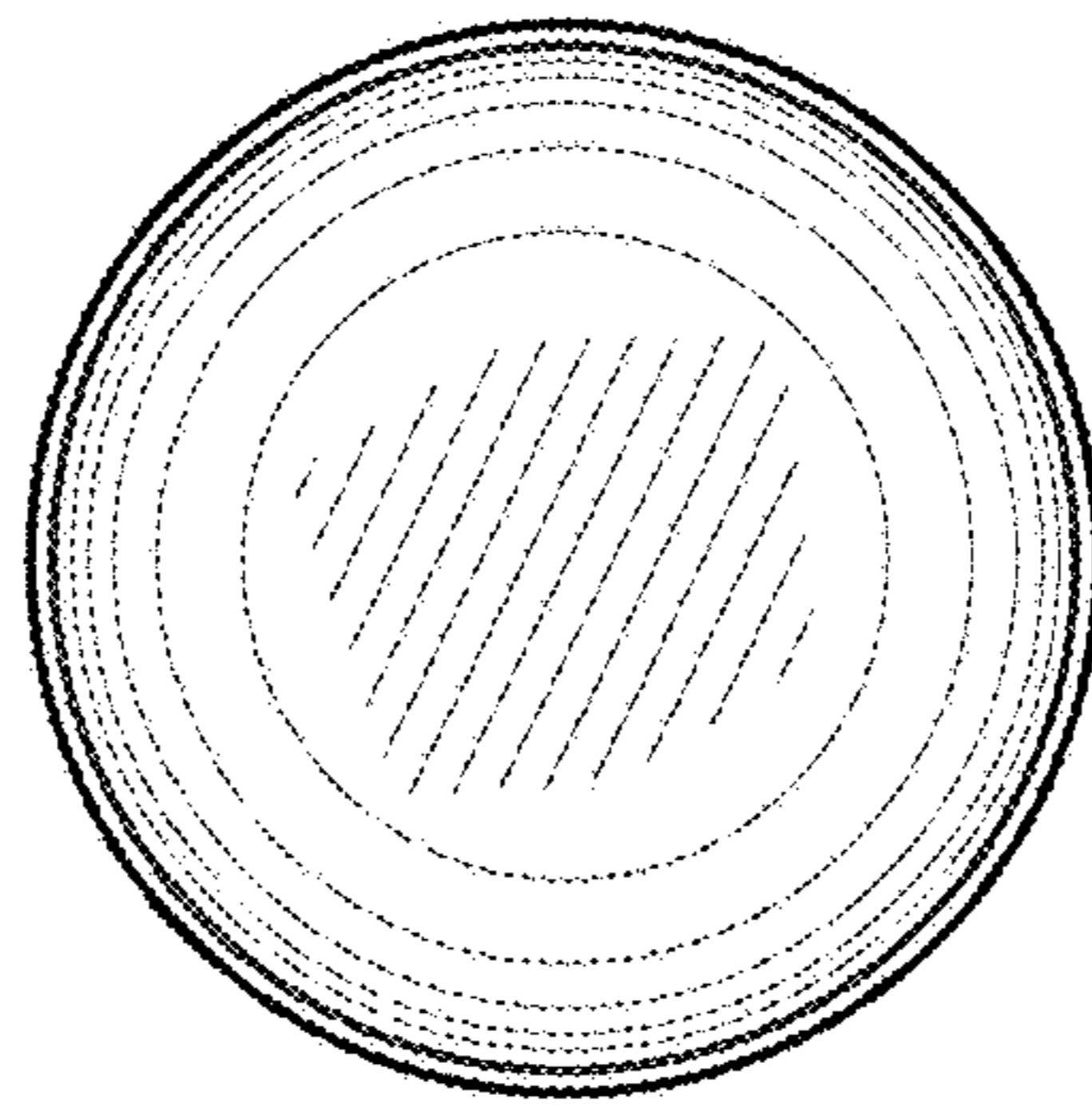


FIGURE 7

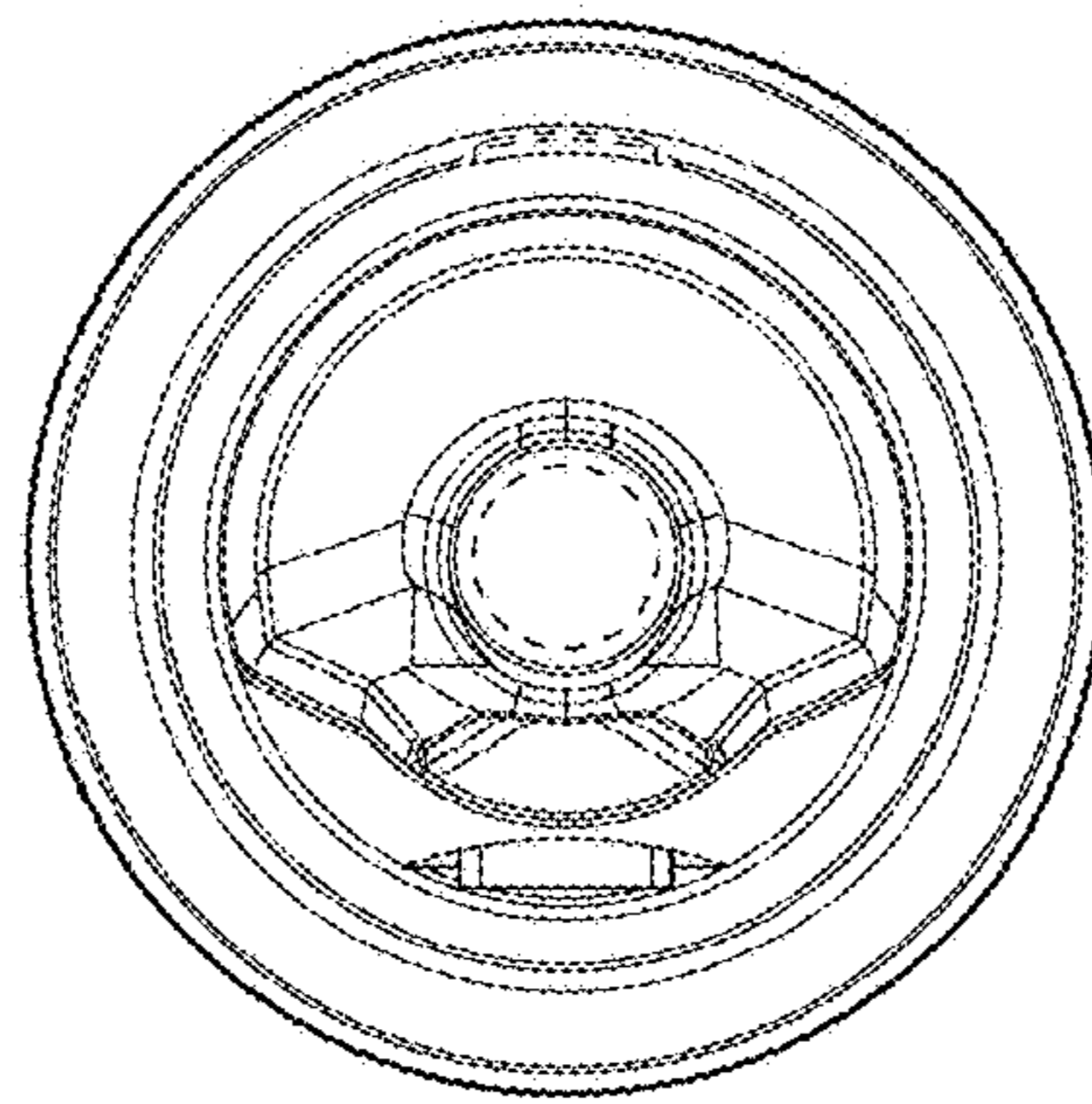


FIG. 8