



US00D843354S

(12) **United States Design Patent**
Kumano

(10) **Patent No.:** **US D843,354 S**
(45) **Date of Patent:** **** Mar. 19, 2019**

- (54) **EARPHONE**
- (71) Applicant: **SONY CORPORATION**, Tokyo (JP)
- (72) Inventor: **Daigaku Kumano**, Tokyo (JP)
- (73) Assignee: **SONY CORPORATION**, Tokyo (JP)
- (**) Term: **15 Years**
- (21) Appl. No.: **29/608,694**
- (22) Filed: **Jun. 23, 2017**
- (51) **LOC (11) Cl.** **14-01**
- (52) **U.S. Cl.**
USPC **D14/223**
- (58) **Field of Classification Search**
USPC D14/223, 205; D24/174; 128/864, 865,
128/866; 181/129, 130, 135; 379/430,
379/431; 381/380, 381, 374, 375, 74;
455/90.3, 575.1, 569.1
CPC H04R 1/10; H04R 25/00; H04R 1/1066;
H04R 1/1016; H04R 5/033; H04R 5/0335
See application file for complete search history.

- D566,099 S * 4/2008 Komiyama D14/206
 - D587,248 S 2/2009 Densho
 - D593,537 S * 6/2009 Arimoto D14/205
- (Continued)

FOREIGN PATENT DOCUMENTS

- CN 303287472 S 7/2015
- CN 303755372 S 7/2016
- CN 303773636 S 8/2016

Primary Examiner — Paula Allen Greene
(74) *Attorney, Agent, or Firm* — Michael Best and Friedrich LLP

(57) **CLAIM**

The ornamental design for an earphone, as shown and described.

DESCRIPTION

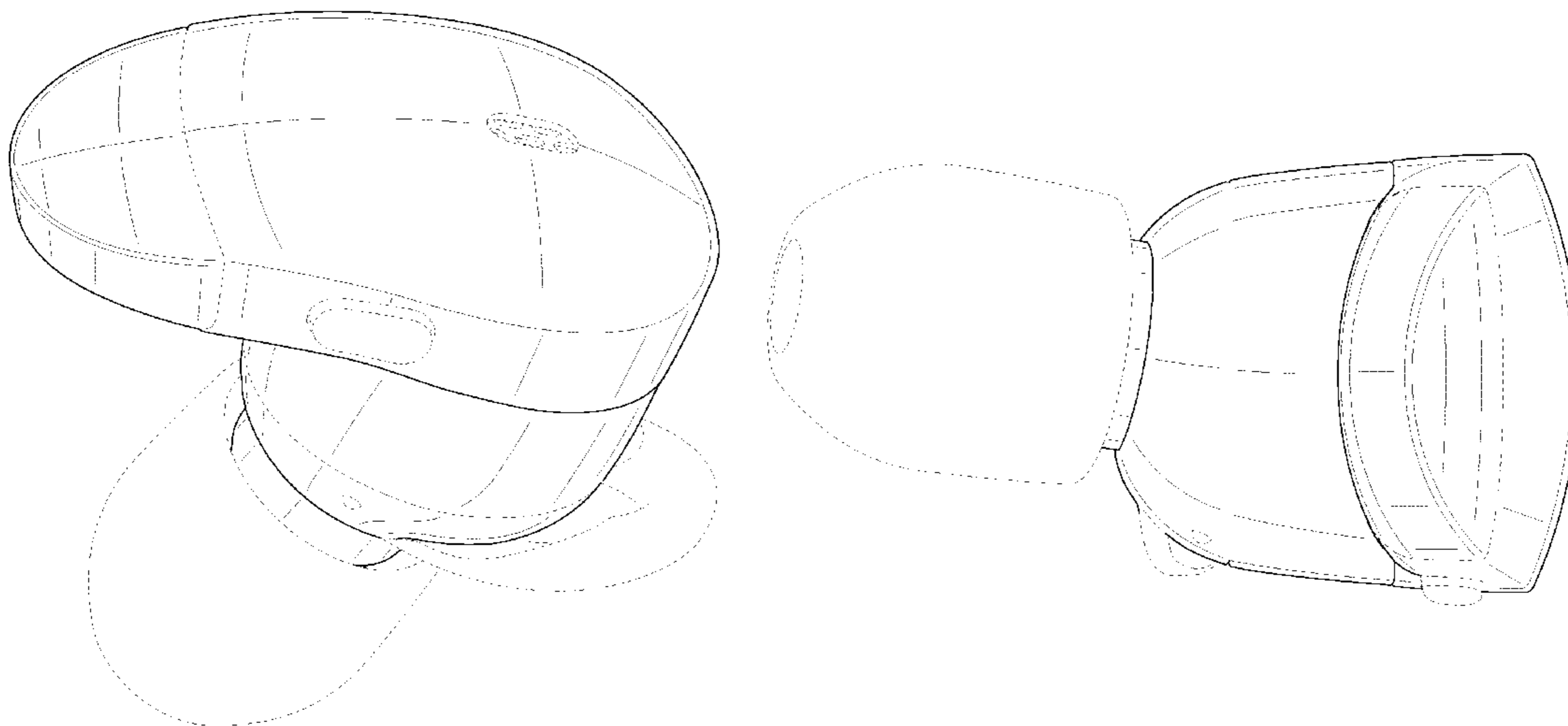
FIG. 1 is a perspective view of a first embodiment of an earphone showing my new design;
 FIG. 2 is a front elevational view thereof;
 FIG. 3 is a rear elevational view thereof;
 FIG. 4 is a left side elevational view thereof;
 FIG. 5 is a right side elevational view thereof;
 FIG. 6 is a top plan view thereof; and
 FIG. 7 is a bottom plan view thereof.
 FIG. 8 is a perspective view of a second embodiment of an earphone showing my new design;
 FIG. 9 is a front elevational view thereof;
 FIG. 10 is a rear elevational view thereof;
 FIG. 11 is a left side elevational view thereof;
 FIG. 12 is a right side elevational view thereof;
 FIG. 13 is a top plan view thereof; and,
 FIG. 14 is a bottom plan view thereof.
 The broken lines immediately adjacent the shaded areas represent the bounds of the claimed design while all other broken lines are directed to environment and are for illustrative purposes only; the broken lines form no part of the claimed design.

(56) **References Cited**

U.S. PATENT DOCUMENTS

- 3,440,365 A * 4/1969 Hazell H04M 1/05
379/430
- D367,113 S * 2/1996 Weeks D24/174
- 6,386,314 B1 * 5/2002 Sheehan A61B 5/12
181/129
- D494,568 S * 8/2004 Pan D14/206
- D494,570 S * 8/2004 Ma D14/223
- D497,613 S * 10/2004 Gwee D14/205
- 6,868,284 B2 * 3/2005 Bae H04M 1/05
379/428.02
- 7,079,664 B2 * 7/2006 Nassimi H04R 25/558
381/328
- D531,169 S * 10/2006 Tokioka D14/223
- 7,248,902 B2 * 7/2007 Chu H04M 1/6066
379/420.01

1 Claim, 14 Drawing Sheets



(56)

References Cited

U.S. PATENT DOCUMENTS

D597,084	S	*	7/2009	Gondo	D14/223
D618,211	S	*	6/2010	Oguro	D14/205
D623,630	S	*	9/2010	Ohori	D14/223
D626,117	S	*	10/2010	Lowry	D14/223
D631,470	S	*	1/2011	Yoneyama	D14/223
D632,677	S	*	2/2011	Brown	D14/223
D634,300	S	*	3/2011	Yang	D14/206
D634,736	S	*	3/2011	Wikel	D14/223
D635,558	S	*	4/2011	Zheng	D14/206
D637,998	S	*	5/2011	Brunner	D14/205
D641,010	S	*	7/2011	Kwon	D14/223
D641,011	S	*	7/2011	Gondo	D14/206
D643,414	S	*	8/2011	Lee	D14/205
D652,817	S	*	1/2012	Lee	D14/205
D668,244	S	*	10/2012	Matsumura	D14/223
D693,795	S	*	11/2013	Paradise	D14/223
D705,757	S		5/2014	Yashiro		
9,055,369	B2	*	6/2015	Yang	H04R 1/10
D743,949	S	*	11/2015	Miyake	D14/223
D764,445	S	*	8/2016	Czaniecki	D14/223
D788,079	S	*	5/2017	Son	D14/223
D801,950	S	*	11/2017	Otani	D14/223
D810,054	S	*	2/2018	Yuan	D14/223
D813,848	S	*	3/2018	Palmborg	D14/223
2004/0101151	A1	*	5/2004	Webber	H04R 1/105 381/328
2013/0259286	A1	*	10/2013	Chung	H04R 1/1016 381/380

* cited by examiner

FIG. 1

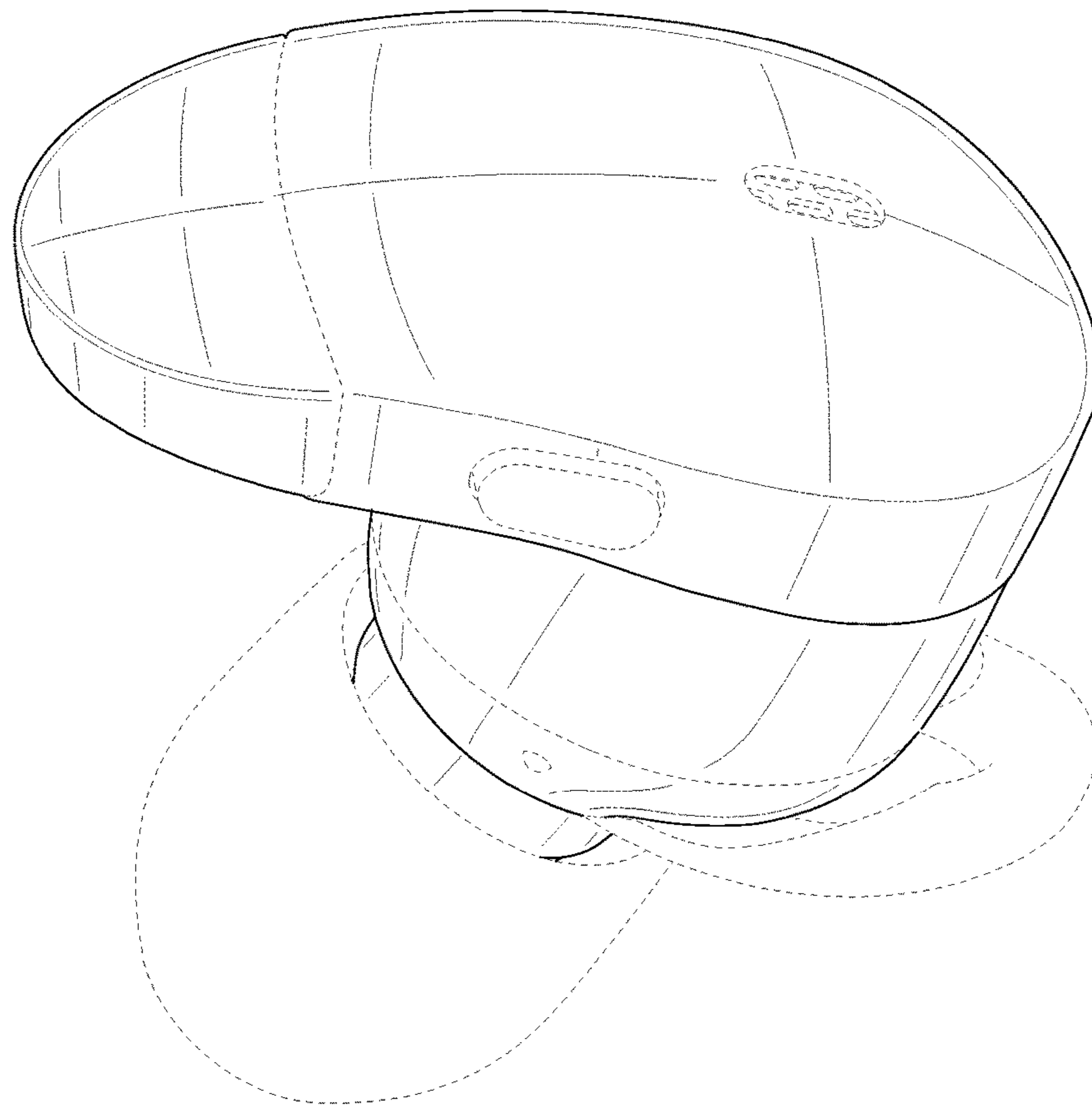


FIG.2

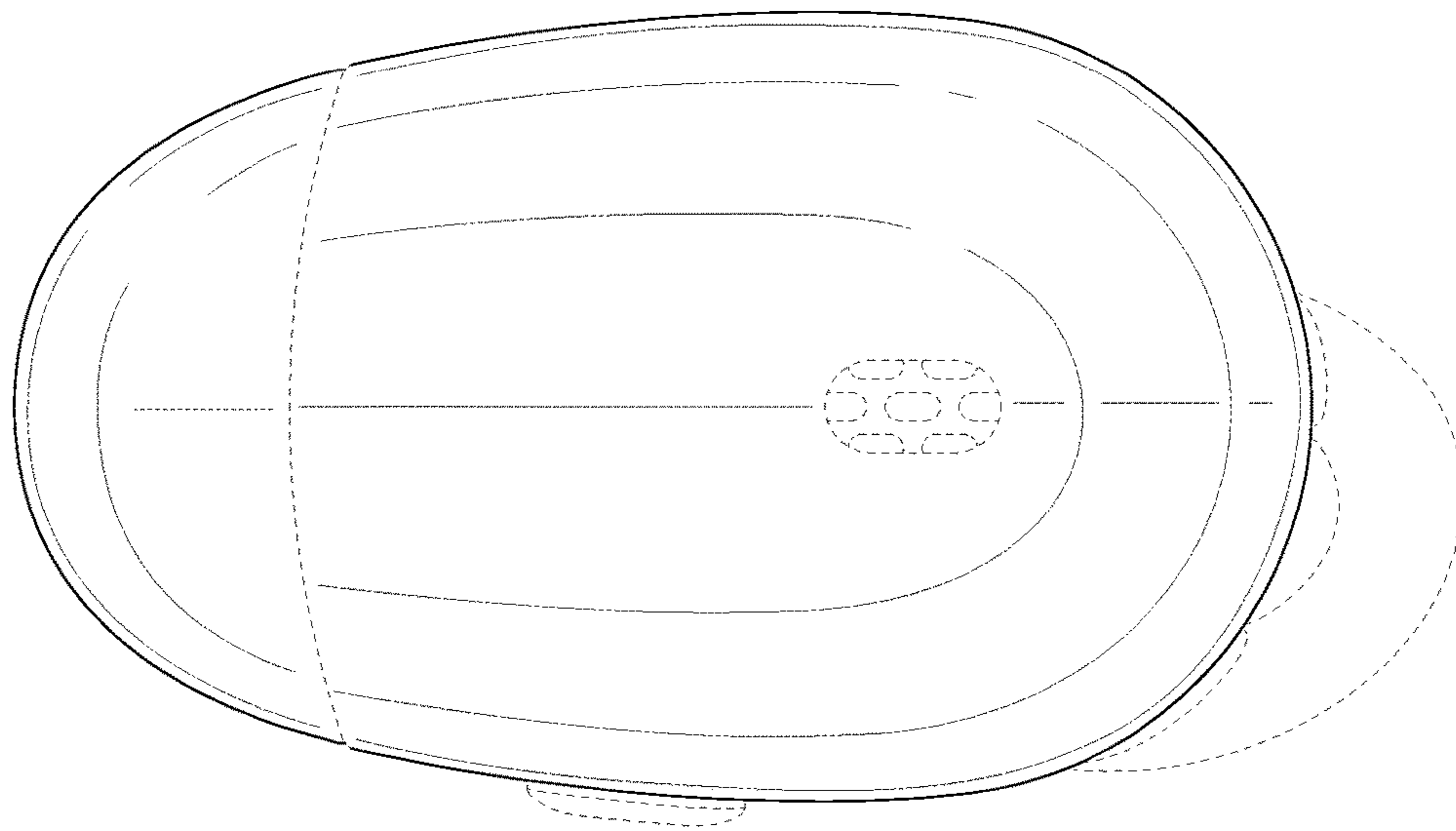


FIG.3

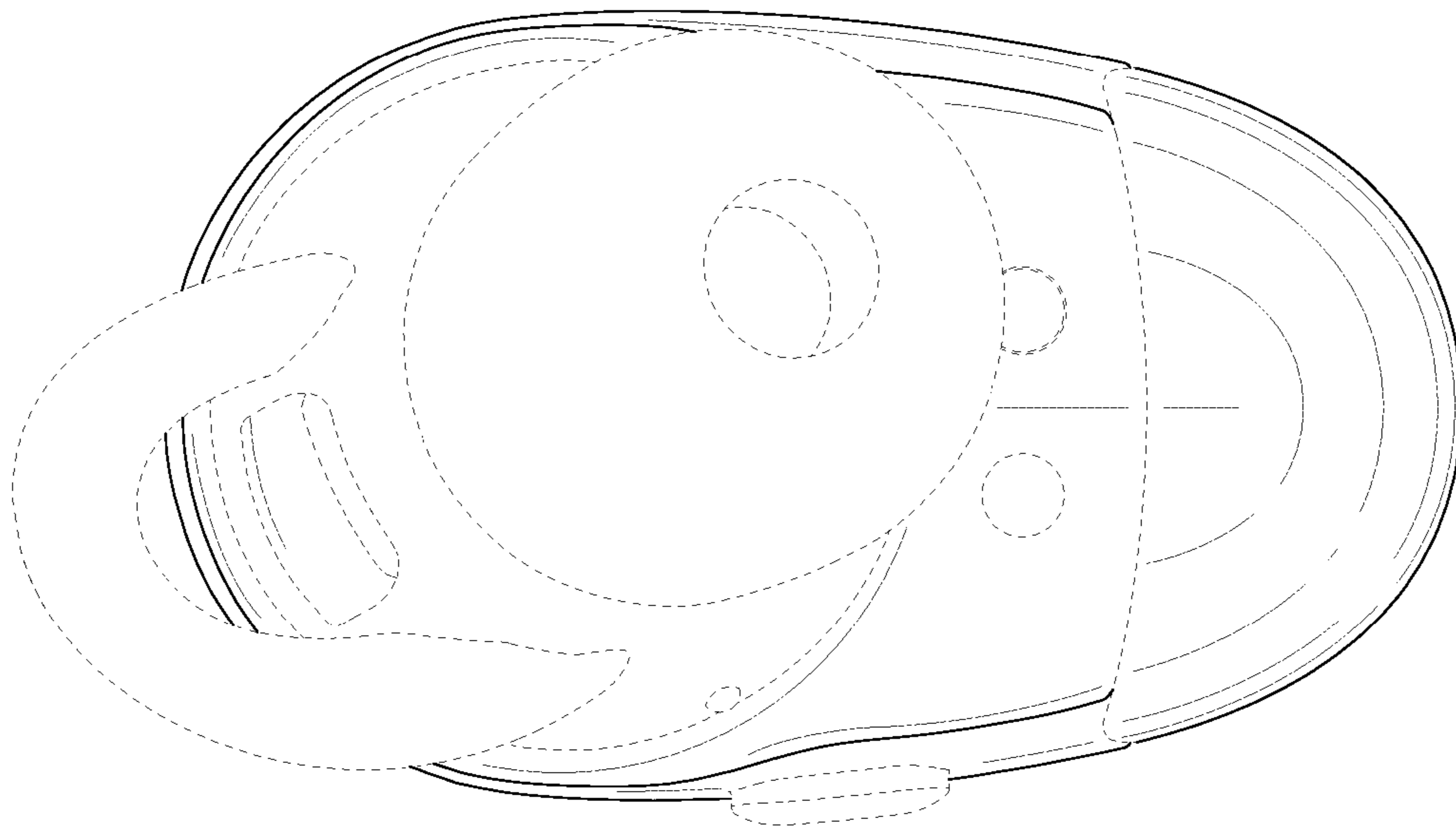


FIG.4

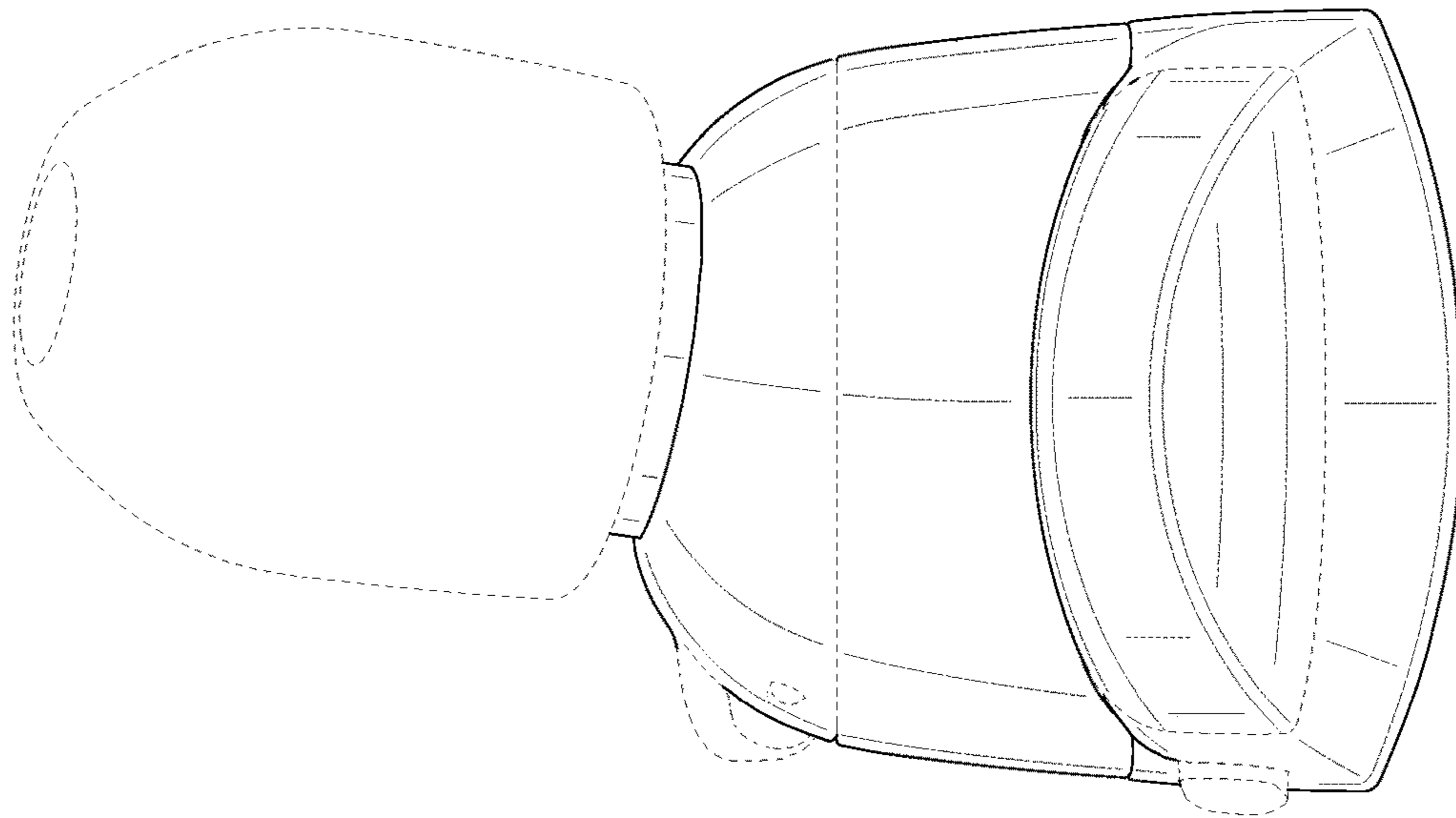


FIG. 5

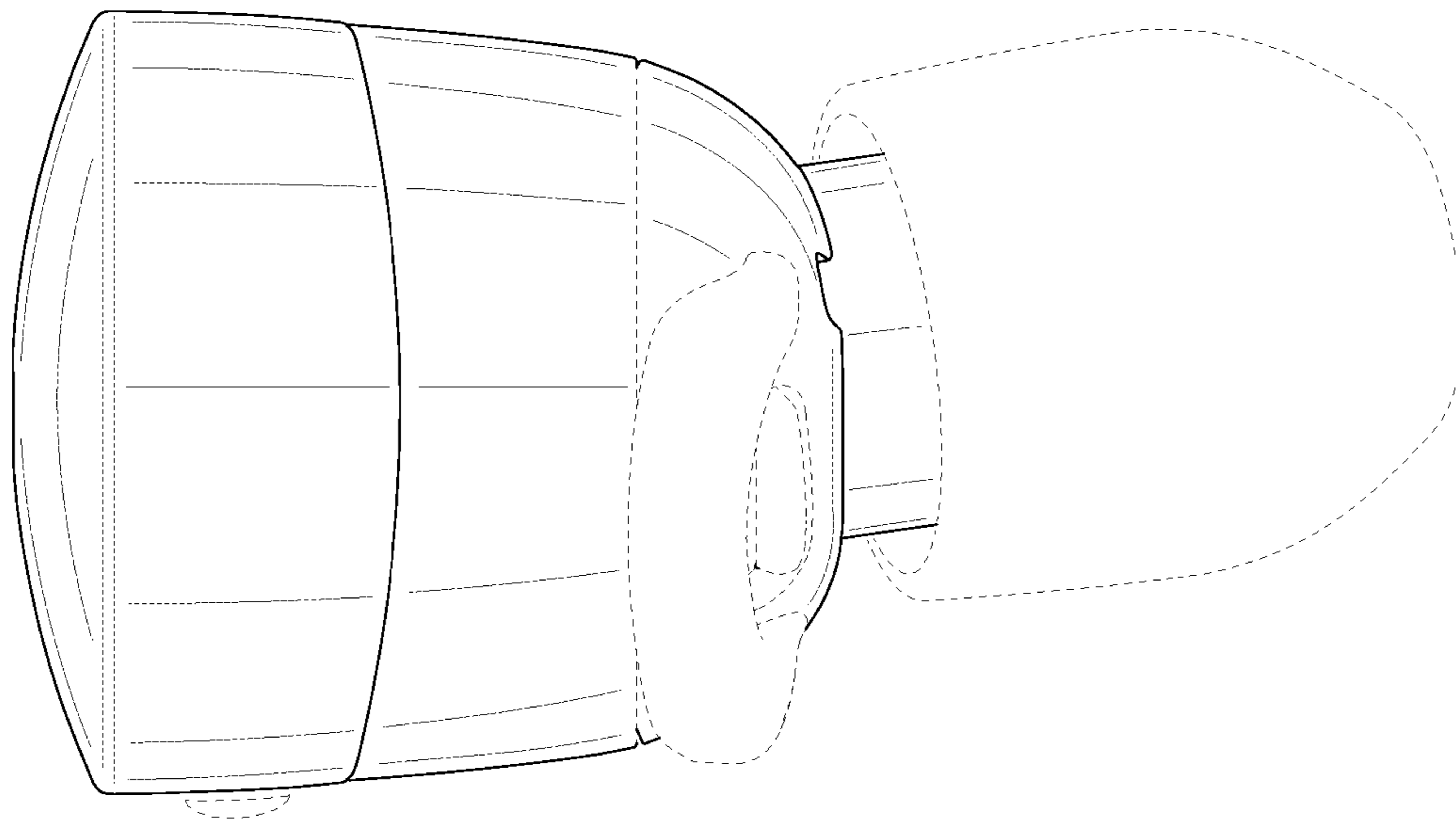


FIG.6

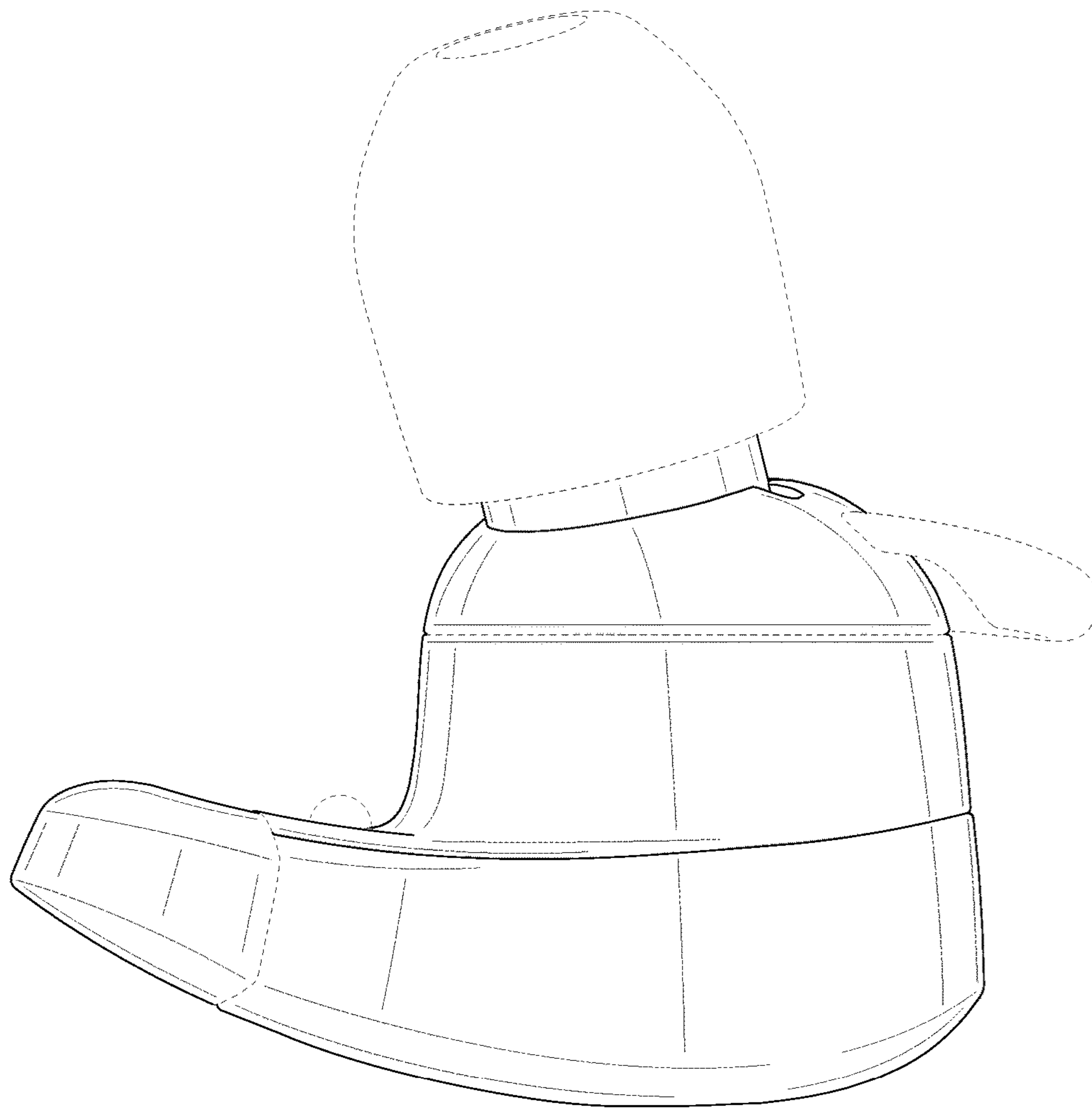


FIG.7

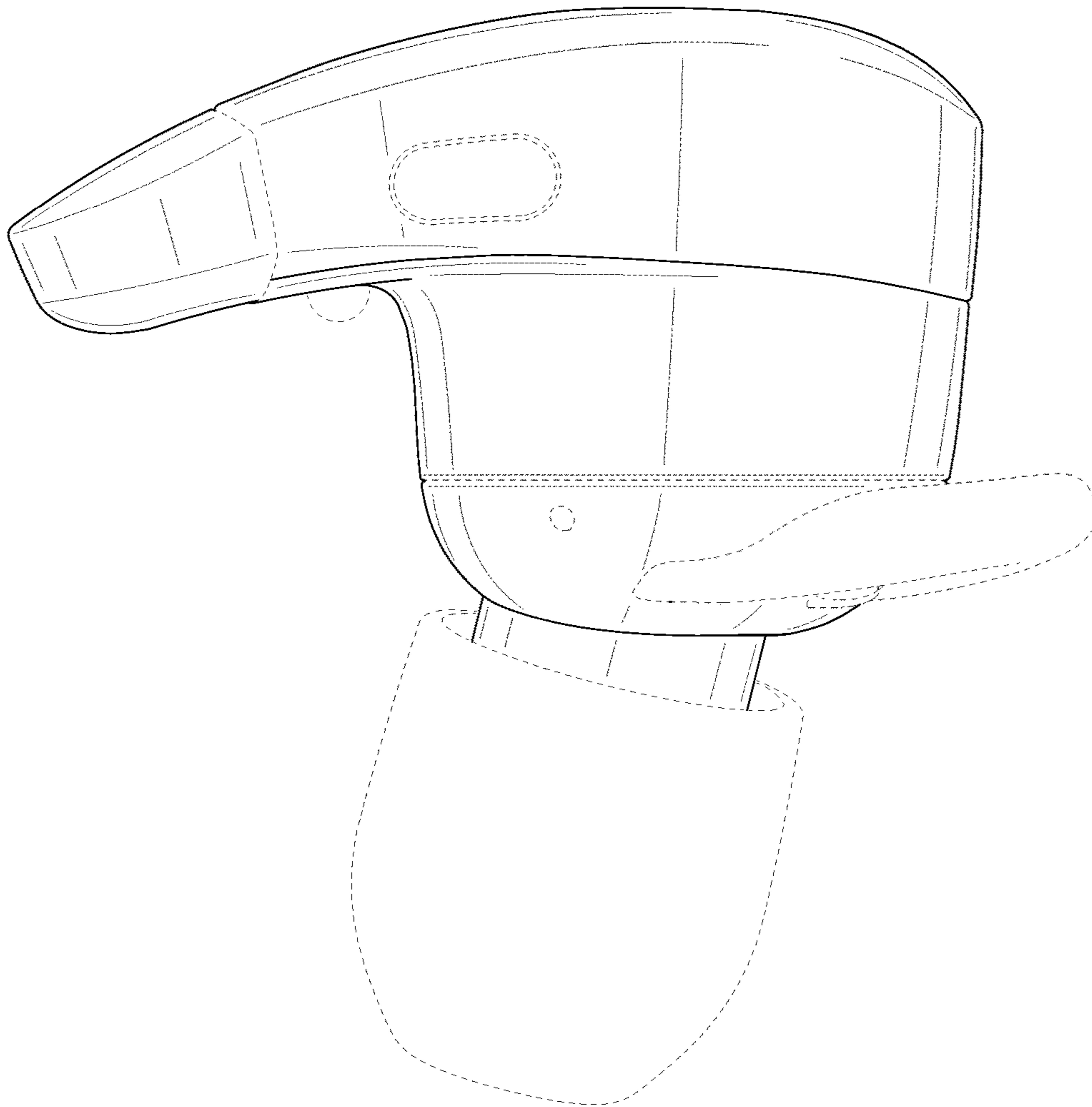


FIG.8

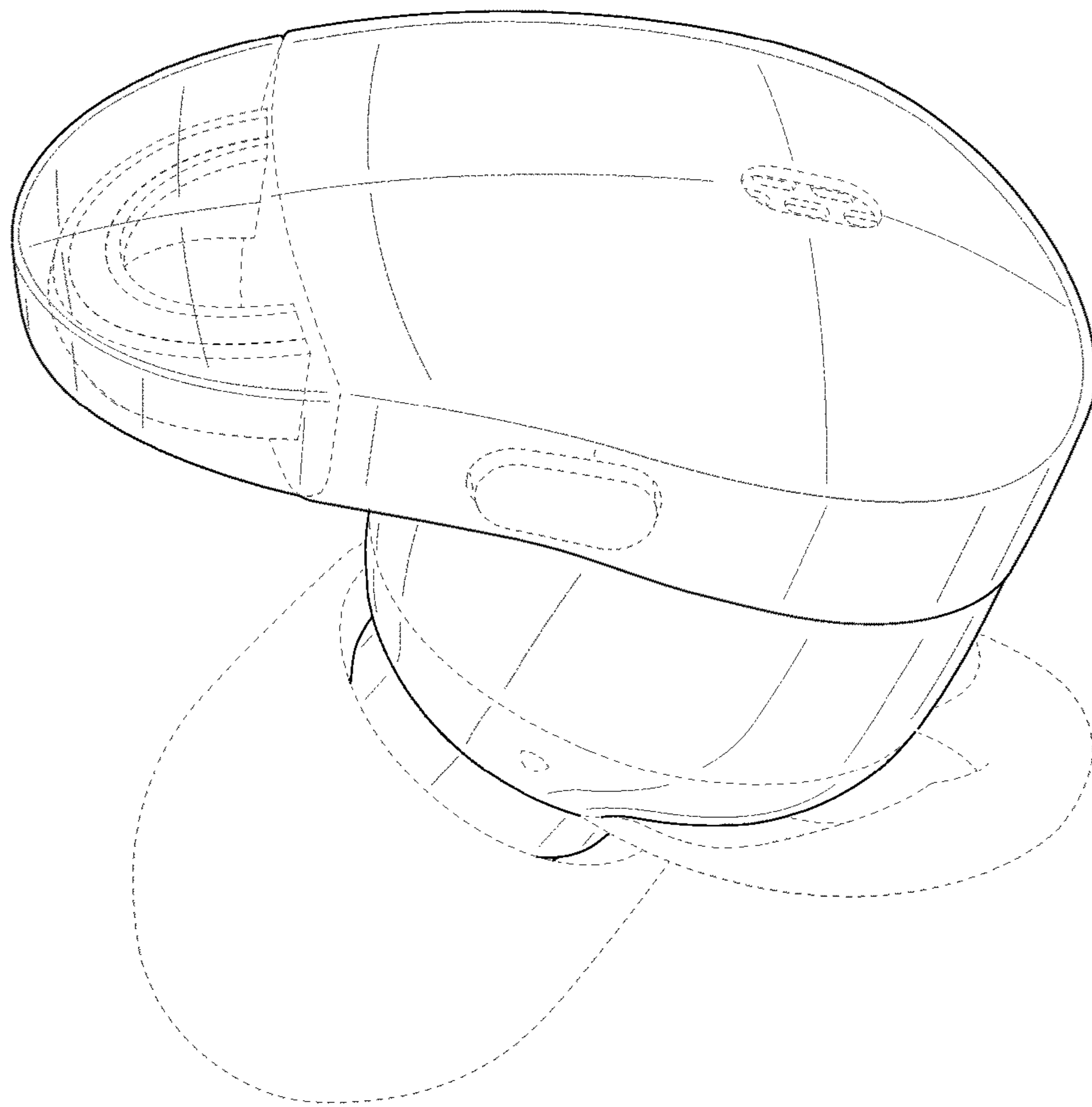


FIG.9

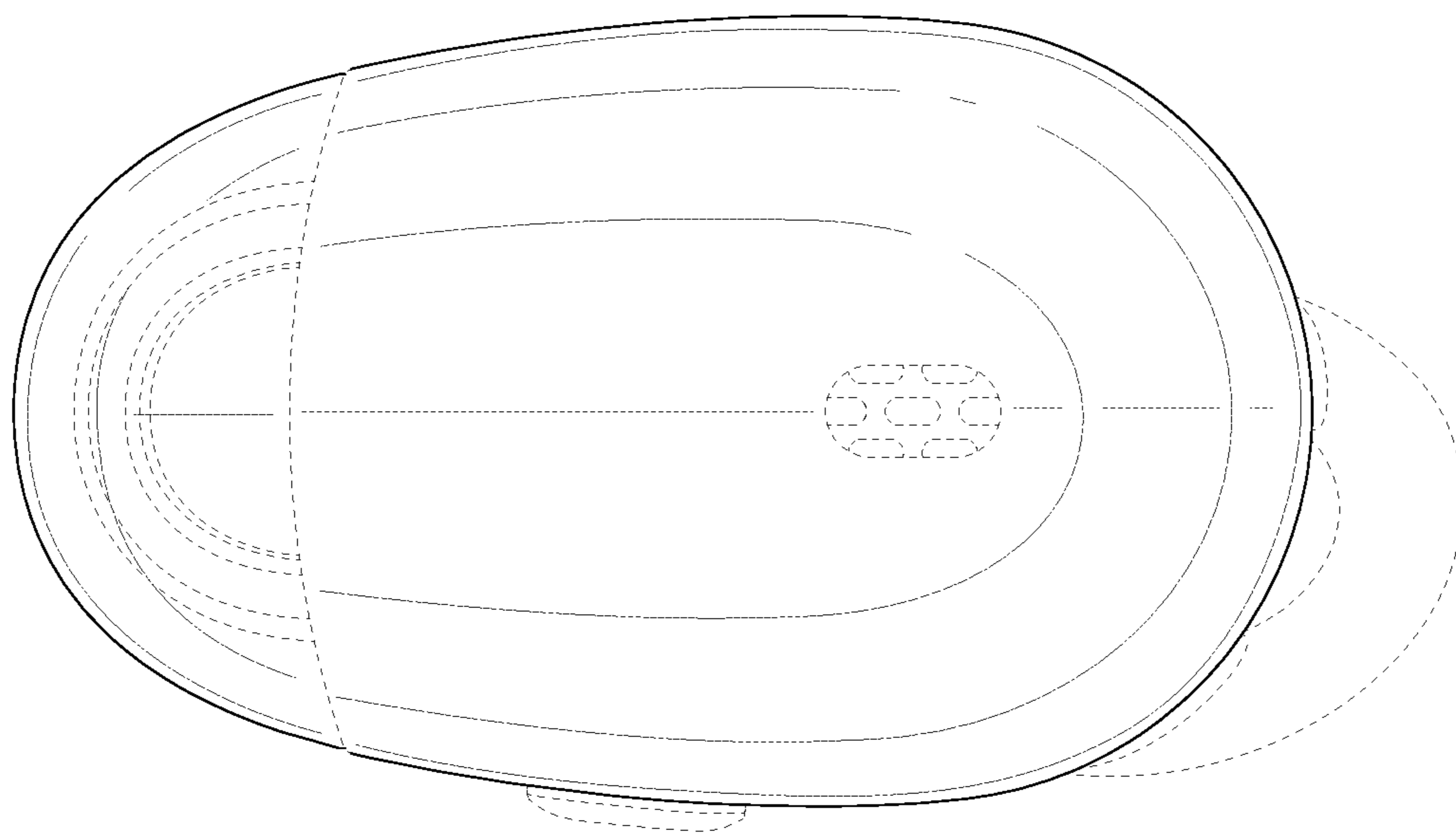


FIG.10

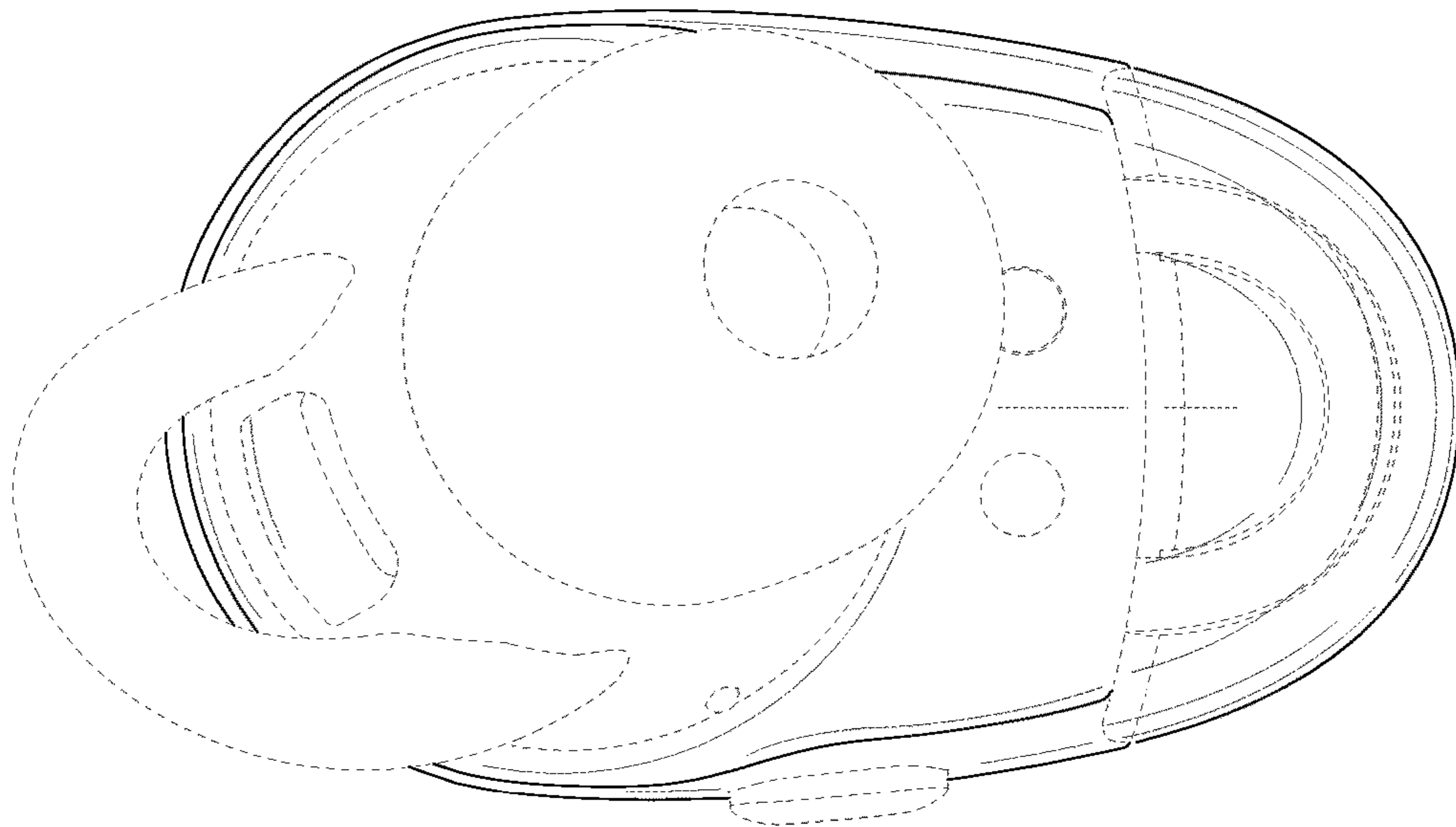


FIG. 11

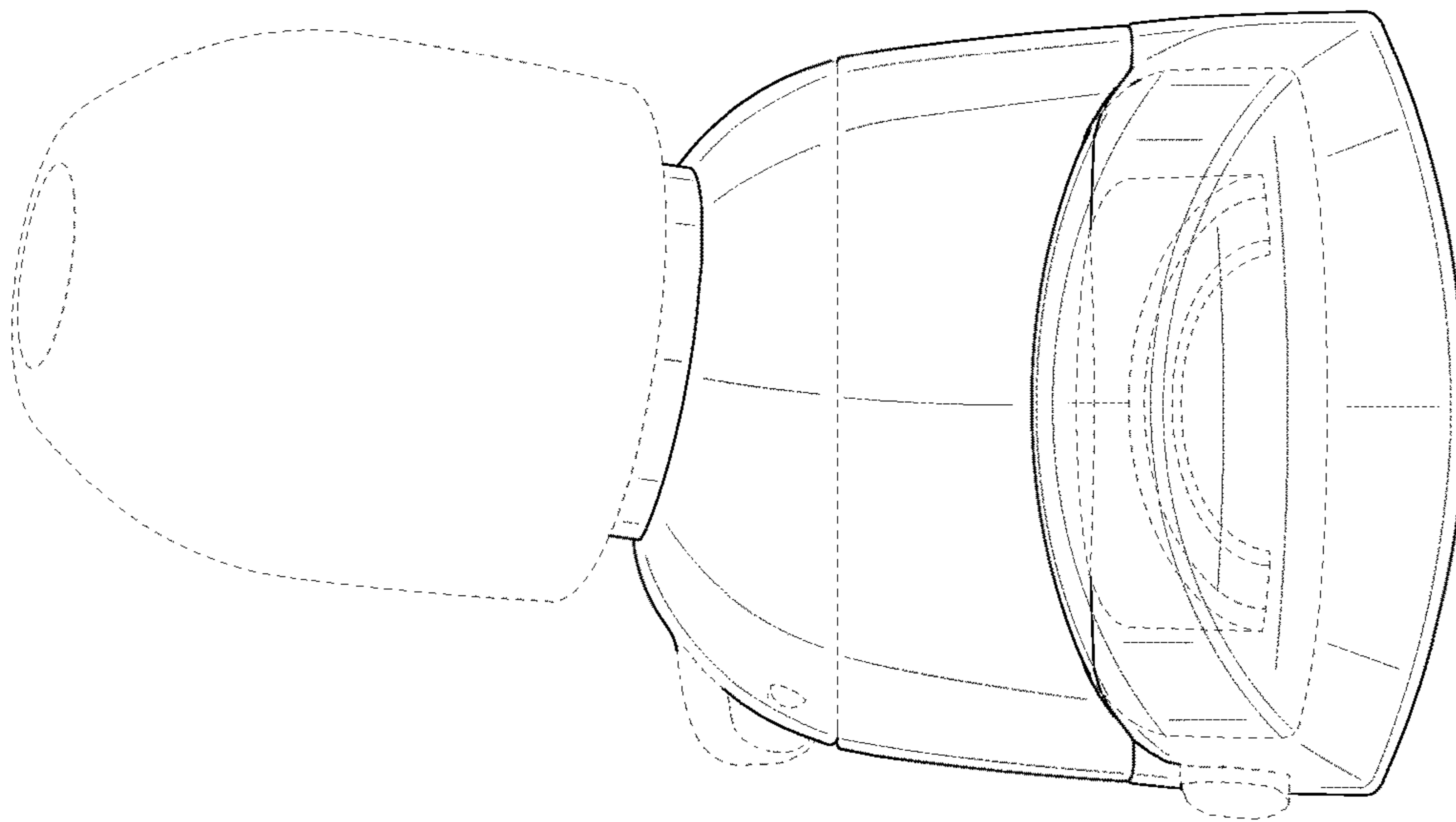


FIG.12

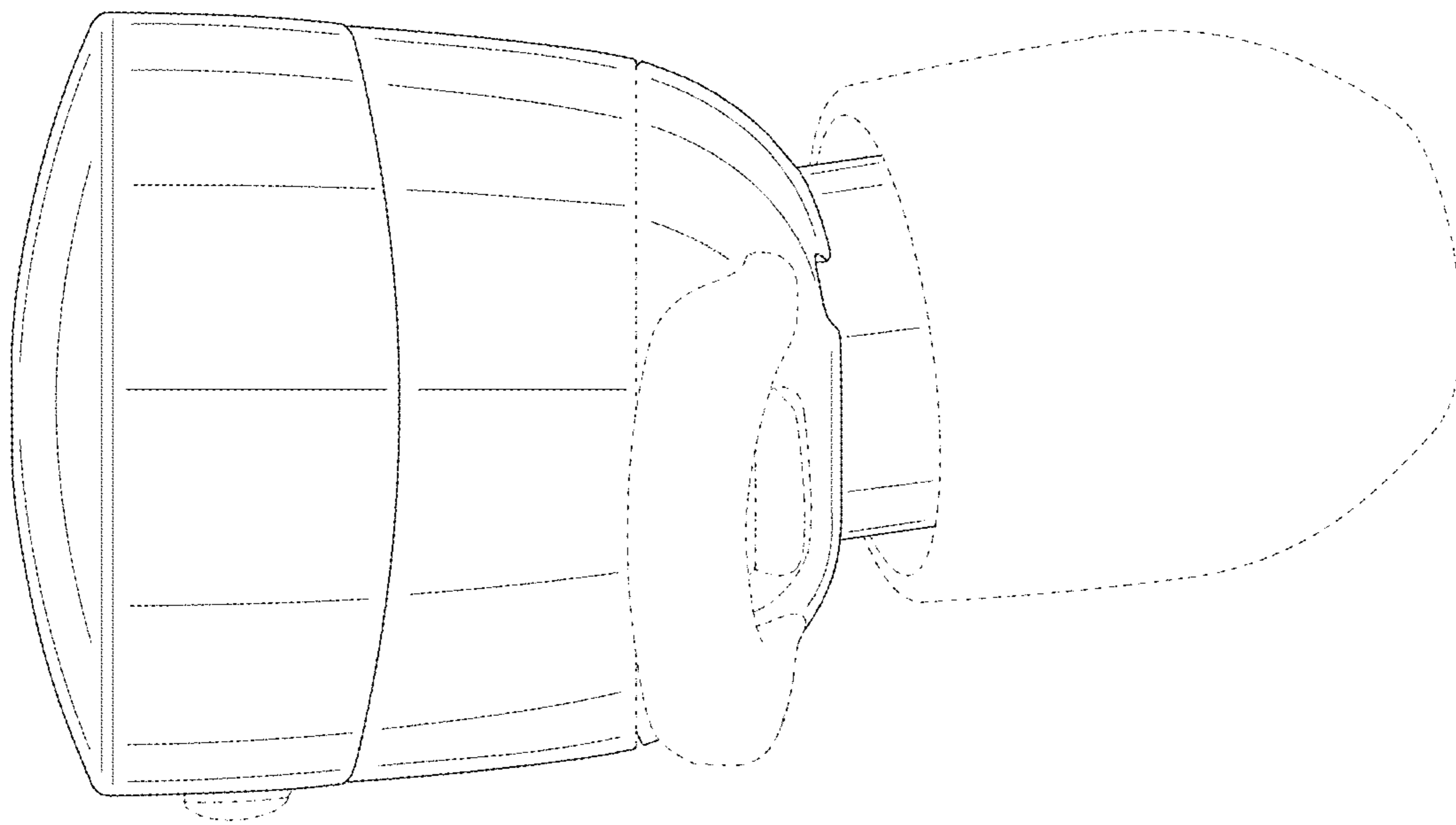


FIG. 13

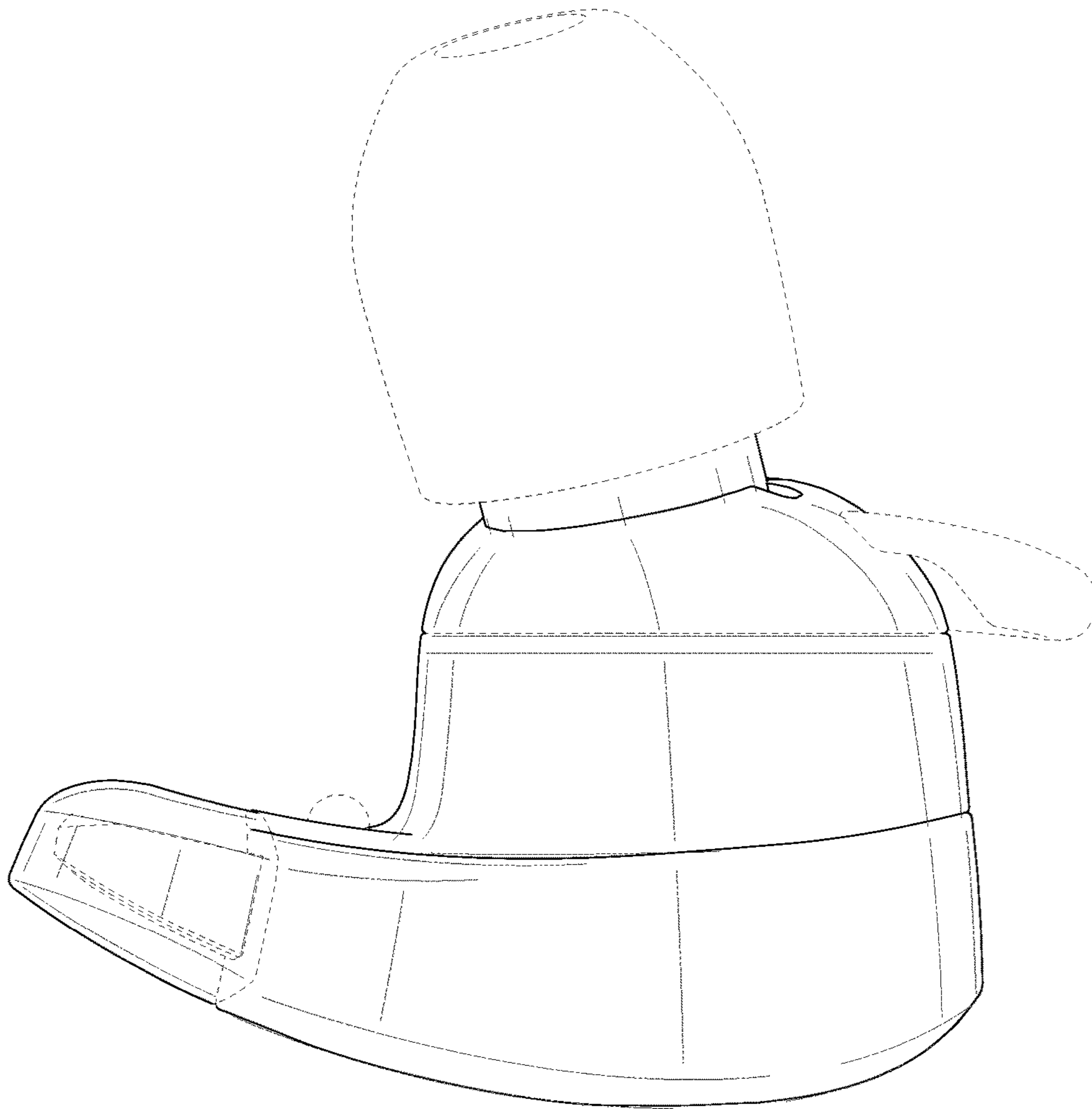


FIG.14

