



US00D843352S

(12) **United States Design Patent**
Lee et al.

(10) **Patent No.:** **US D843,352 S**
(45) **Date of Patent:** **** Mar. 19, 2019**

- (54) **EARTIP FOR EARPHONE**
- (71) Applicant: **Samsung Electronics Co., Ltd.**,
Suwon-si (KR)
- (72) Inventors: **Kieon Lee**, Seoul (KR); **James Chung**,
Gwacheon-si (KR); **Junghyuck Im**,
Yongin-si (KR)
- (73) Assignee: **Samsung Electronics Co., Ltd.**,
Suwon-si (KR)

D655,693 S *	3/2012	Silvestri	D14/223
D664,124 S *	7/2012	Smith	D14/223
D716,770 S *	11/2014	Bonahoom	D14/223
9,900,681 B2 *	2/2018	Hayden	H04R 1/105
D814,443 S *	4/2018	Sandanger	A61F 11/08
			D14/223
D818,989 S *	5/2018	Silva	D14/205
D820,239 S *	6/2018	Yoshimura	D14/223
D822,646 S *	7/2018	Dang	D14/223
D828,825 S *	9/2018	Samrelius	D14/223
D828,826 S *	9/2018	Schaal	D14/223

(**) Term: **15 Years**

(21) Appl. No.: **29/580,798**

(22) Filed: **Oct. 13, 2016**

(30) **Foreign Application Priority Data**

Jun. 30, 2016 (KR) 30-2016-0032007

(51) **LOC (11) Cl.** **14-01**

(52) **U.S. Cl.**
USPC **D14/223**

(58) **Field of Classification Search**
USPC ... D14/169, 188, 195, 203.6, 216, 243, 265;
D29/112
CPC H04R 1/1066; H04R 1/1016; H04R 25/00;
H04R 1/10; H04R 5/0335; H04R 5/033
See application file for complete search history.

(56) **References Cited**

U.S. PATENT DOCUMENTS

D469,755 S *	2/2003	Hlas	D14/223
D621,817 S	8/2010	Brickstad	
D622,265 S *	8/2010	Rye	D14/223
D628,188 S	11/2010	Koch	
D645,458 S	9/2011	Silvestri et al.	

FOREIGN PATENT DOCUMENTS

EM 001190318-0001 3/2010

* cited by examiner

Primary Examiner — Michael A. Pratt
(74) *Attorney, Agent, or Firm* — NSIP Law

(57) **CLAIM**

We claim the ornamental design for an eartip for earphone, as shown and described.

DESCRIPTION

FIG. 1 is a front perspective view of an eartip for earphone showing our new design;
FIG. 2 is a front view thereof;
FIG. 3 is a rear view thereof;
FIG. 4 is a left-side view thereof;
FIG. 5 is a right-side view thereof;
FIG. 6 is a top view thereof;
FIG. 7 is a bottom view thereof; and,
FIG. 8 is a front perspective view of an eartip for earphone shown in an example environment.
The broken lines in the figures depict environmental subject matter and form no part of the claimed design.

1 Claim, 8 Drawing Sheets

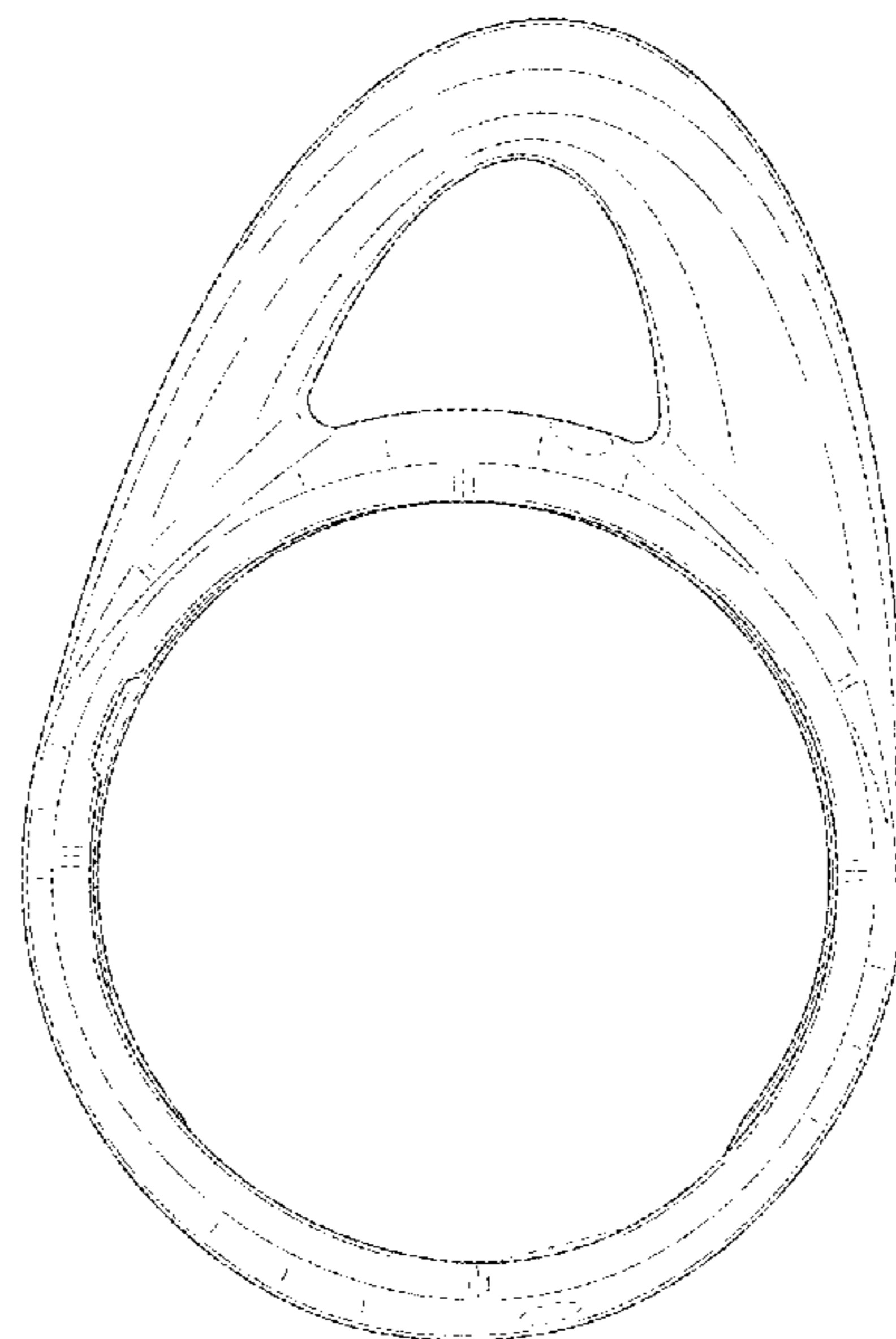
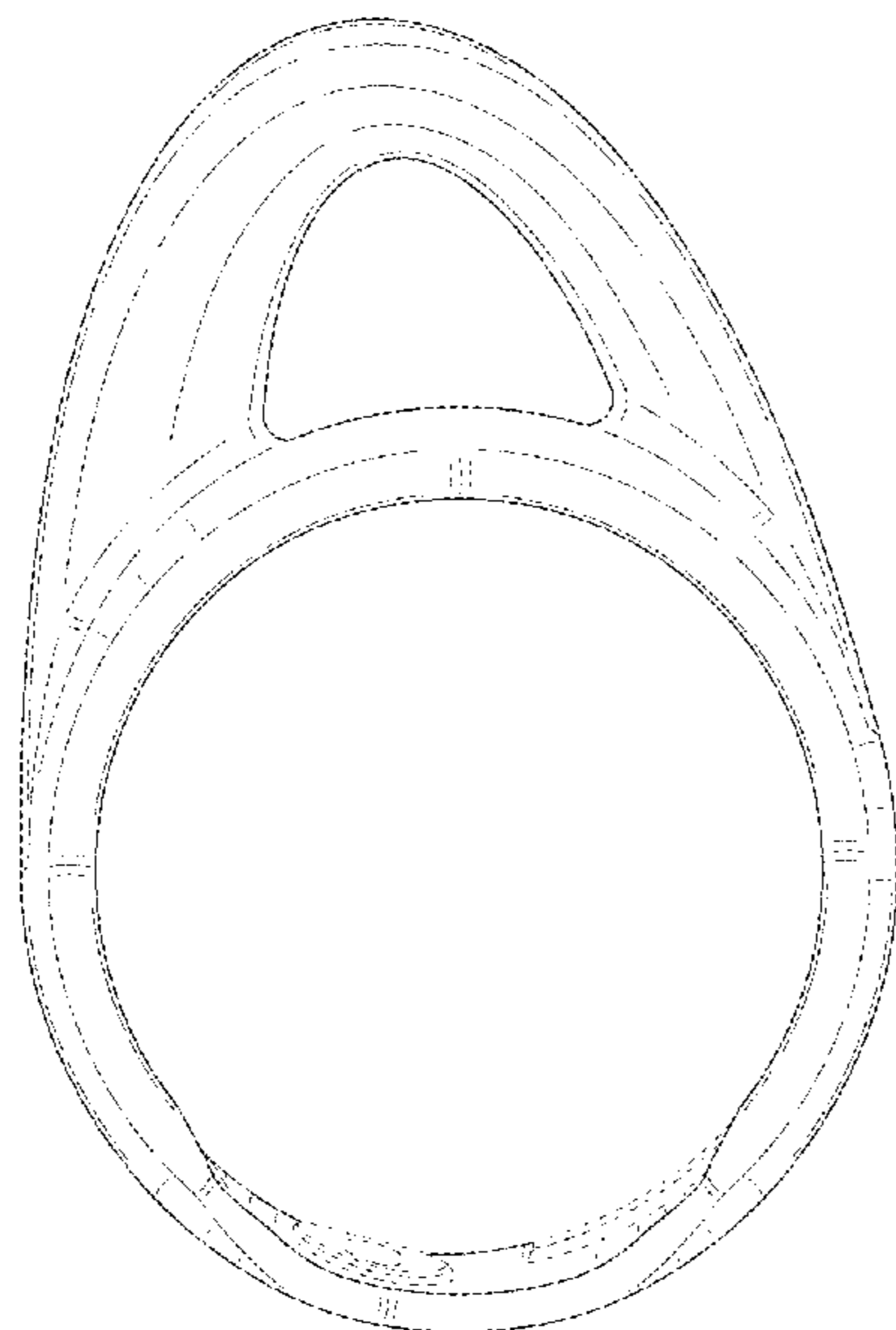


FIG. 1

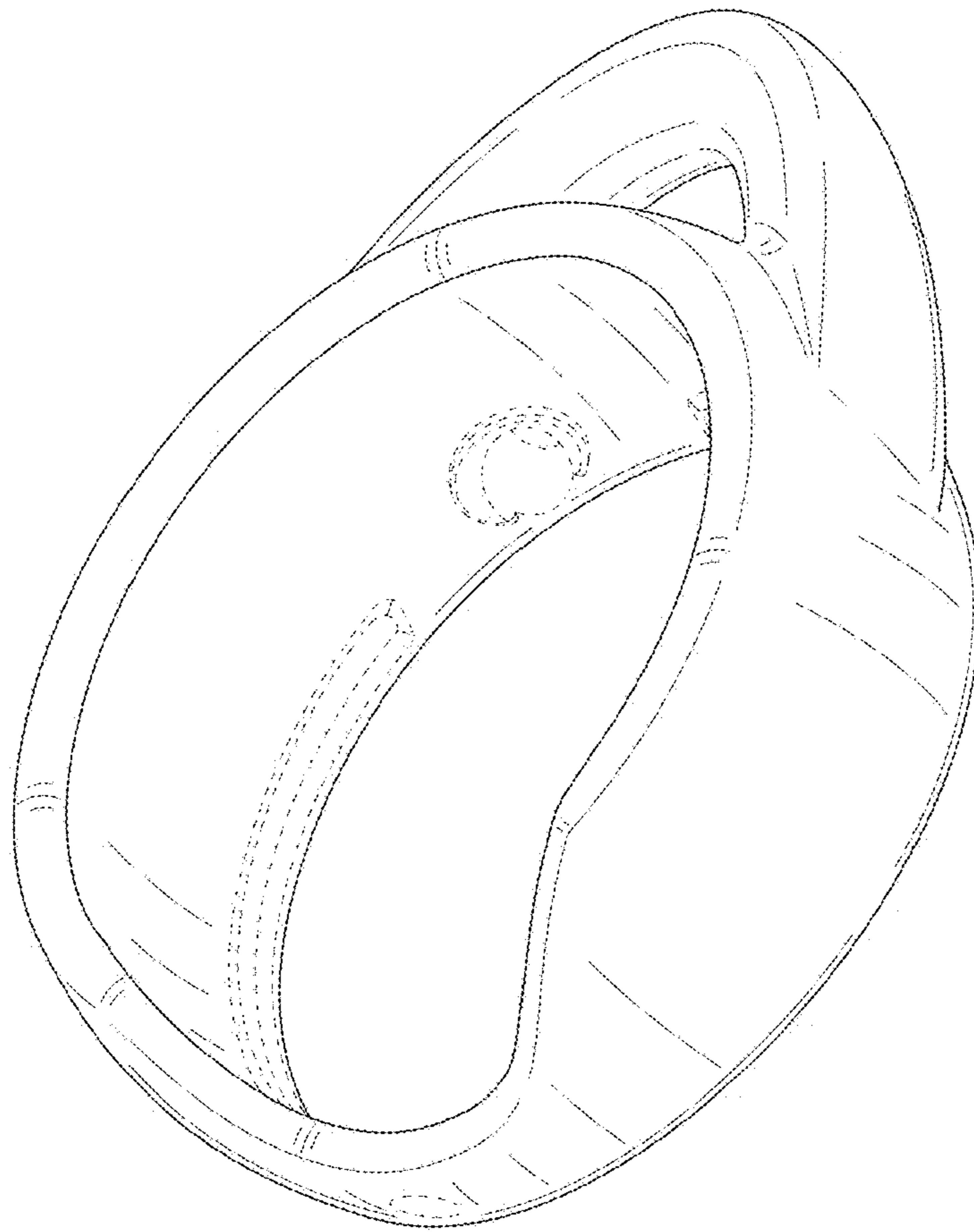


FIG. 2

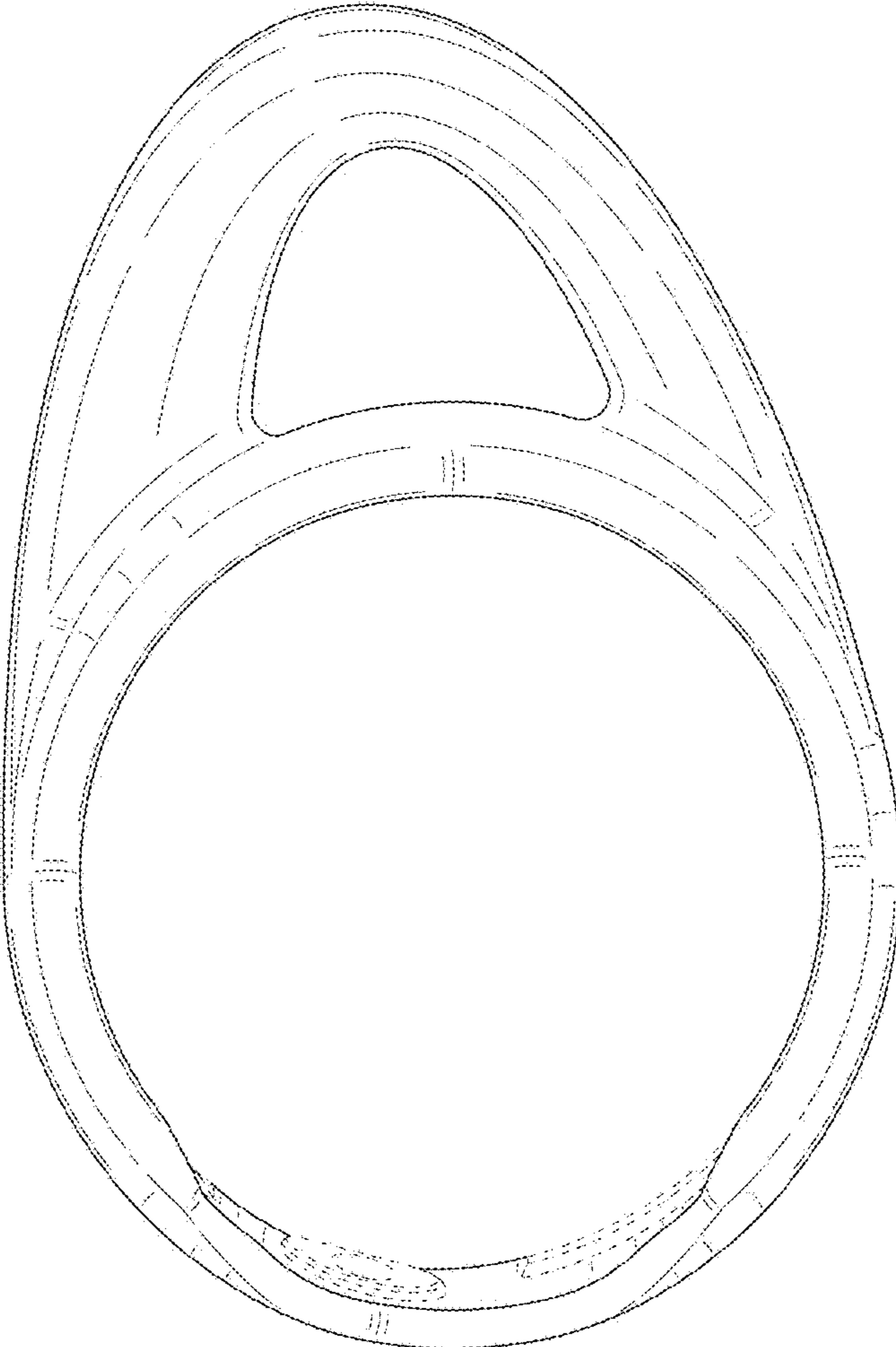


FIG. 3

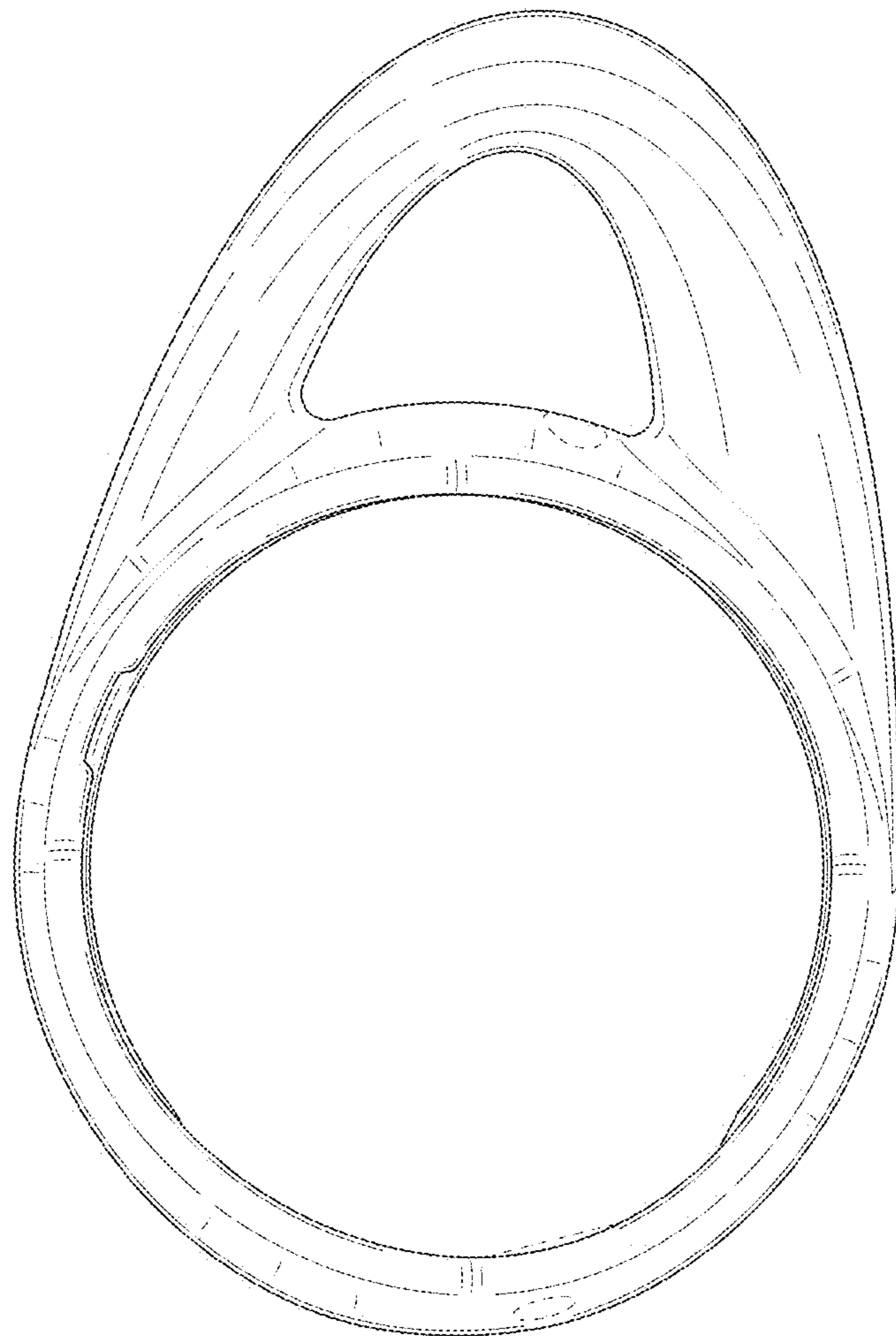


FIG. 4

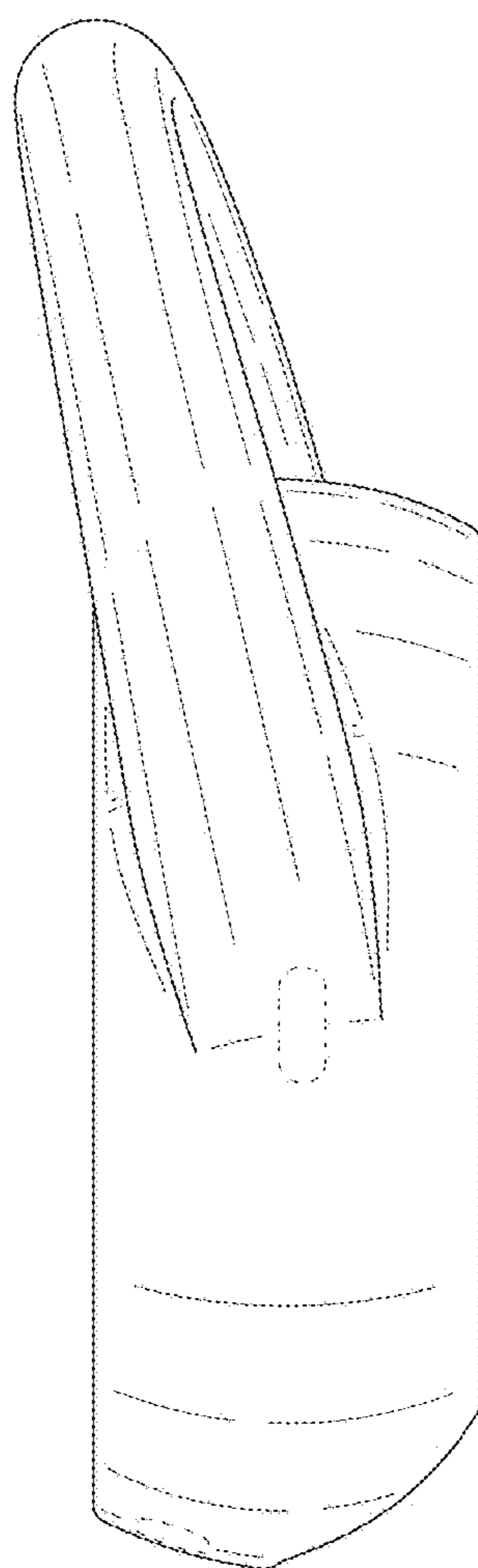


FIG. 5

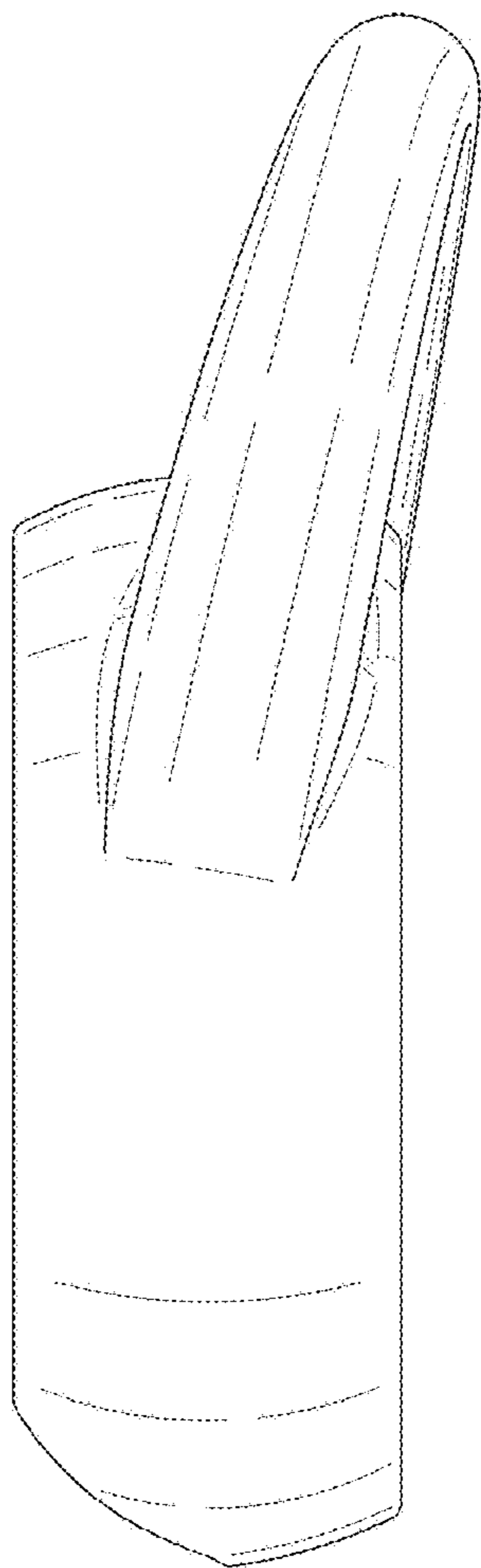


FIG. 6

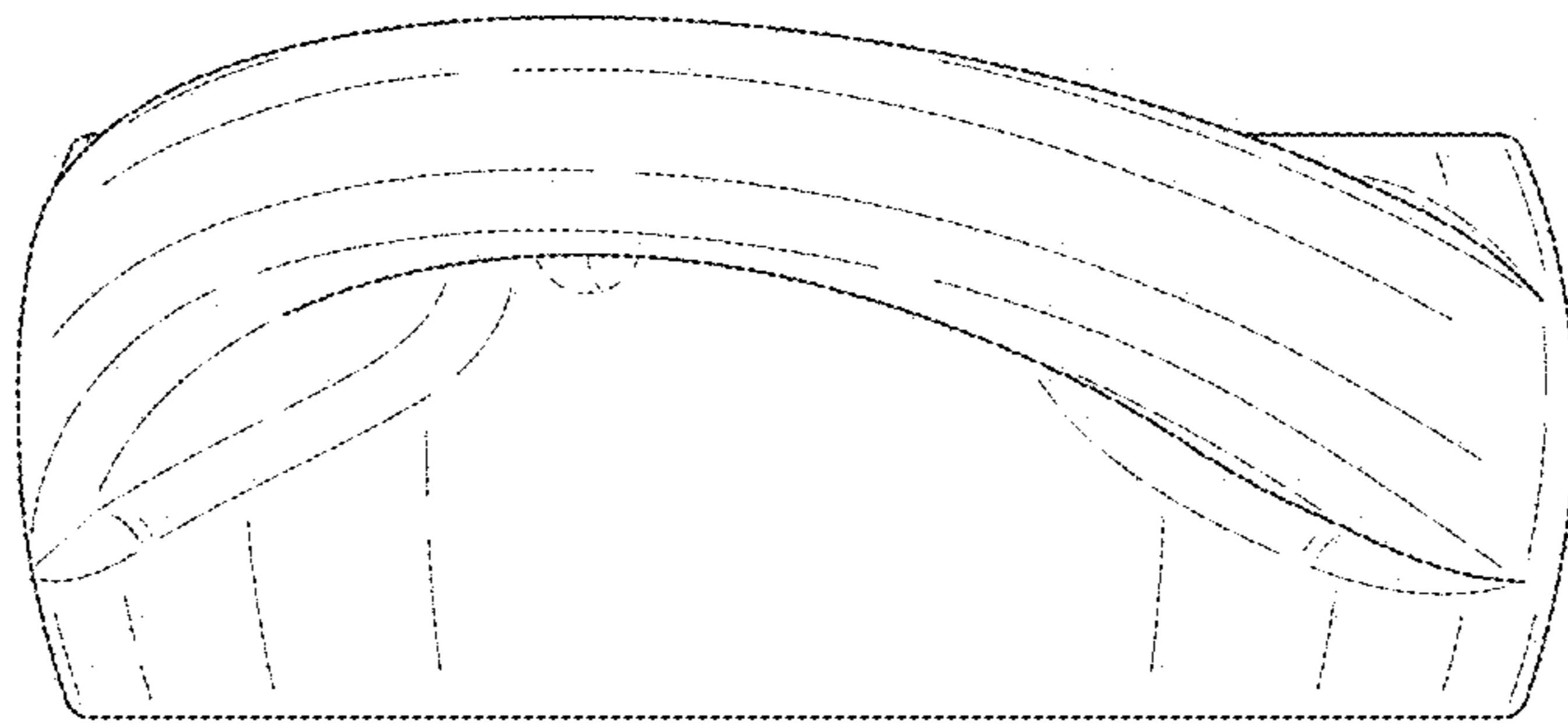


FIG. 7

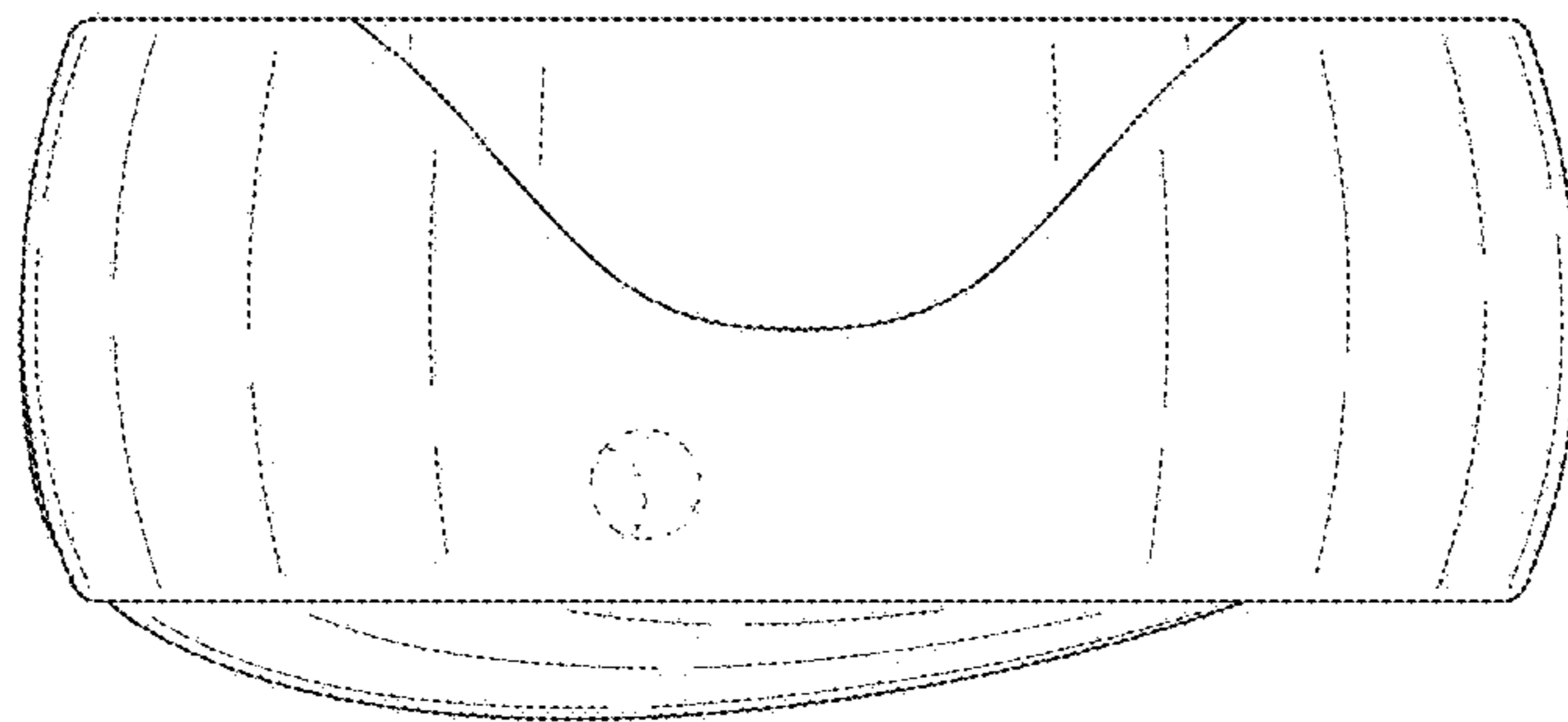


FIG. 8

