



US00D843351S

(12) **United States Design Patent** (10) **Patent No.:** **US D843,351 S**  
**Osborn et al.** (45) **Date of Patent:** **\*\* Mar. 19, 2019**

(54) **BATTERY-POWERED SPEAKER FOR HANDHELD DEVICES**

(71) Applicant: **Zagg Amplified, Inc.**, Midvale, UT (US)

(72) Inventors: **Warren Robert Osborn**, Provo, UT (US); **John Craig Cheney**, Orem, UT (US)

(73) Assignee: **ZAGG Amplified, Inc.**, Midvale, UT (US)

(\*\*) Term: **15 Years**

(21) Appl. No.: **29/543,593**

(22) Filed: **Oct. 26, 2015**

**Related U.S. Application Data**

(63) Continuation of application No. 29/506,253, filed on Oct. 14, 2014, now Pat. No. Des. 741,839, which is a (Continued)

(51) **LOC (11) Cl.** ..... **14-03**

(52) **U.S. Cl.**  
USPC ..... **D14/214**

(58) **Field of Classification Search**  
USPC ..... D14/167, 168, 170–172, 188, 194–196, D14/204, 207, 209.1, 210–216, 221, 222, D14/224, 219

(Continued)

(56) **References Cited**

**U.S. PATENT DOCUMENTS**

D247,052 S \* 1/1978 DeMyer ..... D30/114  
D268,786 S \* 4/1983 Galindo ..... D25/125

(Continued)

*Primary Examiner* — Keli L Hill

(74) *Attorney, Agent, or Firm* — Durham Jones & Pinegar; Sarah W. Matthews

(57) **CLAIM**

We claim the ornamental design for a battery-powered speaker for handheld devices, as shown and described.

**DESCRIPTION**

FIG. 1 is an isometric view of the battery-powered speaker for handheld devices, showing primarily the top, front and right side thereof;

FIG. 2 is an isometric view of the battery-powered speaker for handheld devices, showing primarily the top, front and left side thereof;

FIG. 3 is an isometric view of the battery-powered speaker for handheld devices, showing primarily the bottom, front and left side thereof;

FIG. 4 is an isometric view of the battery-powered speaker for handheld devices, showing primarily the bottom, front and right side thereof;

FIG. 5 is a front elevational view of the battery-powered speaker for handheld devices;

FIG. 6 is a rear elevational view of the battery-powered speaker for handheld devices;

FIG. 7 is a top plan view of the battery-powered speaker for handheld devices;

FIG. 8 is a left-side elevational view of the battery-powered speaker for handheld devices;

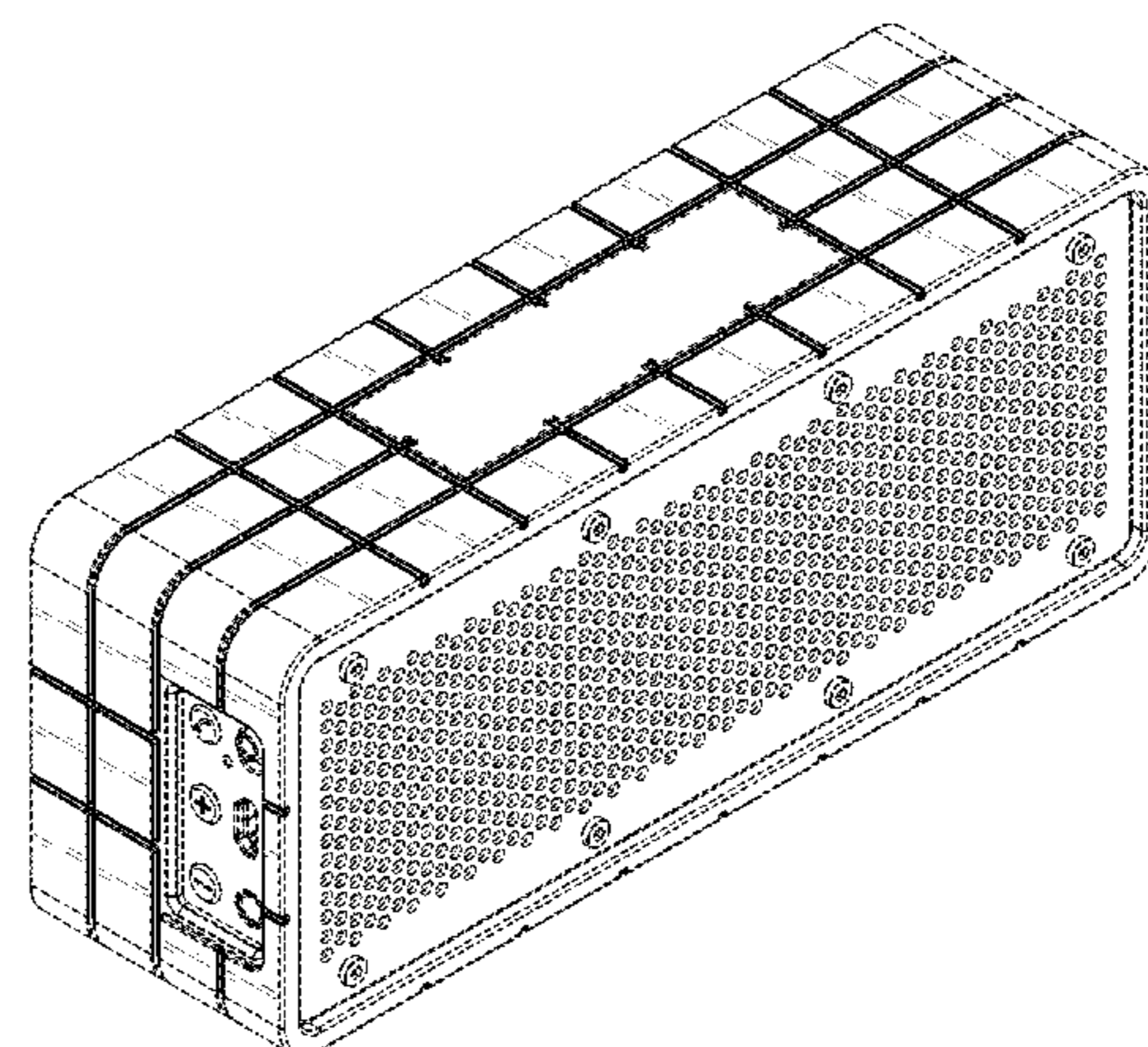
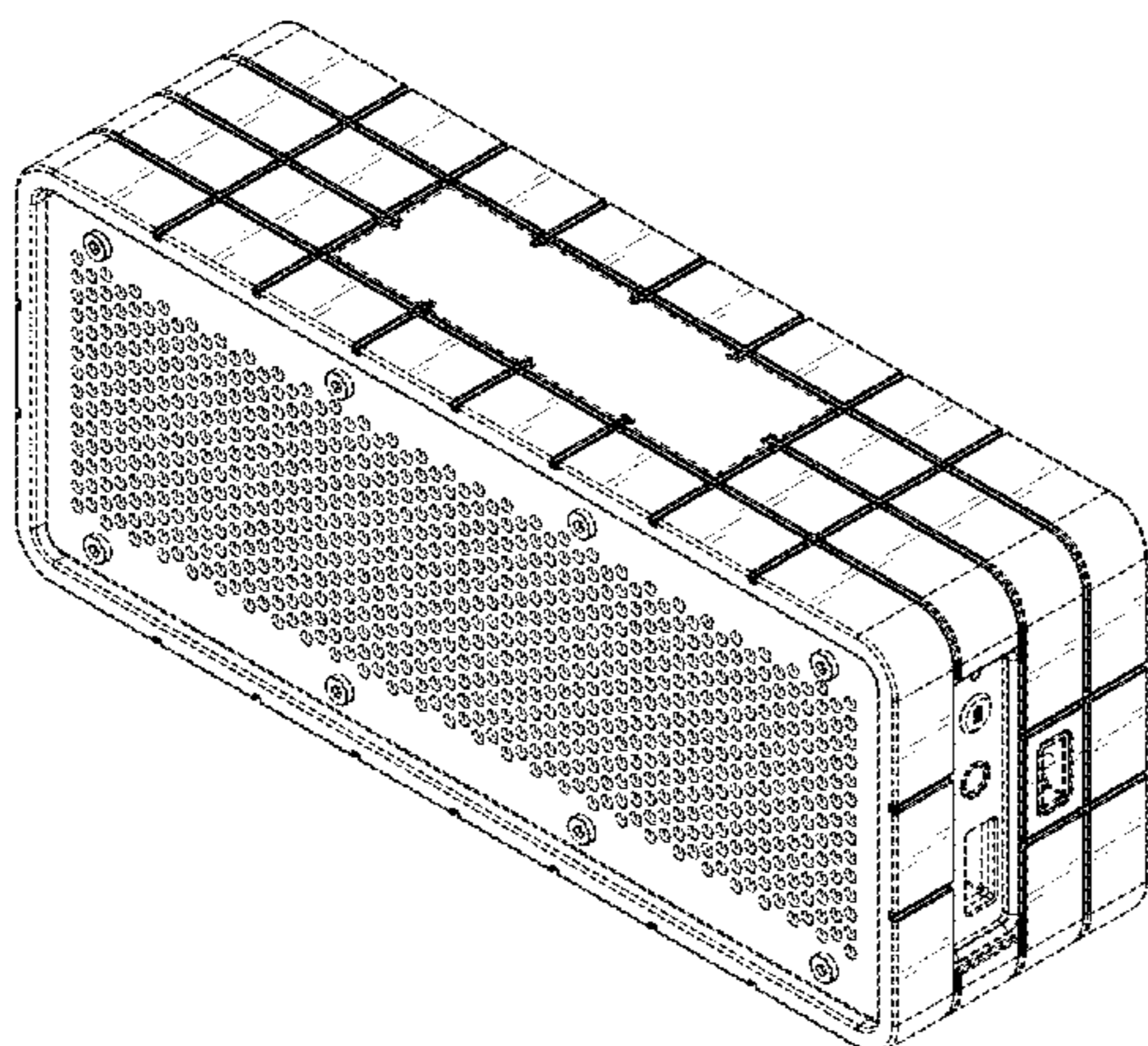
FIG. 9 is a bottom plan view of the battery-powered speaker for handheld devices;

FIG. 10 is a right-side elevational view of the battery-powered speaker for handheld devices; and,

FIG. 11 is an enlarged view of the ellipsoidal portion, 11, of FIG. 7.

The broken lines immediately adjacent the shaded areas represent the bounds of the claimed design while all other broken lines are included for the purpose of illustrating portions of the battery-powered speaker for handheld devices; the broken lines form no part of the claimed design.

**1 Claim, 9 Drawing Sheets**



**Related U.S. Application Data**

continuation of application No. 29/453,975, filed on May 3, 2013, now Pat. No. Des. 715,258.

(58) **Field of Classification Search**

CPC ..... B60R 11/0217; H04M 1/03; H04M 1/035; H04N 5/642; H04N 21/4852; H04R 1/02; H04R 1/06; H04R 1/021; H04R 1/025; H04R 1/026; H04R 1/028; H04R 1/105; H04R 1/323; H04R 1/403; H04R 1/2803; H04R 1/2834; H04R 5/02; H04R 7/20; H04R 9/06; H04R 9/025; H04R 2201/021; H04R 2400/00; H04R 2400/07; H04R 2499/11; H04R 2499/13; H04R 2499/15; H04S 3/00; H04S 7/30; G06F 1/1688

See application file for complete search history.

(56) **References Cited**

U.S. PATENT DOCUMENTS

D558,788 S \* 1/2008 Yu ..... D14/496  
 D579,915 S \* 11/2008 Yeo ..... D14/214

D589,222 S \* 3/2009 Gicela ..... D32/55  
 D597,064 S \* 7/2009 Machida ..... D14/167  
 D621,384 S \* 8/2010 Kao ..... D14/214  
 D636,759 S \* 4/2011 Chen ..... D14/214  
 D665,424 S \* 8/2012 Ledbetter ..... D14/203.3  
 D684,560 S \* 6/2013 Lee ..... D14/209.1  
 D695,710 S \* 12/2013 Szymanski ..... D14/214  
 D704,678 S \* 5/2014 Katsumata ..... D14/203.1  
 D706,300 S \* 6/2014 Akana ..... D14/341  
 D706,747 S \* 6/2014 Yoshimura ..... D14/209.1  
 D707,203 S \* 6/2014 Xie ..... D14/204  
 D708,228 S \* 7/2014 Fustino ..... D14/203.1  
 D710,328 S \* 8/2014 Kim ..... D14/212  
 D710,829 S \* 8/2014 Loudon ..... D14/219  
 D715,258 S \* 10/2014 Osborn ..... D14/212  
 D719,932 S \* 12/2014 Osborn ..... D14/214  
 D721,350 S \* 1/2015 Kim ..... D14/188  
 D721,738 S \* 1/2015 Hochman ..... D14/496  
 D728,513 S \* 5/2015 Lin ..... D14/207  
 D739,386 S \* 9/2015 Gattinger ..... D14/210  
 D746,255 S \* 12/2015 Tze-Yen ..... D14/204  
 D756,327 S \* 5/2016 Conti ..... D14/204  
 D767,534 S \* 9/2016 Xiong ..... D14/214  
 D771,015 S \* 11/2016 Tang ..... D14/207

\* cited by examiner

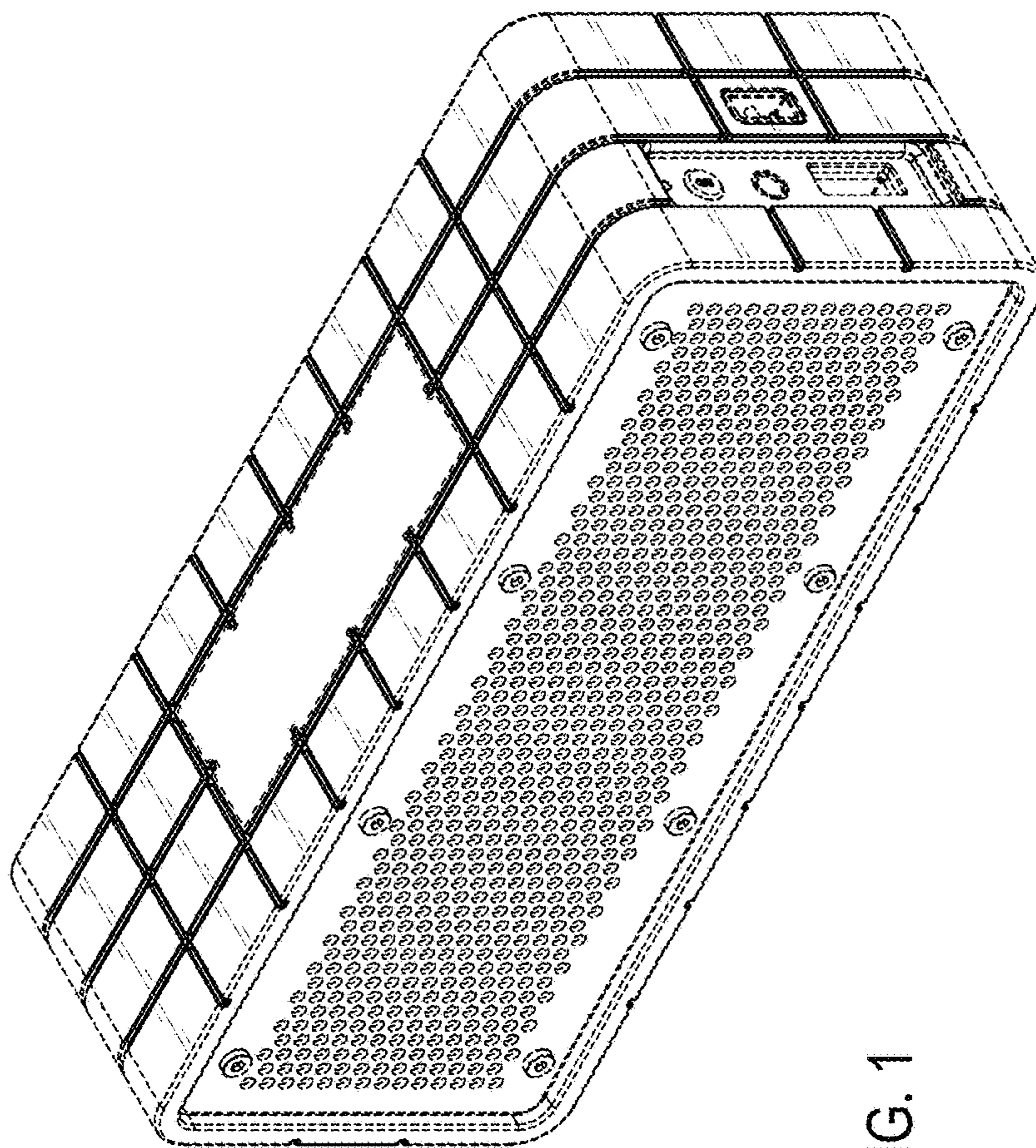


FIG. 1

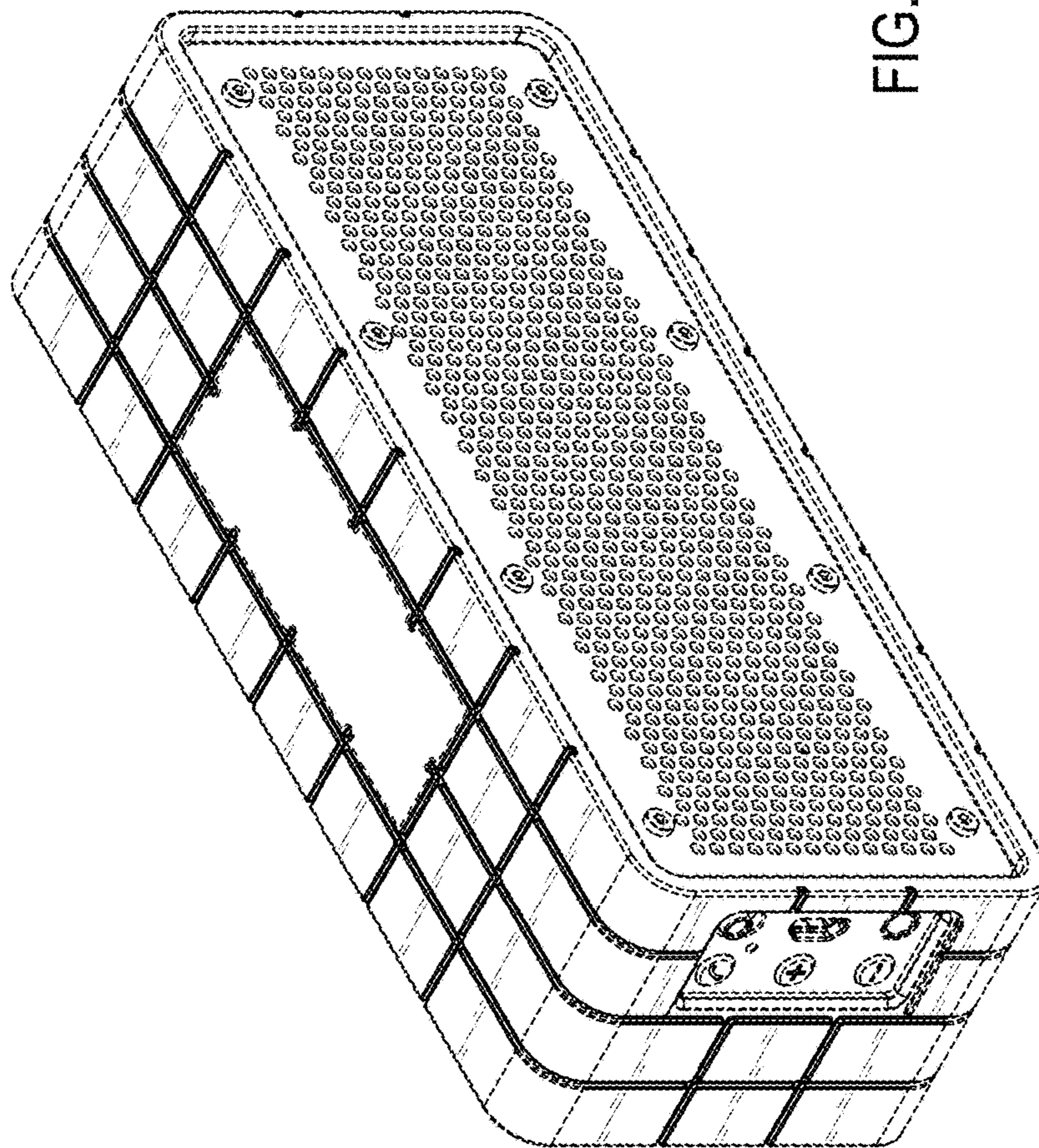


FIG. 2

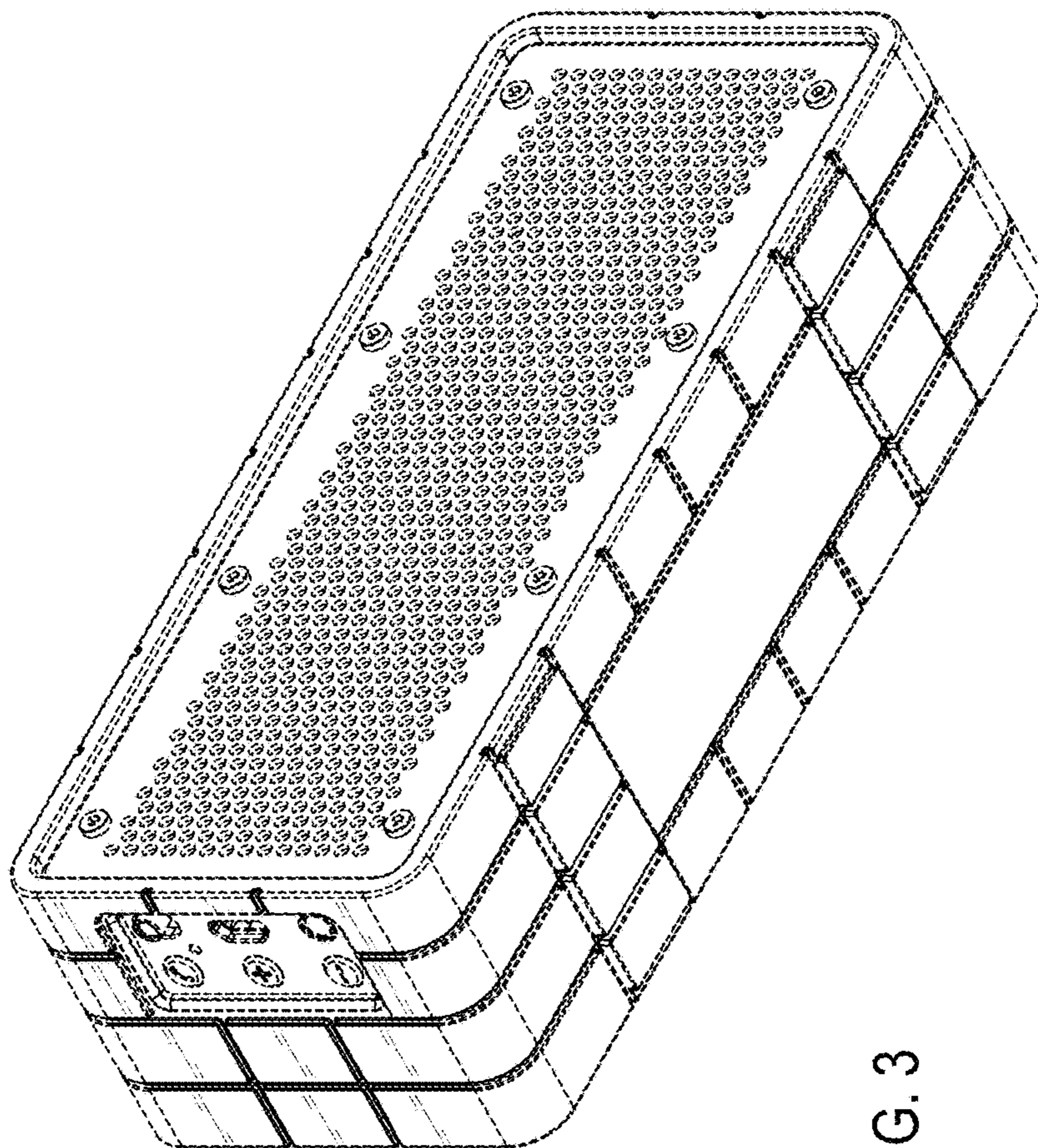


FIG. 3

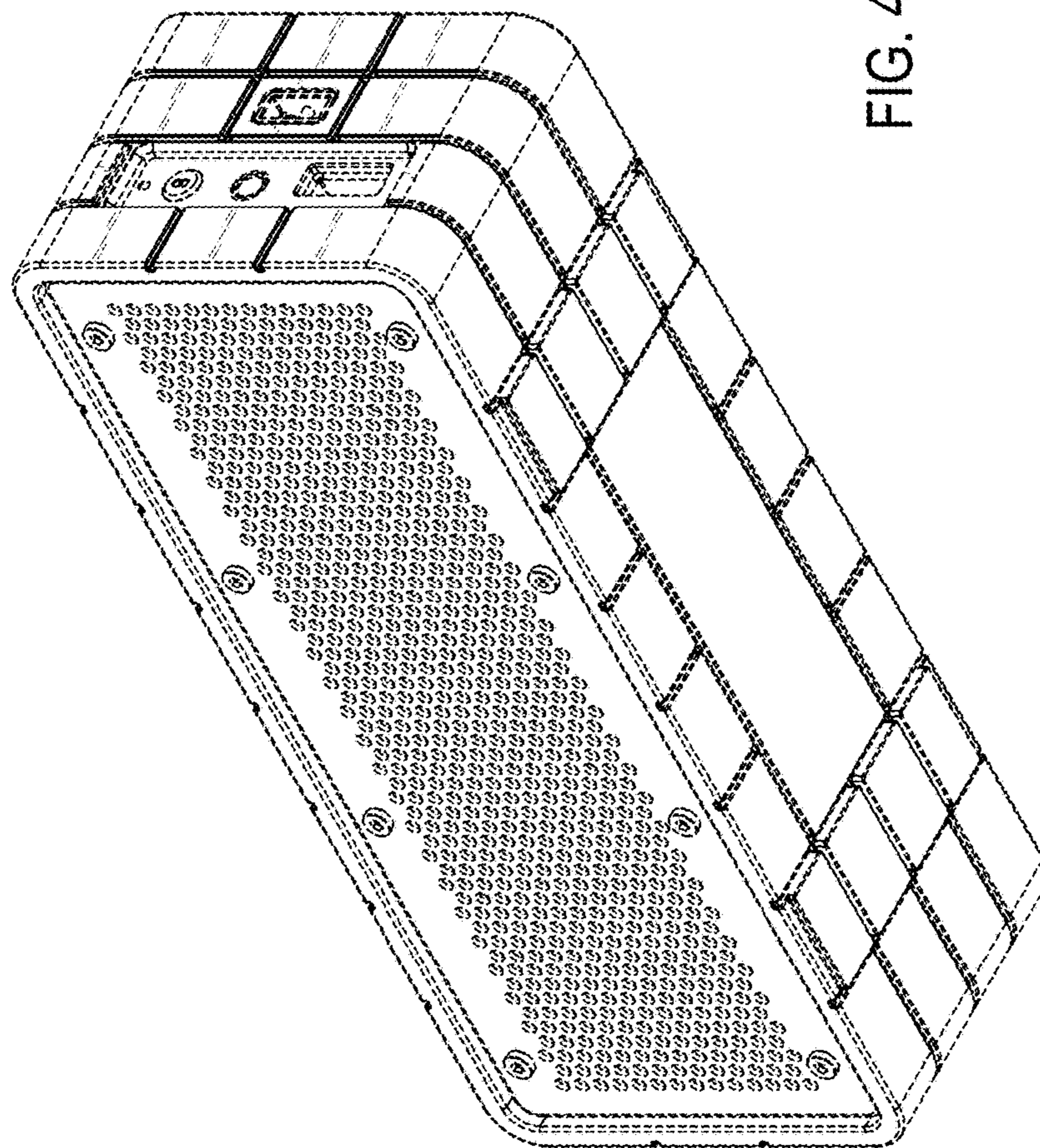


FIG. 4

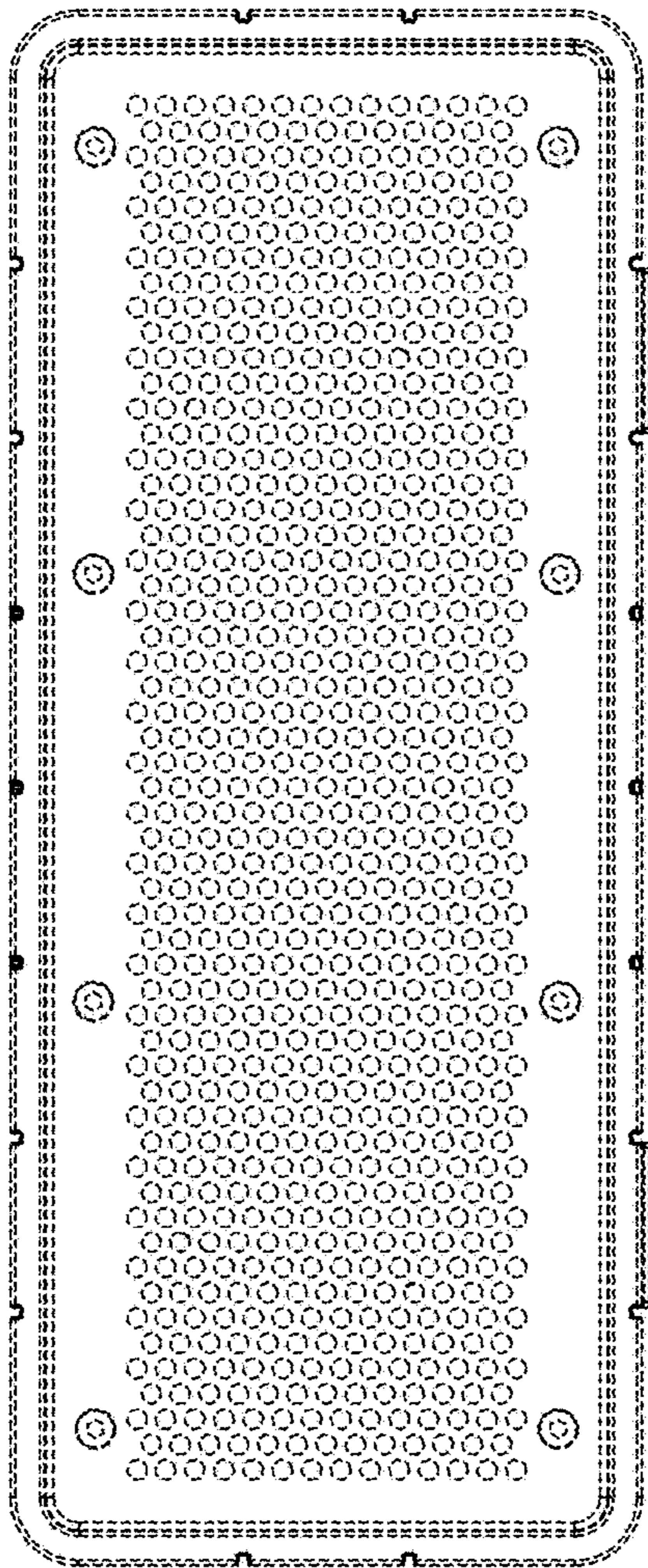


FIG. 5

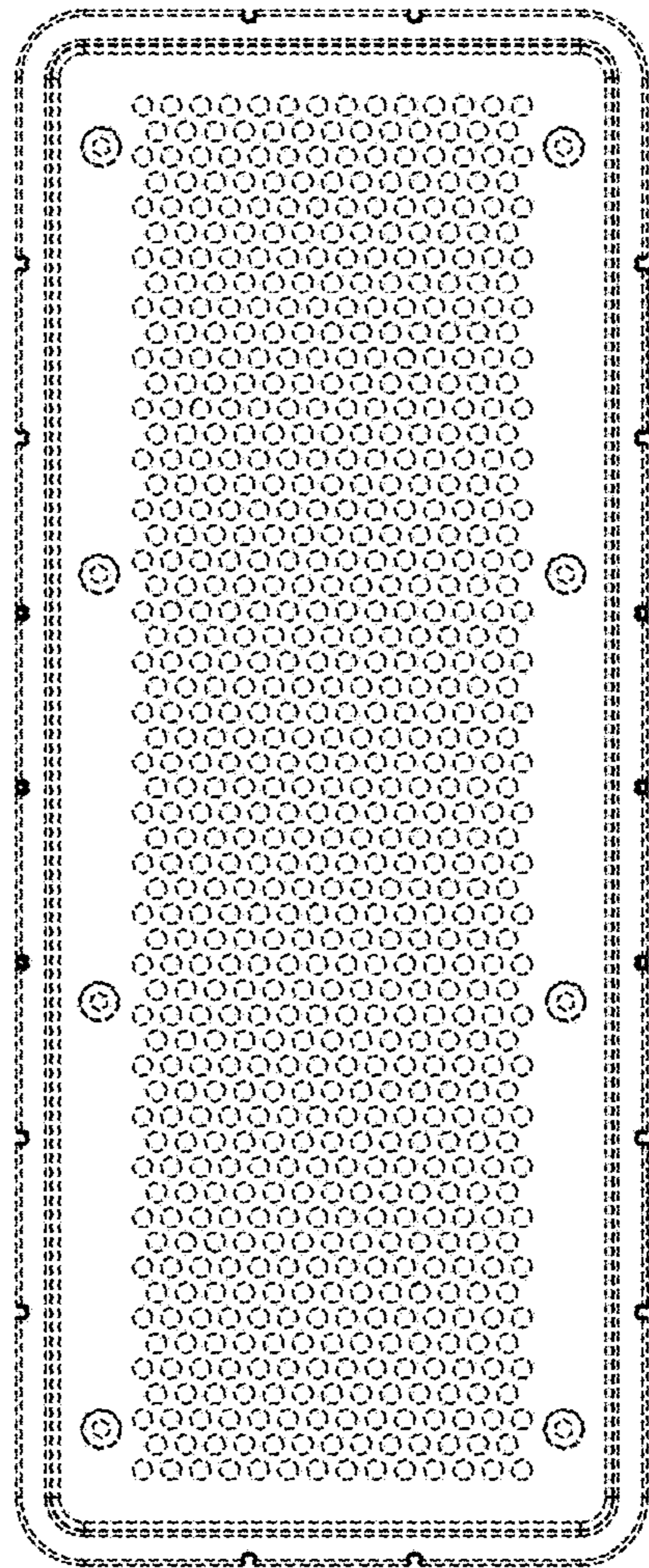


FIG. 6



FIG. 7

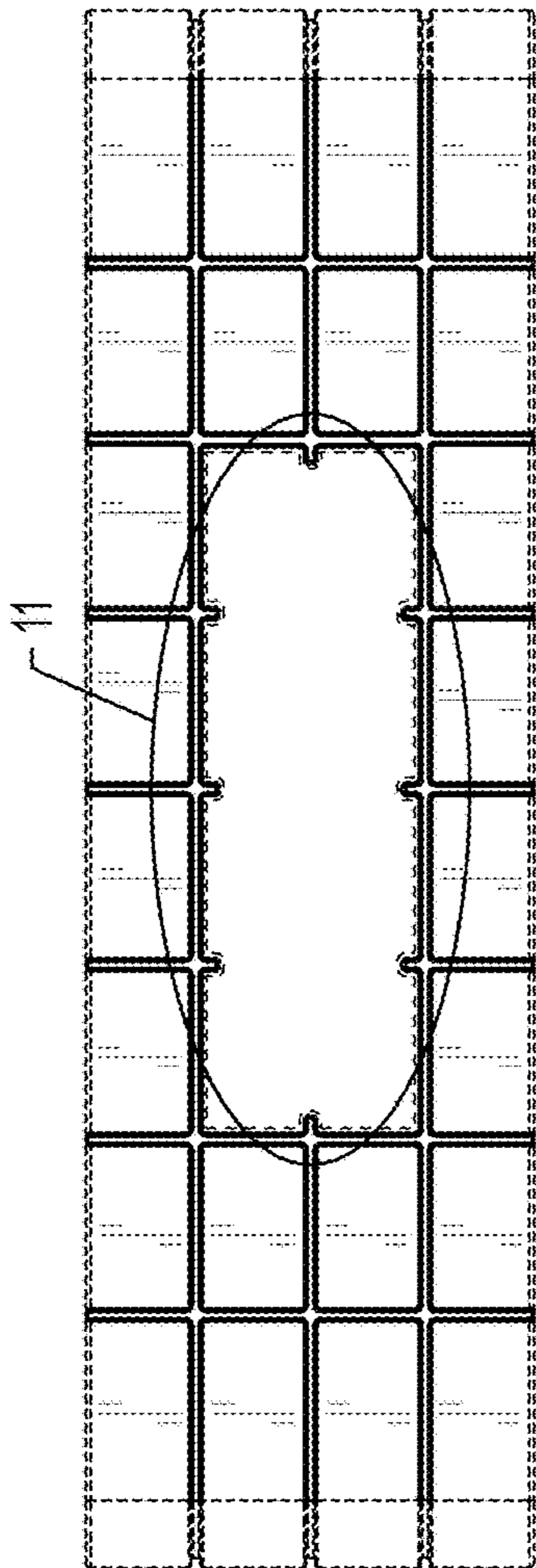


FIG. 8

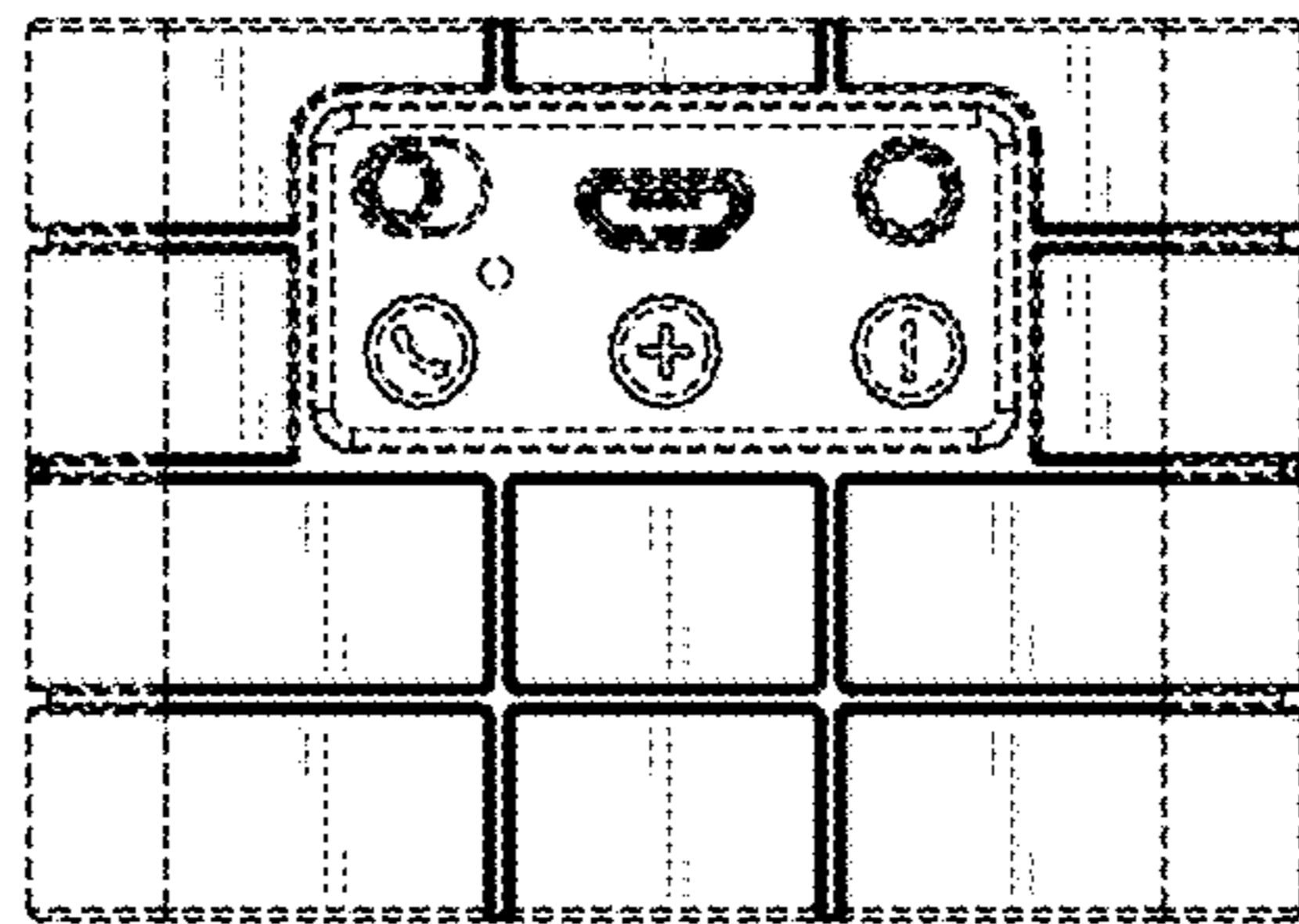


FIG. 9

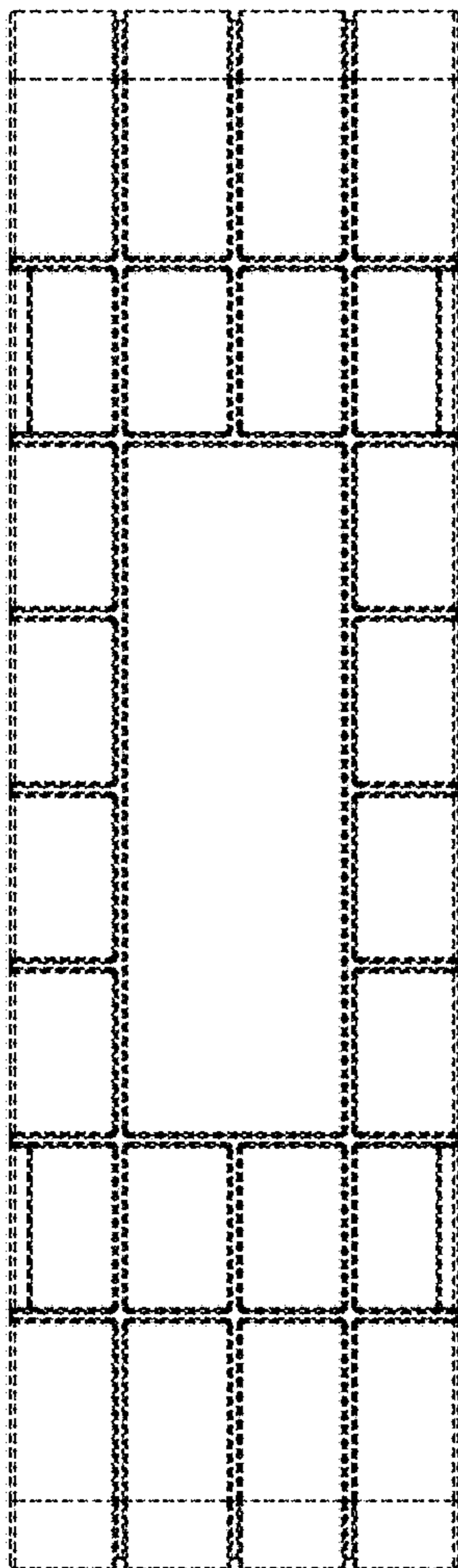
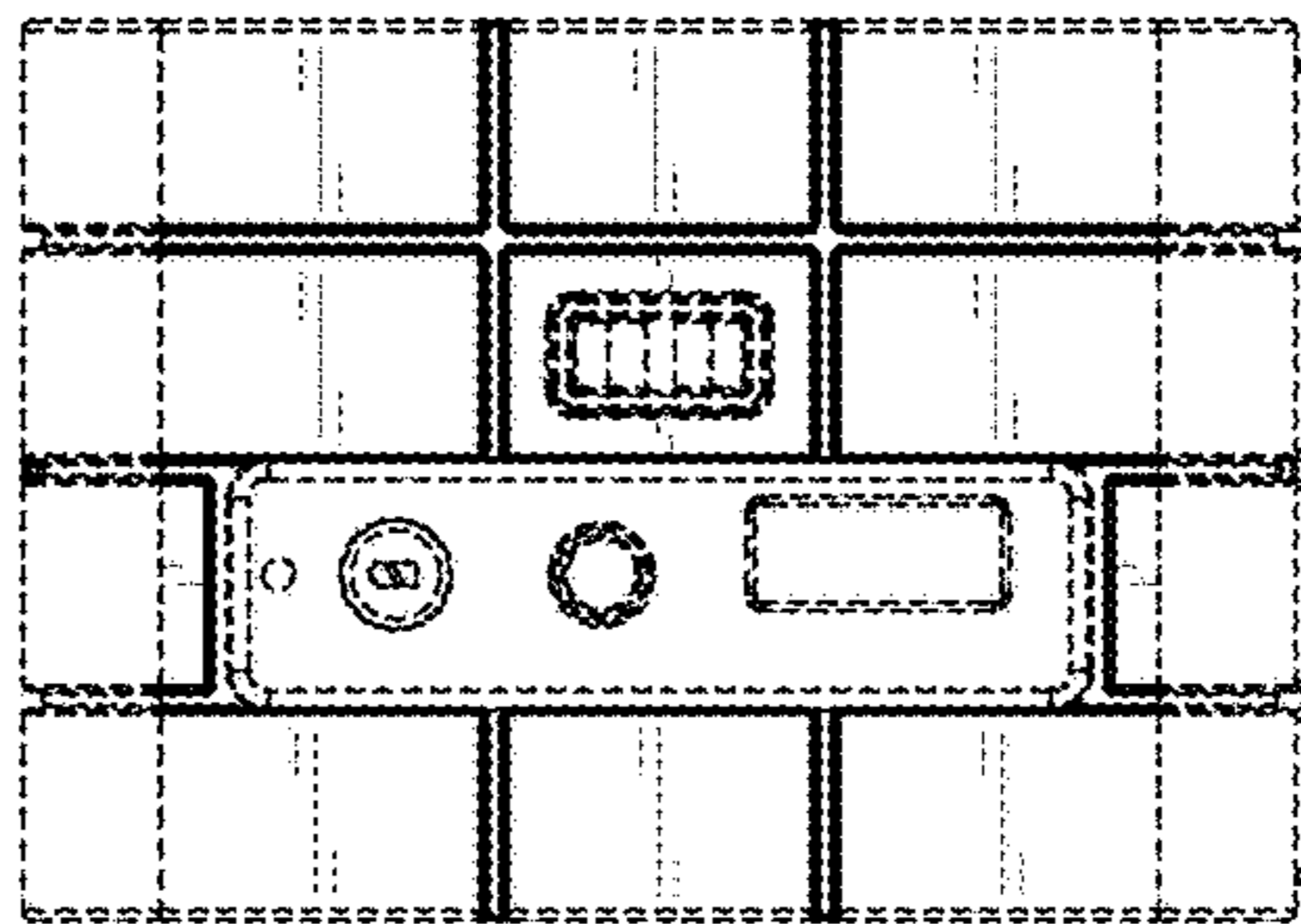


FIG. 10



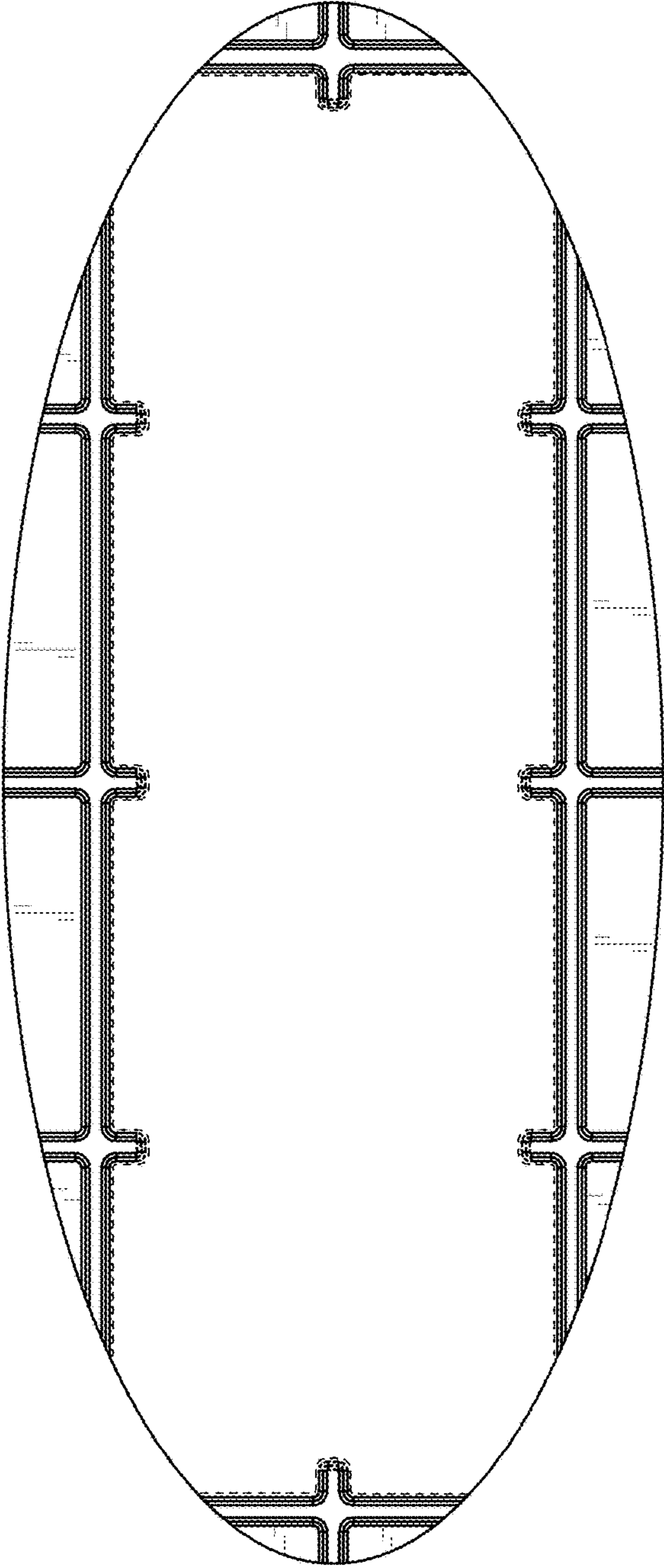


FIG. 11