



US00D843349S

(12) **United States Design Patent**  
**Burgess et al.**

(10) **Patent No.:** **US D843,349 S**  
(45) **Date of Patent:** **\*\* Mar. 19, 2019**

- (54) **HEADPHONE**
- (71) Applicant: **LOGITECH EUROPE, S.A.**,  
Lausanne (CH)
- (72) Inventors: **Jeremy Burgess**, Hayward, CA (US);  
**Adam Barry**, San Francisco, CA (US)
- (73) Assignee: **Logitech Europe S.A.**, Lausanne (CH)
- (\*\*) Term: **15 Years**
- (21) Appl. No.: **29/606,461**
- (22) Filed: **Jun. 5, 2017**
- (51) **LOC (11) Cl.** ..... **14-01**
- (52) **U.S. Cl.**  
USPC ..... **D14/206**
- (58) **Field of Classification Search**  
USPC ..... D14/206, 205, 188, 192, 225, 226;  
D29/112; 2/209; 181/129, 130, 135;  
379/430, 431; 381/380, 381, 370, 374,  
381/375, 378, 379; 455/90.3, 575.1,  
455/569.1  
CPC .... H04R 1/1066; H04R 1/1016; H04R 25/00;  
H04R 5/033; H04R 5/0335  
See application file for complete search history.

- D351,172 S \* 10/1994 Nakamura ..... D14/205
- 5,793,878 A \* 8/1998 Chang ..... H04R 5/0335  
381/370
- 6,724,906 B2 \* 4/2004 Naksen ..... H04R 1/1066  
381/370
- D517,528 S \* 3/2006 Skulley ..... D14/206
- D518,479 S \* 4/2006 Skulley ..... D14/225
- D519,110 S \* 4/2006 Komiyama ..... D14/223
- D542,774 S \* 5/2007 Rausch ..... D14/206
- D576,604 S \* 9/2008 Suzuki ..... D14/205
- D589,492 S \* 3/2009 Mistry ..... D14/205
- D613,266 S \* 4/2010 Barry ..... D14/205
- D623,627 S 9/2010 Alden et al.
- D624,057 S 9/2010 Kelly et al.
- D635,958 S \* 4/2011 Ando ..... D14/205
- D641,003 S 7/2011 Alden
- D645,023 S \* 9/2011 Brandis ..... D14/206
- D650,356 S 12/2011 Alden et al.

(Continued)

*Primary Examiner* — Paula Allen Greene  
(74) *Attorney, Agent, or Firm* — Patterson & Sheridan,  
LLP

(57) **CLAIM**

The ornamental design for a headphone, as shown and described.

**DESCRIPTION**

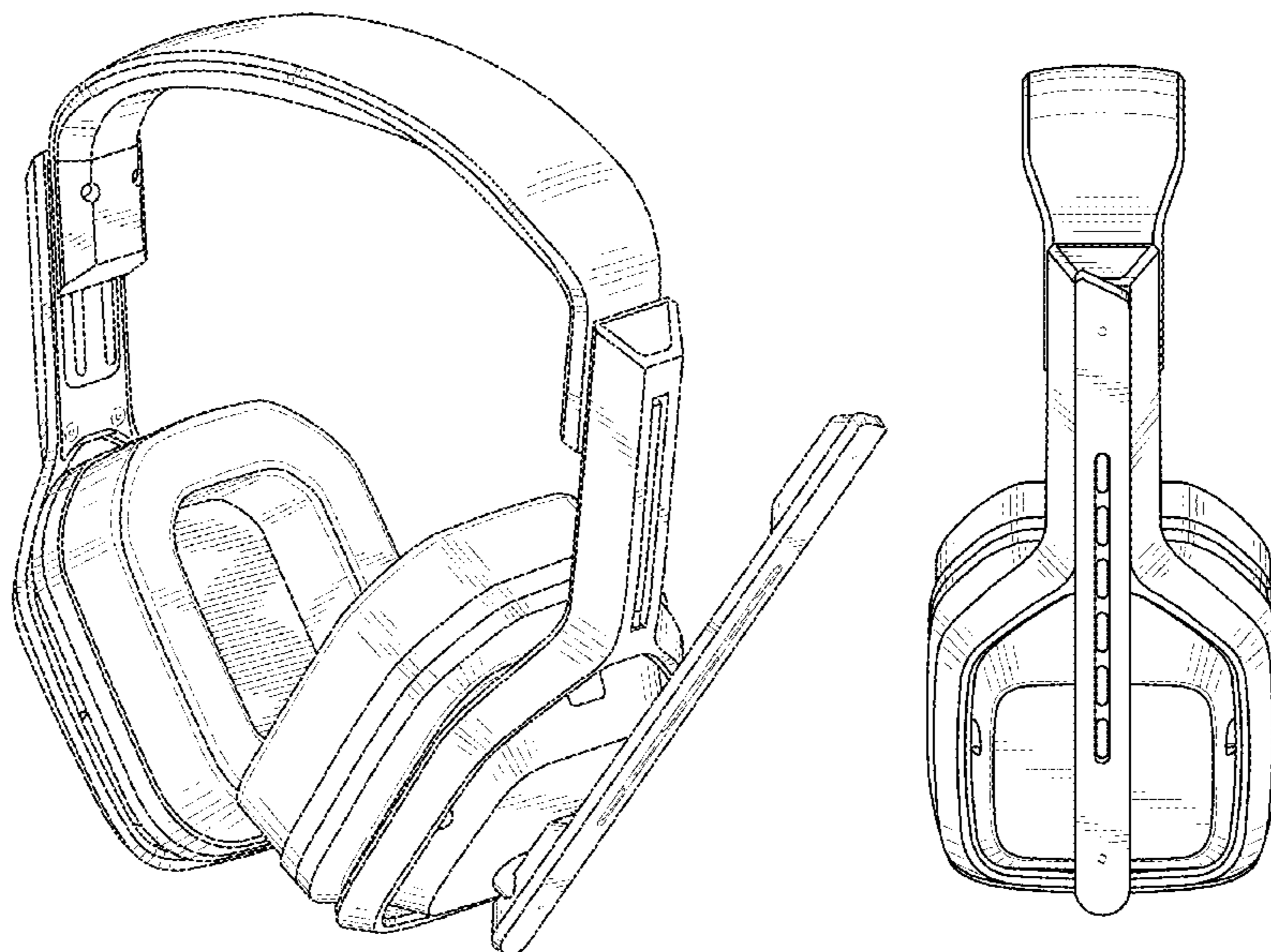
FIG. 1 is a perspective view of a headphone according to our design;  
FIG. 2 is a front view of the headphone shown in FIG. 1;  
FIG. 3 is a back view of the headphone shown in FIG. 1;  
FIG. 4 is a right side view of the headphone shown in FIG. 1;  
FIG. 5 is a left side view of the headphone shown in FIG. 1;  
FIG. 6 is a top view of the headphone shown in FIG. 1; and,  
FIG. 7 is a bottom view of the headphone shown in FIG. 1.  
The broken lines depict environment that forms no part of the claimed design.

**1 Claim, 5 Drawing Sheets**

(56) **References Cited**

**U.S. PATENT DOCUMENTS**

- 3,787,899 A \* 1/1974 Krawagna ..... H04R 1/1066  
2/209
- D246,259 S \* 11/1977 Nishimura ..... D14/205
- D266,417 S \* 10/1982 Perez ..... D14/165
- D302,429 S \* 7/1989 Leer ..... D14/137
- 5,068,923 A \* 12/1991 Sjoqvist ..... A61F 11/14  
181/129
- 5,345,512 A \* 9/1994 Lee ..... H04R 1/1066  
181/136



(56)

References Cited

U.S. PATENT DOCUMENTS

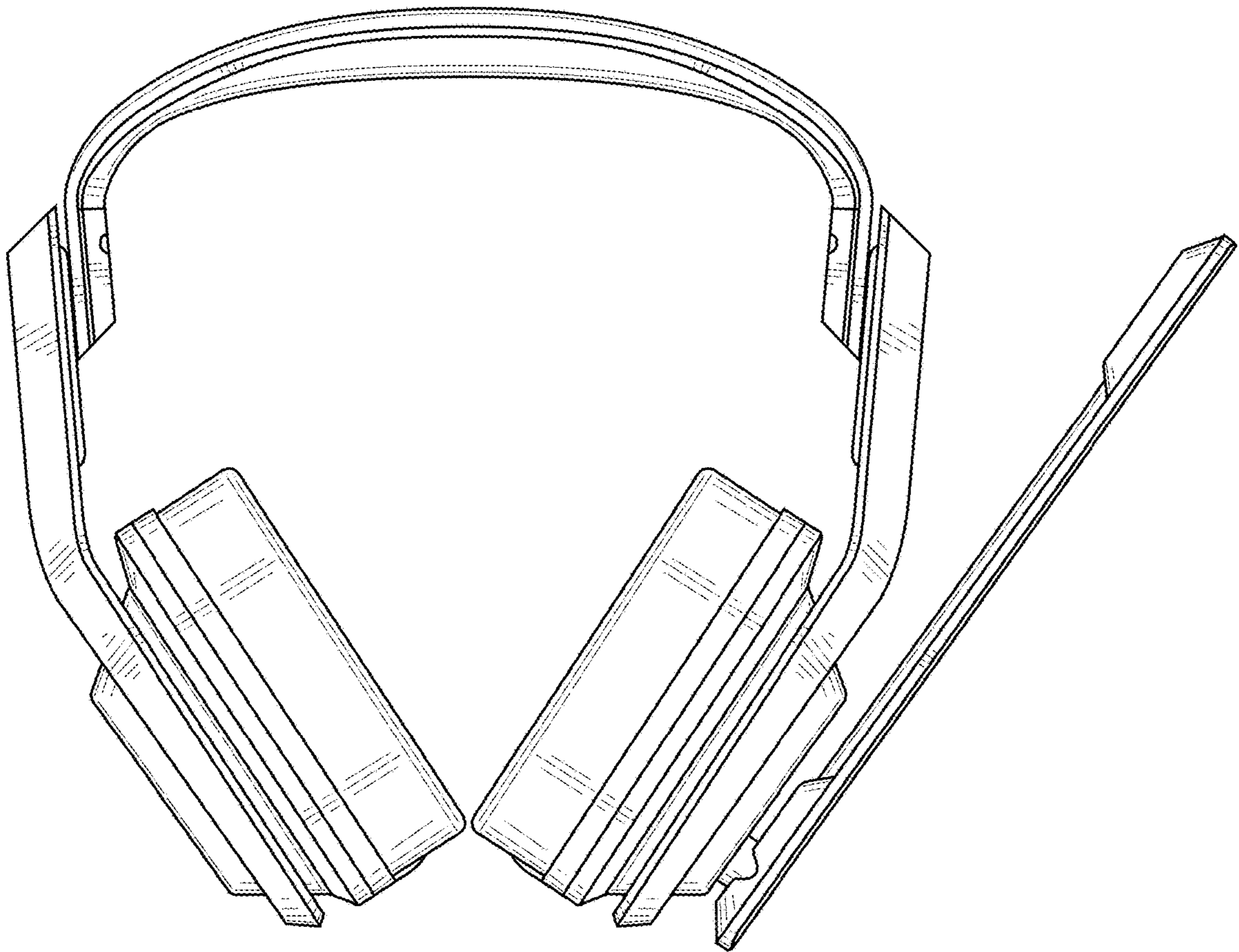
D656,129 S 3/2012 Kelly et al.  
 8,139,807 B2\* 3/2012 Reiss ..... H04R 1/1083  
 381/371  
 D665,776 S 8/2012 Alden et al.  
 D665,777 S 8/2012 Alden et al.  
 D672,745 S \* 12/2012 Abed ..... D14/205  
 D673,136 S 12/2012 Kelly et al.  
 D673,140 S 12/2012 Kelly et al.  
 D673,519 S \* 1/2013 Tan ..... D14/205  
 D674,372 S 1/2013 Kelly et al.  
 D674,376 S 1/2013 Kelly et al.  
 D677,241 S 3/2013 Kelly et al.  
 D683,717 S 6/2013 Kelly et al.  
 D685,759 S 7/2013 Kelly et al.  
 D685,767 S 7/2013 Kelly et al.  
 D687,409 S \* 8/2013 Lee ..... D14/205  
 D689,464 S \* 9/2013 Bonahoom ..... D14/206  
 D691,111 S \* 10/2013 Lee ..... D14/206  
 8,565,468 B2\* 10/2013 Ito ..... H04R 1/105  
 381/370  
 D692,853 S \* 11/2013 Nokuo ..... D14/205  
 D693,793 S 11/2013 Kelly et al.  
 D701,193 S 3/2014 Kelly et al.  
 D701,196 S 3/2014 Kelly et al.  
 D701,197 S 3/2014 Kelly et al.  
 D707,200 S \* 6/2014 Yang ..... H04R 1/1066  
 D14/205

D716,762 S \* 11/2014 Greve ..... D14/206  
 D725,628 S \* 3/2015 Tompkin ..... D14/205  
 D725,630 S \* 3/2015 Nakagawa ..... D14/205  
 D728,533 S 5/2015 Poulsen et al.  
 9,036,849 B2\* 5/2015 Thompson ..... H04R 1/083  
 381/122  
 D747,291 S \* 1/2016 Lee ..... D14/205  
 D750,042 S 2/2016 Poulsen et al.  
 D757,680 S 5/2016 Kelly et al.  
 D761,760 S 7/2016 Poulsen et al.  
 D764,437 S \* 8/2016 Yang ..... D14/206  
 D768,599 S 10/2016 Kelly et al.  
 D775,104 S \* 12/2016 Lee ..... D14/205  
 D778,258 S \* 2/2017 Hsu ..... D14/205  
 D780,714 S 3/2017 Vogt, Jr. et al.  
 D787,470 S 5/2017 Kelly et al.  
 D791,734 S \* 7/2017 Ou ..... D14/206  
 D800,691 S \* 10/2017 Ando ..... D14/205  
 D810,718 S \* 2/2018 Galler ..... D14/205  
 D815,614 S \* 4/2018 Tzeng ..... D14/205  
 2001/0017925 A1\* 8/2001 Ceravolo ..... H04M 1/05  
 381/370  
 2006/0104471 A1\* 5/2006 Tsunoda ..... H04R 1/1041  
 381/374  
 2009/0238397 A1\* 9/2009 Reiss ..... H04R 1/1058  
 381/375  
 2011/0194721 A1\* 8/2011 Schmidt ..... H04R 1/1066  
 381/370

\* cited by examiner



FIG. 1



**FIG. 2**

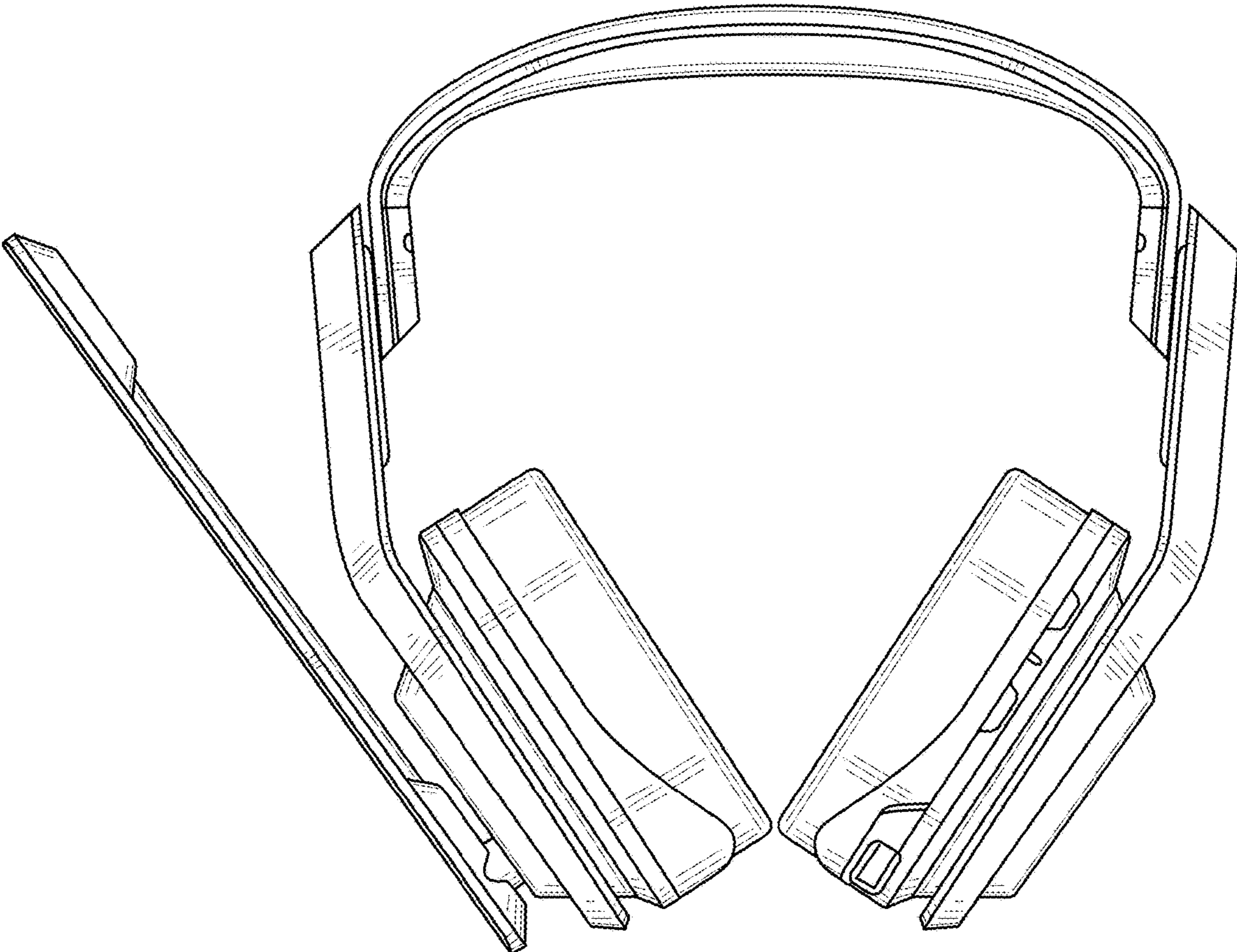
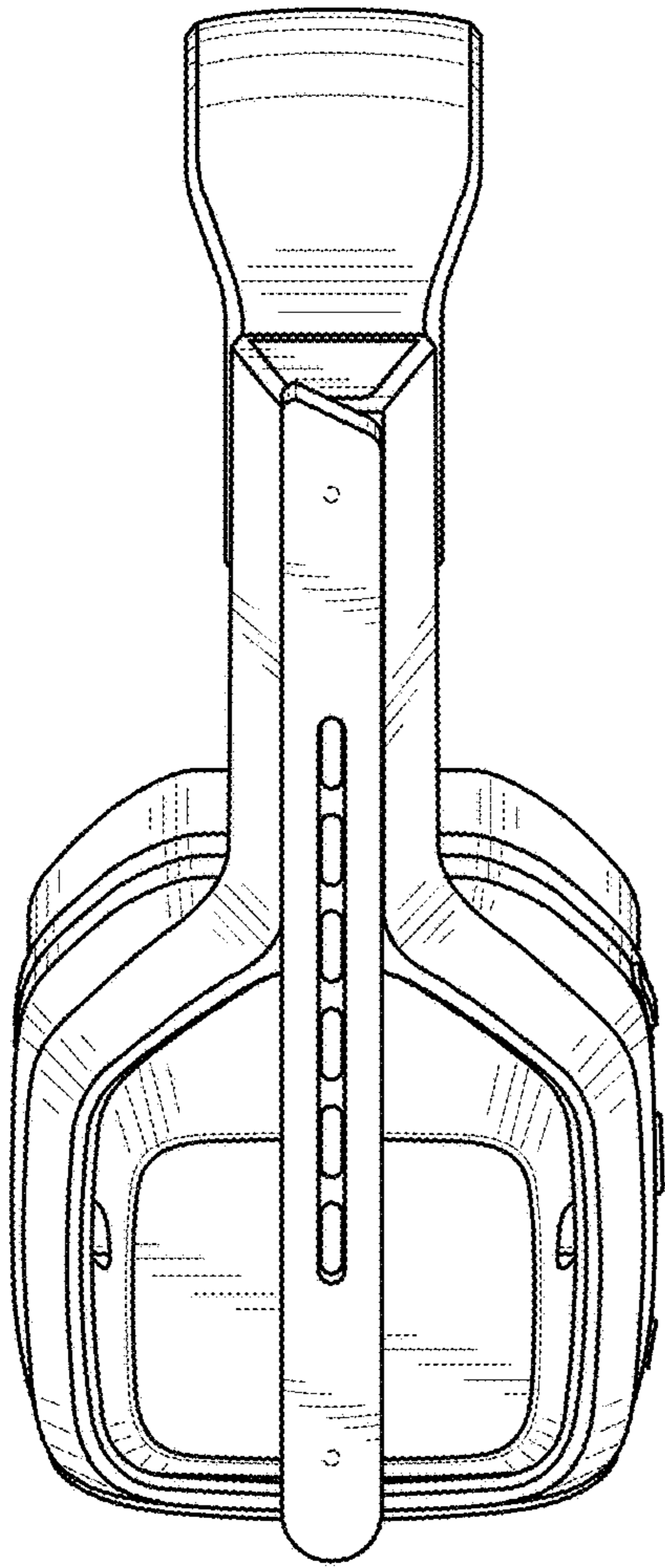
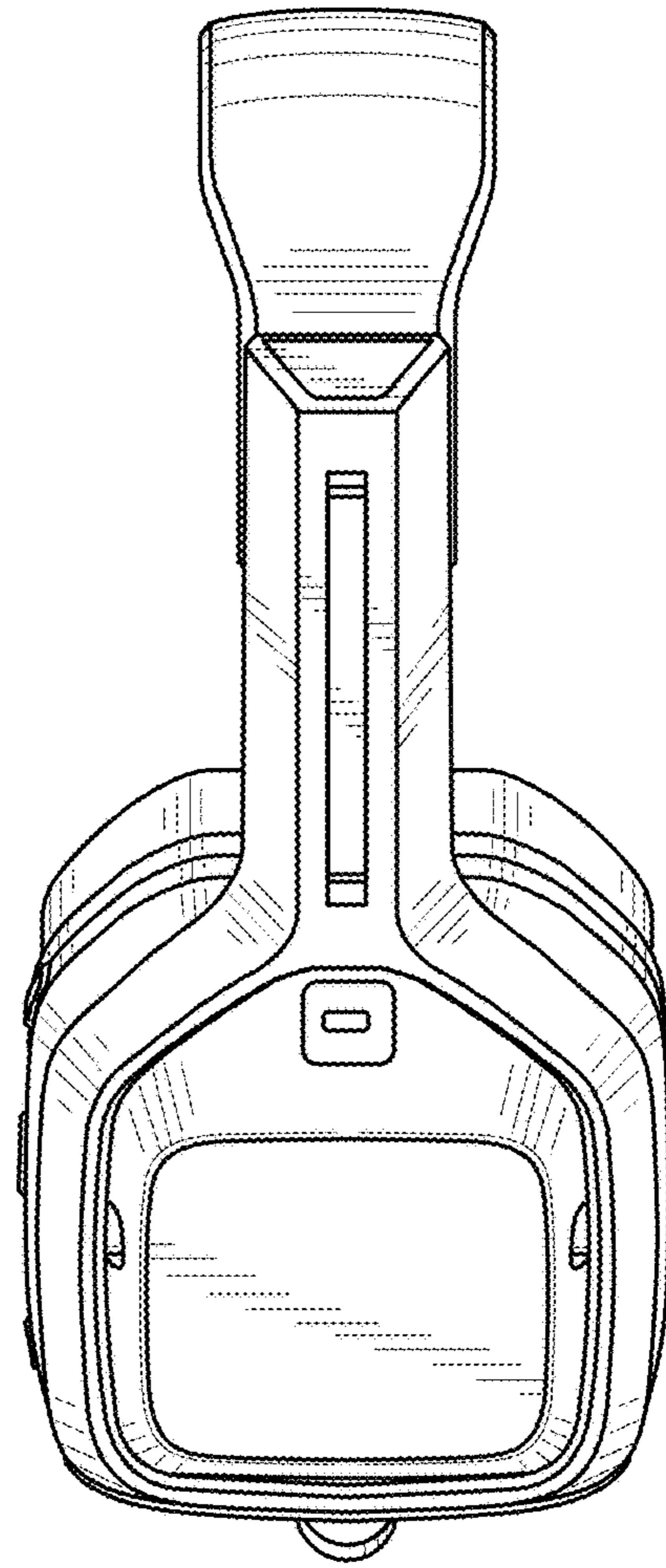


FIG. 3



**FIG. 4**



**FIG. 5**

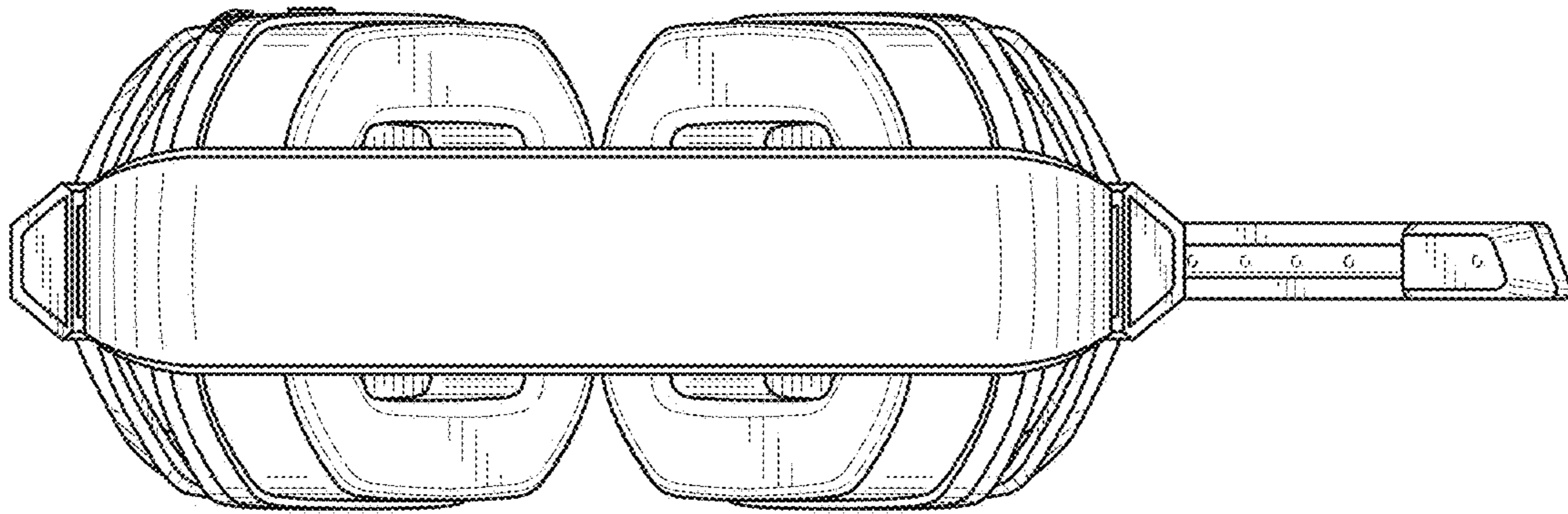


FIG. 6

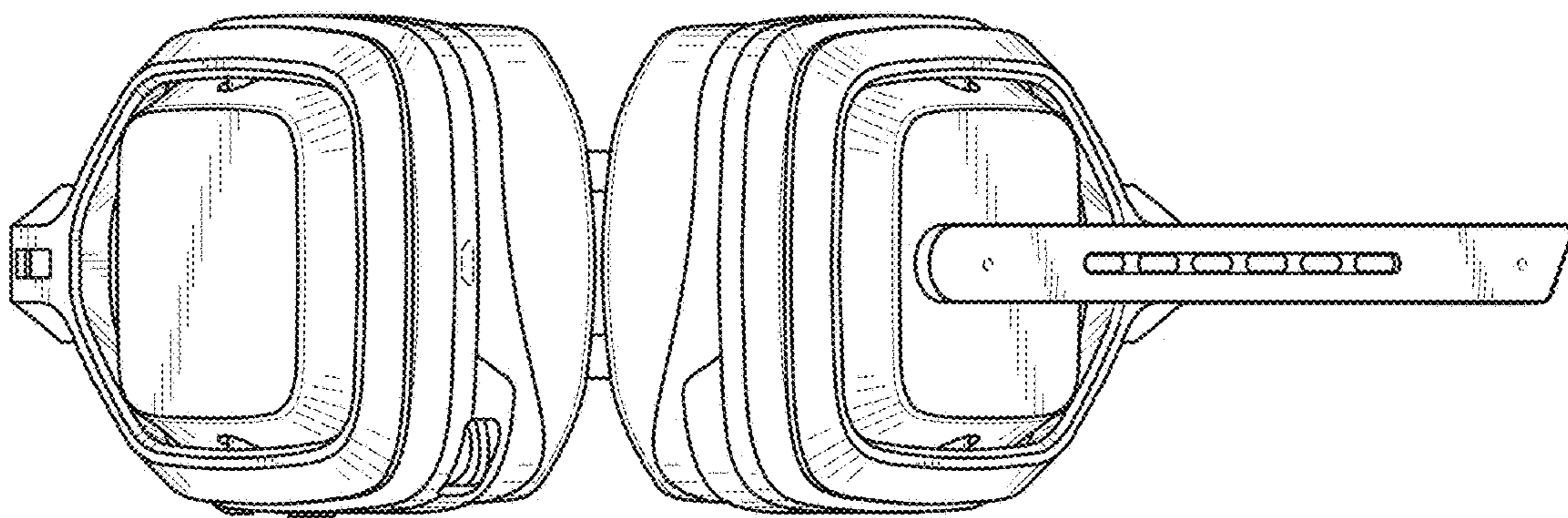


FIG. 7