



US00D843345S

(12) **United States Design Patent**
Brunner et al.

(10) **Patent No.:** **US D843,345 S**
(45) **Date of Patent:** **** Mar. 19, 2019**

(54) **AUDIO LISTENING SYSTEM**
(71) Applicant: **Apple Inc.**, Cupertino, CA (US)
(72) Inventors: **Robert Brunner**, San Francisco, CA (US); **Rhys Bonahoom**, Burlingame, CA (US); **Gregoire Vandebussche**, San Francisco, CA (US); **Nivay Anandarajah**, San Francisco, CA (US); **Christopher Fruhauf**, San Anselmo, CA (US)

2/209; 181/129, 130, 135; 379/430, 431; 381/380, 381, 370, 371, 74, 374, 376; 455/90, 3, 575.1, 569.1
CPC H04R 1/1066; H04R 1/1016; H04R 5/033; H04R 5/0335; H04R 1/10; H04R 25/00; H04R 1/1091; H04R 1/1058
See application file for complete search history.

(73) Assignee: **Apple Inc.**, Cupertino, CA (US)
(**) Term: **15 Years**
(21) Appl. No.: **29/608,560**
(22) Filed: **Jun. 22, 2017**

Related U.S. Application Data

(63) Continuation of application No. 29/559,678, filed on Mar. 30, 2016, now Pat. No. Des. 791,733, which is a continuation of application No. 29/527,765, filed on May 21, 2015, now Pat. No. Des. 760,687, which is a continuation of application No. 29/489,127, filed on Apr. 25, 2014, now Pat. No. Des. 731,457, and a continuation of application No. 29/490,507, filed on May 9, 2014, now Pat. No. Des. 732,000, which is a continuation-in-part of application No. 29/489,127, filed on Apr. 25, 2014, now Pat. No. Des. 731,457, said application No. 29/527,765 is a continuation of application No. 29/490,508, filed on May 9, 2014, now Pat. No. Des. 738,350, which is a continuation-in-part of application No. 29/489,127, filed on Apr. 25, 2014, now Pat. No. Des. 731,457.

(51) **LOC (11) Cl.** **14-01**
(52) **U.S. Cl.**
USPC **D14/205**
(58) **Field of Classification Search**
USPC D14/205, 188, 192, 372; D29/112;

(56) **References Cited**

U.S. PATENT DOCUMENTS

4,385,209 A	5/1983	Greason et al.
D328,074 S	7/1992	Yamazaki et al.
D328,461 S	8/1992	Daido et al.
D484,485 S	12/2003	Matsuoka
D504,414 S	4/2005	Yoshida
6,980,165 B2	12/2005	Yuasa et al.
7,072,483 B2	7/2006	Lenhard-Backhaus
D534,155 S	12/2006	Obata
D540,301 S	4/2007	Obata
D552,077 S	10/2007	Brunner et al.
7,356,362 B2	4/2008	Chang et al.
D582,890 S	12/2008	Koza et al.

(Continued)

Primary Examiner — Paula Allen Greene

(74) *Attorney, Agent, or Firm* — Sterne, Kessler, Goldstein & Fox P.L.L.C.

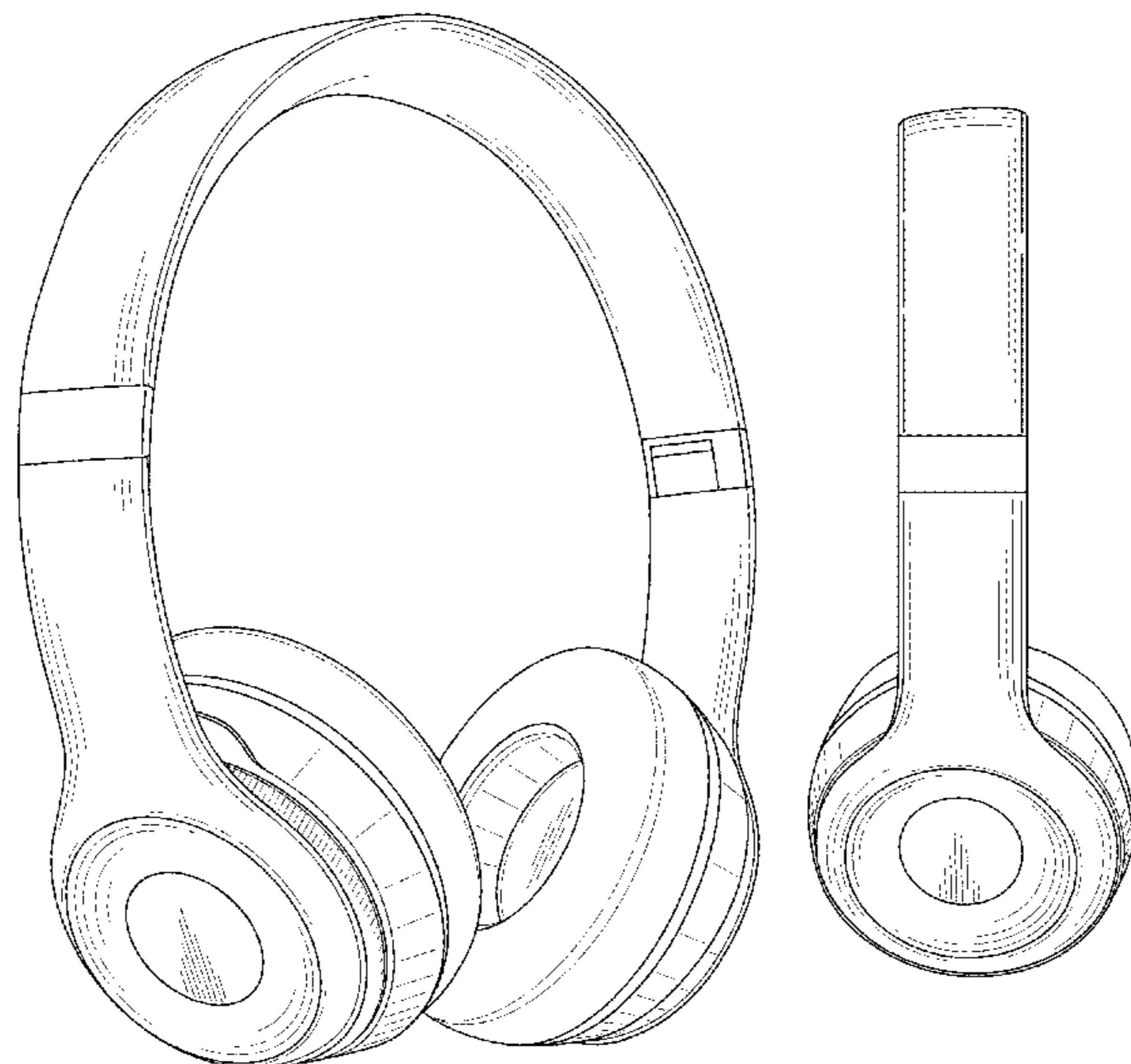
(57) **CLAIM**

The ornamental design for an audio listening system, as shown and described.

DESCRIPTION

FIG. 1 is a front perspective view of an audio listening system showing the claimed design; FIG. 2 is a front view thereof; FIG. 3 is a rear view thereof; FIG. 4 is a left side view thereof; FIG. 5 is a right side view thereof; and, FIG. 6 is a top view thereof.

1 Claim, 4 Drawing Sheets



(56)

References Cited

U.S. PATENT DOCUMENTS

D585,870 S 2/2009 Zheng et al.
 D592,182 S 5/2009 Sanguinetti
 D600,674 S 9/2009 Brennwald
 D603,371 S 11/2009 Boateng et al.
 D625,705 S 10/2010 Ohori et al.
 D628,554 S 12/2010 Tedja et al.
 D632,668 S 2/2011 Brunner et al.
 D635,959 S 4/2011 Hutchieson
 D637,176 S 5/2011 Brunner et al.
 8,006,320 B1 8/2011 Rohbani
 D652,406 S 1/2012 Lee et al.
 8,098,872 B2 1/2012 Chang
 D657,344 S 4/2012 Brunner et al.
 D657,345 S 4/2012 Brunner et al.
 D657,776 S 4/2012 Lee et al.
 D660,823 S 5/2012 Hardi et al.
 D660,824 S 5/2012 Hardi et al.
 D662,080 S 6/2012 Carr et al.
 D663,716 S 7/2012 Hardi et al.
 D664,117 S 7/2012 Tappeiner et al.
 D671,914 S 12/2012 Lee et al.
 D673,136 S 12/2012 Kelly et al.
 D673,520 S 1/2013 Tan
 D675,595 S 2/2013 Cho et al.
 D677,648 S 3/2013 Lee et al.
 D678,860 S 3/2013 Hagelin
 D683,329 S 5/2013 Hagelin
 D689,843 S 9/2013 Lee

D691,579 S * 10/2013 Lee D14/205
 D691,984 S 10/2013 Wang
 D693,791 S 11/2013 Troy
 D696,226 S 12/2013 Brunner et al.
 D696,228 S 12/2013 Miyake et al.
 D699,702 S 2/2014 Chen
 D706,240 S 6/2014 Szymanski et al.
 D715,255 S 10/2014 Nunez et al.
 D725,630 S 3/2015 Nakagawa
 D731,457 S * 6/2015 Brunner D14/205
 D732,000 S 6/2015 Brunner et al.
 D734,296 S 7/2015 Paterson et al.
 D738,350 S 9/2015 Brunner et al.
 D739,378 S 9/2015 Chung et al.
 D742,357 S 11/2015 Chung et al.
 D760,687 S 7/2016 Brunner et al.
 D765,056 S 8/2016 Yang et al.
 D767,531 S 9/2016 Szymanski
 9,445,185 B2 * 9/2016 Brunner H04R 1/1066
 D791,103 S * 7/2017 Brunner D14/205
 D791,733 S * 7/2017 Brunner D14/205
 D800,691 S * 10/2017 Ando D14/205
 D817,303 S * 5/2018 Tragatschnig D14/205
 2004/0216946 A1 11/2004 Lenhard-Backhaus
 2008/0037816 A1 2/2008 Lee et al.
 2011/0206216 A1 8/2011 Brunner et al.
 2013/0177195 A1 7/2013 Sze et al.
 2013/0343591 A1 12/2013 Brunner et al.
 2015/0189422 A1 7/2015 Nakano et al.
 2016/0212519 A1 7/2016 Henderson et al.

* cited by examiner



FIG. 1



FIG. 2



FIG. 3

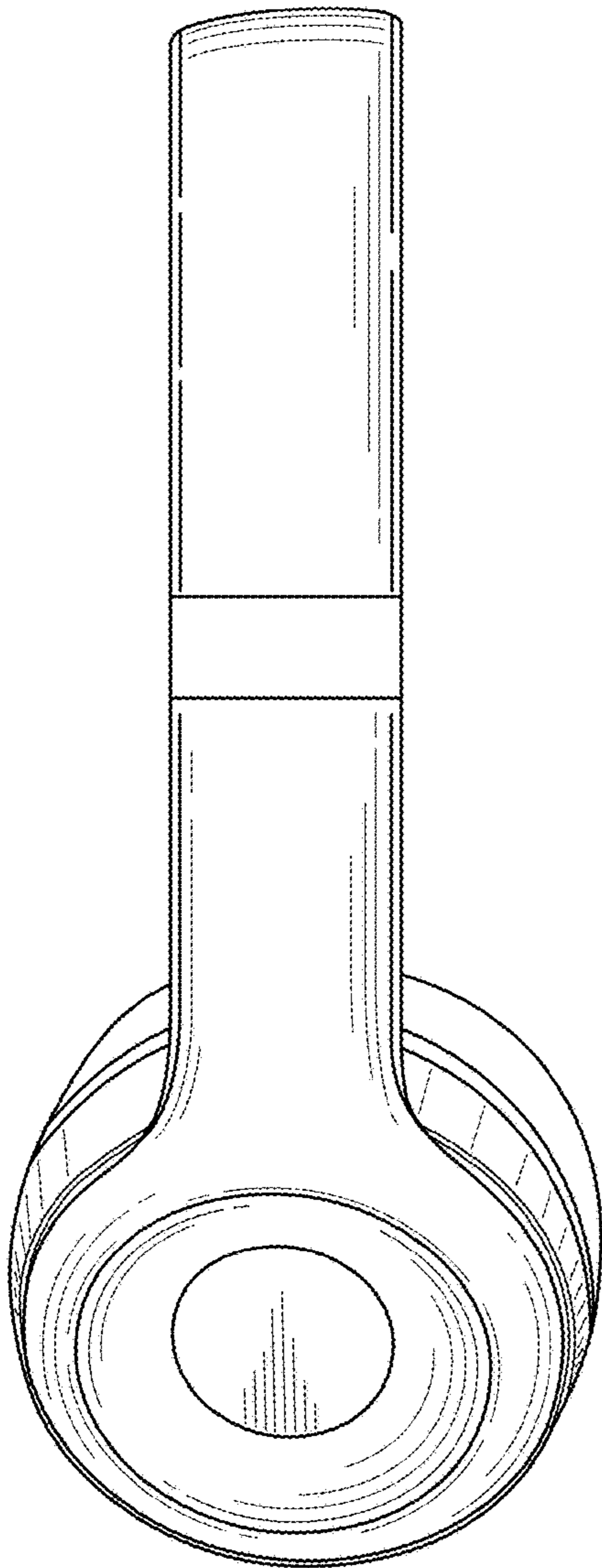


FIG. 4

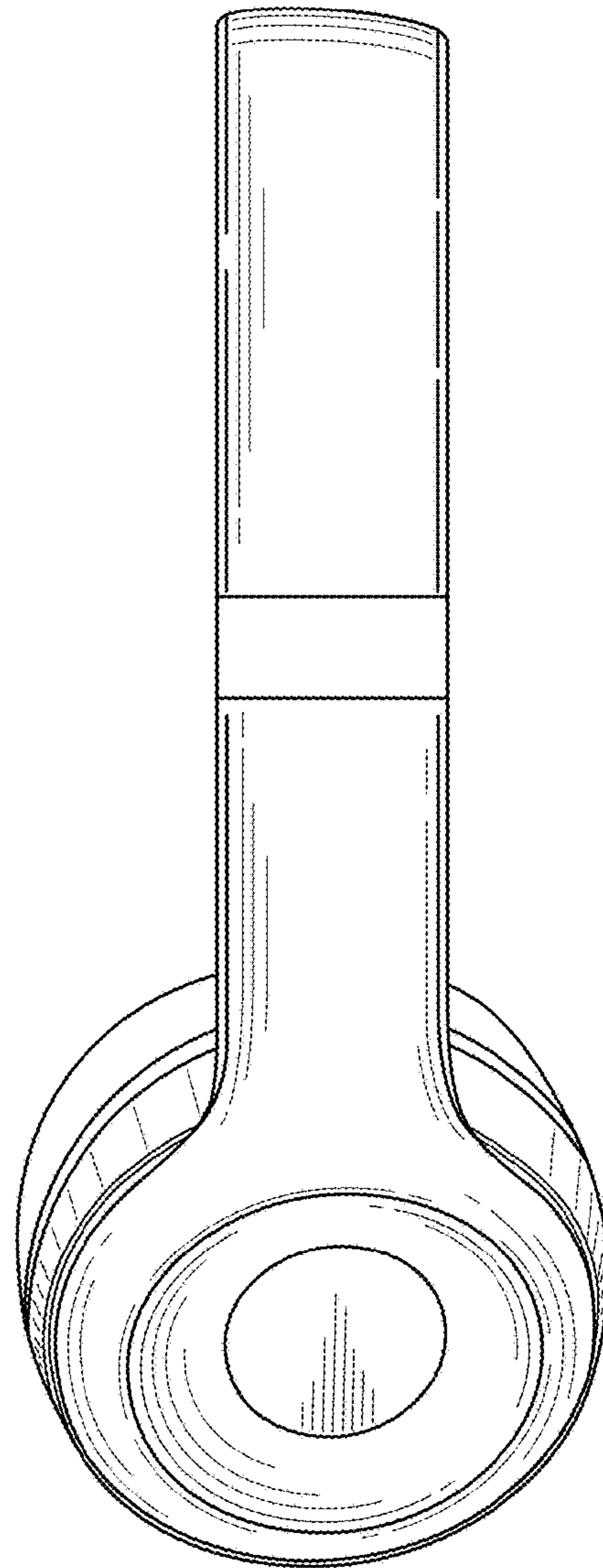


FIG. 5

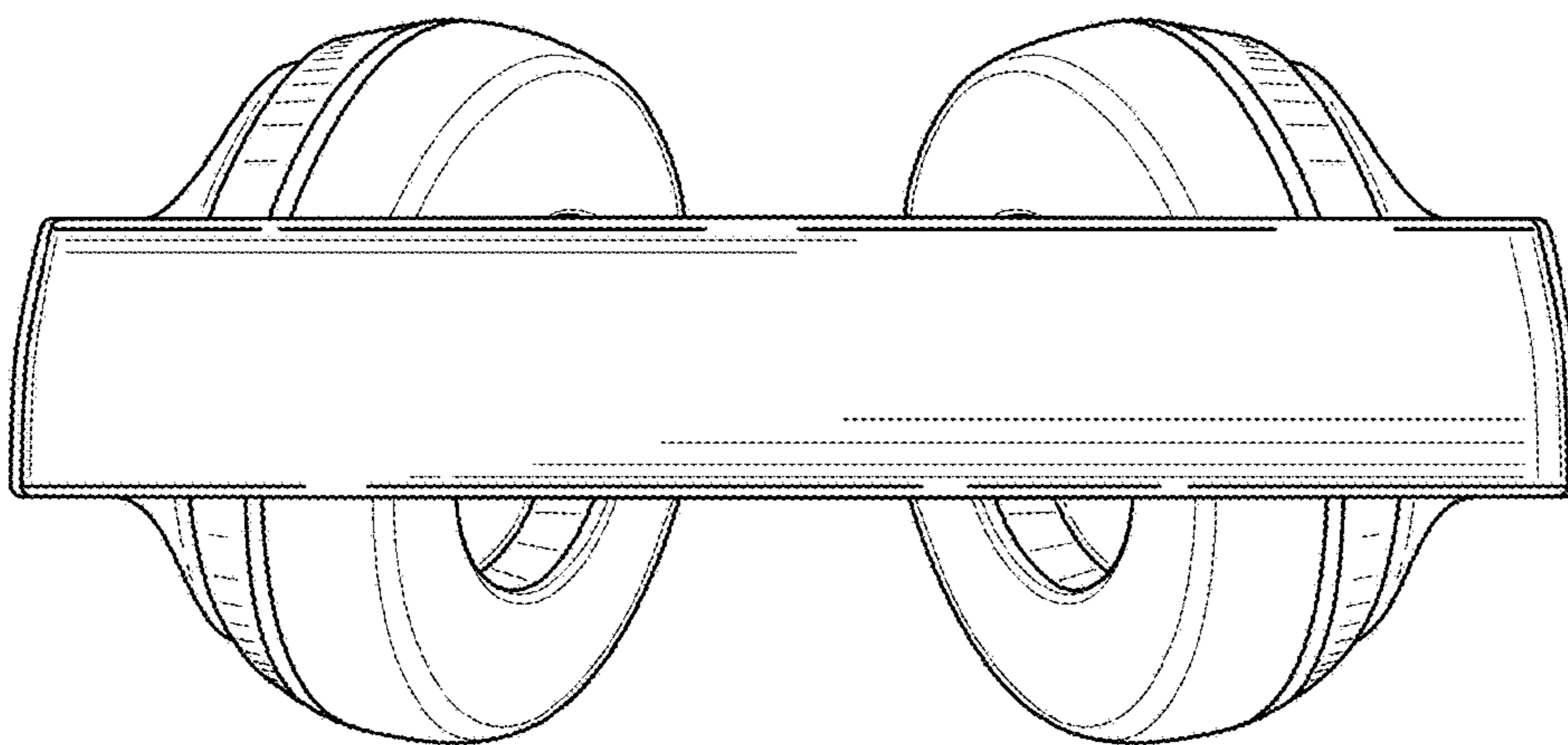


FIG. 6