



US00D843343S

(12) **United States Design Patent**
Paterson et al.

(10) **Patent No.:** **US D843,343 S**
(45) **Date of Patent:** **** Mar. 19, 2019**

(54) **COMMUNICATIONS HEADSET OR HEADPHONE**

(71) Applicant: **Plantronics, Inc.**, Santa Cruz, CA (US)

(72) Inventors: **Nicholas W Paterson**, Santa Cruz, CA (US); **Matthew Nicholas Villarreal**, Santa Cruz, CA (US)

(73) Assignee: **Plantronics, Inc.**, Santa Cruz, CA (US)

(**) Term: **15 Years**

(21) Appl. No.: **29/606,288**

(22) Filed: **Jun. 2, 2017**

(51) **LOC (11) Cl.** **14-01**

(52) **U.S. Cl.**
USPC **D14/205**

(58) **Field of Classification Search**
USPC D14/205, 206; D29/112; 2/209;
181/129, 130, 135; 379/430, 431;
381/380, 381, 374; 455/90.3, 575.1,
455/569.1
CPC .. H04R 1/1066; H04R 1/1016; H04R 5/0335;
H04R 5/033; H04R 25/00
See application file for complete search history.

(56) **References Cited**

U.S. PATENT DOCUMENTS

2,360,027	A *	10/1944	Werner	H04M 1/05 379/430
D254,183	S *	2/1980	Doodson	D14/205
D262,019	S *	11/1981	Upshaw	D14/205
D291,198	S *	8/1987	Bellini	D14/205
4,796,307	A *	1/1989	Vantine	A63B 71/10 2/13
D315,561	S *	3/1991	Miller	D14/192
D358,391	S *	5/1995	Isono	D14/205
6,016,347	A *	1/2000	Magnasco	H04R 1/1041 379/430

6,496,589	B1 *	12/2002	Pham	H04R 1/08 381/370
6,678,897	B2 *	1/2004	Lindgren	A61F 11/14 181/129
6,772,853	B2 *	8/2004	Yang	H04R 1/1066 181/129
D502,939	S *	3/2005	Dayan	D14/216
D517,527	S *	3/2006	Suzuki	D14/205
D566,208	S *	4/2008	Alessandri	D21/681
D566,689	S *	4/2008	Wang	D14/206
D604,266	S *	11/2009	Milde	D14/205
D622,490	S *	8/2010	McClaskie	D2/951
D634,732	S *	3/2011	Kondo	D14/205

(Continued)

OTHER PUBLICATIONS

Paterson et al., Design U.S. Appl. No. 29/567,430, filed Jun. 8, 2016 (12 pages).

(Continued)

Primary Examiner — Paula Allen Greene

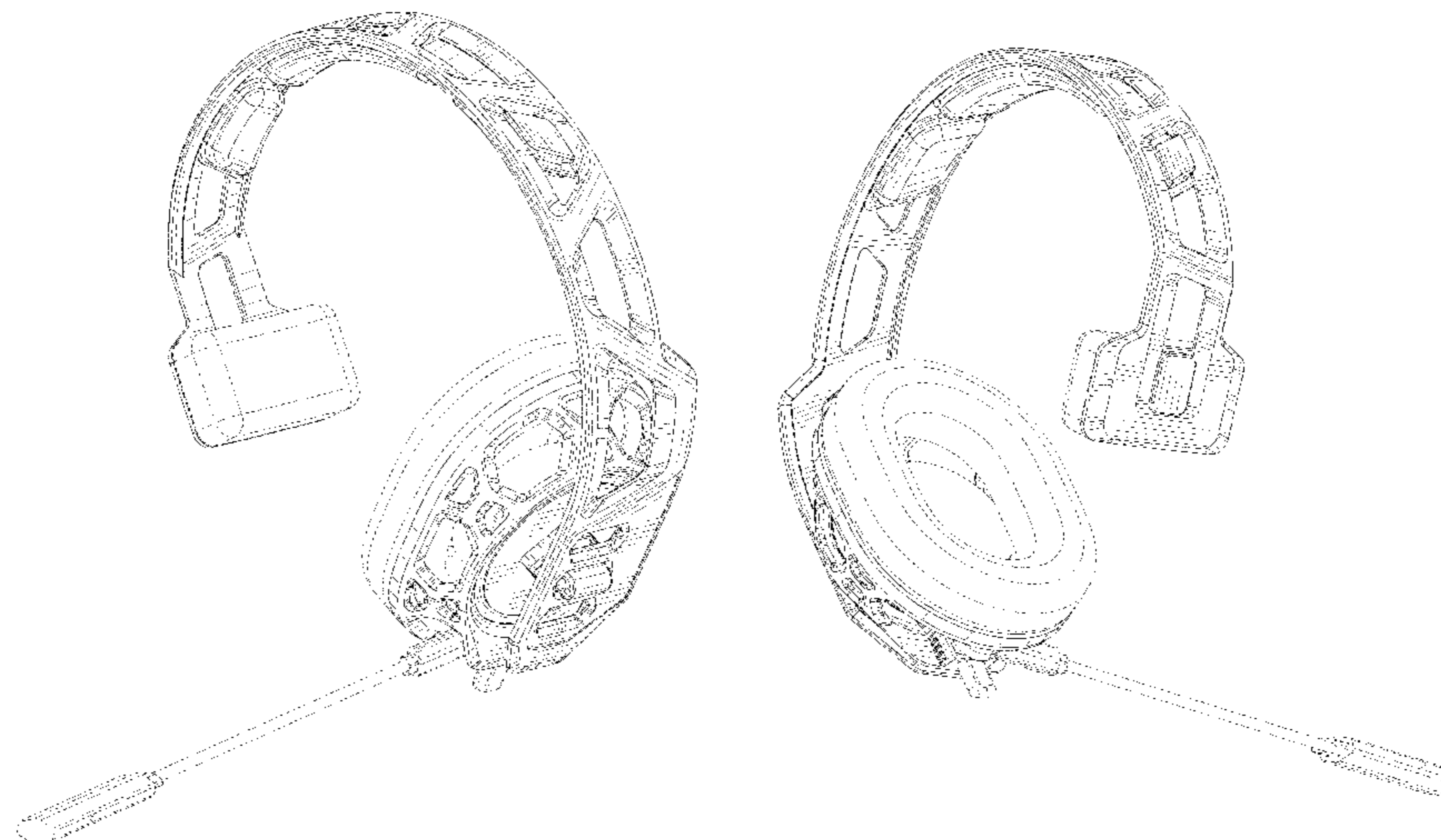
(57) **CLAIM**

The ornamental design for a communications headset or headphone, as shown and described.

DESCRIPTION

FIG. 1 is a front-left perspective view of a communications headset or headphone showing my new design; FIG. 2 is a back-right perspective view thereof; FIG. 3 is a front view thereof; FIG. 4 is a back view thereof; FIG. 5 is a right side view thereof; FIG. 6 is a left side view thereof; FIG. 7 is a top view thereof; and, FIG. 8 is a bottom view thereof. The broken lines showing the unclaimed features form no part of the claimed design.

1 Claim, 8 Drawing Sheets



(56)

References Cited

U.S. PATENT DOCUMENTS

D635,958 S * 4/2011 Ando D14/205
 D641,727 S * 7/2011 Krauss D14/206
 D645,023 S * 9/2011 Brandis D14/206
 8,443,467 B2 * 5/2013 Chiang A61F 11/06
 2/209
 D690,284 S * 9/2013 Brennwald D14/205
 D696,229 S * 12/2013 Lorusso D14/206
 8,732,864 B2 * 5/2014 Fountain A61F 11/14
 2/209
 D713,375 S * 9/2014 Dedinas D14/206
 D713,376 S * 9/2014 Dedinas D14/206
 D723,509 S * 3/2015 Garland D14/205
 D732,001 S * 6/2015 Licht D14/205
 D745,860 S * 12/2015 Logan D14/206
 D746,793 S * 1/2016 Logan D14/206
 D766,206 S 9/2016 Paterson et al.
 D766,207 S * 9/2016 Paterson D14/205
 D766,208 S 9/2016 Paterson et al.
 D788,071 S * 5/2017 Logan D14/205
 D800,091 S * 10/2017 Paterson D14/206

D800,092 S * 10/2017 Paterson D14/206
 D805,257 S * 12/2017 Maansson D29/122
 D807,585 S * 1/2018 Fletcher D29/112
 2001/0017925 A1 * 8/2001 Ceravolo H04M 1/05
 381/370
 2003/0037366 A1 * 2/2003 Lindgren A61F 11/14
 2/209
 2003/0210801 A1 * 11/2003 Naksen H04R 1/1066
 381/370
 2014/0177884 A1 * 6/2014 Minarik H04R 1/1066
 381/309
 2015/0195640 A1 * 7/2015 Essabar H04R 1/1033
 381/378
 2016/0277828 A1 * 9/2016 Oh H04R 1/105
 2017/0347194 A1 * 11/2017 Nyegaard H04R 1/1008

OTHER PUBLICATIONS

Paterson et al., Design U.S. Appl. No. 29/567,309, filed Jun. 7, 2016, (12 pages).

* cited by examiner

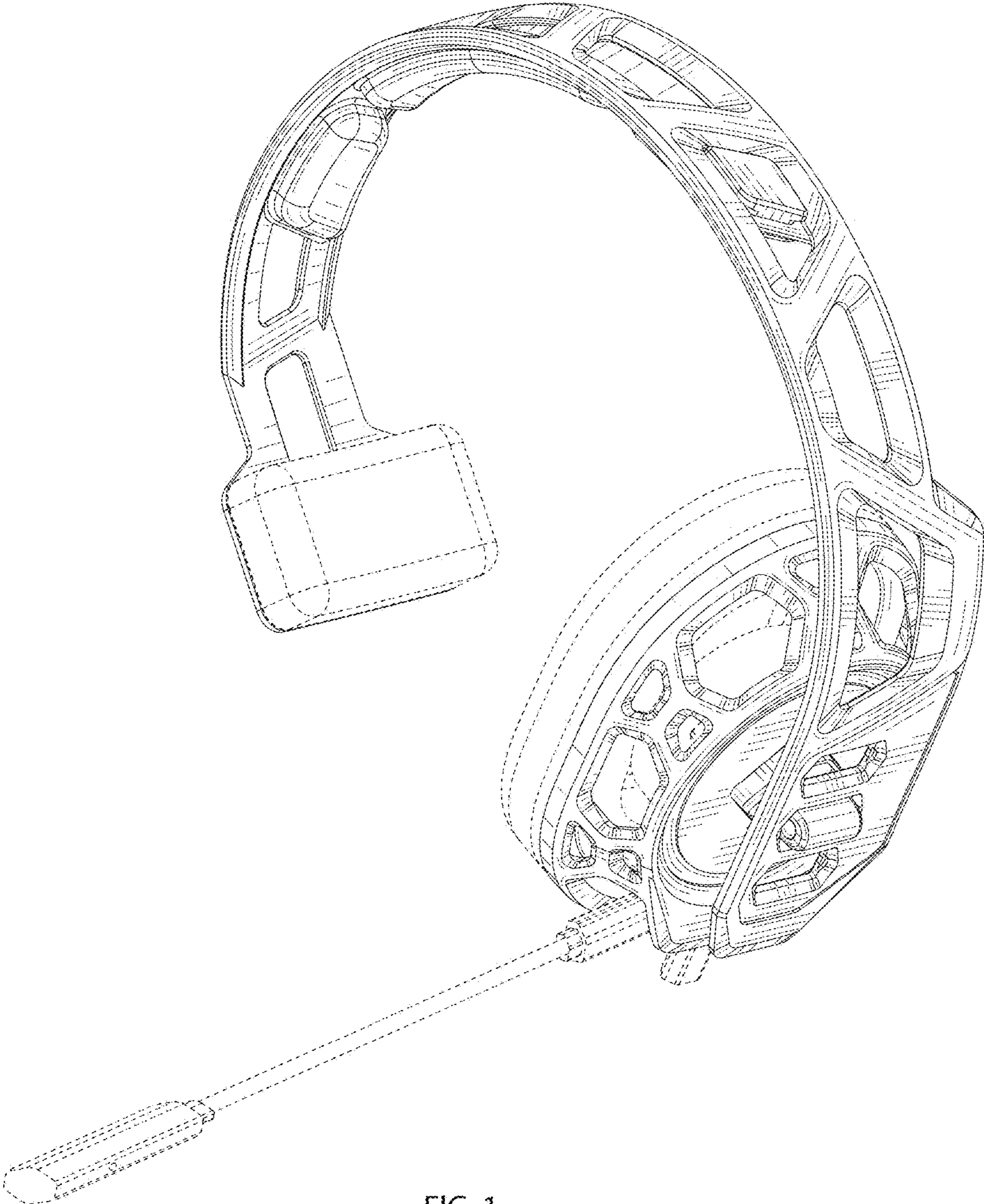


FIG. 1

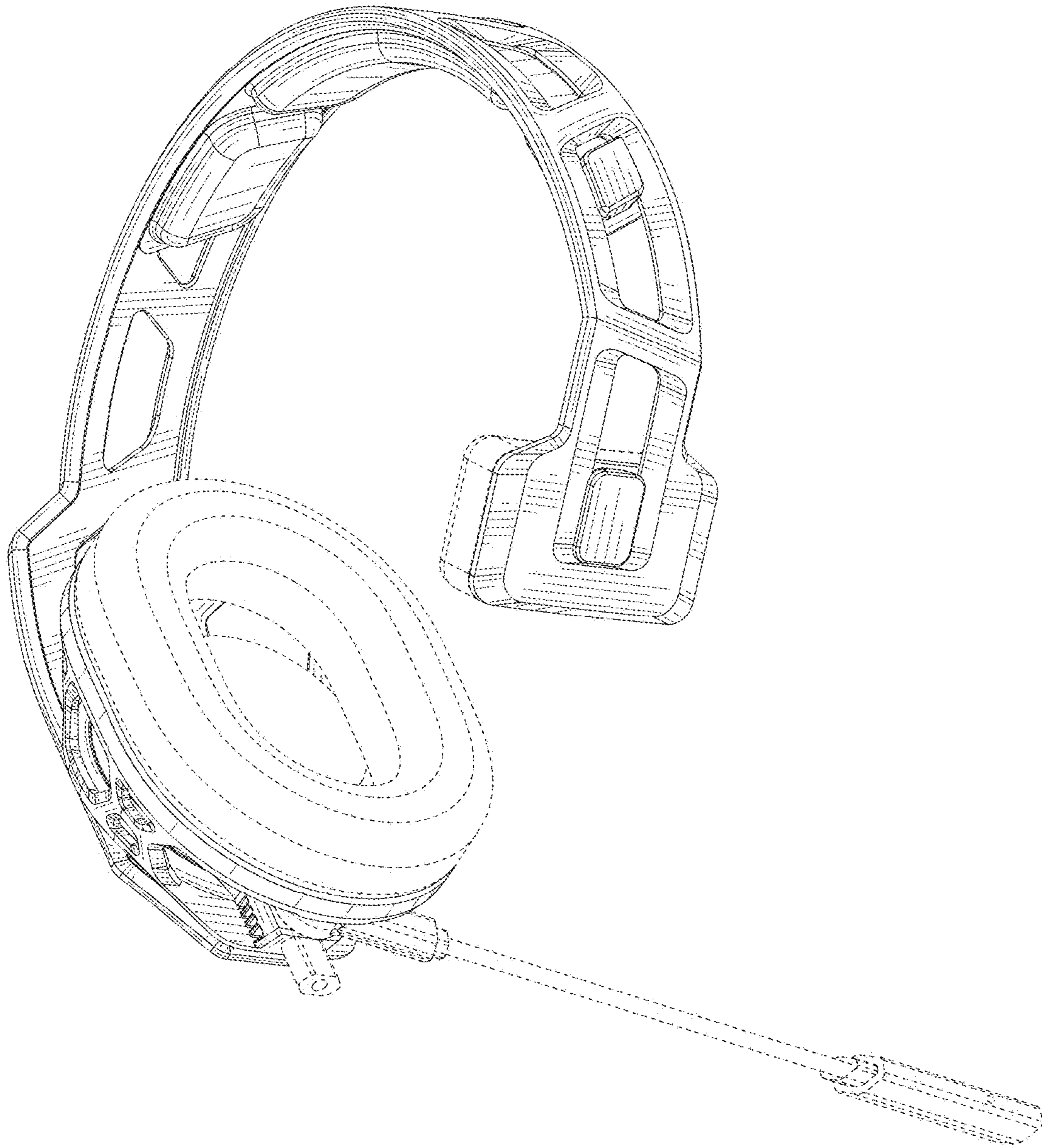


FIG. 2

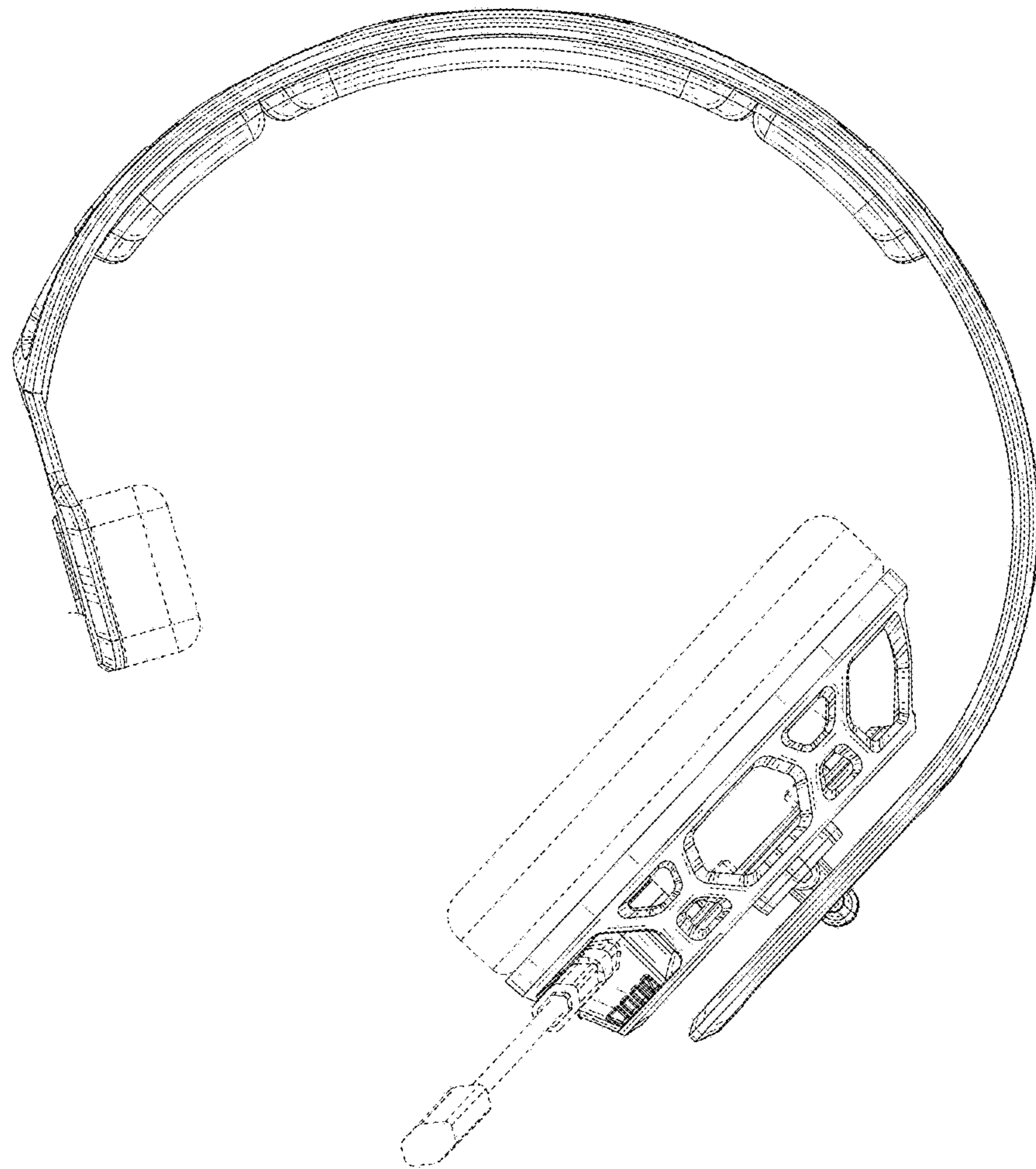


FIG. 3

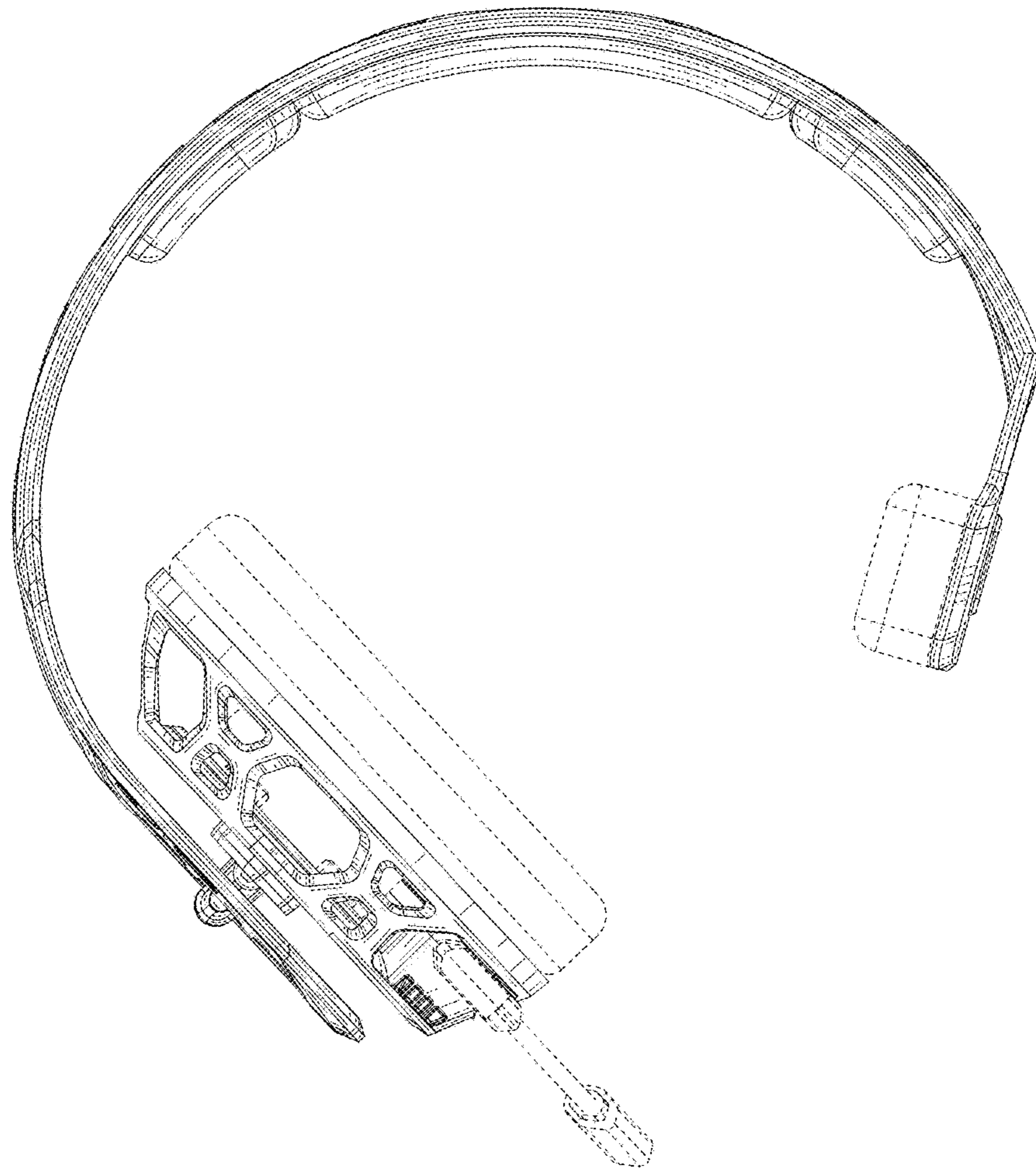


FIG. 4

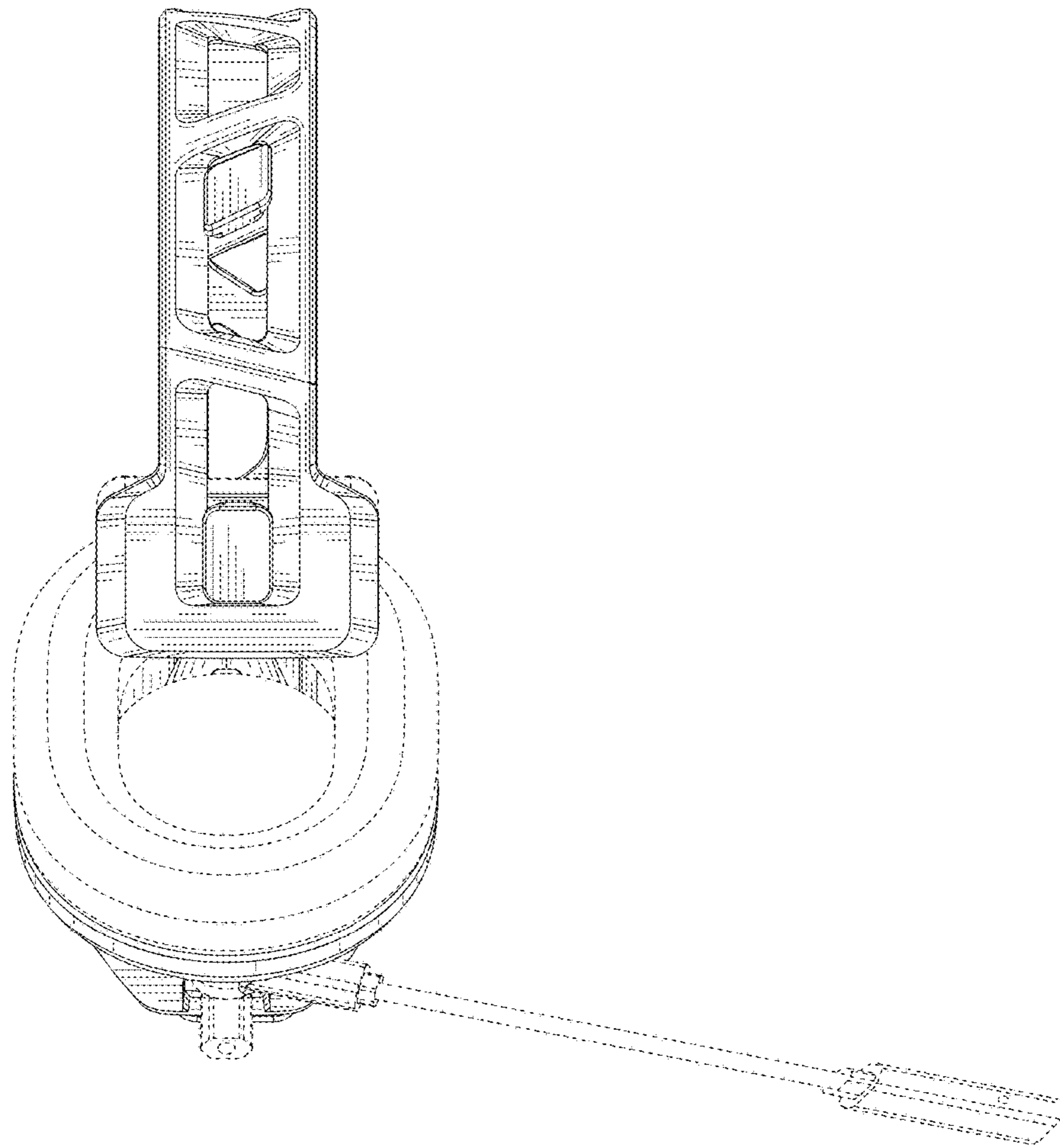


FIG. 5

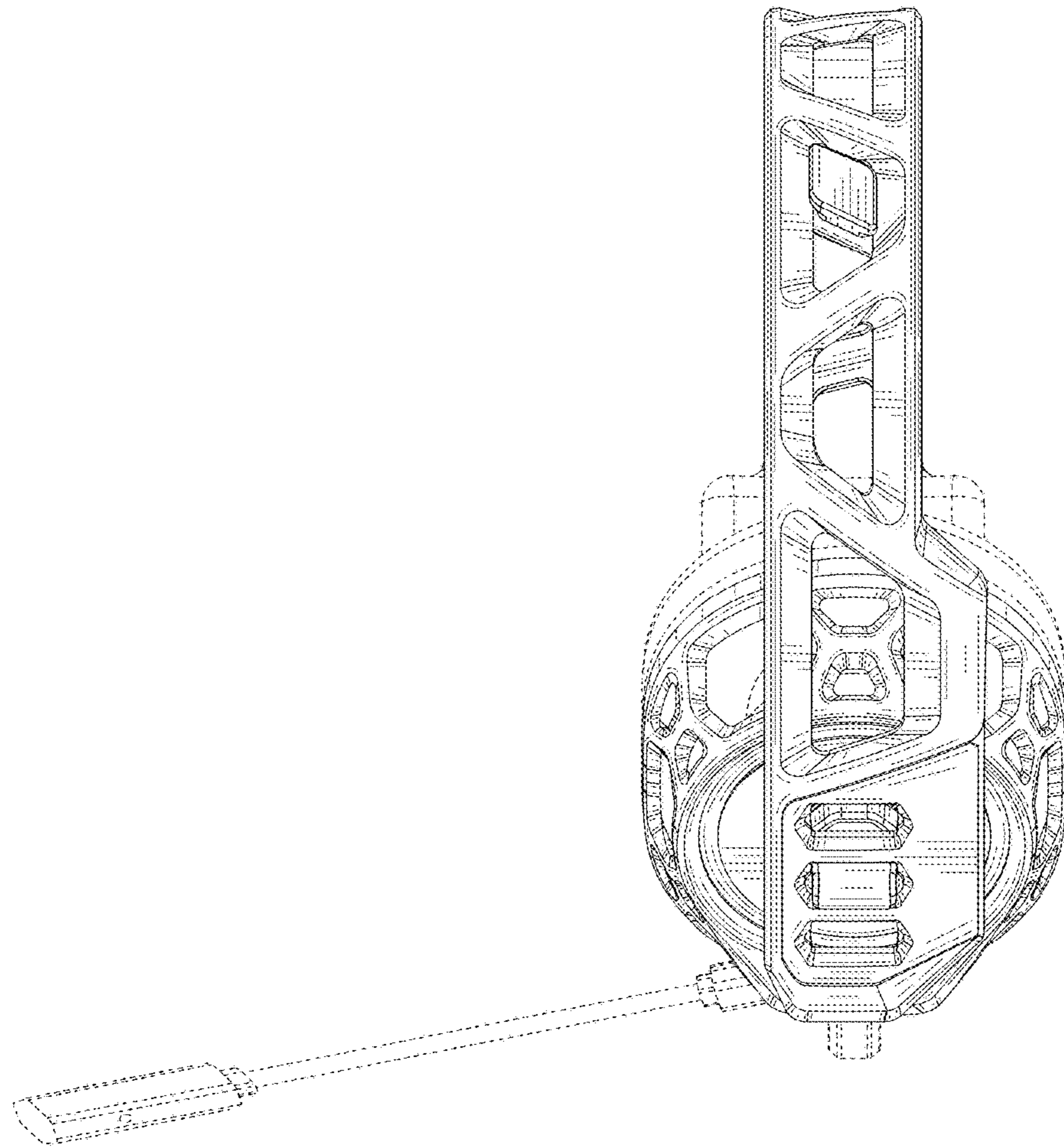


FIG. 6

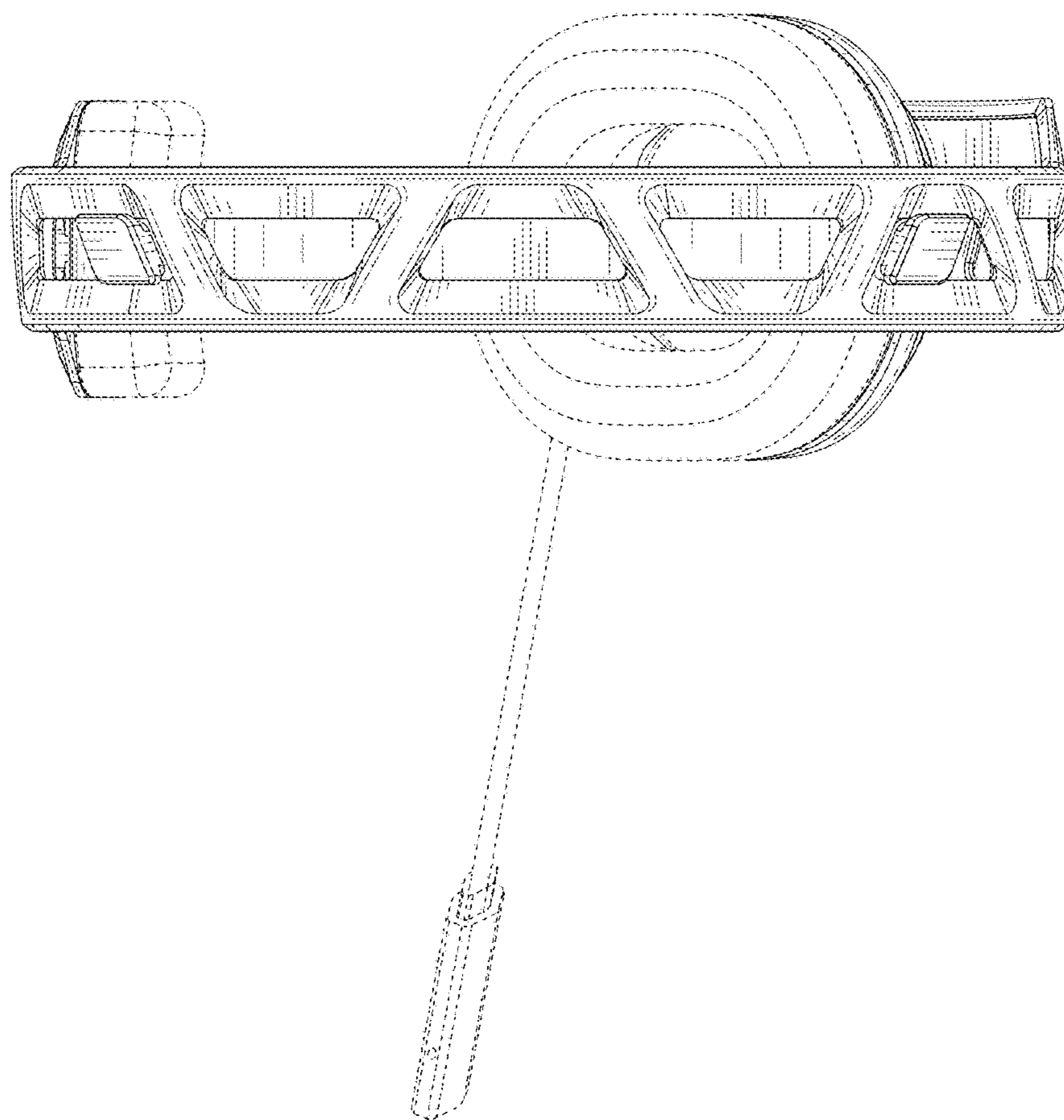


FIG. 7

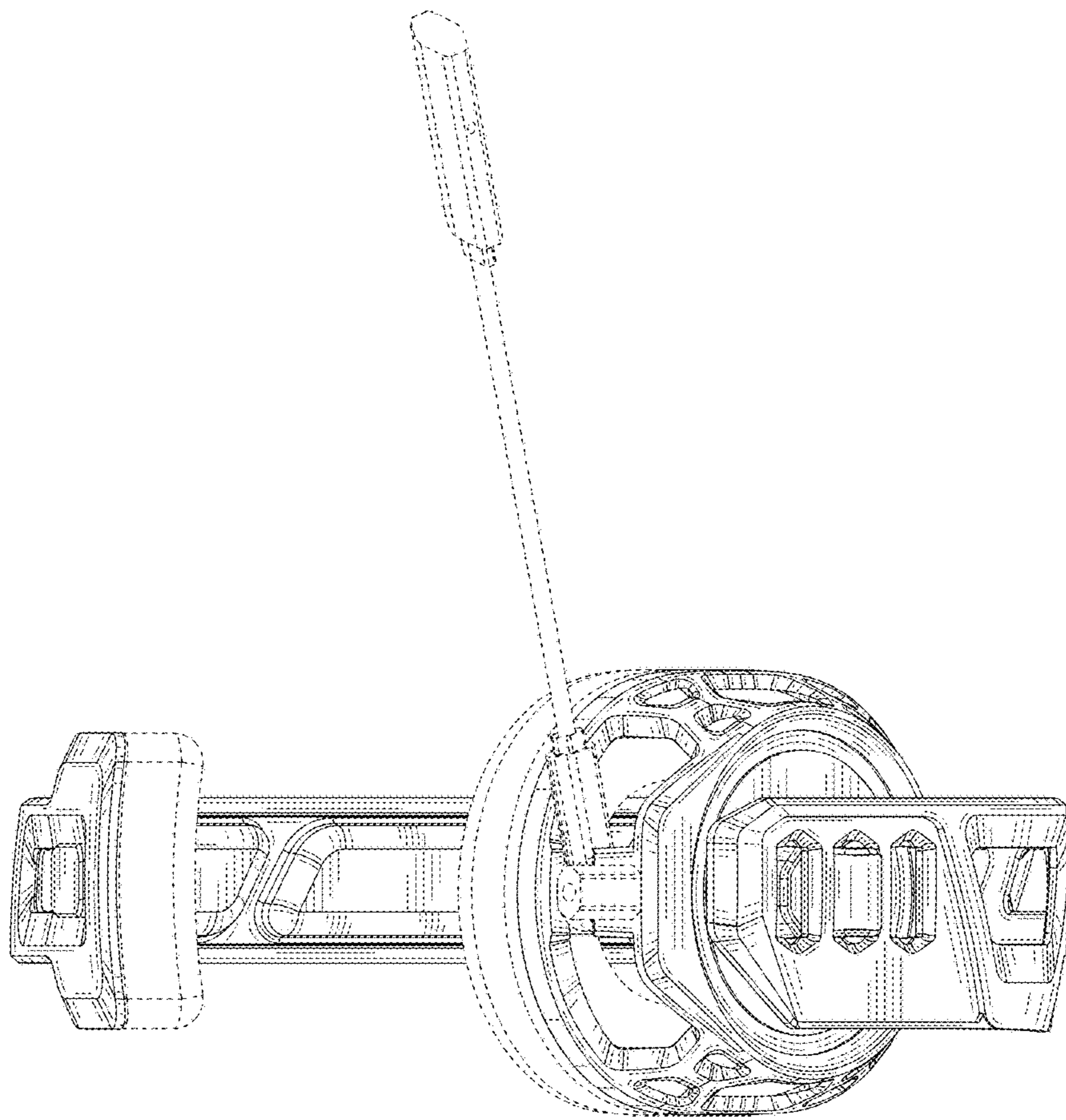


FIG. 8