



US00D843342S

(12) **United States Design Patent**  
**Yashiro**

(10) **Patent No.:** **US D843,342 S**  
(45) **Date of Patent:** **\*\* Mar. 19, 2019**

(54) **HEADPHONE**

(71) Applicant: **Sony Corporation**, Tokyo (JP)

(72) Inventor: **Shogo Yashiro**, Kanagawa (JP)

(73) Assignee: **SONY CORPORATION**, Tokyo (JP)

(\*\*) Term: **15 Years**

(21) Appl. No.: **29/595,122**

(22) Filed: **Feb. 24, 2017**

(30) **Foreign Application Priority Data**

Aug. 30, 2016 (CN) ..... 2016 3 0444876

(51) **LOC (11) Cl.** ..... **14-01**

(52) **U.S. Cl.**  
USPC ..... **D14/205**; D14/210

(58) **Field of Classification Search**  
USPC ..... D14/205, 188, 192, 219, 206, 204, 210,  
D14/215, 217, 221, 222; D13/162, 184,  
D13/199; D23/365, 412, 328, 370, 393,  
D23/388, 209, 261; D5/47, 54;  
D24/189; D26/122; D8/382; D25/153;  
181/128, 129, 130, 135, 155; 381/404,  
381/398, 380, 381, 413, 426; 52/670;  
D29/112; 2/209; D7/667, 392.1, 396.2,  
D7/900, 510; 4/292, 293, 286; 210/445,  
210/448

CPC ..... H04R 25/00; H04R 1/1016; H04R 1/10;  
H04R 5/033; H04R 5/0335; H04R 1/02;  
H04R 1/24; H04R 5/00; H04R 1/105;  
H05K 5/00; E03C 1/26; B01D 37/00

See application file for complete search history.

(56) **References Cited**

**U.S. PATENT DOCUMENTS**

D27,594 S \* 8/1897 Downey ..... D7/667  
1,080,953 A \* 12/1913 Catucci ..... H04R 7/14  
181/164

1,135,451 A \* 4/1915 Heath ..... F04D 29/326  
416/189  
1,458,464 A \* 6/1923 Byers ..... B01D 35/02  
210/445  
1,494,882 A \* 5/1924 Barger ..... E03O 1/264  
4/292  
1,873,062 A \* 8/1932 Sollie ..... H04R 9/04  
181/172  
1,882,974 A \* 10/1932 Schlenker ..... H04R 7/20  
181/168  
1,888,442 A \* 11/1932 Abrahams ..... H04R 1/30  
181/155  
1,978,920 A \* 10/1934 Van Deventer ..... H03J 1/04  
181/141  
1,990,420 A \* 2/1935 Staff ..... A42B 5/00  
2/207  
D98,715 S \* 2/1936 Engholm ..... D14/219  
D107,667 S \* 12/1937 Tannenbaum ..... D5/47  
2,175,849 A \* 10/1939 Oliner ..... A45D 8/40  
132/274

(Continued)

*Primary Examiner* — Paula Allen Greene

(74) *Attorney, Agent, or Firm* — Michael Best & Friedrich LLP

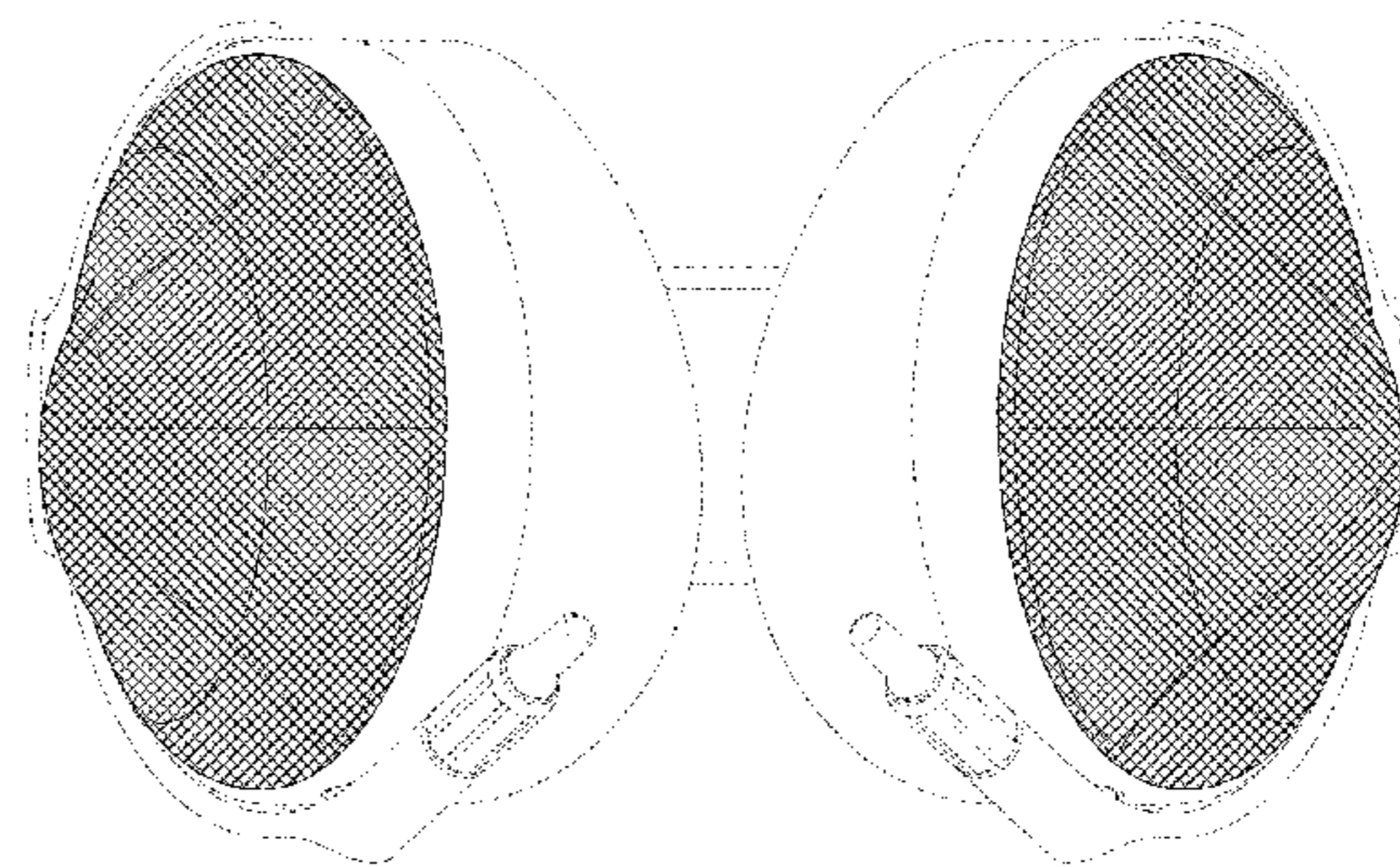
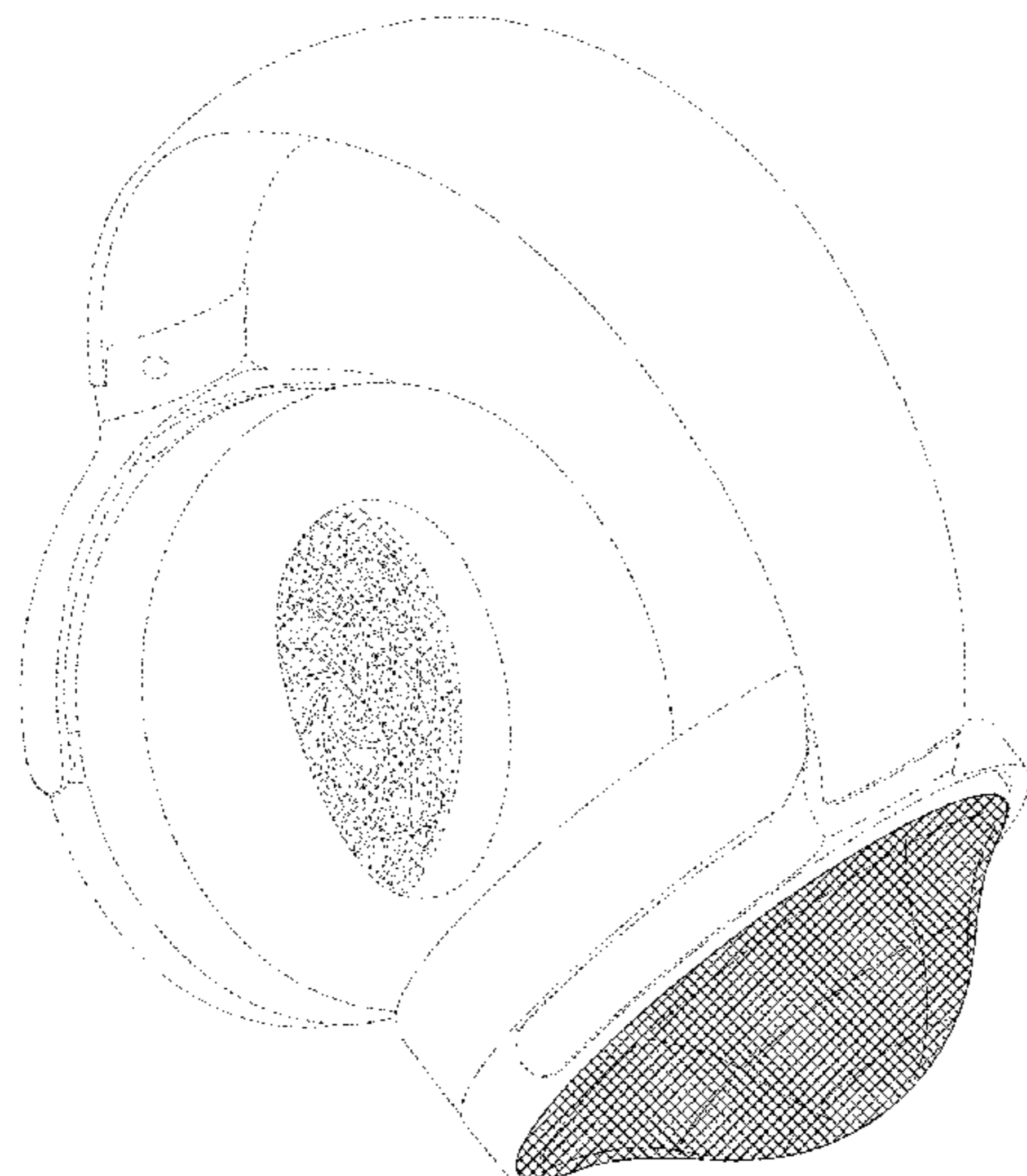
(57) **CLAIM**

The ornamental design for a headphone, as shown and described.

**DESCRIPTION**

FIG. 1 is a perspective view of a headphone showing my new design;  
FIG. 2 is a front elevational view thereof;  
FIG. 3 is a rear elevational view thereof;  
FIG. 4 is a left side elevational view thereof;  
FIG. 5 is a right side elevational view thereof; and,  
FIG. 6 is a bottom plan view thereof.  
The broken lines illustrating unclaimed portions of the headphone form no part of the claimed design.

**1 Claim, 5 Drawing Sheets**





(56)

References Cited

U.S. PATENT DOCUMENTS

D185,505 S \* 6/1959 Lowell ..... D14/219  
 2,957,308 A \* 10/1960 Long ..... F02C 7/04  
 3,076,892 A \* 2/1963 Stiffel ..... F21V 11/06  
 362/232  
 D203,071 S \* 11/1965 Fillmore ..... D25/155  
 3,276,538 A \* 10/1966 Guyton ..... H04R 1/30  
 181/141  
 3,294,242 A \* 12/1966 Notari ..... B01D 25/26  
 210/347  
 3,327,708 A \* 6/1967 Sokolowski ..... A61F 13/15642  
 156/290  
 3,328,537 A \* 6/1967 Hecht ..... H04R 7/12  
 181/169  
 D209,249 S \* 11/1967 Milletello ..... D23/412  
 3,362,501 A \* 1/1968 Lenahan ..... G01N 29/28  
 181/141  
 3,376,452 A \* 4/1968 Lally ..... H05B 33/26  
 313/505  
 3,500,991 A \* 3/1970 Vogt ..... B01D 39/1661  
 198/714  
 3,506,981 A \* 4/1970 Stewart ..... A61F 11/14  
 2/209  
 3,512,088 A \* 5/1970 Ross ..... H04R 1/1008  
 181/18  
 3,694,867 A \* 10/1972 Stumpf ..... A44B 18/0034  
 24/448  
 D227,677 S \* 7/1973 Koch ..... D14/219  
 D239,812 S \* 5/1976 Gould ..... D21/723  
 4,037,064 A \* 7/1977 Yasuda ..... H04R 1/08  
 381/26  
 D246,519 S \* 11/1977 Kato ..... D14/205  
 D254,490 S \* 3/1980 Matsubara ..... 181/157  
 D257,364 S \* 10/1980 Molenaar ..... D21/458  
 D262,019 S \* 11/1981 Upshaw ..... D14/205  
 D264,209 S \* 5/1982 Ishizaki ..... D14/215  
 D274,723 S \* 7/1984 Kawachi ..... D14/212  
 D335,529 S \* 5/1993 San-Jou ..... D23/324  
 D345,163 S \* 3/1994 Yamatogi ..... D14/205  
 D356,089 S \* 3/1995 Hedaya ..... D14/215  
 5,897,787 A \* 4/1999 Keller ..... B01D 29/33  
 210/767  
 D410,466 S \* 6/1999 Mouri ..... D14/205  
 D420,356 S \* 2/2000 Suzuki ..... D14/205  
 D432,542 S \* 10/2000 Bath ..... D14/441  
 D435,249 S \* 12/2000 Yasutomi ..... D14/205  
 D451,595 S \* 12/2001 Chen ..... D23/382  
 6,377,145 B1 \* 4/2002 Kumagai ..... H04R 7/16  
 310/29  
 D457,512 S 5/2002 Yoneda  
 D457,874 S 5/2002 Yoneda  
 D467,580 S \* 12/2002 Mori ..... D14/223  
 6,625,819 B1 \* 9/2003 Tsai ..... A61F 11/14  
 181/129  
 D492,286 S \* 6/2004 Azumi ..... D14/219

6,772,853 B2 \* 8/2004 Yang ..... H04R 1/1066  
 181/129  
 D506,551 S \* 6/2005 Booth ..... D24/162  
 D508,483 S \* 8/2005 Suzuki ..... D14/205  
 D531,952 S \* 11/2006 Sands ..... D12/211  
 D541,257 S \* 4/2007 Thursfield ..... D14/205  
 D552,077 S \* 10/2007 Brunner ..... D14/205  
 D555,777 S \* 11/2007 Aveldson ..... D23/365  
 D567,215 S \* 4/2008 Lee ..... D14/205  
 RE40,318 E 5/2008 Yoneda  
 7,388,960 B2 \* 6/2008 Kuo ..... H04R 1/1041  
 379/430  
 D575,875 S \* 8/2008 Robinson ..... D24/206  
 D578,202 S \* 10/2008 Borges ..... D23/412  
 D604,266 S \* 11/2009 Milde ..... D14/205  
 D609,328 S \* 2/2010 Mair ..... D23/388  
 D616,422 S \* 5/2010 Chen ..... D14/222  
 D616,423 S \* 5/2010 Chen ..... D14/222  
 7,736,499 B2 \* 6/2010 Chong ..... E03C 1/264  
 210/163  
 D619,565 S \* 7/2010 Chen ..... D14/216  
 7,853,034 B1 \* 12/2010 Gresko ..... H04R 5/033  
 381/370  
 7,869,615 B2 \* 1/2011 Chang ..... H04R 1/10  
 381/371  
 D635,958 S \* 4/2011 Ando ..... D14/205  
 D650,359 S \* 12/2011 Chen ..... D14/215  
 D650,360 S \* 12/2011 Chen ..... D14/215  
 D650,361 S \* 12/2011 Chen ..... D14/215  
 D654,920 S \* 2/2012 Wang ..... D14/441  
 D680,099 S \* 4/2013 Davies ..... D14/204  
 D695,261 S 12/2013 Katsumata  
 D714,255 S 9/2014 Sparks et al.  
 D715,252 S 10/2014 Sparks et al.  
 D719,136 S \* 12/2014 Schaal ..... D14/205  
 D721,055 S \* 1/2015 Sparks ..... D14/206  
 D722,041 S \* 2/2015 Sparks ..... D14/206  
 D724,562 S \* 3/2015 Sparks ..... D14/206  
 D727,283 S \* 4/2015 Dryden ..... D14/205  
 D728,512 S \* 5/2015 Nakagawa ..... D14/205  
 D735,161 S \* 7/2015 Sparks ..... D14/205  
 D735,691 S \* 8/2015 Sparks ..... D14/205  
 D740,254 S \* 10/2015 Huang ..... D14/205  
 D746,790 S \* 1/2016 Strasberg ..... D14/205  
 D746,791 S \* 1/2016 Yuen ..... D14/205  
 D752,020 S \* 3/2016 Petersen ..... D14/205  
 D765,055 S \* 8/2016 Hsieh ..... D14/205  
 D766,870 S \* 9/2016 Catalano ..... D14/205  
 D769,223 S \* 10/2016 Hinokio ..... D14/215  
 D770,414 S \* 11/2016 Davies ..... D14/215  
 D783,572 S \* 4/2017 Matthews ..... D14/205  
 D785,593 S \* 5/2017 Nakagawa ..... D14/205  
 D786,824 S \* 5/2017 Hembrey ..... D14/205  
 D808,358 S \* 1/2018 Dennis ..... D14/205  
 2012/0082324 A1 \* 4/2012 Choi ..... H04R 1/1091  
 381/151  
 2014/0030104 A1 \* 1/2014 Lee ..... F04D 19/007  
 416/223 R

\* cited by examiner

FIG. 1

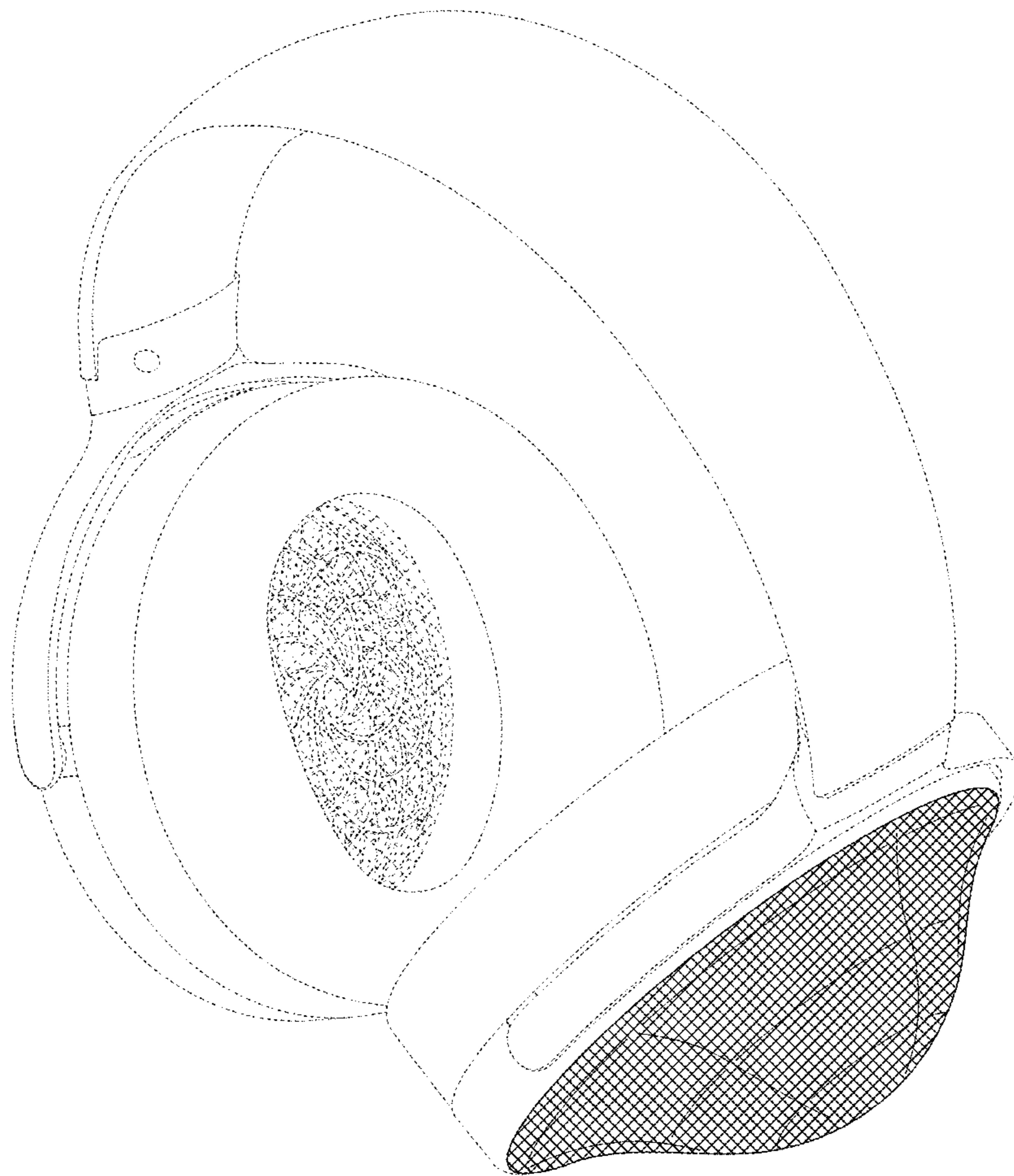


FIG.2

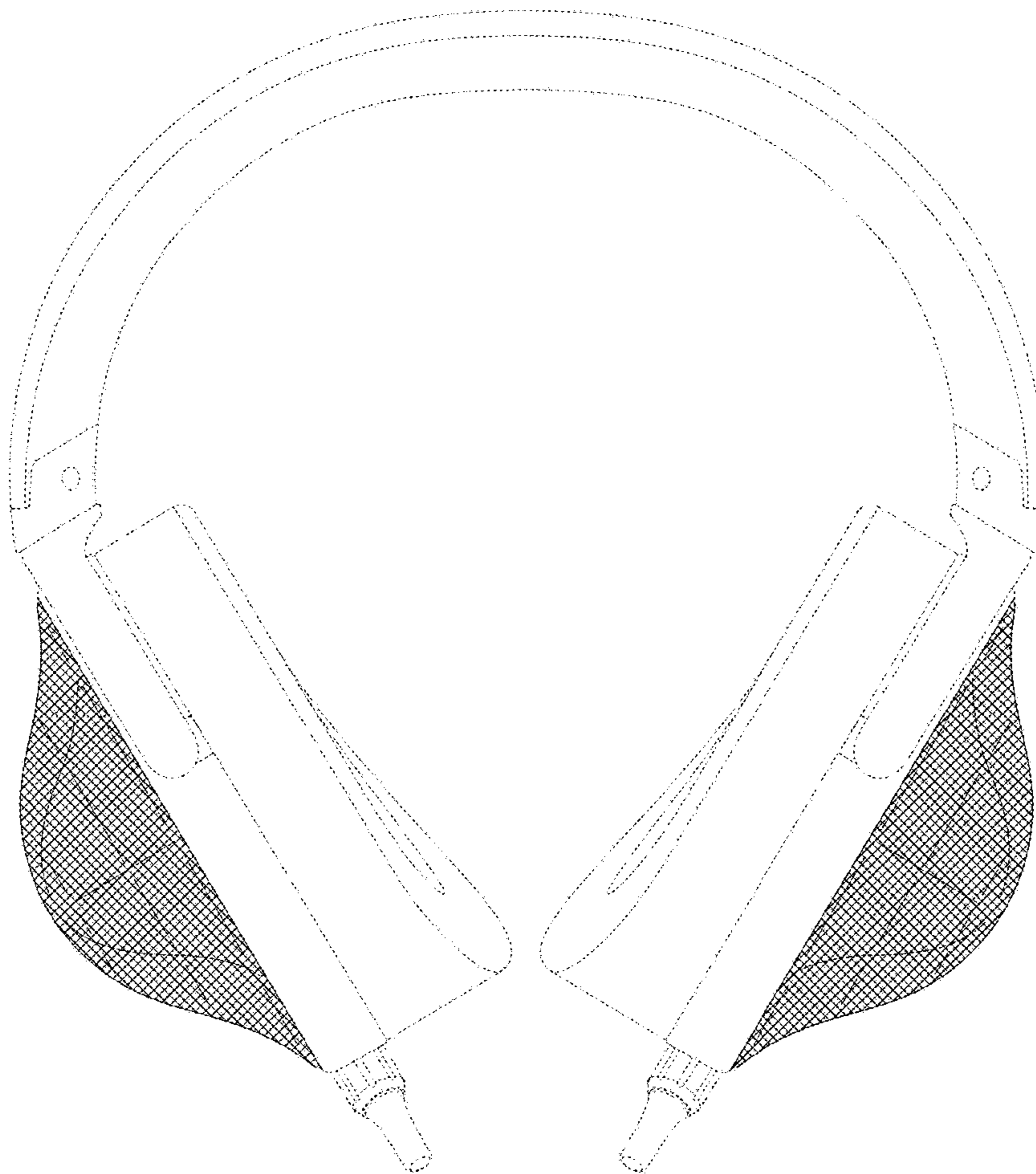




FIG.3

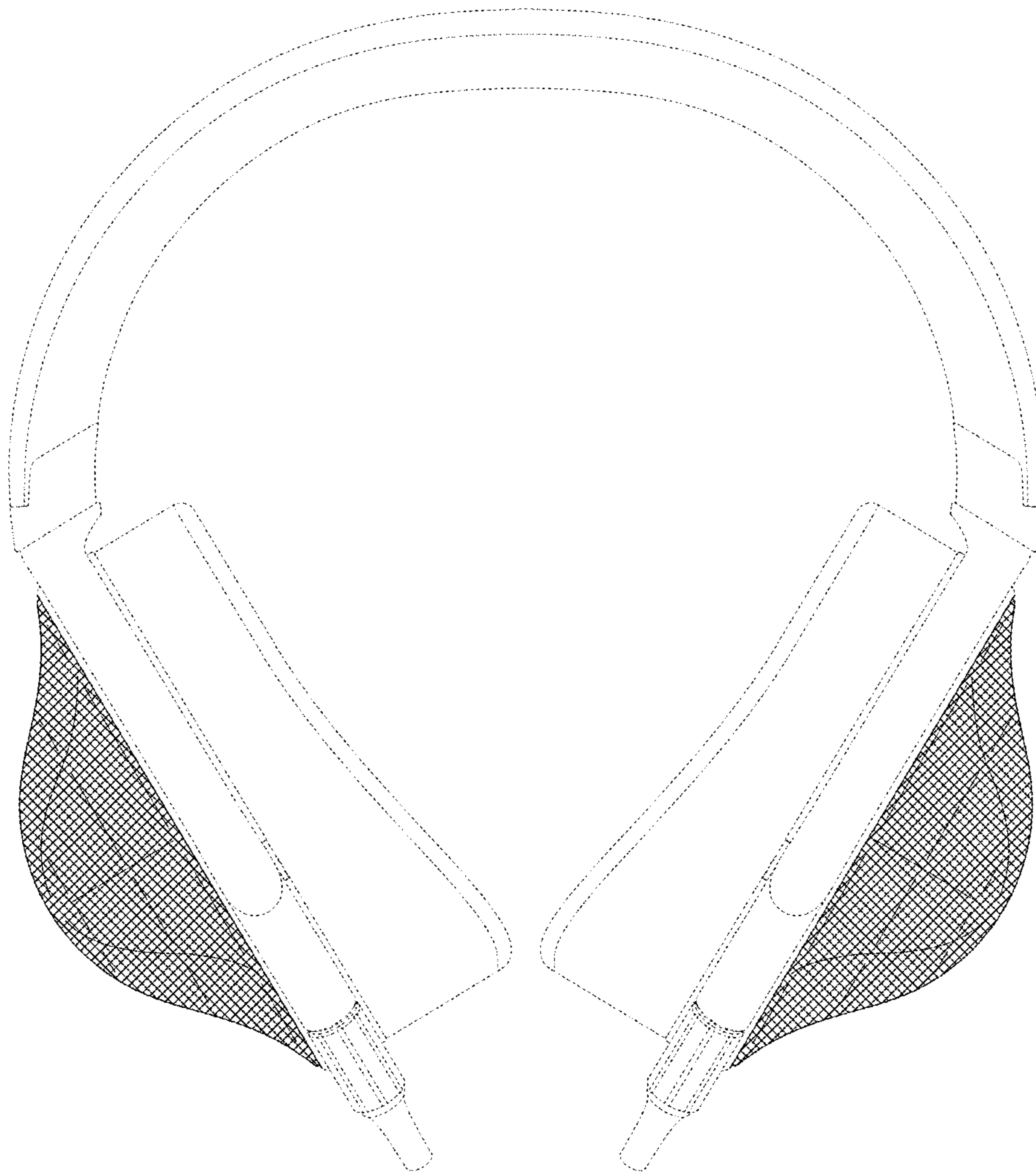


FIG.5

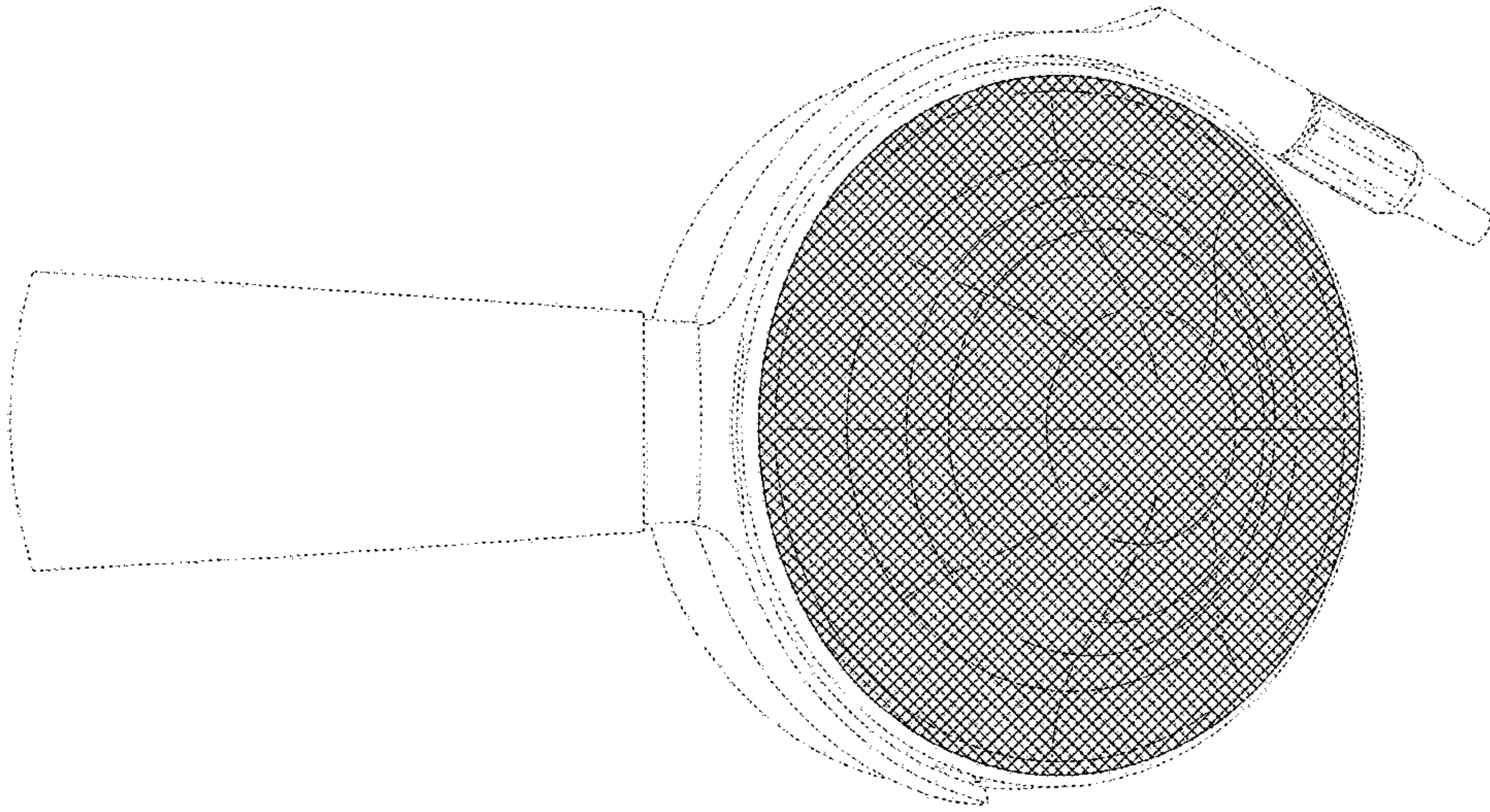


FIG.4

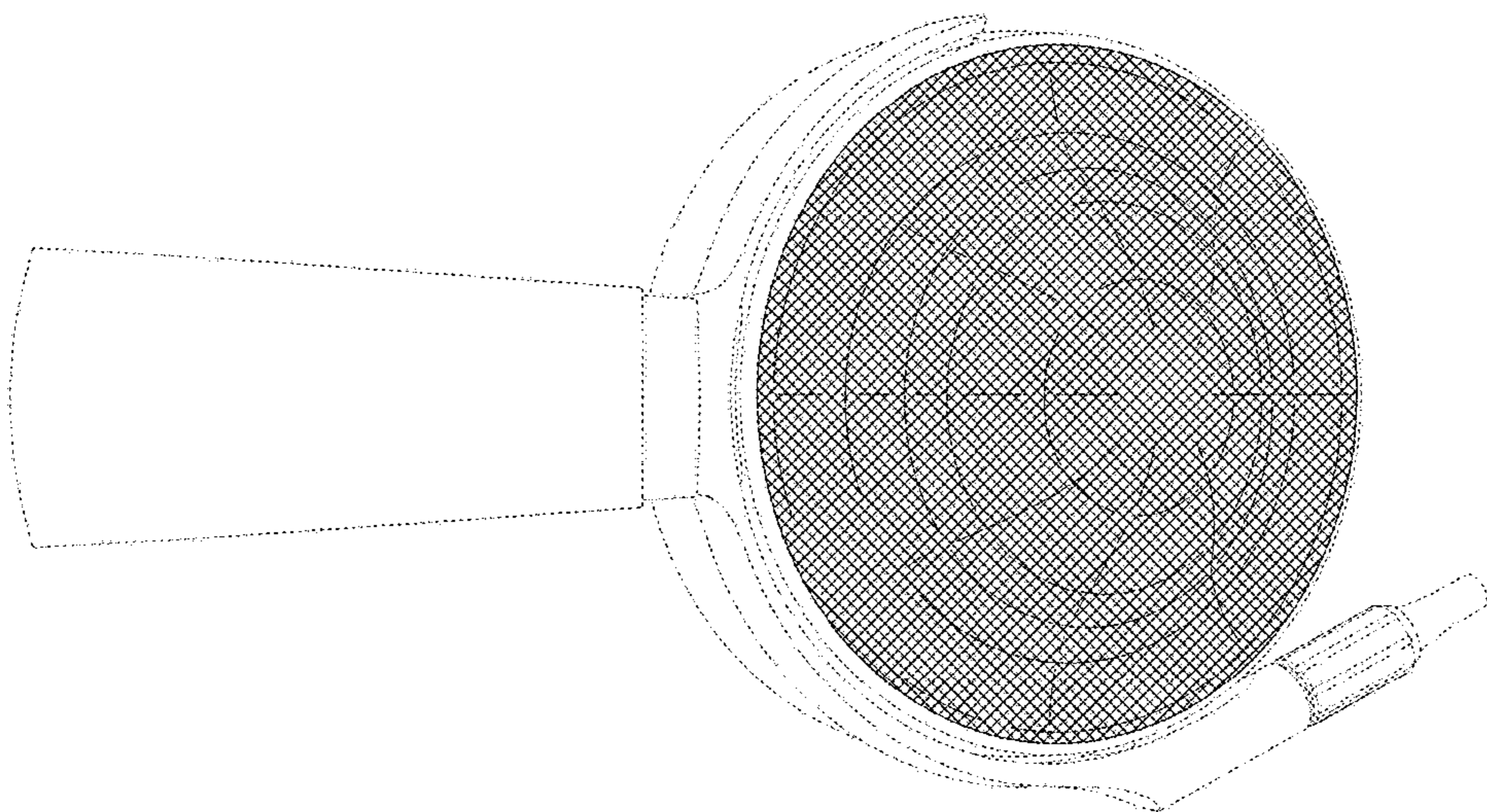




FIG.6

