



US00D843337S

(12) **United States Design Patent**  
**Nakagawa**

(10) **Patent No.:** **US D843,337 S**

(45) **Date of Patent:** **\*\* Mar. 19, 2019**

(54) **MICROPHONE**

(71) Applicant: **ICOM INCORPORATED**, Osaka-shi,  
Osaka (JP)

(72) Inventor: **Masashi Nakagawa**, Osaka (JP)

(73) Assignee: **ICOM INCORPORATED**, Osaka (JP)

(\*\*) Term: **15 Years**

(21) Appl. No.: **29/563,320**

(22) Filed: **May 4, 2016**

(30) **Foreign Application Priority Data**

Nov. 5, 2015 (JP) ..... D2015-024663

(51) **LOC (11) Cl.** ..... **14-03**

(52) **U.S. Cl.**  
USPC ..... **D14/137; D14/225**

(58) **Field of Classification Search**  
USPC ..... D14/154, 167, 168, 217, 225, 226, 227,  
D14/228, 229, 432, 483, 497, 511, 137  
CPC .. H04R 2410/00; H04R 1/00; H04R 2410/01;  
H04R 2410/03; H04R 2410/05; H04R  
2410/07; H04R 27/00; H04R 27/02;  
H04R 27/04

See application file for complete search history.

(56) **References Cited**

**U.S. PATENT DOCUMENTS**

D388,094 S \* 12/1997 Tokiyama ..... D14/204  
D526,993 S \* 8/2006 Richards ..... D14/188  
D540,289 S \* 4/2007 Liu ..... D14/137  
D540,765 S \* 4/2007 Pritchard ..... D14/137  
D584,712 S \* 1/2009 Okkonen ..... D14/138 AA  
D587,690 S \* 3/2009 Onodera ..... D14/225  
D589,919 S \* 4/2009 Bower ..... D14/138 AA  
D611,022 S \* 3/2010 Puhalla ..... D14/138 AA  
D618,202 S \* 6/2010 Chaumont ..... D14/138 AA  
D620,466 S \* 7/2010 Kim ..... D14/138 AA

D632,679 S \* 2/2011 Emge ..... D14/225  
D654,035 S \* 2/2012 Ismail ..... D14/137  
D662,483 S \* 6/2012 Kaner ..... D14/137  
D677,238 S \* 3/2013 Shioya ..... D14/138 AA  
D721,348 S \* 1/2015 Plaschke ..... D14/138 AA  
D722,991 S \* 2/2015 Plaschke ..... D14/138 AA  
D754,089 S \* 4/2016 Yong ..... D14/137  
D761,224 S \* 7/2016 Khairudin ..... D14/137  
9,461,605 B2 \* 10/2016 Sekiyama ..... H03G 3/20

(Continued)

**OTHER PUBLICATIONS**

WayBack Machine—CommandMic HM-218, announced Jul. 31, 2018 (dated via web archive) [online], [site visited Jul. 31, 2018]. Available from internet, URL: <[https://web.archive.org/web/20180731193402/https://www.icom.co.jp/world/products/land\\_mobile/options/HM-218/](https://web.archive.org/web/20180731193402/https://www.icom.co.jp/world/products/land_mobile/options/HM-218/)> (Year: 2018).\*

(Continued)

*Primary Examiner* — Keli L Hill

(74) *Attorney, Agent, or Firm* — Birch, Stewart, Kolasch & Birch, LLP

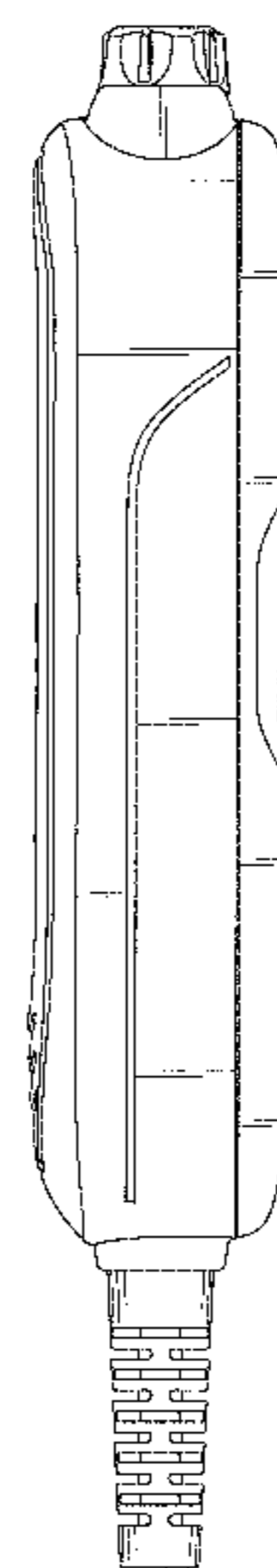
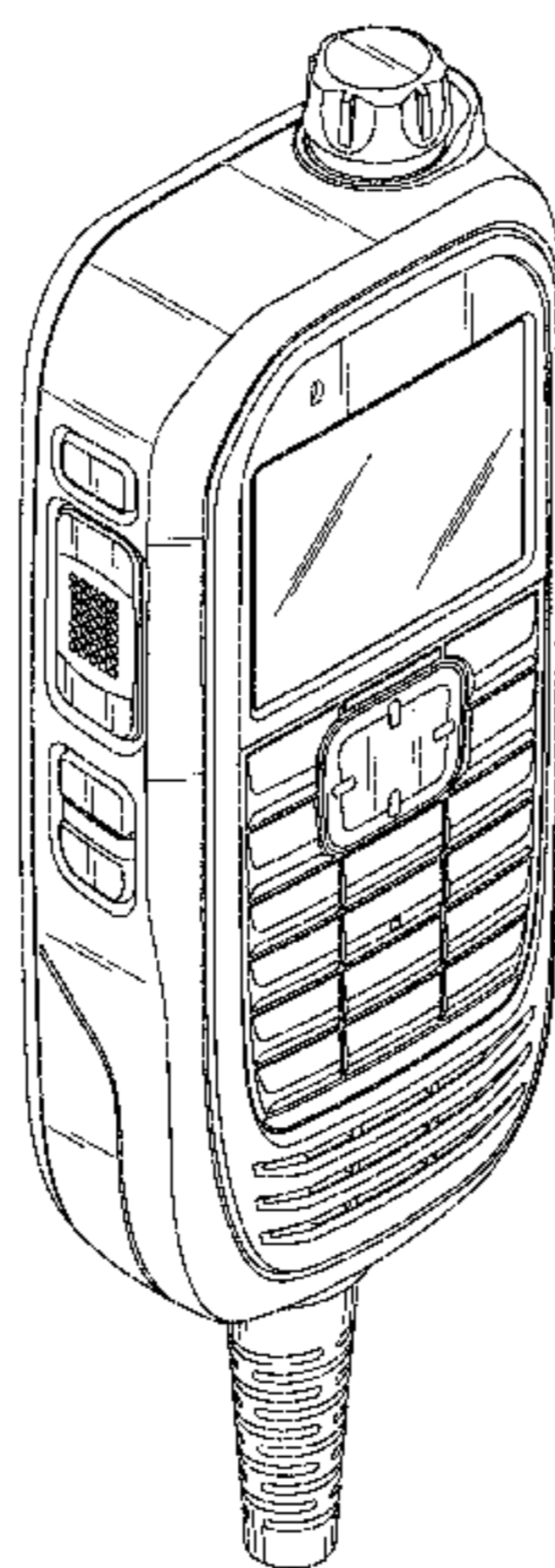
(57) **CLAIM**

The ornamental design for a microphone, as shown and described.

**DESCRIPTION**

FIG. 1 is a perspective view of the microphone; FIG. 2 is a front view of the microphone; FIG. 3 is a rear view of the microphone; FIG. 4 is a left side view of the microphone; FIG. 5 is a right side view of the microphone; FIG. 6 is a top view of the microphone; FIG. 7 is a bottom view of the microphone; and, FIG. 8 is an enlarged bottom view of the microphone. The broken lines shown are included for the purpose of illustrating portions of the microphone that form no part of the claim.

**1 Claim, 6 Drawing Sheets**



(56)

**References Cited**

U.S. PATENT DOCUMENTS

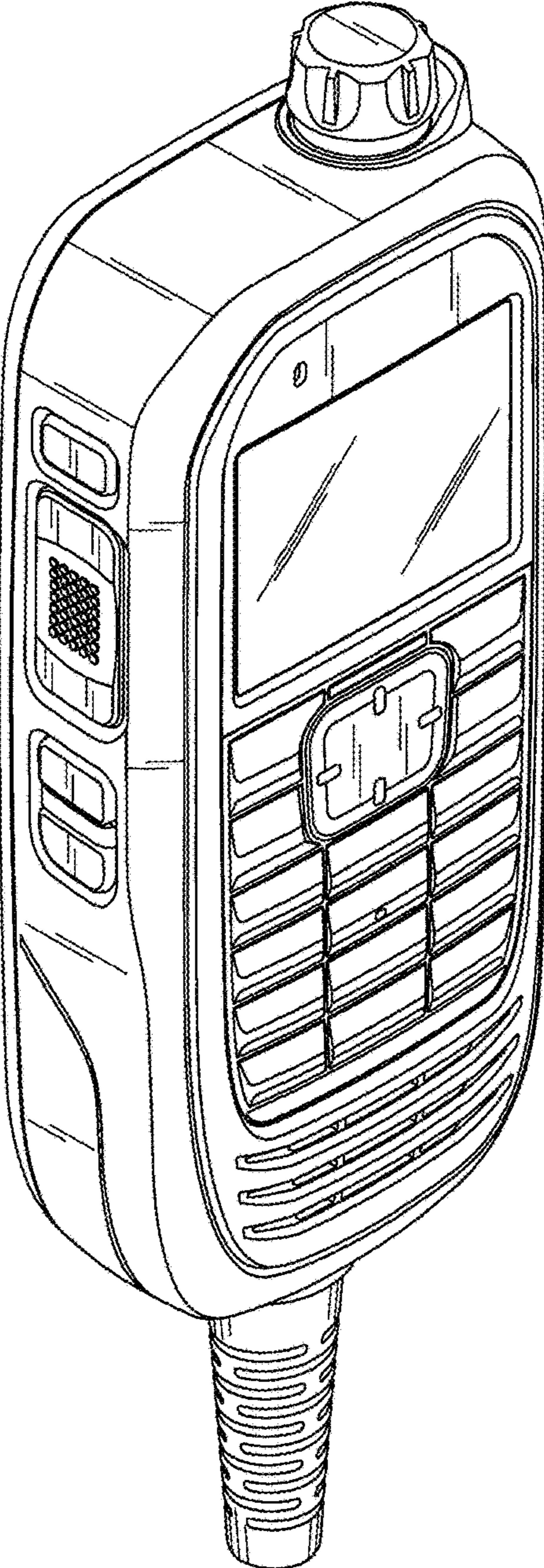
D796,467 S \* 9/2017 Oikawa ..... D14/137  
D797,069 S \* 9/2017 Nishizawa ..... D14/137  
D810,040 S \* 2/2018 Nakagawa ..... D14/137  
D816,639 S \* 5/2018 Abe ..... D14/226  
D819,590 S \* 6/2018 Nakagawa ..... D14/137

OTHER PUBLICATIONS

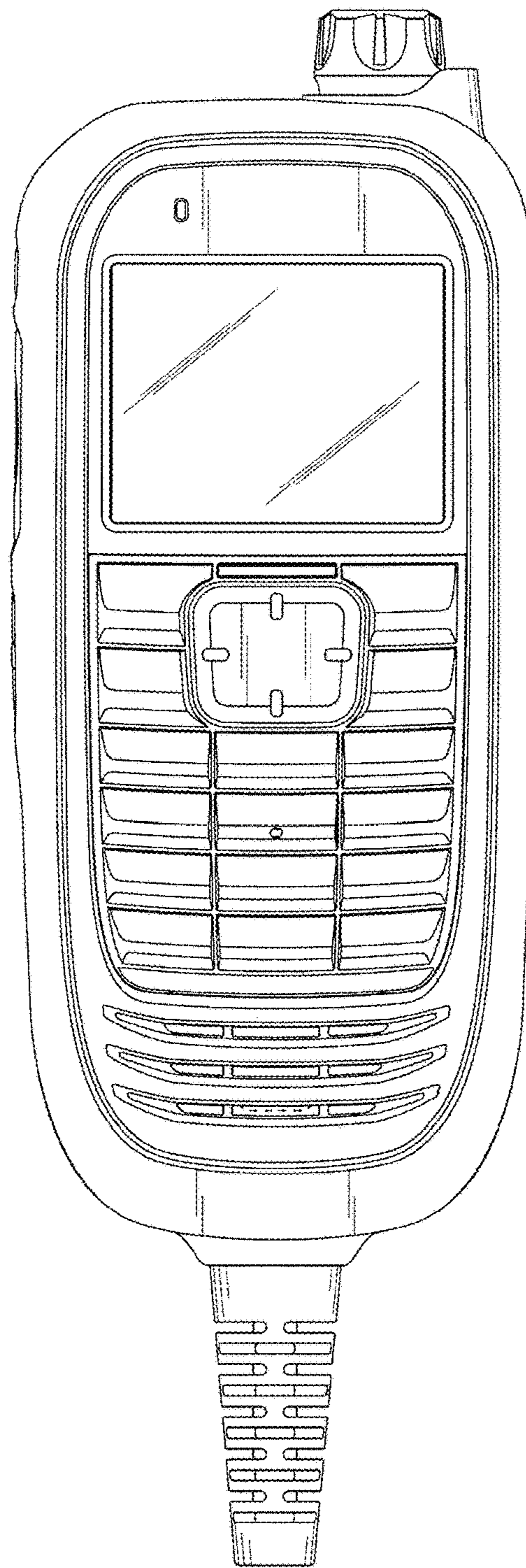
WayBack Machine—HM157B CommandMic, announced Jul. 31, 2018 (dated via web archive) [online], [site visited Jul. 31, 2018]. Available from internet, URL: <<https://web.archive.org/web/20180731193525/https://www.radioresearch.us/Icom-HM157B-Command-Mic-II-Microphone-for-Marine-p/hm157.htm>> (Year: 2018).\*

West Marine—CommandMic Radio Microphone, announced 2016 (dated via oldest Q&A post) [online], [site visited Jul. 31, 2018]. Available from internet, URL: <<https://www.westmarine.com/buy/icom--commandmic-iv-vhf-radio-microphone--12960621>> (Year: 2016).\*

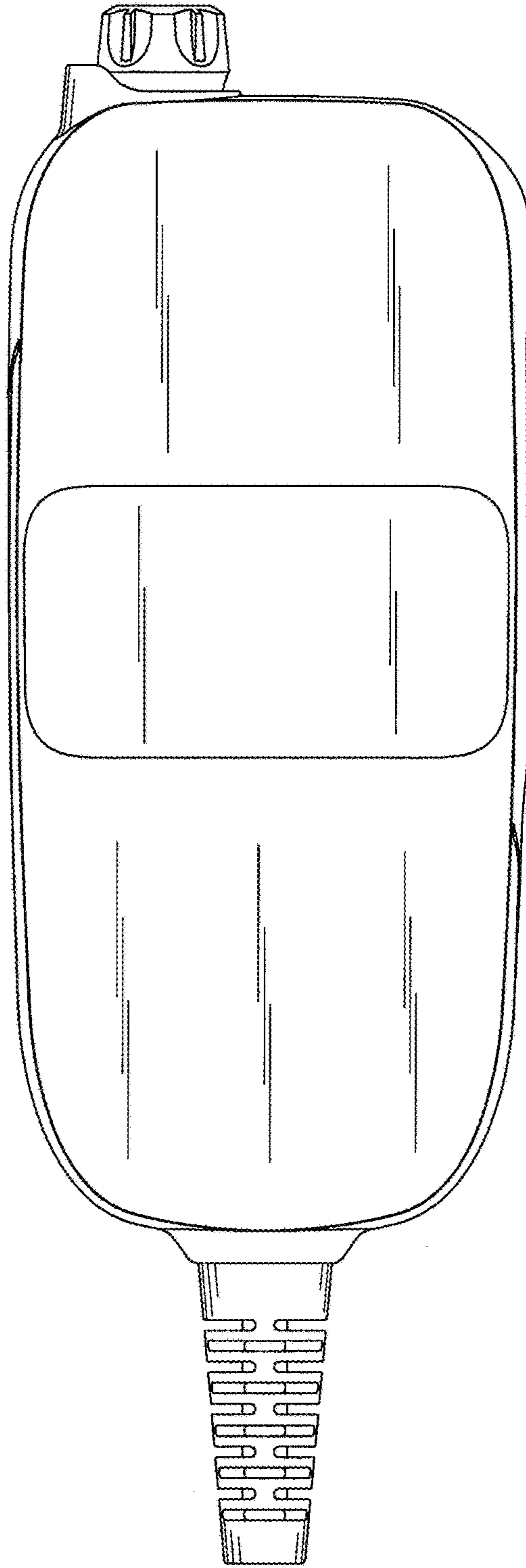
\* cited by examiner



**FIG. 1**



**FIG. 2**



**FIG. 3**

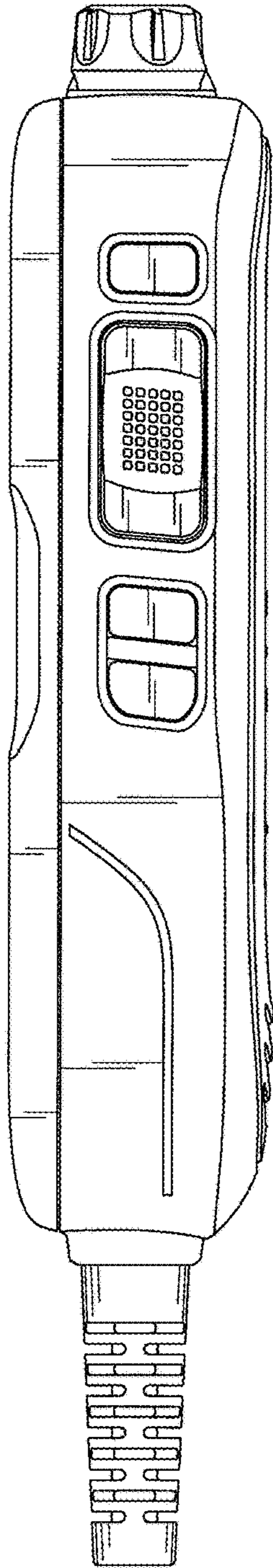


FIG. 4

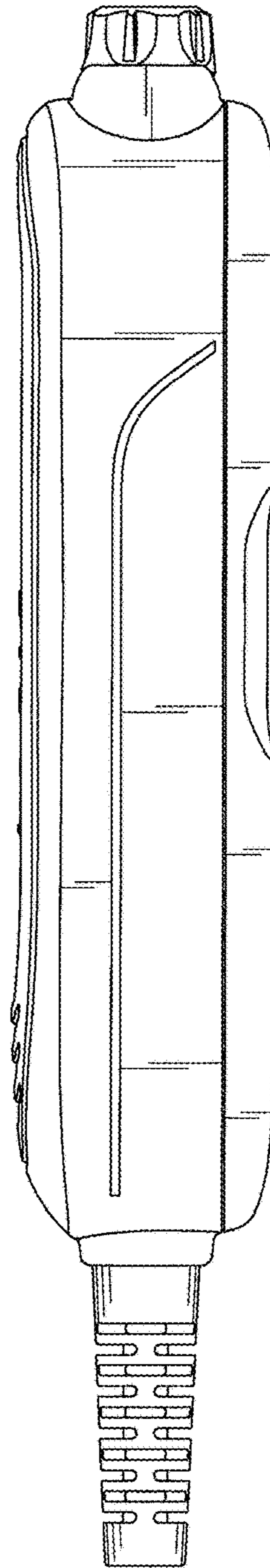
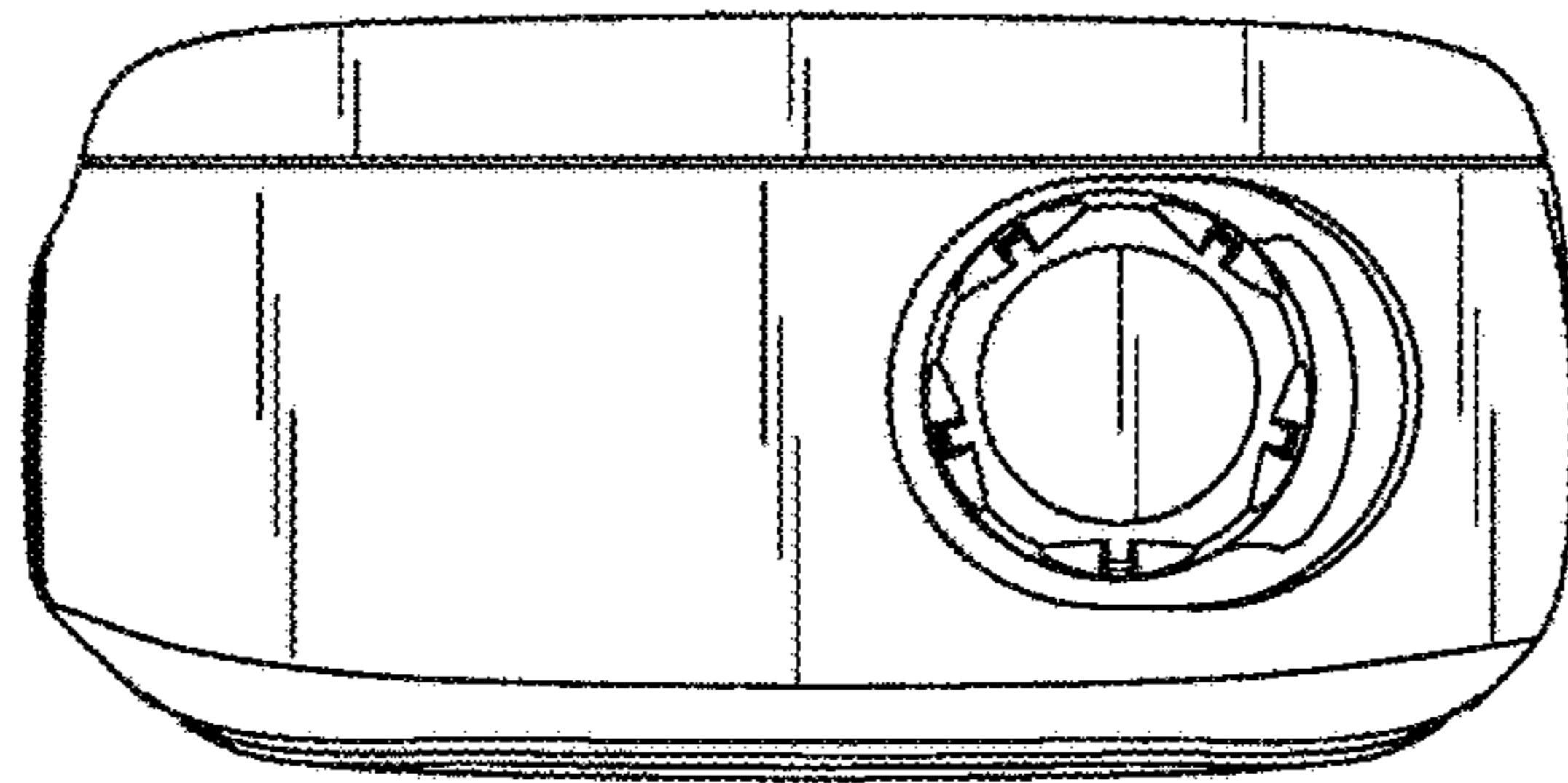
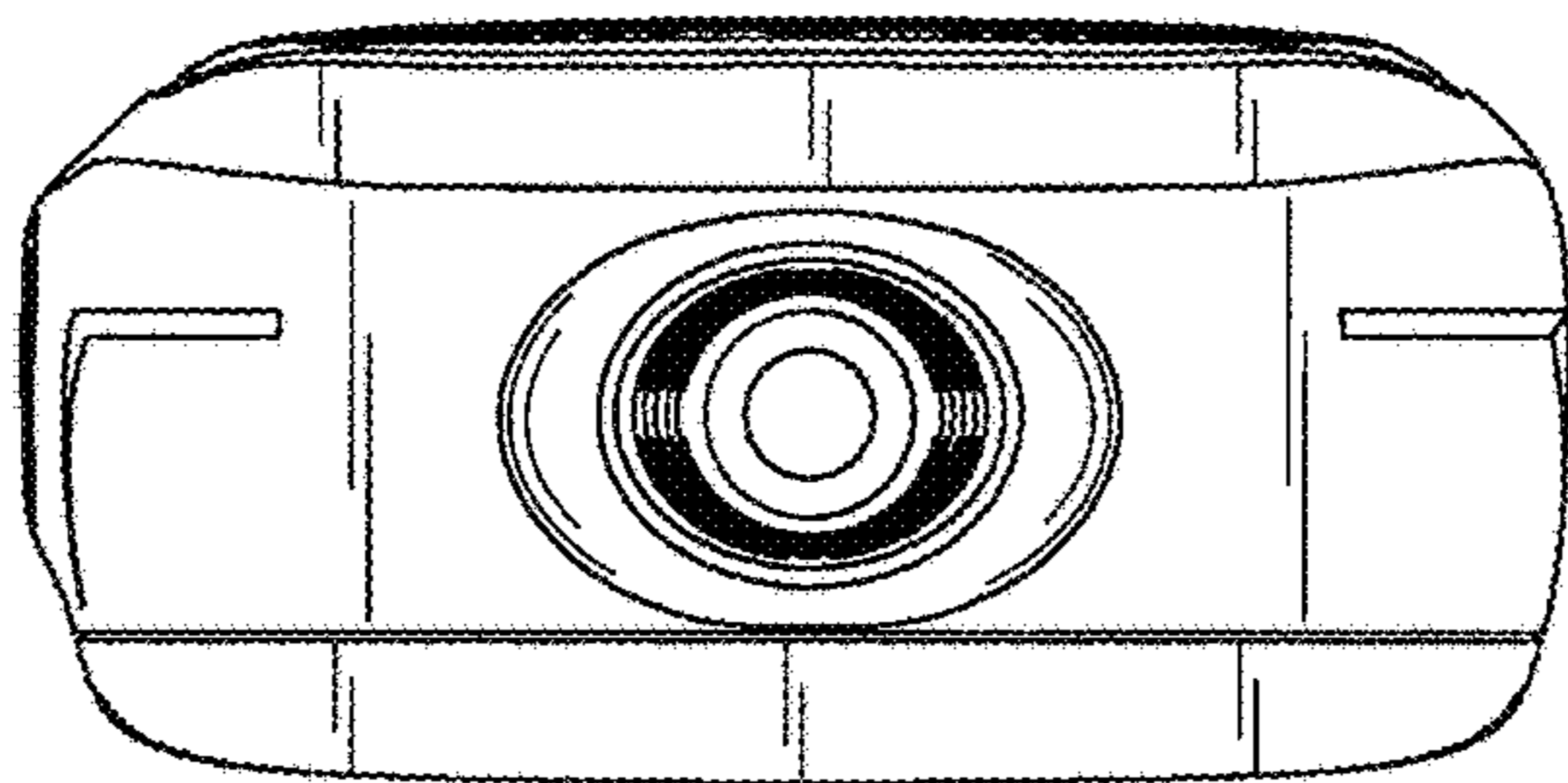


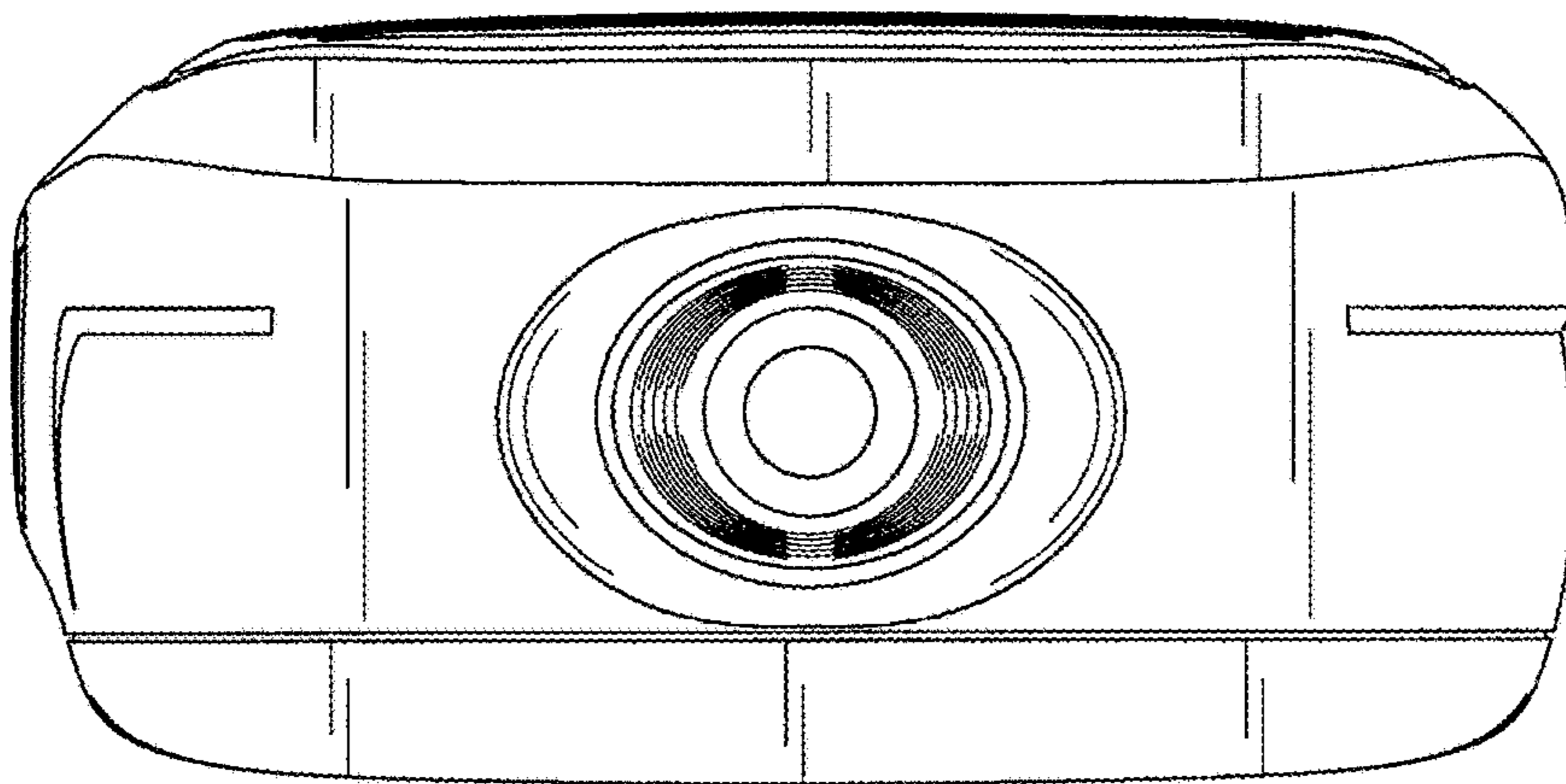
FIG. 5



*FIG. 6*



*FIG. 7*



*FIG. 8*