



US00D843336S

(12) **United States Design Patent**
Wu

(10) **Patent No.:** **US D843,336 S**

(45) **Date of Patent:** **** Mar. 19, 2019**

(54) **AV SENDER**

D784,939 S * 4/2017 Luo D14/125
D804,439 S * 12/2017 Li D14/125

(71) Applicant: **Shenzhen PaQi Technology Co., Ltd.**,
Shenzhen (CN)

* cited by examiner

(72) Inventor: **Zhenpei Wu**, Lufeng (CN)

Primary Examiner — Randall H Gholson

(74) *Attorney, Agent, or Firm* — Wayne & King LLC

(**) Term: **15 Years**

(21) Appl. No.: **29/629,347**

(57) **CLAIM**

(22) Filed: **Dec. 13, 2017**

The ornamental design for an AV sender, as shown and described.

(51) **LOC (11) Cl.** **14-03**

(52) **U.S. Cl.**
USPC **D14/125**

DESCRIPTION

(58) **Field of Classification Search**
USPC D14/125, 357–358, 496, 188, 242, 432;
D13/184; 348/10, 460, 706, 731;
340/825.03; 455/6.1, 6.2; 312/223.1, 7.2
CPC H04N 21/00; H04N 21/20; H04N 21/40
See application file for complete search history.

FIG. 1 is a perspective view of a AV sender showing my new design;
FIG. 2 is a front view thereof;
FIG. 3 is a rear view thereof;
FIG. 4 is a left view thereof;
FIG. 5 is a right view thereof;
FIG. 6 is a top view thereof; and,
FIG. 7 is a bottom view thereof.

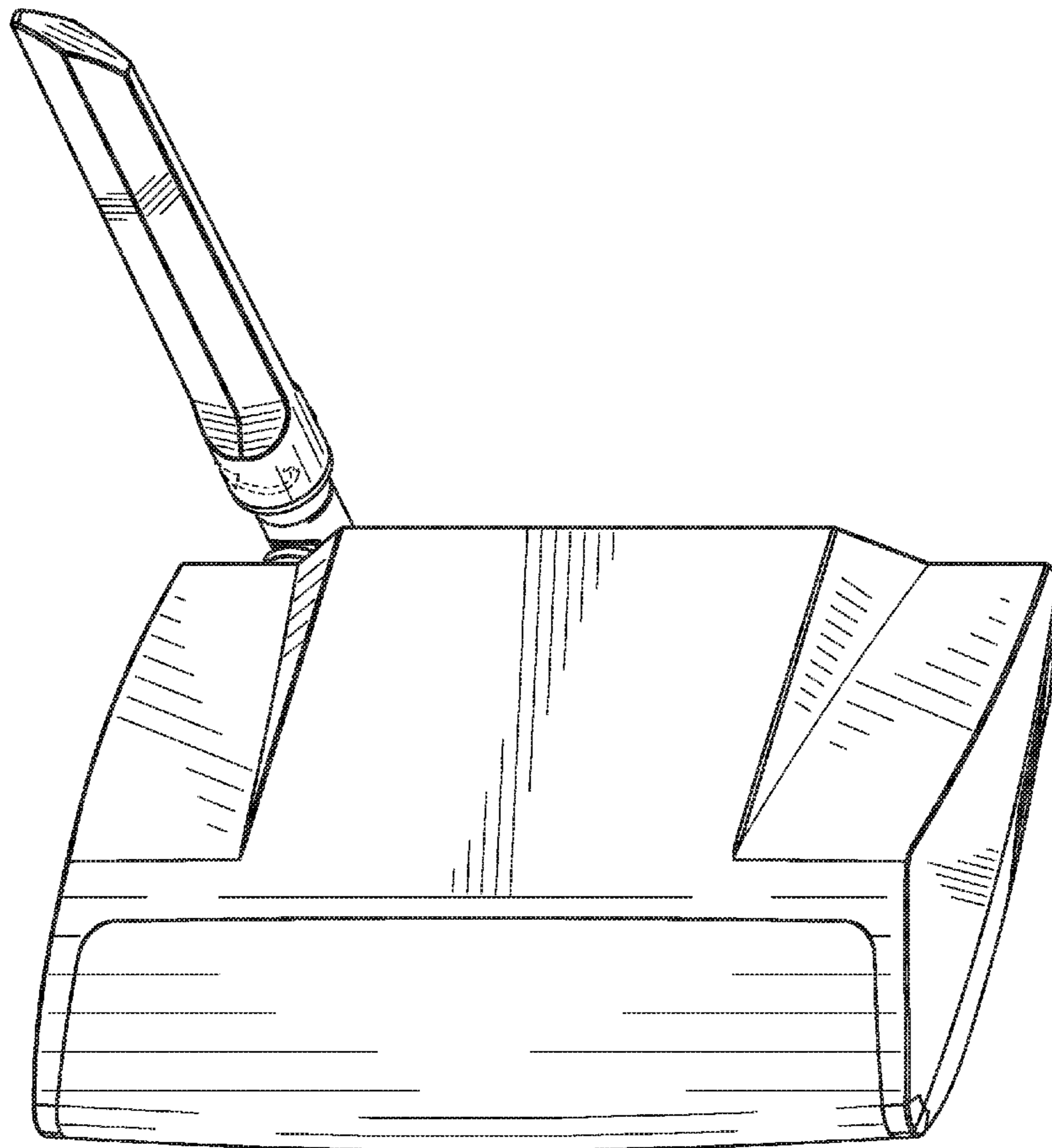
(56) **References Cited**

U.S. PATENT DOCUMENTS

The broken lines are for the purposes of illustrating portions of the AV sender and form no part of the claimed design.

D580,422 S * 11/2008 Lee D14/240
D759,012 S * 6/2016 Golden D10/50

1 Claim, 7 Drawing Sheets



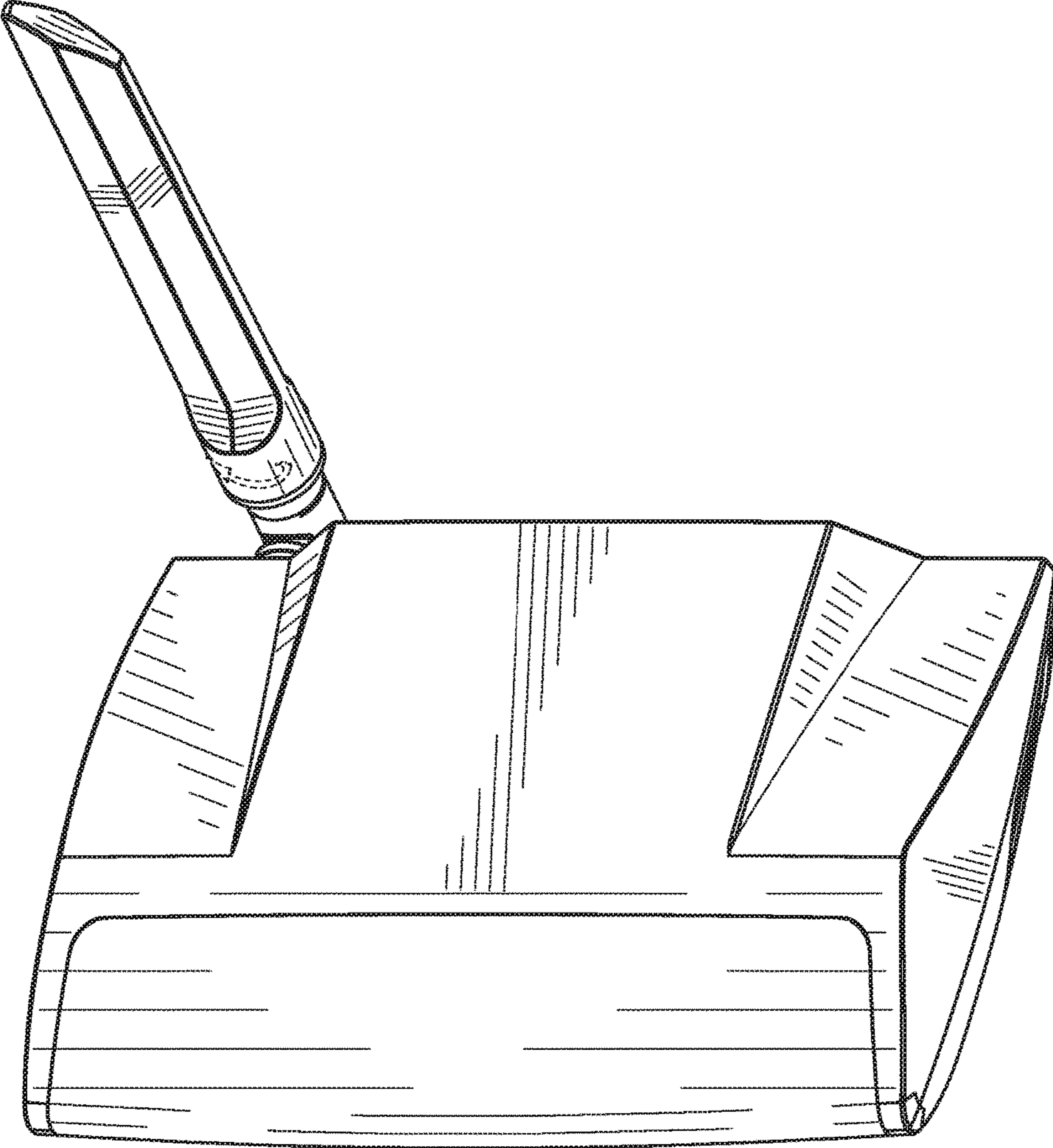


Fig. 1

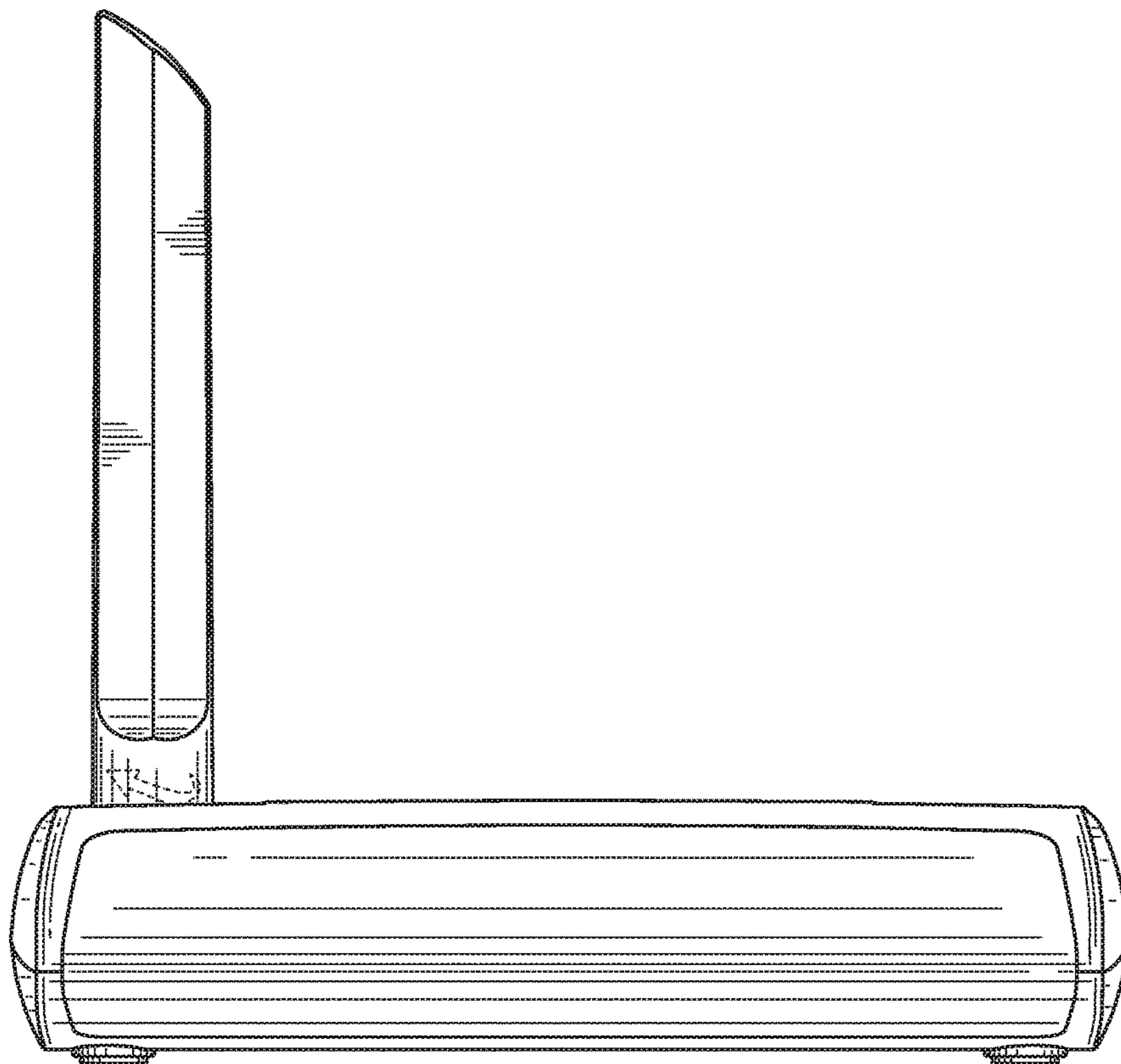


Fig. 2

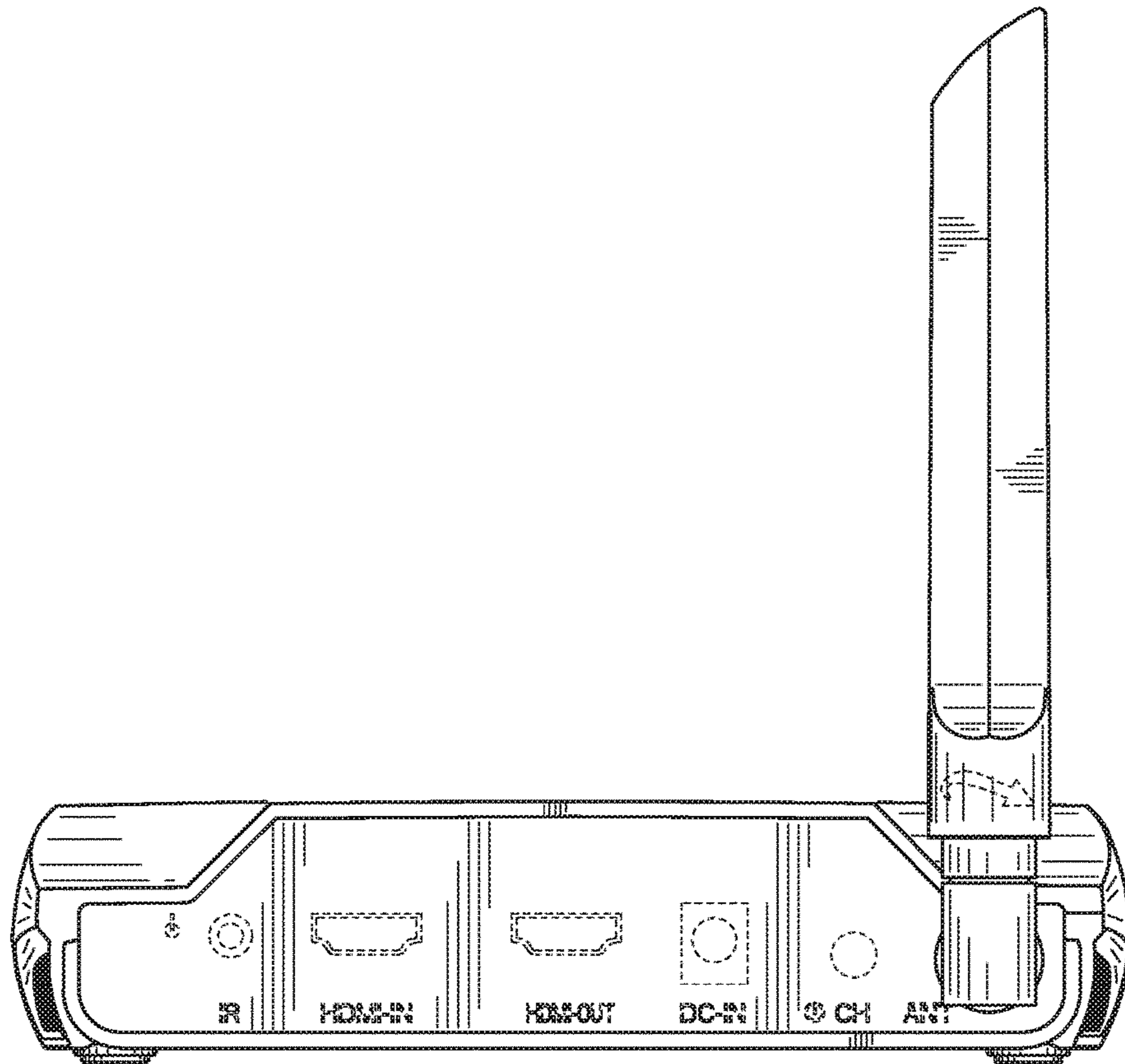


Fig. 3

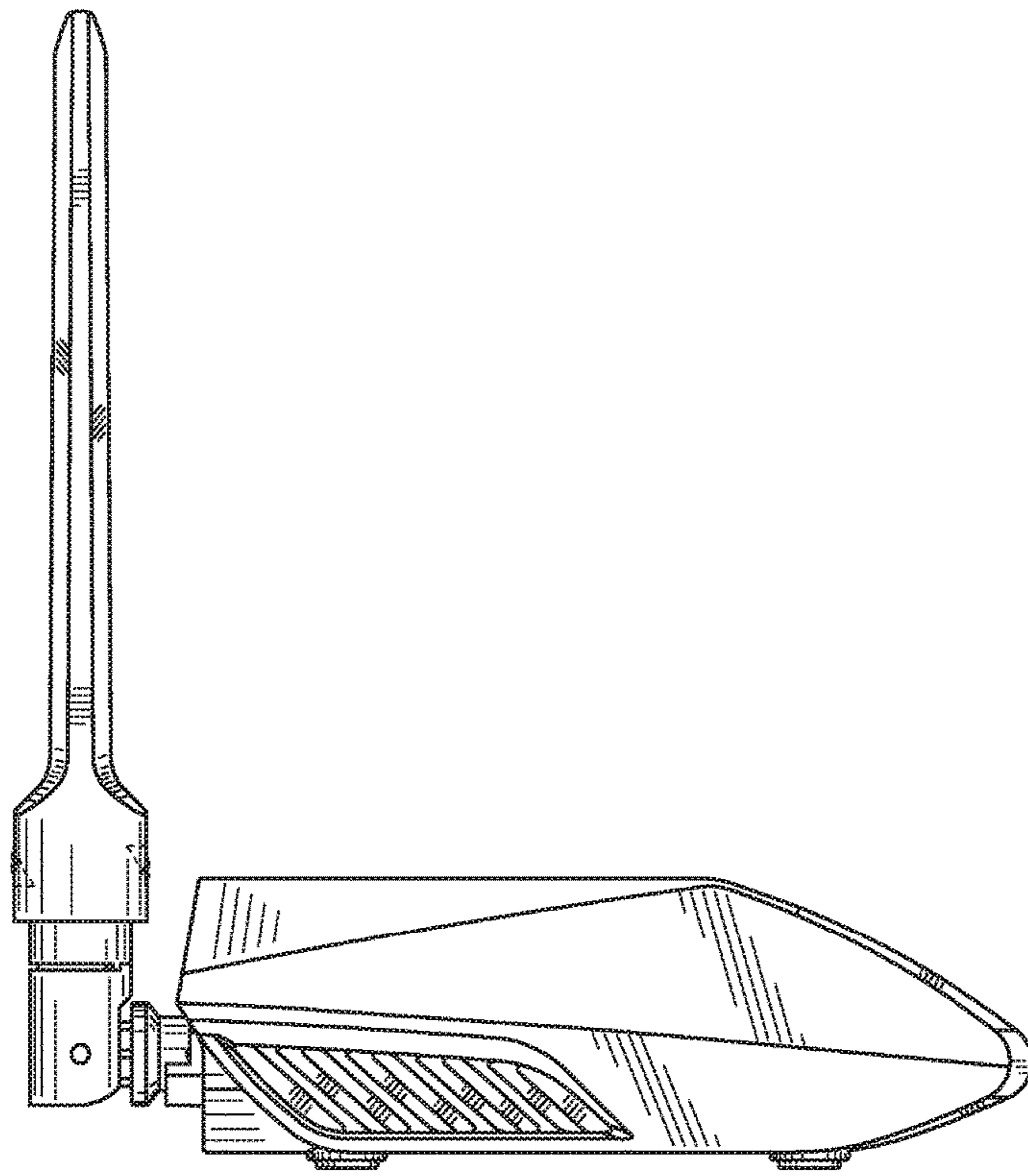


Fig. 4

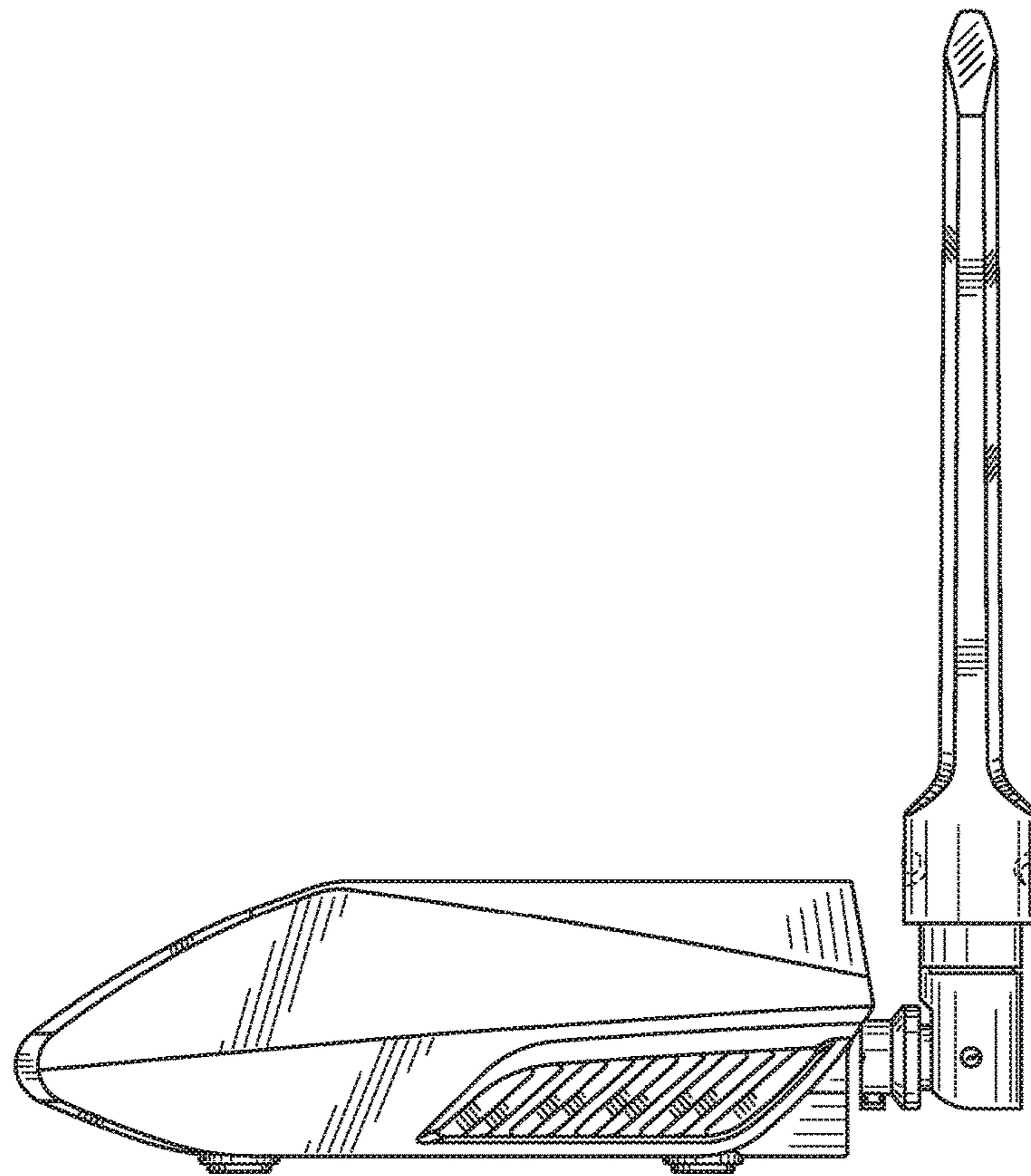


Fig. 5

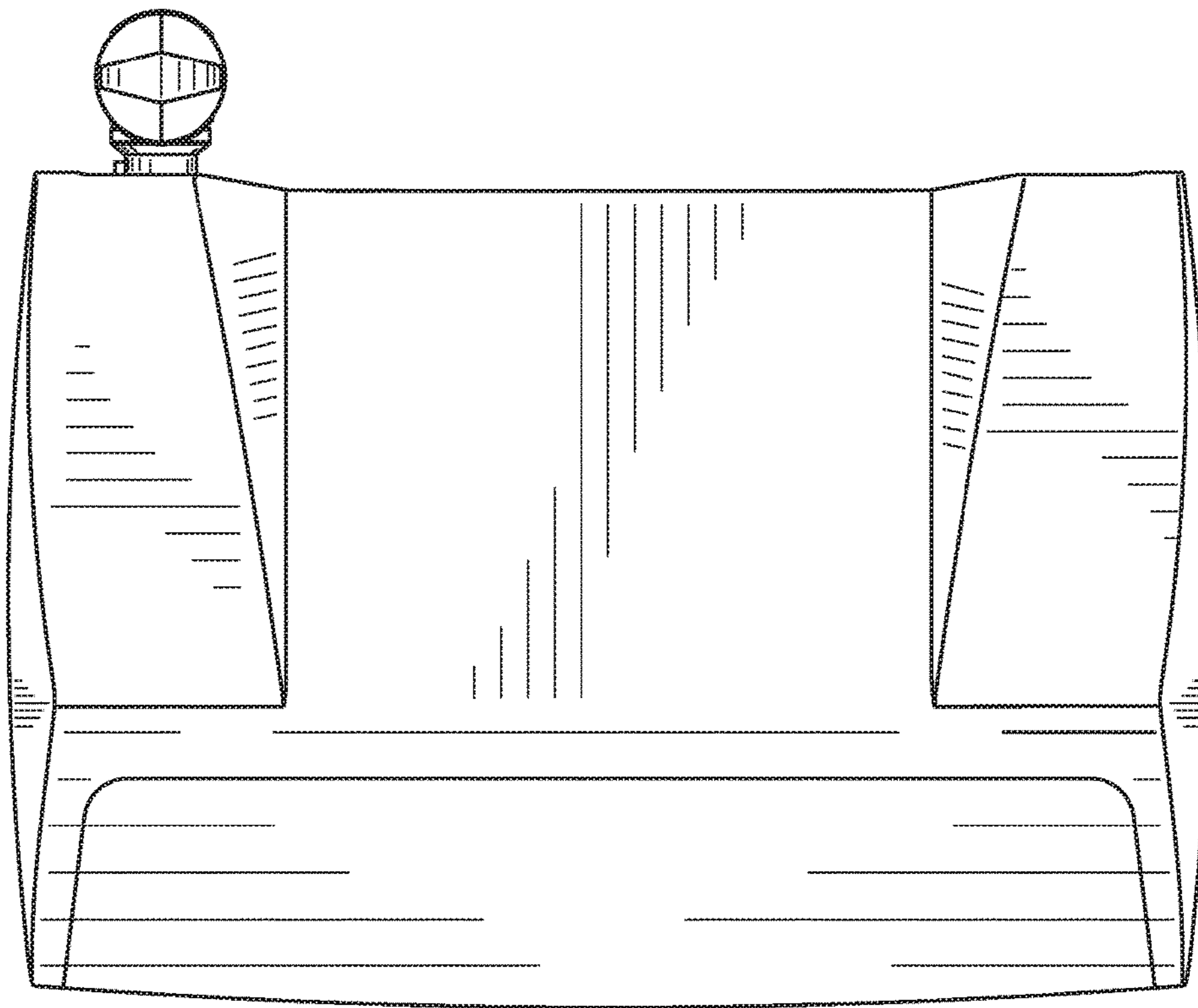


Fig. 6

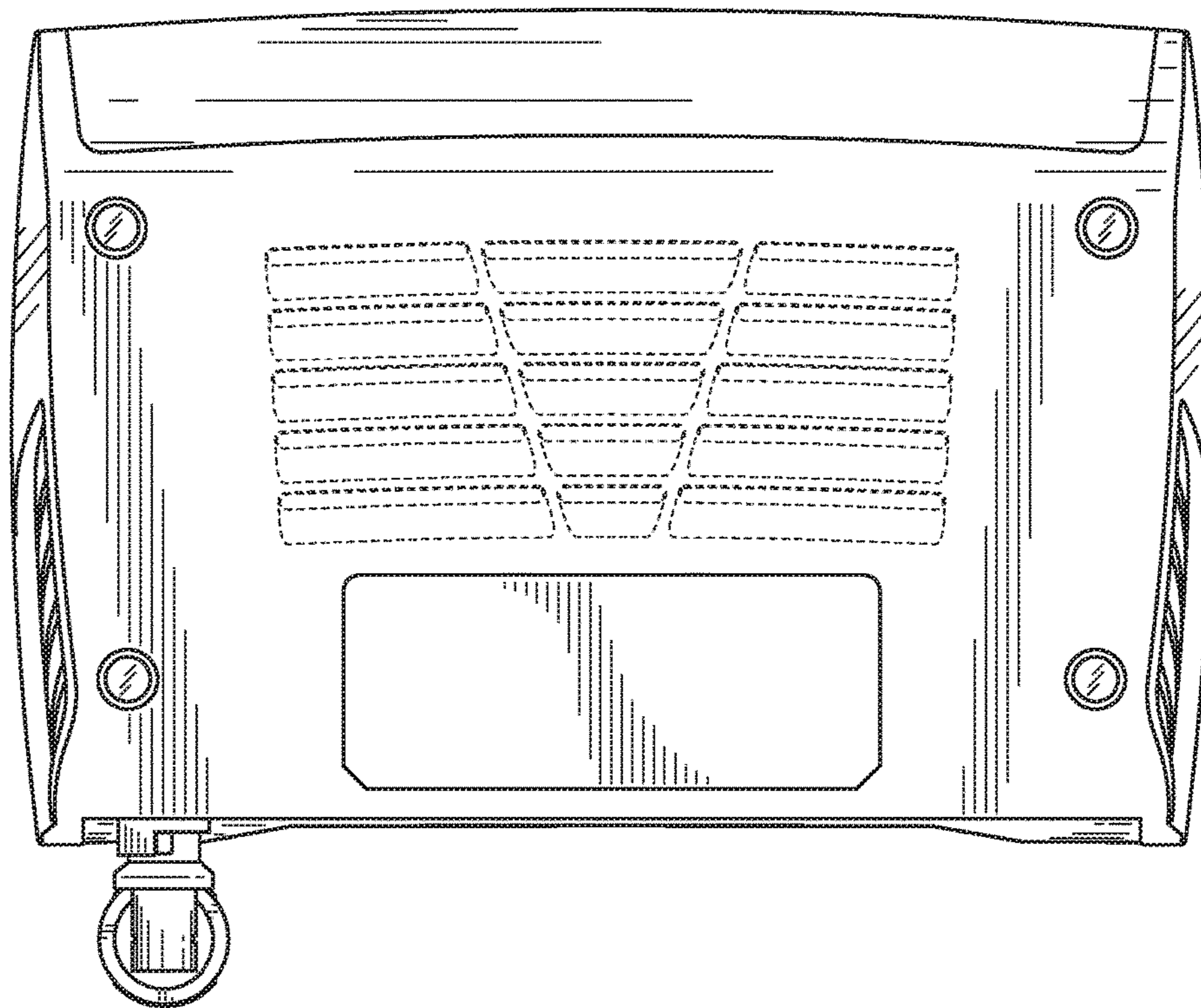


Fig. 7