



US00D843330S

(12) **United States Design Patent**  
**Oe**

(10) **Patent No.:** **US D843,330 S**

(45) **Date of Patent:** **\*\* Mar. 19, 2019**

(54) **SENSOR MONITOR**

(71) Applicant: **SMC Corporation**, Chiyoda-ku (JP)

(72) Inventor: **Natsuki Oe**, Tsukubamirai (JP)

(73) Assignee: **SMC Corporation**, Chiyoda-ku (JP)

(\*\*) Term: **15 Years**

(21) Appl. No.: **29/613,676**

(22) Filed: **Aug. 11, 2017**

(30) **Foreign Application Priority Data**

Feb. 13, 2017 (CN) ..... 2017 3 0037688

(51) **LOC (11) Cl.** ..... **13-03**

(52) **U.S. Cl.**  
USPC ..... **D13/158**; D13/171; D10/85

(58) **Field of Classification Search**  
USPC ..... D13/158, 162, 164, 171; D10/85  
CPC ..... G01L 19/003; G01L 19/08; G01L 19/14;  
H01H 35/2607; H01H 35/36  
See application file for complete search history.

(56) **References Cited**

**U.S. PATENT DOCUMENTS**

D437,295 S \* 2/2001 Gunji ..... D13/158  
D456,290 S \* 4/2002 Gunji ..... D10/85  
D497,145 S \* 10/2004 Seo ..... D13/158  
7,071,832 B2 \* 7/2006 Miyamoto ..... G01L 19/0672  
340/626  
7,186,934 B2 \* 3/2007 Nakajima ..... H01H 35/2607  
200/81 R  
D557,215 S \* 12/2007 Kurisaki ..... D13/158  
D559,195 S \* 1/2008 Tamaoki ..... D13/158

D568,255 S \* 5/2008 Kurisaki ..... D13/158  
7,663,496 B2 \* 2/2010 Kawakami ..... G01L 19/003  
200/81 R  
D772,171 S 11/2016 Ohmori et al.

**FOREIGN PATENT DOCUMENTS**

JP 1544047 S 2/2016

**OTHER PUBLICATIONS**

Decision of Refusal for Japanese Design Application 2017-016576, dated Jul. 3, 2018. English translation provided.  
Notification of Reasons of Refusal for Japanese Design Application 2017-016576, dated Mar. 6, 2018. English translation provided.

\* cited by examiner

*Primary Examiner* — Selina Sikder

(74) *Attorney, Agent, or Firm* — Oblon, McClelland, Maier & Neustadt, L.L.P.

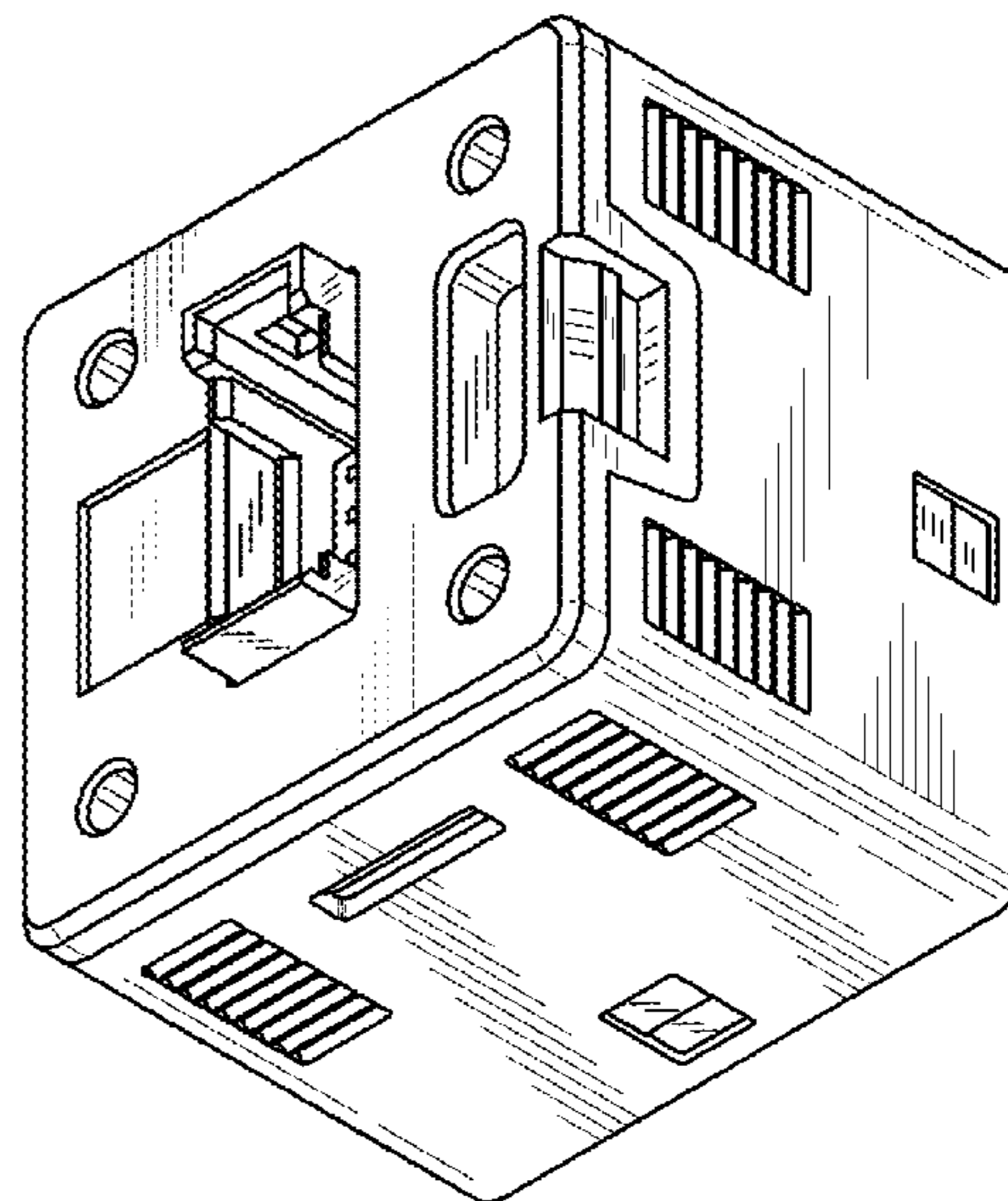
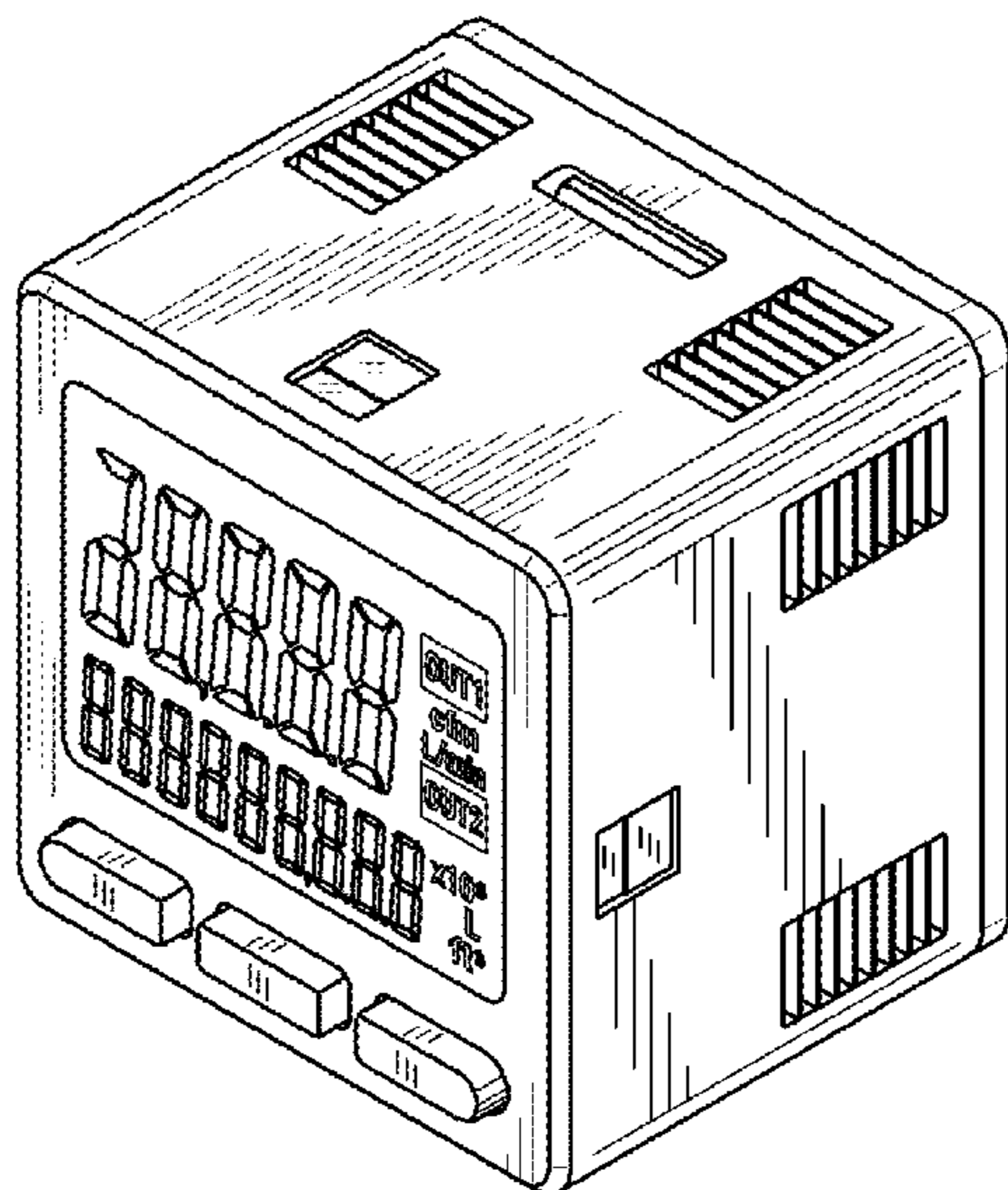
(57) **CLAIM**

The ornamental design for a sensor monitor, as shown and described.

**DESCRIPTION**

FIG. 1 is a front, top, and right side perspective view of a sensor monitor;  
FIG. 2 is a rear, bottom, and left side perspective view thereof;  
FIG. 3 is a front elevational view thereof;  
FIG. 4 is a rear elevational view thereof;  
FIG. 5 is a top plan view thereof;  
FIG. 6 is a bottom plan view thereof;  
FIG. 7 is a left side elevational view thereof; and,  
FIG. 8 is a right side elevational view thereof.

**1 Claim, 8 Drawing Sheets**



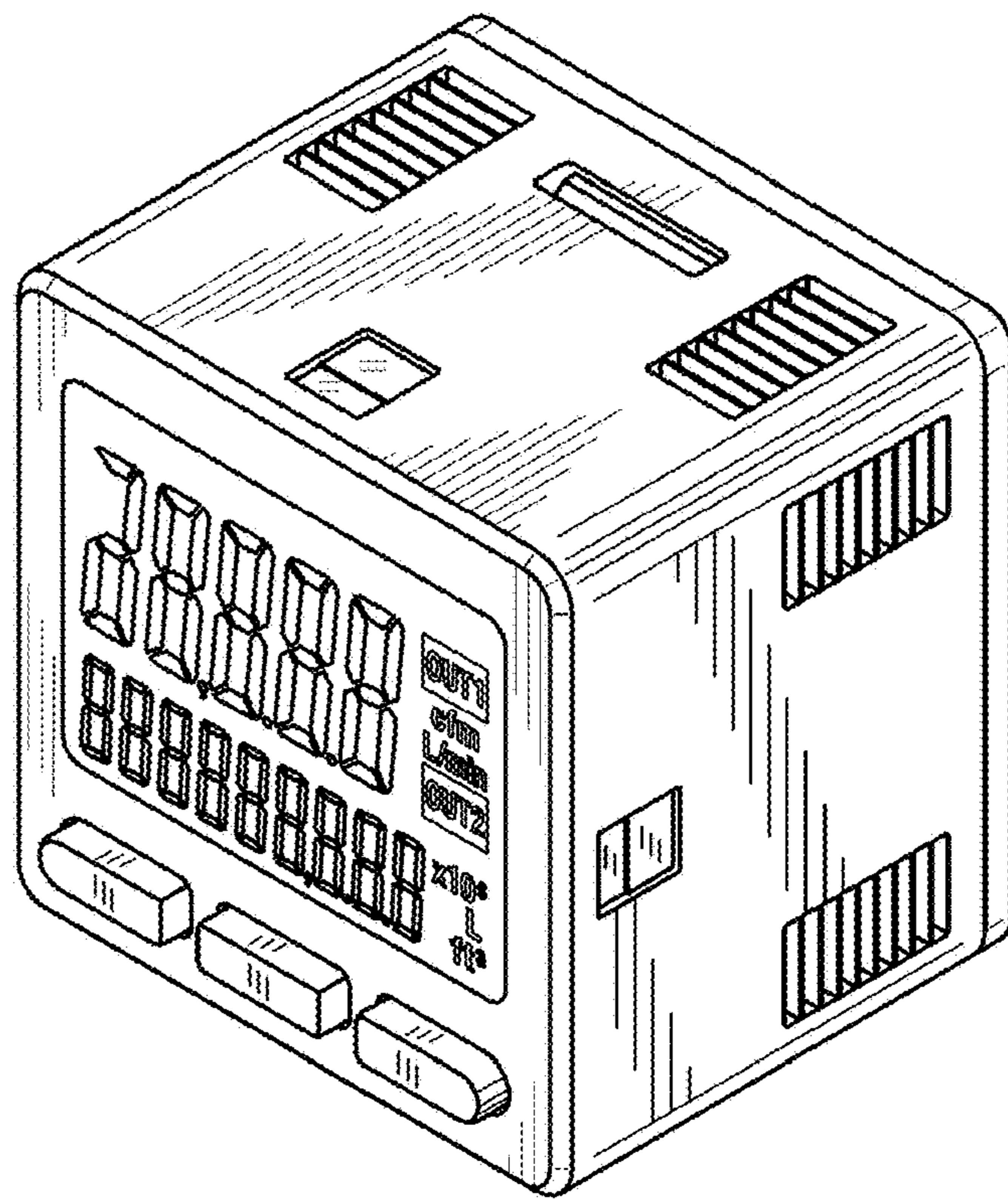


FIG. 1

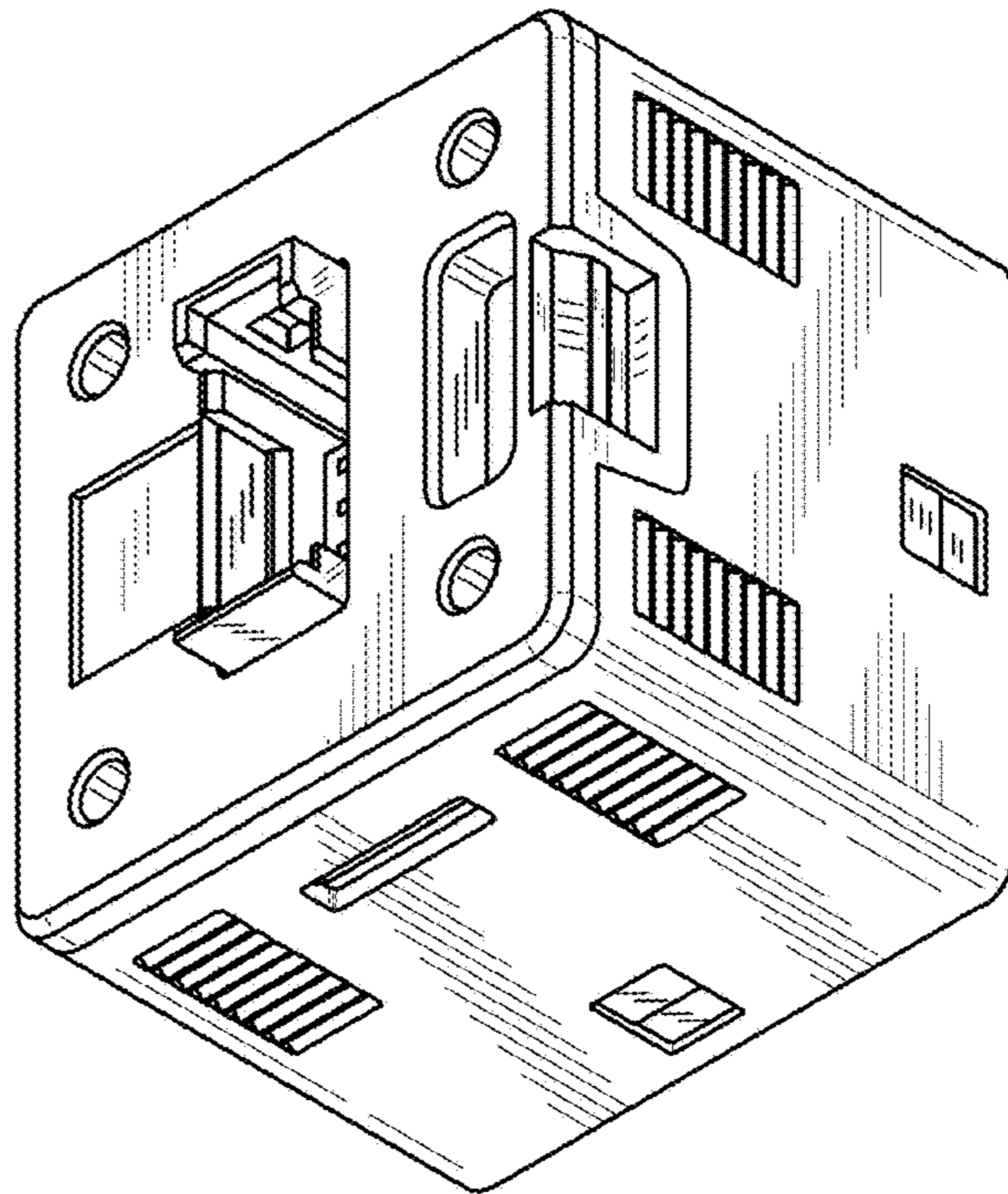


FIG. 2

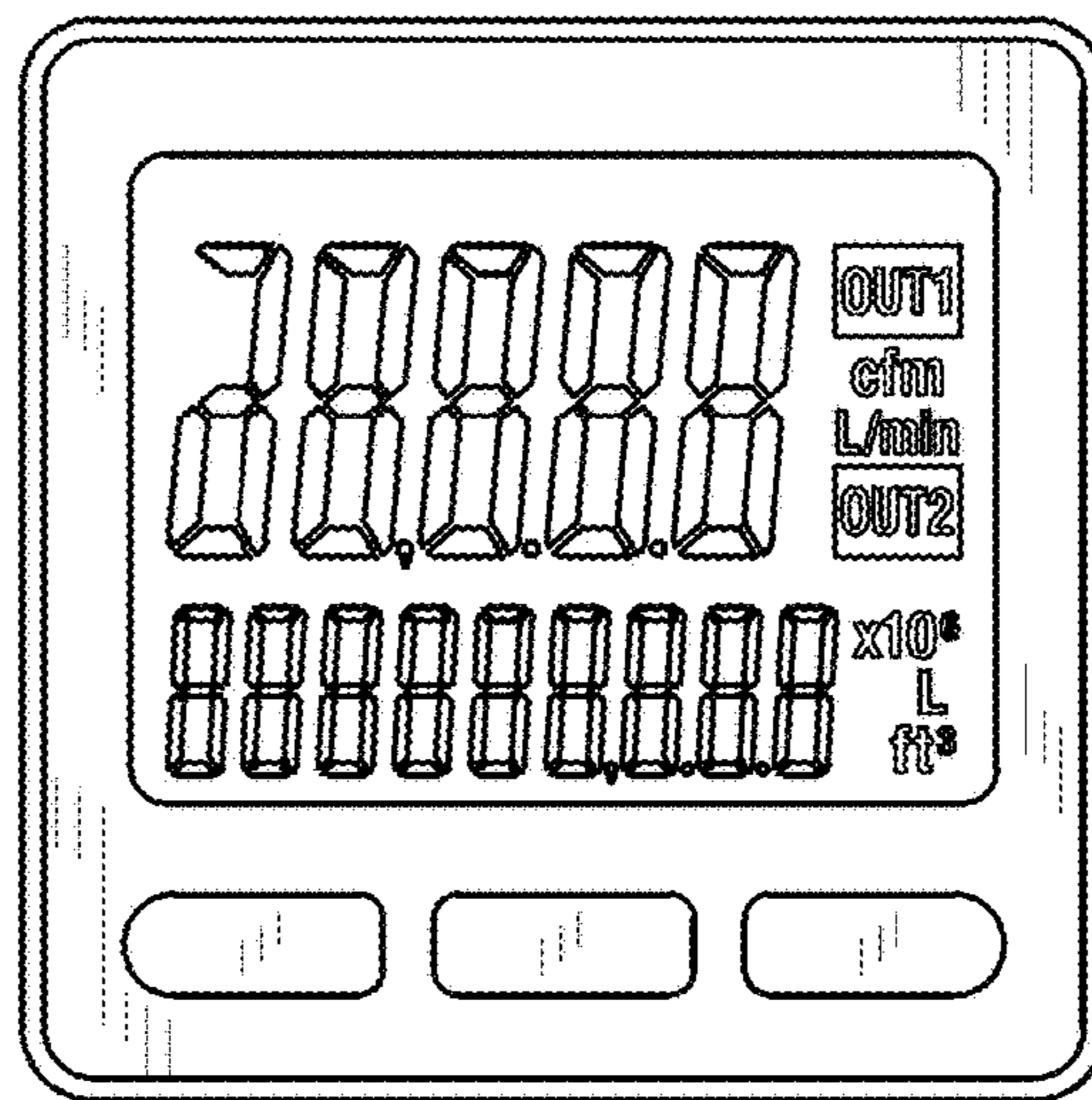


FIG. 3

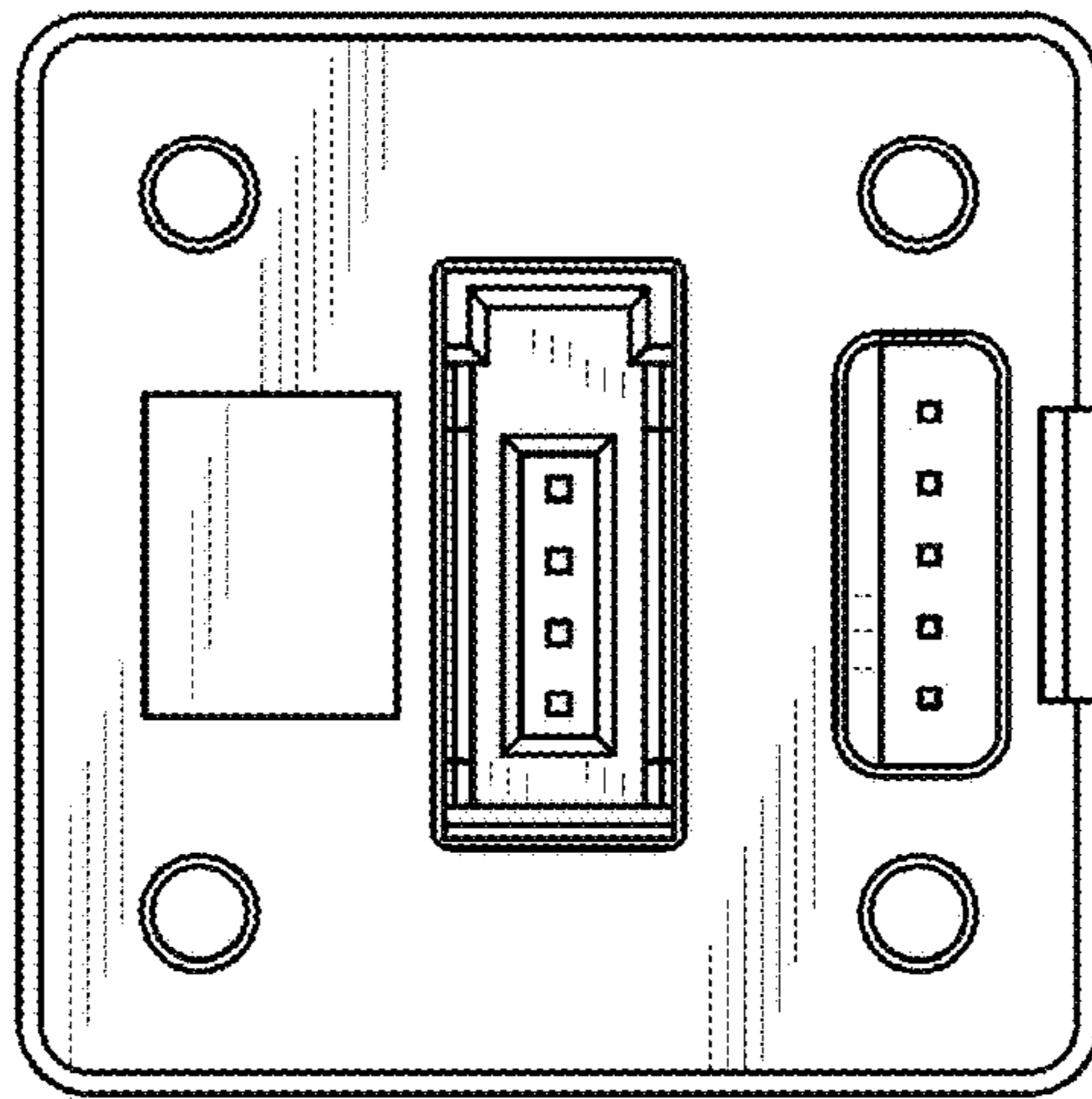


FIG. 4

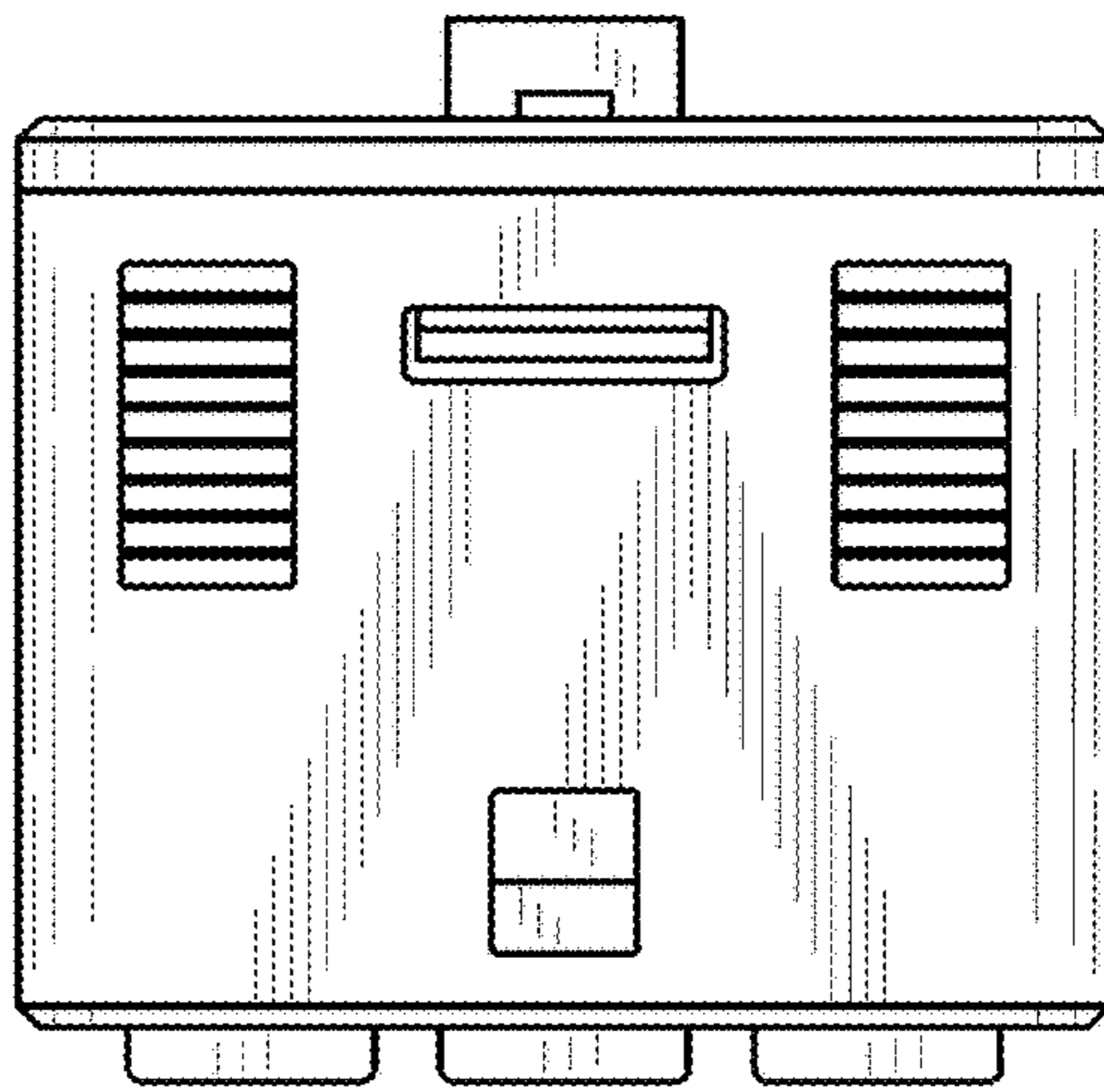


FIG. 5

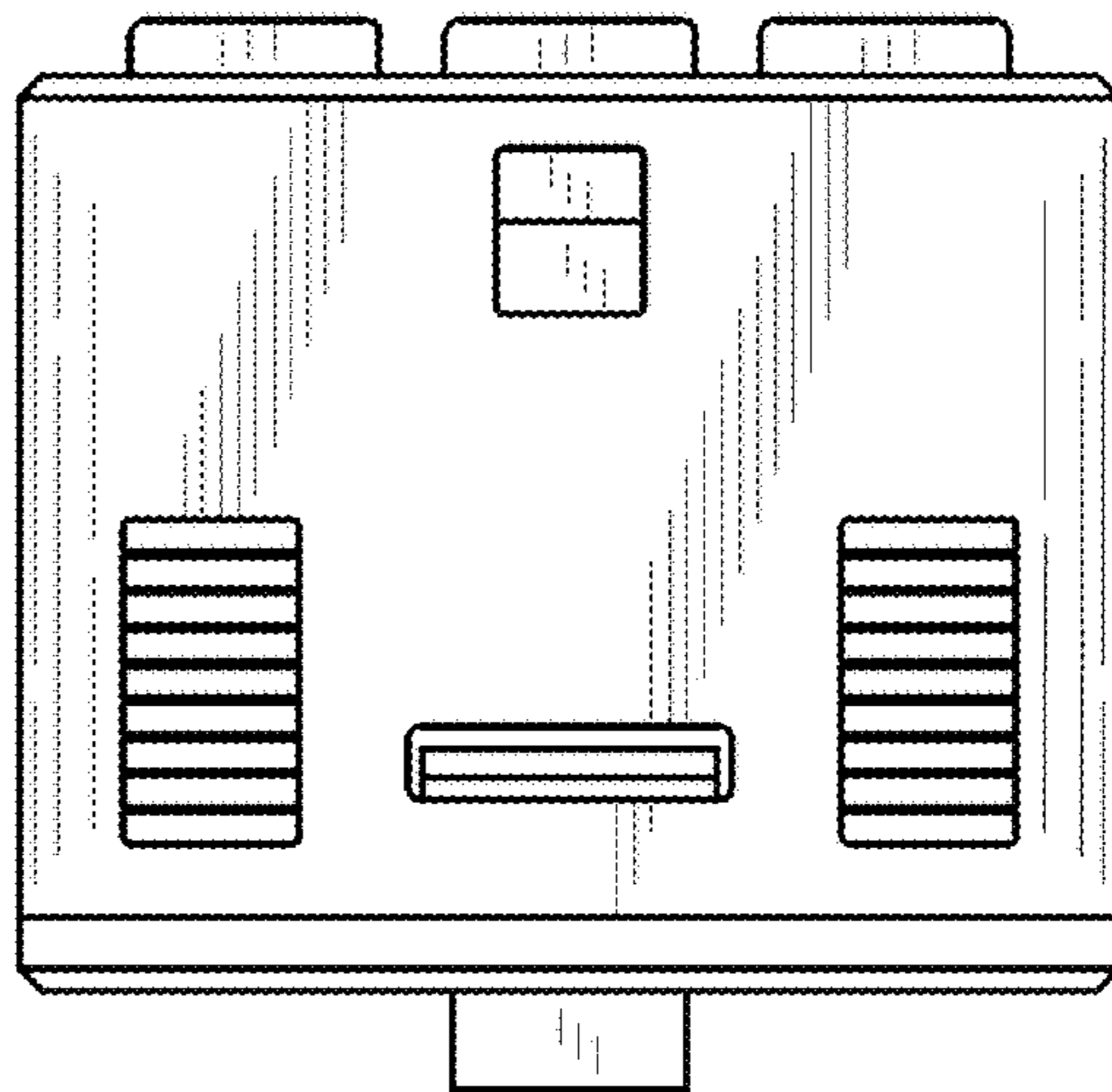


FIG. 6

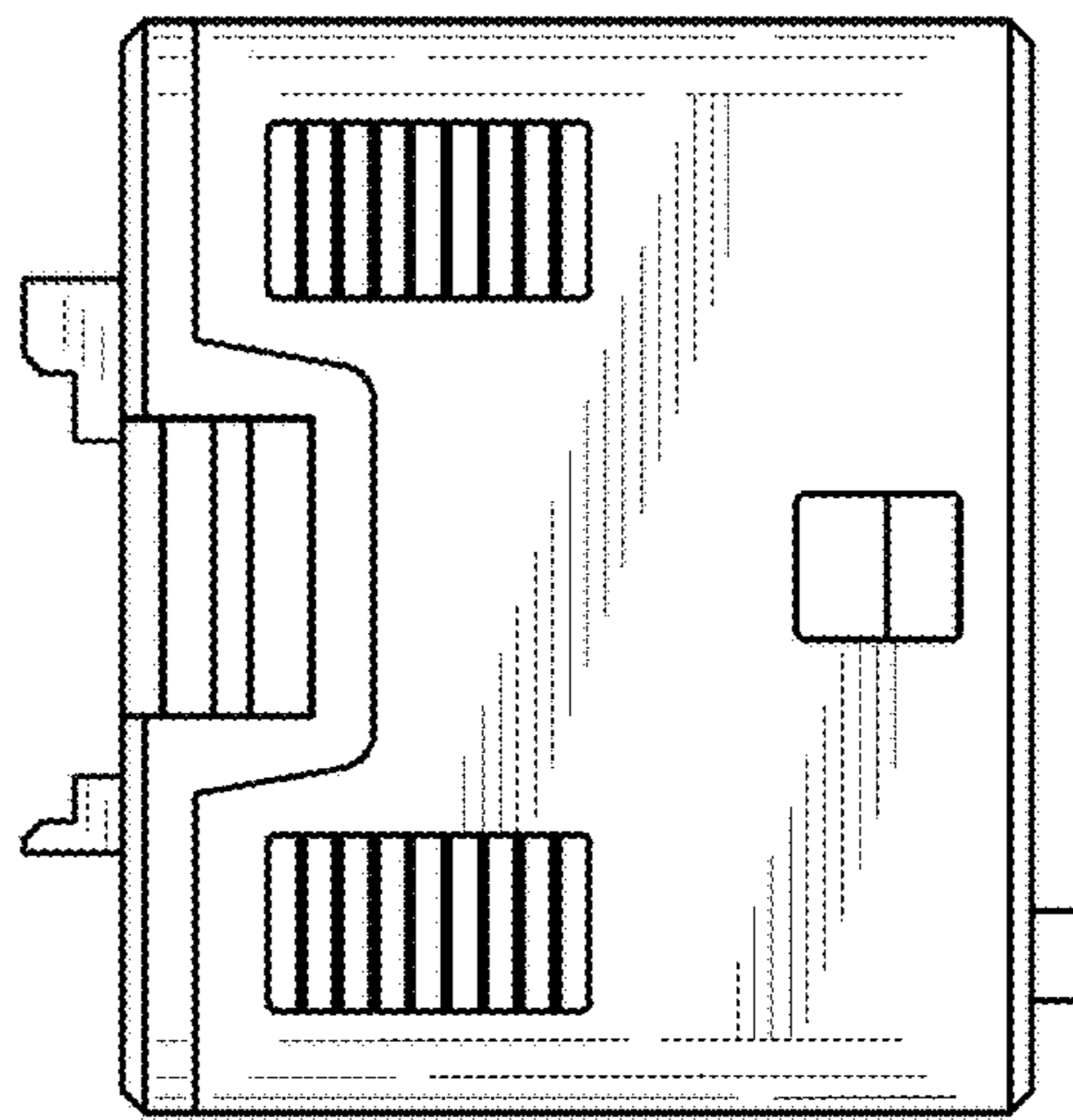


FIG. 7



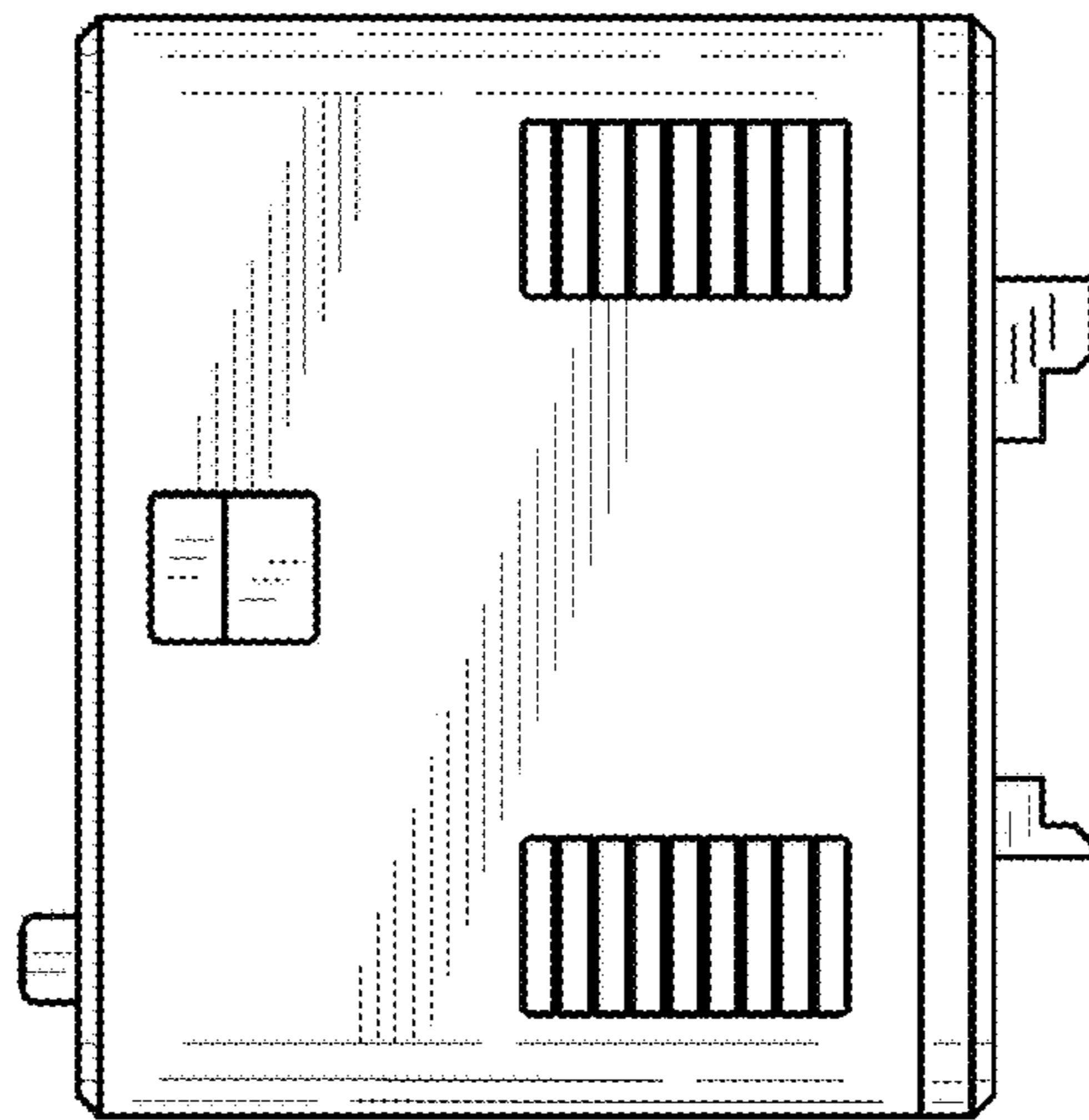


FIG. 8