



US00D843327S

(12) **United States Design Patent** (10) **Patent No.:** **US D843,327 S**
Covell (45) **Date of Patent:** **** Mar. 19, 2019**

- (54) **TAG FOR ELECTRICAL PLUG**
- (71) Applicant: **The Covell Group, Inc.**, El Cajon, CA (US)
- (72) Inventor: **Daniel Covell**, El Cajon, CA (US)
- (73) Assignee: **The Covell Group, Inc.**, El Cajon, CA (US)
- (**) Term: **15 Years**
- (21) Appl. No.: **29/622,622**
- (22) Filed: **Oct. 18, 2017**
- (51) **LOC (11) Cl.** **13-03**
- (52) **U.S. Cl.**
USPC **D13/154**
- (58) **Field of Classification Search**
USPC D13/154, 155, 156, 184, 199
CPC H01R 3/00; H01R 13/44; G06K 7/10366;
G06K 19/077; G06K 21/00; H01Q 1/38;
H01Q 13/10; H01Q 15/14
See application file for complete search history.

- 2006/0189197 A1* 8/2006 Reed H01R 13/6275
439/352
- 2012/0079750 A1* 4/2012 Lawrence G09F 3/207
40/1.5
- 2012/0164860 A1* 6/2012 Wang G02B 6/4261
439/159

* cited by examiner

Primary Examiner — Daniel D Bui

(74) *Attorney, Agent, or Firm* — Vadim Braginsky

(57) **CLAIM**

I claim the design for a ornamental tag for electrical plug, as shown and described.

DESCRIPTION

The present Application is related to co-pending Design Patent Applications filed concurrently herewith, having application Ser. Nos. 29/622,616, 29/622,618, 29/622,620, 29/622,626, and 29/622,629.

FIG. 1 is a perspective view of the tag for electrical plug according to my new design, with the opposite side a mirror image thereof;

FIG. 2 is a top plan view thereof;

FIG. 3 is a front elevational view thereof;

FIG. 4 is a bottom plan view thereof;

FIG. 5 is a rear elevational view thereof;

FIG. 6 is a side elevational view thereof; and,

FIG. 7 is a side elevational view showing the side opposite the side shown in FIG. 6.

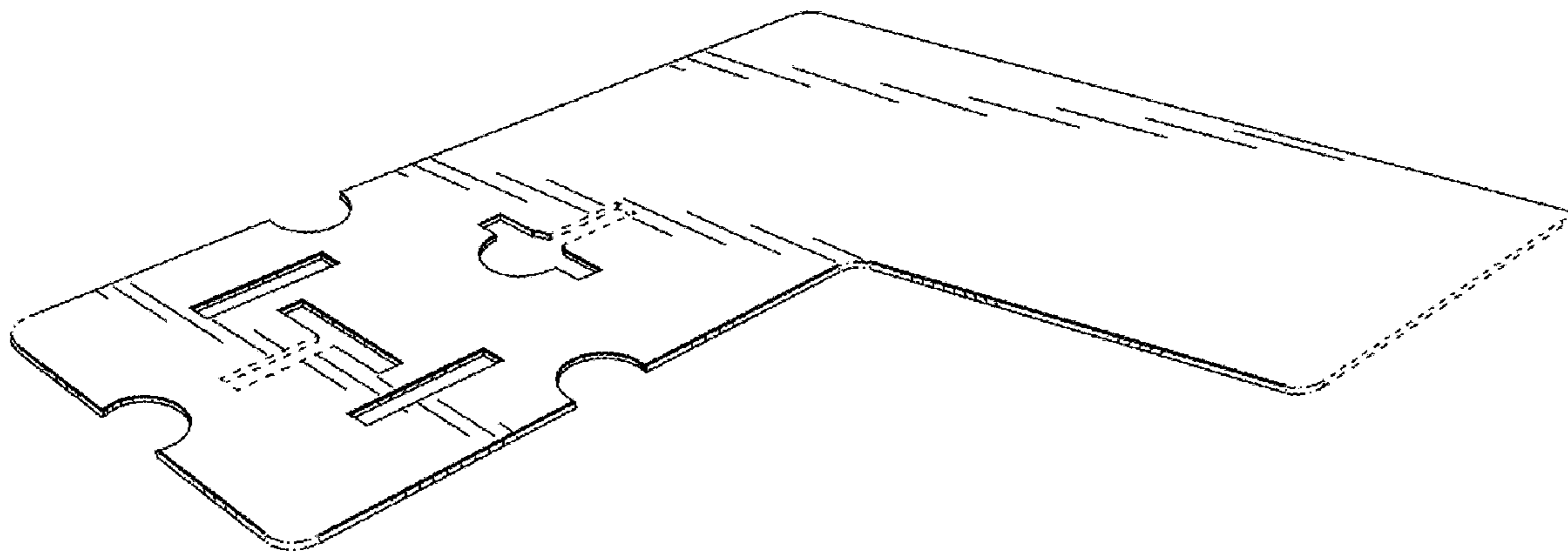
The dashed broken lines illustrated show portions of the tag for electrical plug that form no part of the claimed design.

The dash-dot broken line in the drawing views represents the boundaries of the claimed design.

1 Claim, 2 Drawing Sheets

(56) **References Cited**
U.S. PATENT DOCUMENTS

- 3,284,757 A * 11/1966 Krone H01R 24/58
439/668
- D347,860 S * 6/1994 Hand D20/42
- 7,427,204 B1 * 9/2008 Mangone H01R 13/443
439/148
- 7,547,227 B1 * 6/2009 Gibson G09F 3/10
439/491
- D729,745 S * 5/2015 Vanderwoud D13/154
- D788,713 S * 6/2017 Papakos D13/154
- D820,797 S * 6/2018 O'Connell D13/199
- D828,143 S * 9/2018 Harrier D8/349



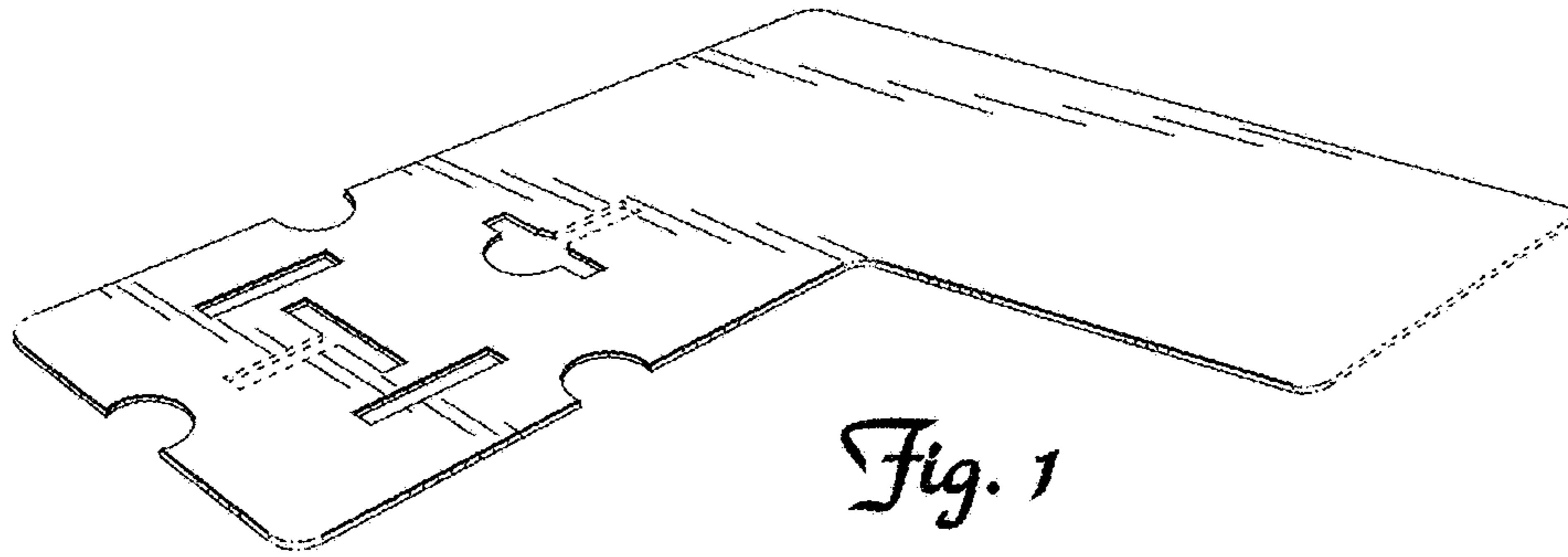


Fig. 1

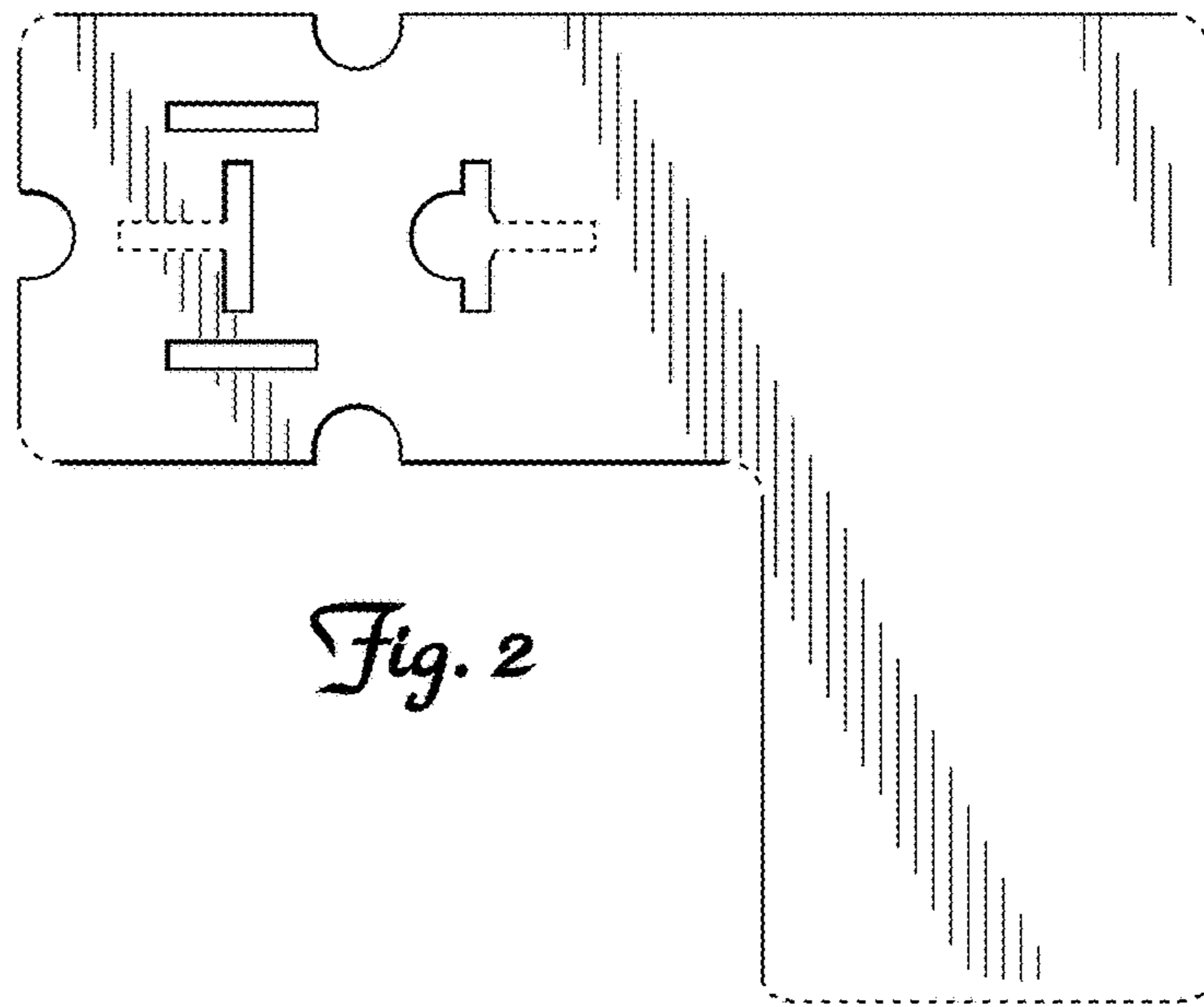


Fig. 2

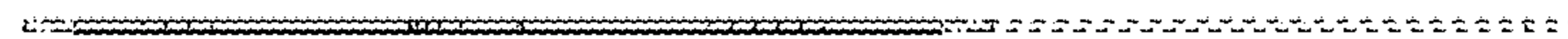


Fig. 3

