



US00D843323S

(12) **United States Design Patent**
Endo et al.

(10) **Patent No.:** **US D843,323 S**
(45) **Date of Patent:** **** Mar. 19, 2019**

(54) **ELECTRICAL CONNECTOR**

(71) Applicant: **Dai-ichi Seiko Co., Ltd.**, Kyoto-shi,
Kyoto (JP)

(72) Inventors: **Takayoshi Endo**, Shizuoka (JP); **Koji Hanaki**, Shizuoka (JP)

(73) Assignee: **Dai-Ichi Seiko Co., Ltd.**, Kyoto (JP)

(**) Term: **15 Years**

(21) Appl. No.: **29/621,681**

(22) Filed: **Oct. 10, 2017**

(30) **Foreign Application Priority Data**

Jul. 7, 2017 (JP) 2017-014716

(51) **LOC (11) Cl.** **13-03**

(52) **U.S. Cl.**
USPC **D13/147**

(58) **Field of Classification Search**

USPC D13/133, 146, 147, 154, 184, 199
CPC .. H01R 13/627; H01R 13/639; H01R 13/641;
H01R 13/518; H01R 13/514; H01R
13/506; H01R 13/436; H01R 43/26
See application file for complete search history.

(56) **References Cited**

U.S. PATENT DOCUMENTS

D706,221 S * 6/2014 Grant D13/147
D709,034 S * 7/2014 Katayanagi D13/147

8,920,186 B2 * 12/2014 Shishikura H01R 13/436
439/352
D751,990 S * 3/2016 Ikeda D13/147
2002/0037661 A1 * 3/2002 Endo H01R 13/627
439/352

FOREIGN PATENT DOCUMENTS

JP 1505901 S 8/2014
JP 1523939 S 5/2015

* cited by examiner

Primary Examiner — Daniel D Bui

(74) *Attorney, Agent, or Firm* — K&L Gates LLP; Louis C. Cullman; Georgia N. Kefallinos

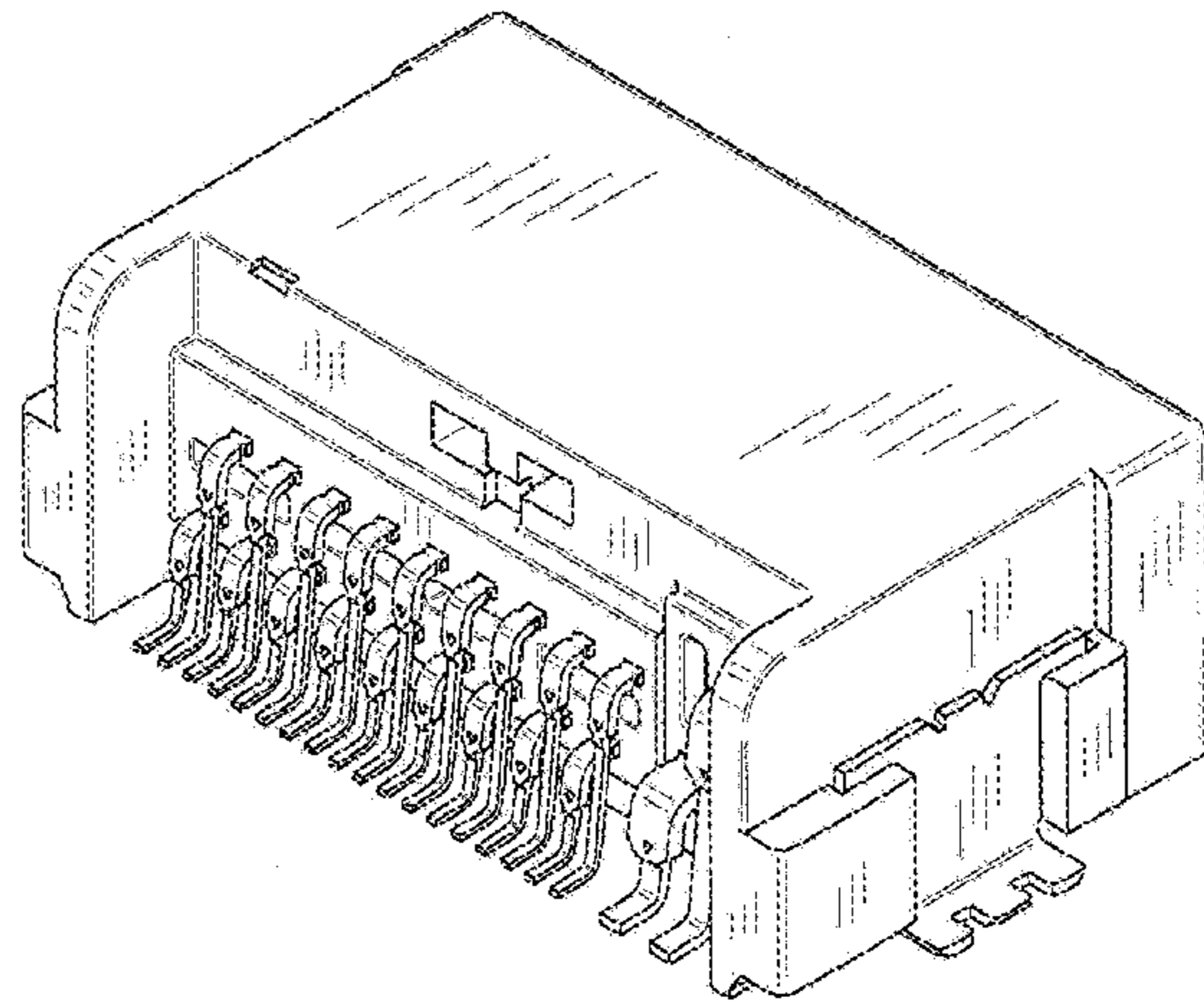
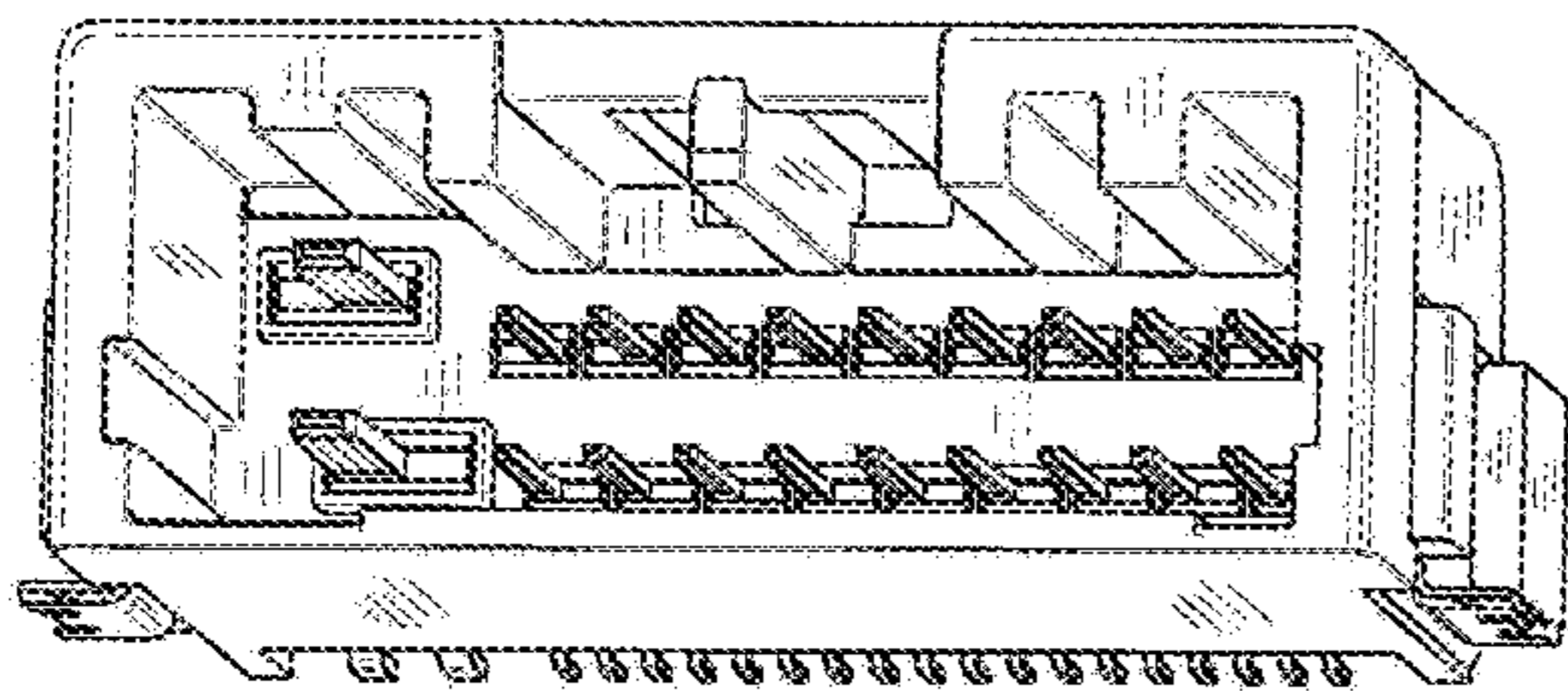
(57) **CLAIM**

The ornamental design for an electrical connector, as shown and described.

DESCRIPTION

FIG. 1 is a front view of an electrical connector of my design.
FIG. 2 is a back view of the electrical connector of FIG. 1.
FIG. 3 is a first side view of the electrical connector of FIG. 1.
FIG. 4 is a second side view of the electrical connector of FIG. 1.
FIG. 5 is a top view of the electrical connector of FIG. 1.
FIG. 6 is a bottom view of the electrical connector of FIG. 1.
FIG. 7 is a front perspective view of the electrical connector of FIG. 1; and,
FIG. 8 is a bottom perspective view of the electrical connector of FIG. 1.

1 Claim, 8 Drawing Sheets



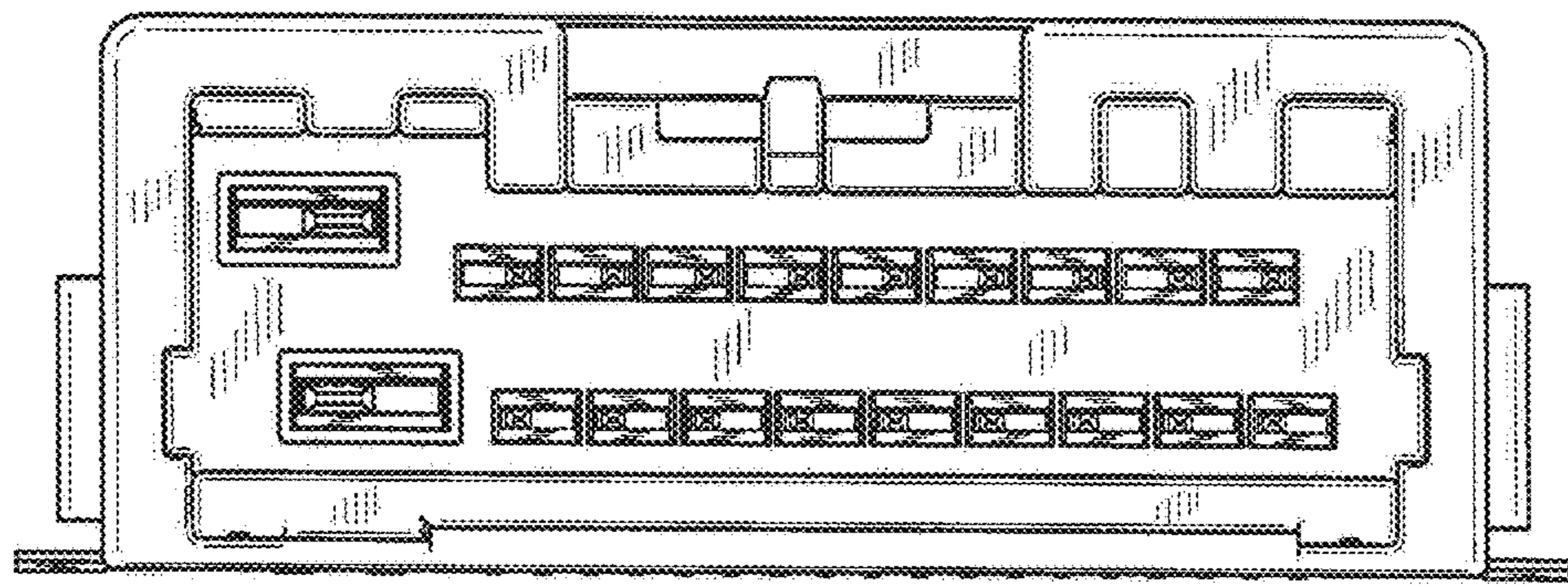


FIG. 1

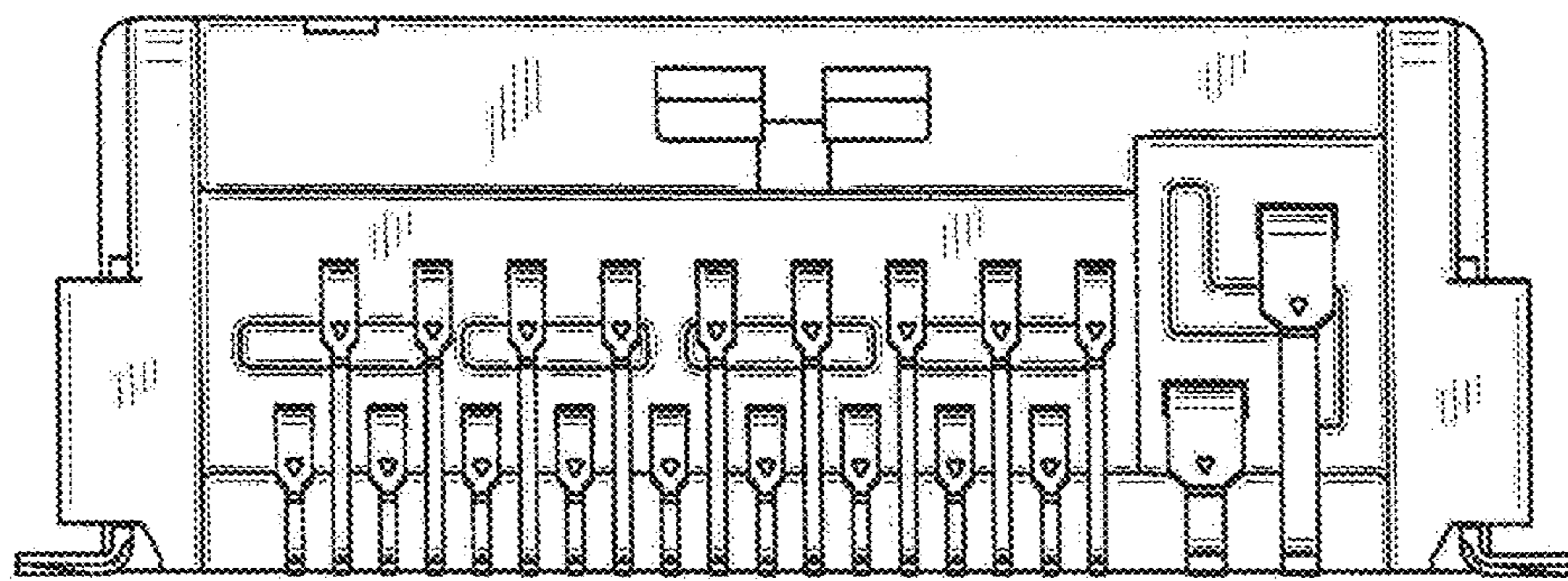


FIG. 2

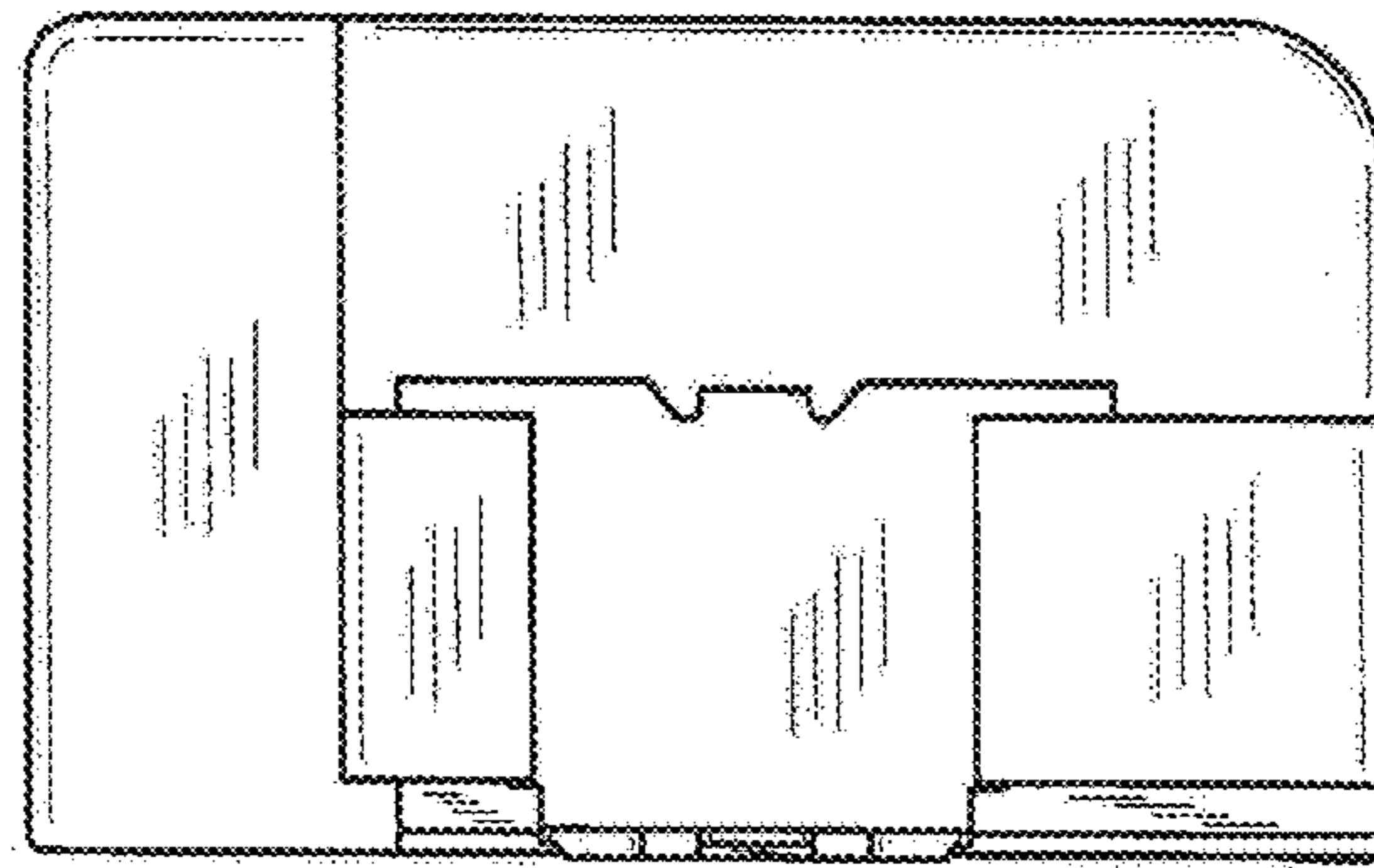


FIG. 3

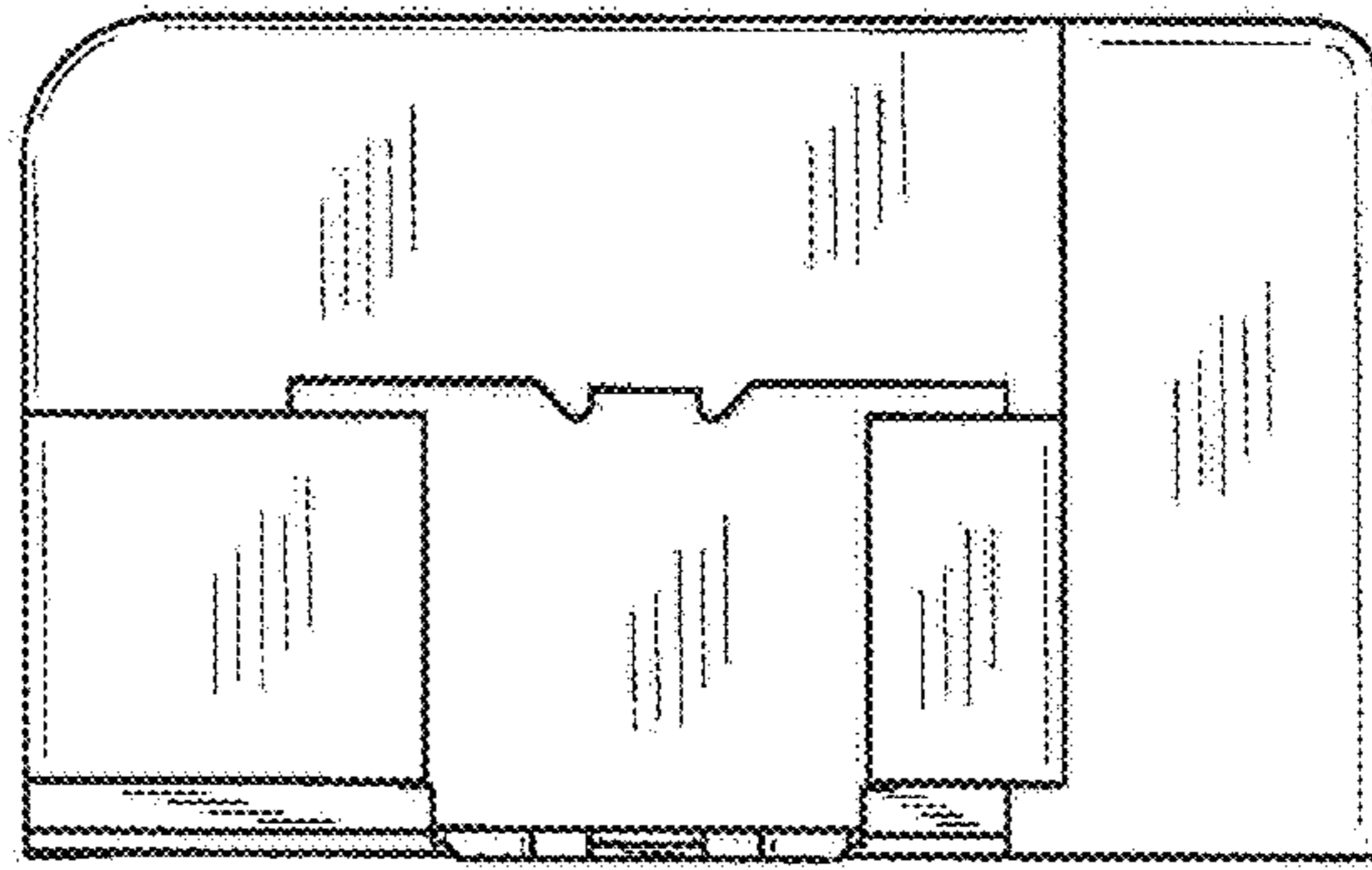


FIG. 4

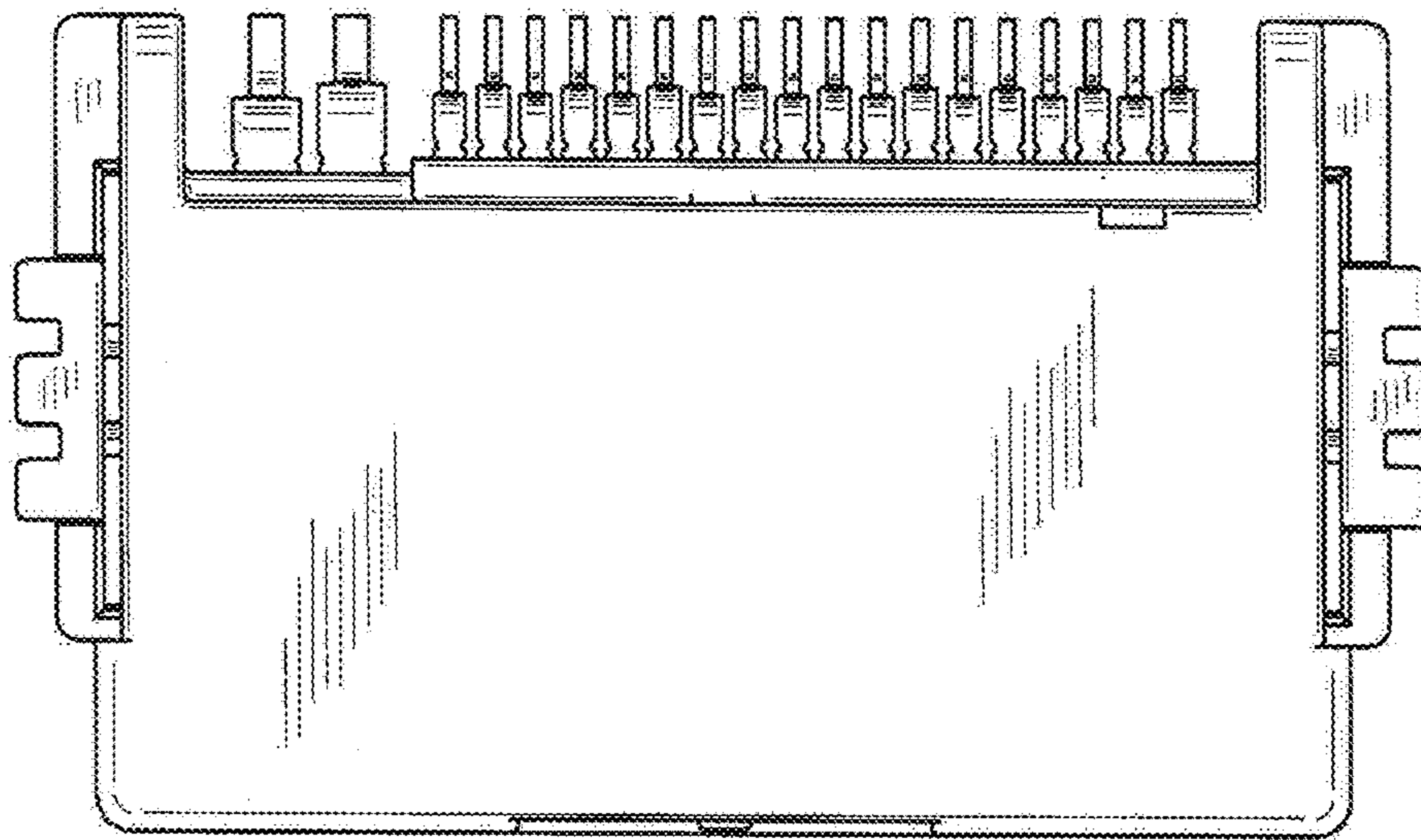


FIG. 5

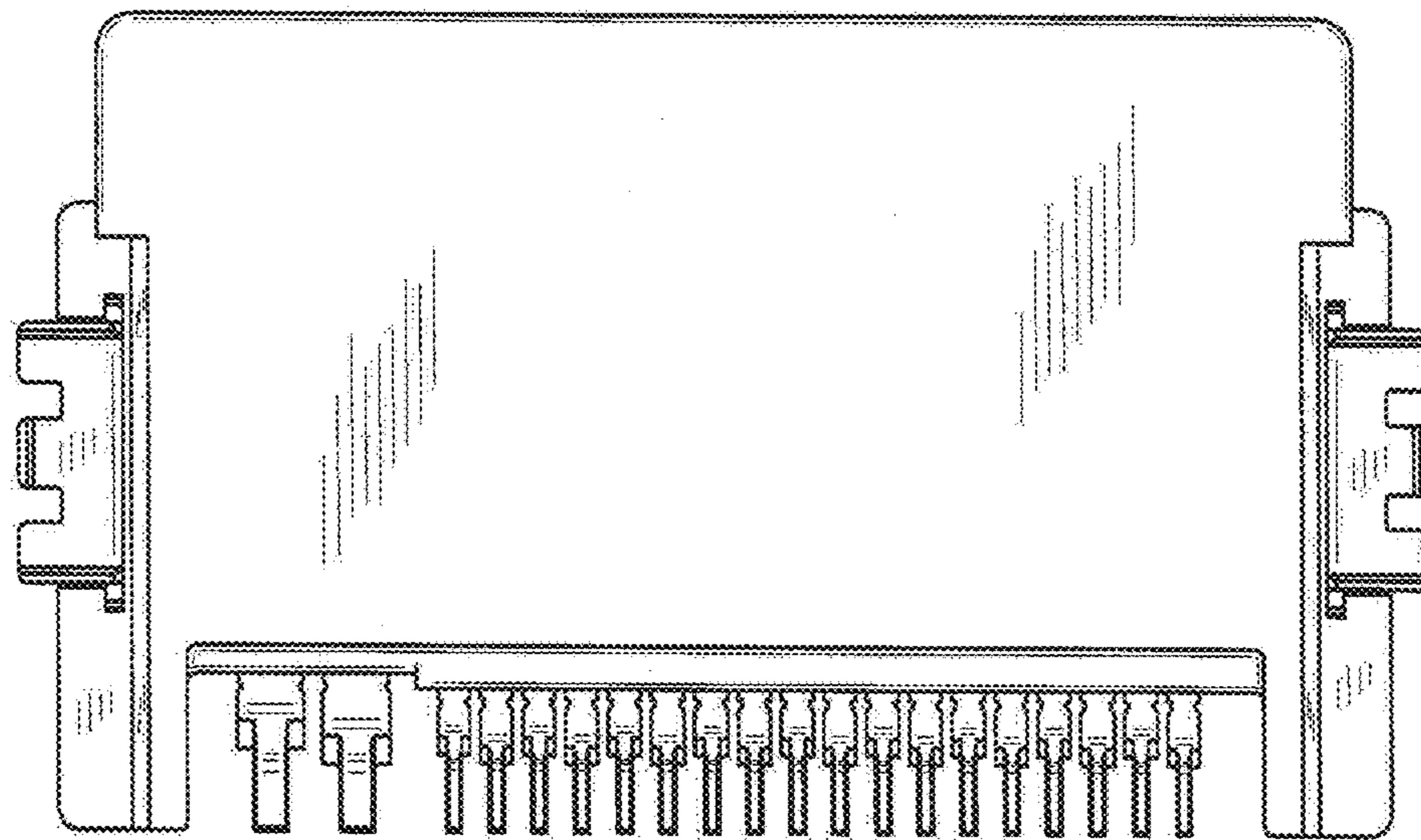


FIG. 6

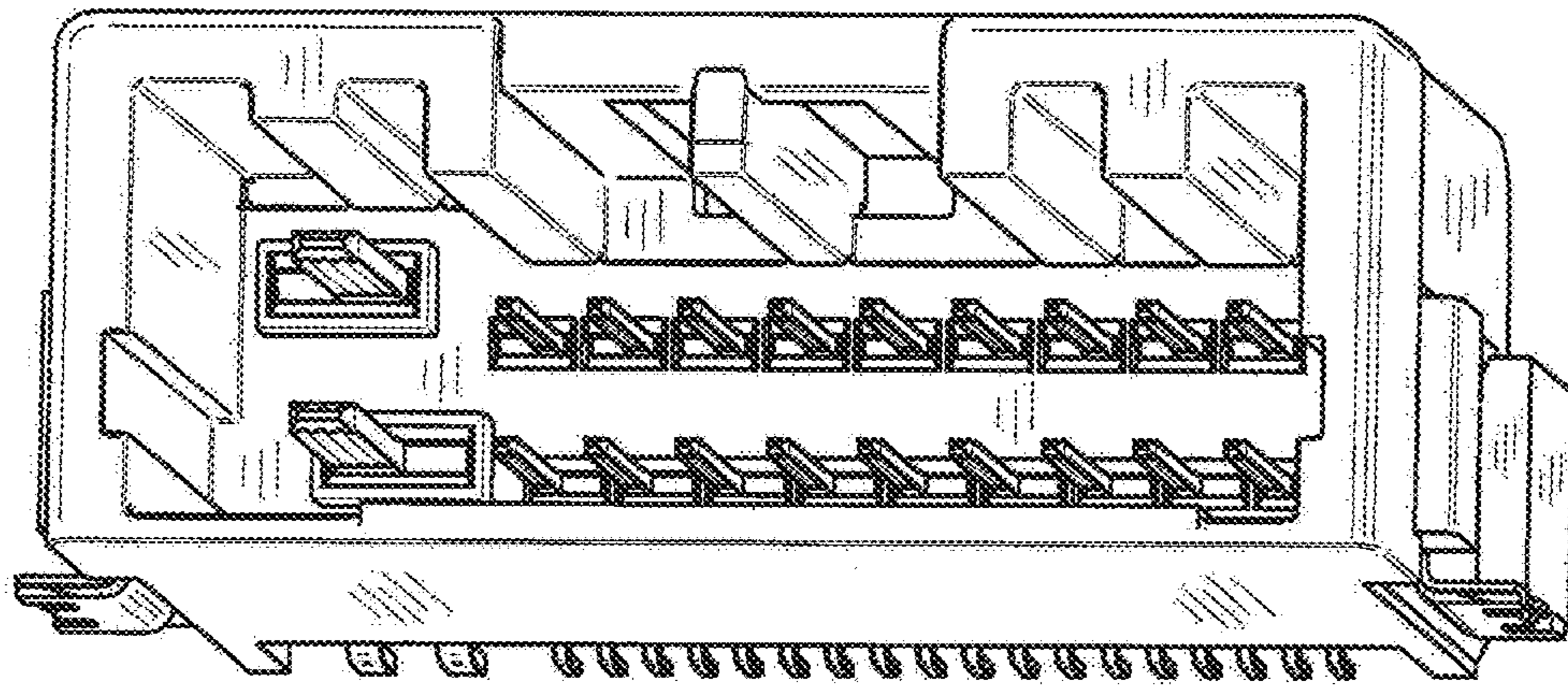


FIG. 7

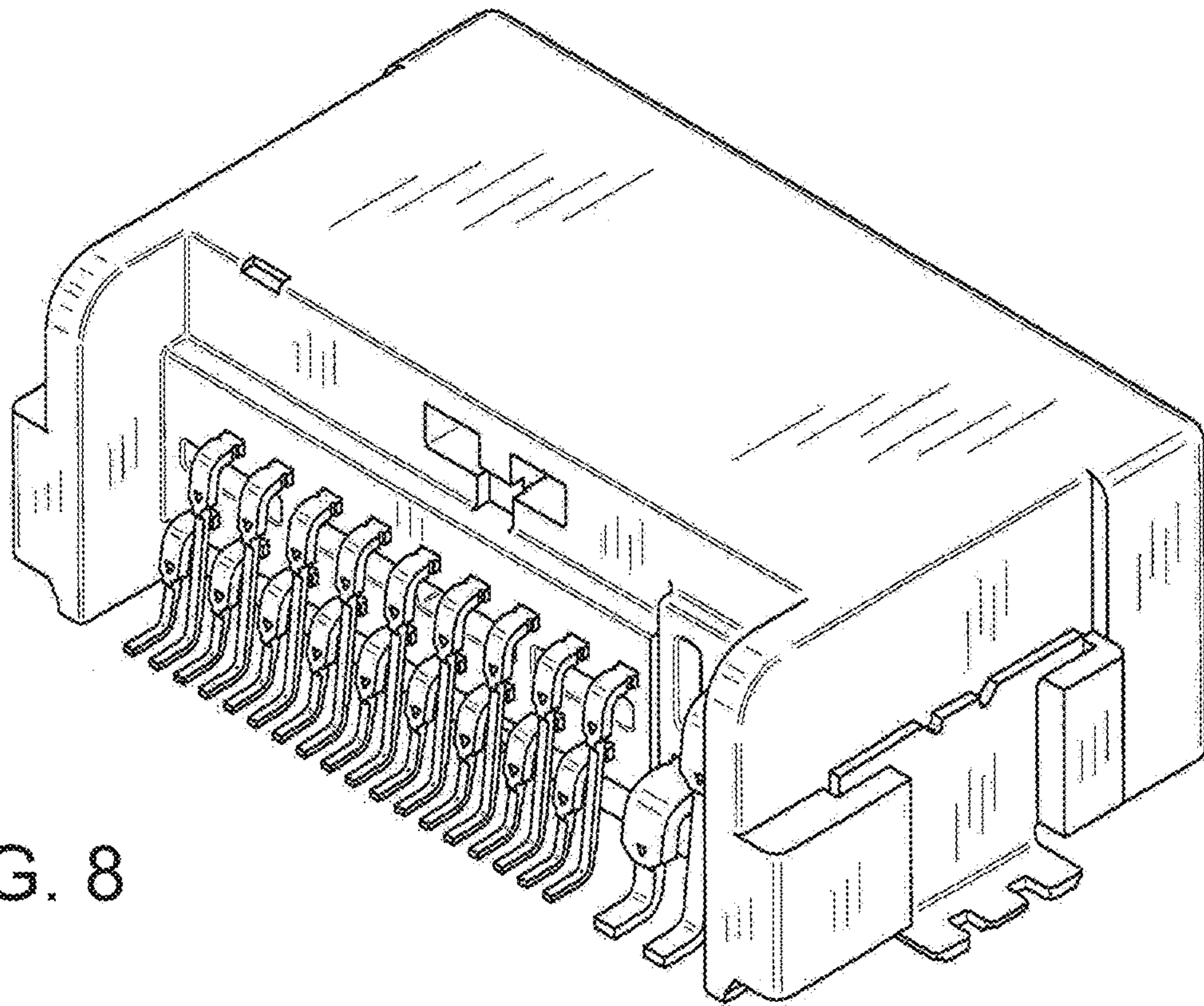


FIG. 8