



US00D843319S

(12) **United States Design Patent**
Iwasawa

(10) **Patent No.:** **US D843,319 S**
(45) **Date of Patent:** **** Mar. 19, 2019**

(54) **TERMINAL FITTING FOR ELECTRIC CONNECTOR**

(71) Applicant: **Yazaki Corporation**, Tokyo (JP)

(72) Inventor: **Hidehiko Iwasawa**, Shizuoka (JP)

(73) Assignee: **YAZAKI CORPORATION**,
Minato-ku, Tokyo (JP)

(**) Term: **15 Years**

(21) Appl. No.: **29/607,219**

(22) Filed: **Jun. 12, 2017**

(30) **Foreign Application Priority Data**

Mar. 9, 2017 (JP) 2017-004797

(51) **LOC (11) Cl.** **13-03**

(52) **U.S. Cl.**
USPC **D13/133**

(58) **Field of Classification Search**
USPC D8/350-353; D13/120, 146, 133, 147
CPC . H01R 4/10; H01R 4/18; H01R 13/58; H01R
43/20; H01R 4/183; H01R 4/185; H01R
4/70; H01R 43/048
See application file for complete search history.

(56) **References Cited**

U.S. PATENT DOCUMENTS

D251,491	S *	4/1979	Snyder, Jr.	D13/146
4,990,103	A *	2/1991	Sazaki	H01R 13/506
					439/445
5,266,056	A *	11/1993	Baderschneider	...	H01R 13/432
					439/745
D424,020	S *	5/2000	Fischer	439/349
D490,059	S *	5/2004	Conway	D13/146
D534,497	S *	1/2007	Mazzullo	D13/133
7,993,170	B2 *	8/2011	Nakata	H01R 4/185
					439/587

D680,075	S *	4/2013	Yang	D13/133
9,136,628	B2 *	9/2015	Aizawa	H01R 4/185
9,601,840	B2 *	3/2017	Tonoike	H01R 4/187
9,711,872	B2 *	7/2017	Sato	H01R 4/185
9,711,873	B1 *	7/2017	Tanaka	H01R 4/188
9,847,596	B2 *	12/2017	Sato	H01R 13/5216
9,899,749	B2 *	2/2018	Kondou	H01R 4/188
9,954,289	B2 *	4/2018	Miyakawa	H01R 4/70
9,954,300	B2 *	4/2018	Nagasaka	H01R 13/428
9,954,308	B2 *	4/2018	Sato	H01R 13/5845
D817,882	S *	5/2018	Chen	D13/133
9,966,672	B2 *	5/2018	Aoki	H01R 4/185
9,979,099	B2 *	5/2018	Tonoike	H01R 4/183

(Continued)

Primary Examiner — Jennifer Rivard

Assistant Examiner — Alison M Ofstun

(74) *Attorney, Agent, or Firm* — Sughrue Mion, PLLC

(57) **CLAIM**

The ornamental design for a terminal fitting for electric connector, as shown and described.

DESCRIPTION

FIG. 1 is a front, top and left side perspective view of a terminal fitting for electric connector showing my new design;

FIG. 2 is a rear, bottom and right side perspective view thereof;

FIG. 3 is a front elevational view thereof;

FIG. 4 is a rear elevational view thereof;

FIG. 5 is a right side elevational view thereof;

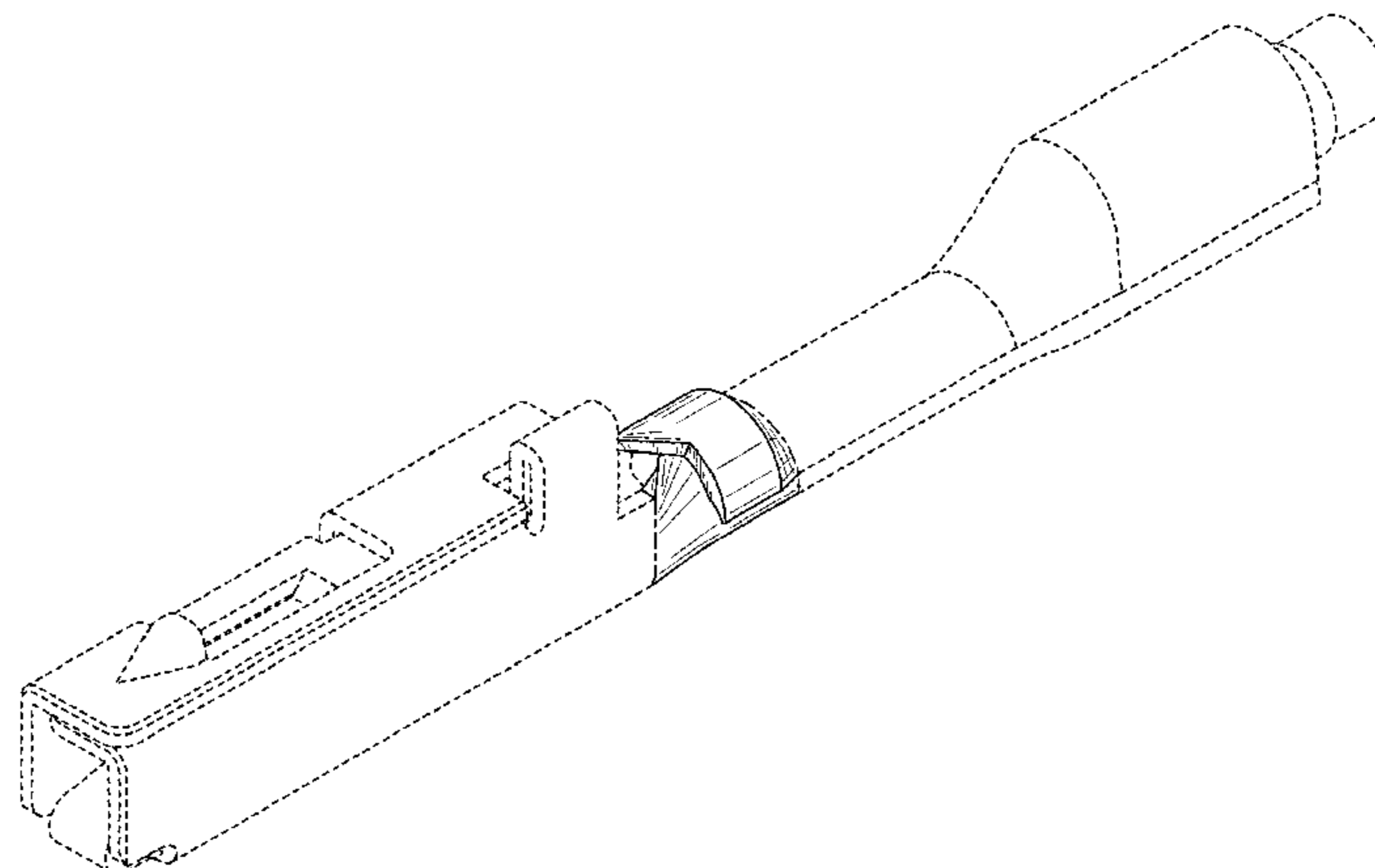
FIG. 6 is a left side elevational view thereof;

FIG. 7 is a top plan view thereof; and,

FIG. 8 is a bottom plan view thereof.

The evenly spaced broken lines depict portions of the terminal fitting for electric connector in which the design is embodied that form no part of the claimed design. The dot-dash chain broken lines define the boundary of the claimed design and form no part of the claimed design.

1 Claim, 7 Drawing Sheets



(56)

References Cited

U.S. PATENT DOCUMENTS

2018/0076532 A1* 3/2018 Iwasawa H01R 4/185
2018/0109010 A1* 4/2018 Takahashi H01R 4/183

* cited by examiner

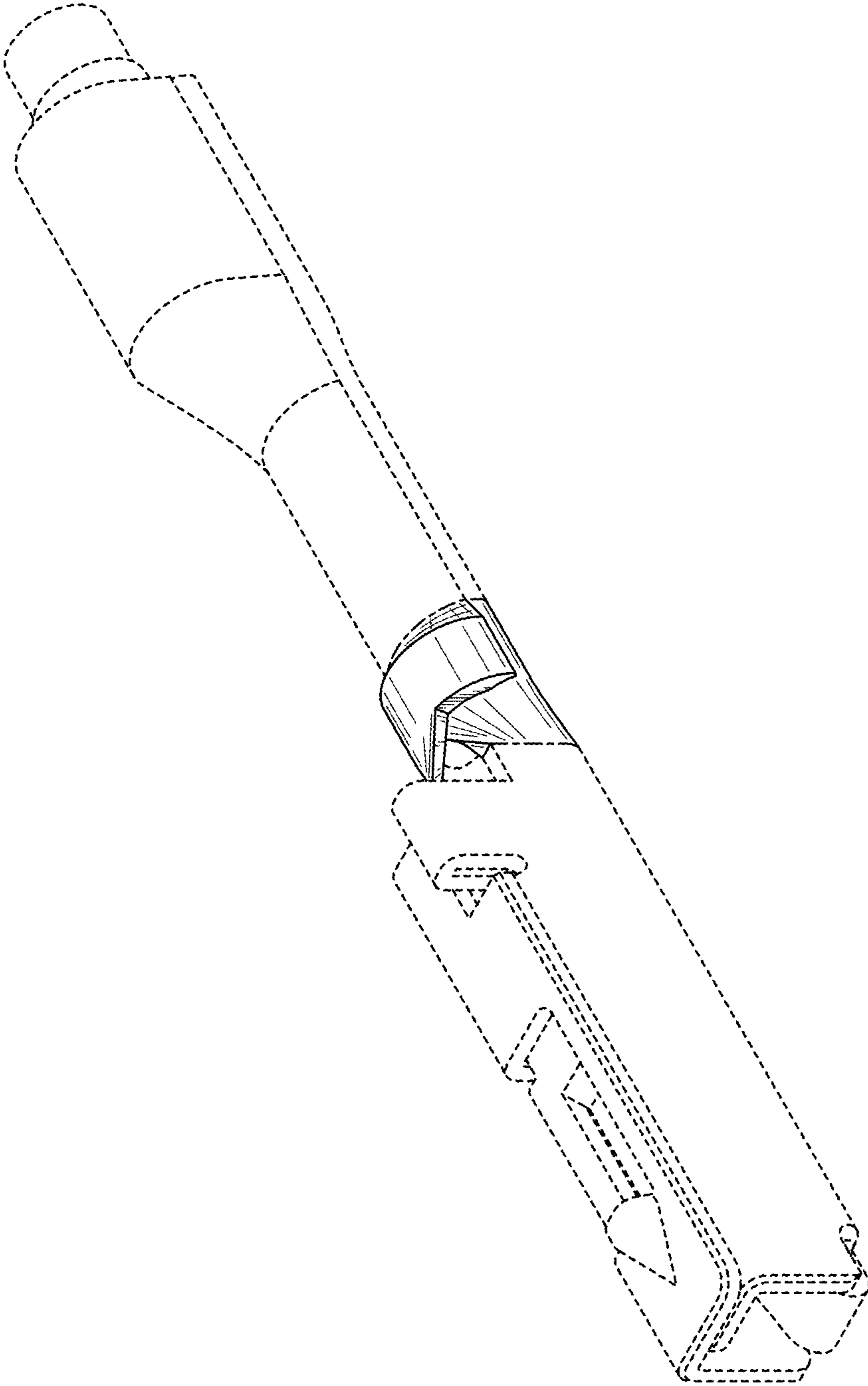


FIG. 1

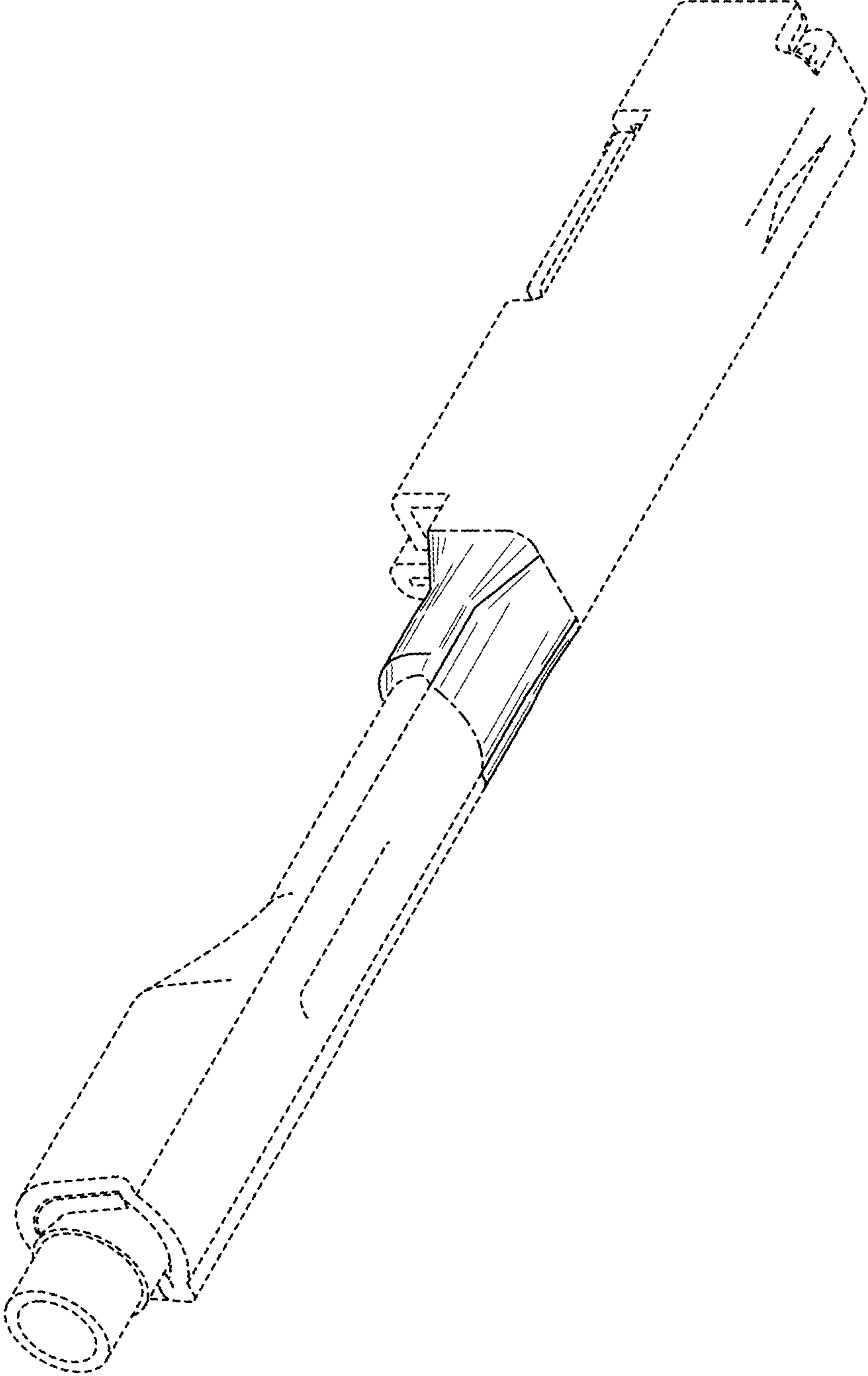


FIG. 2

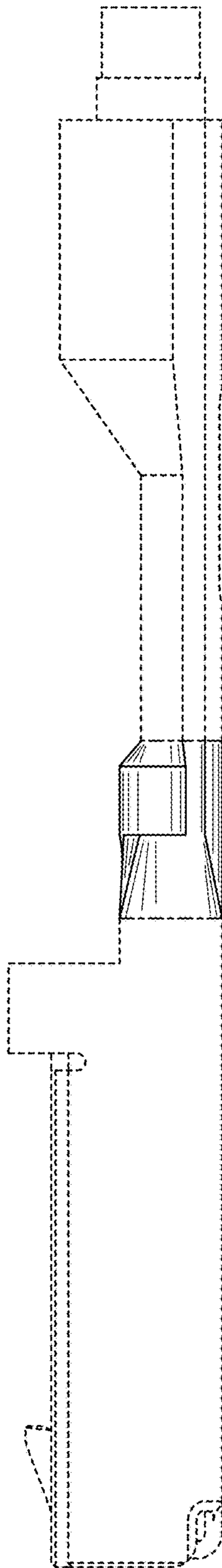


FIG. 3

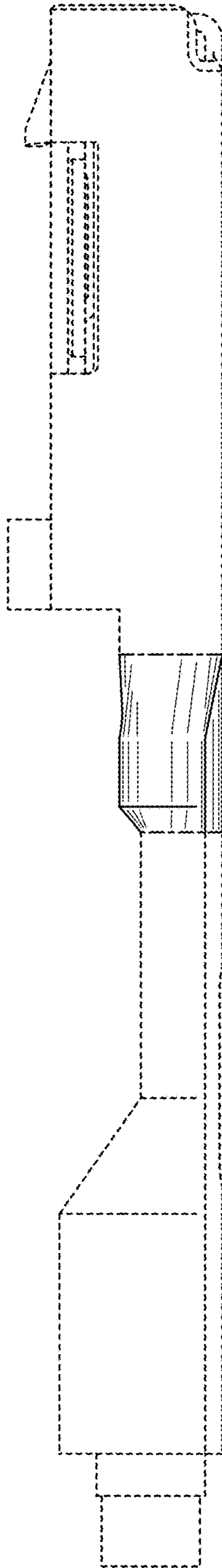


FIG. 4

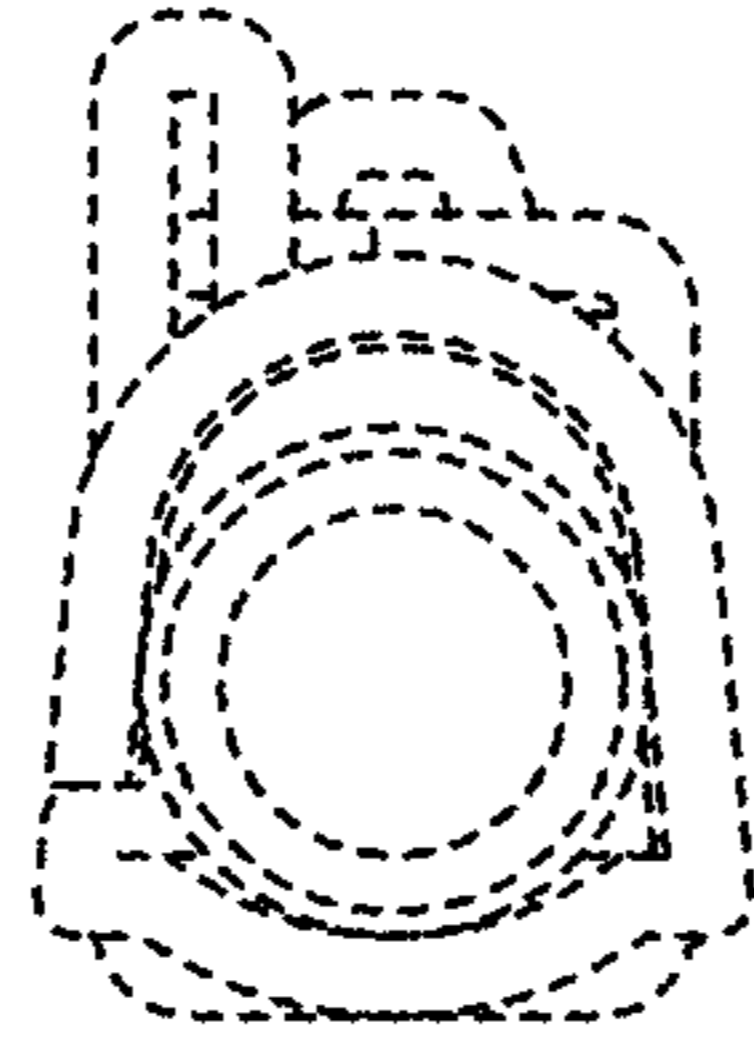


FIG. 5

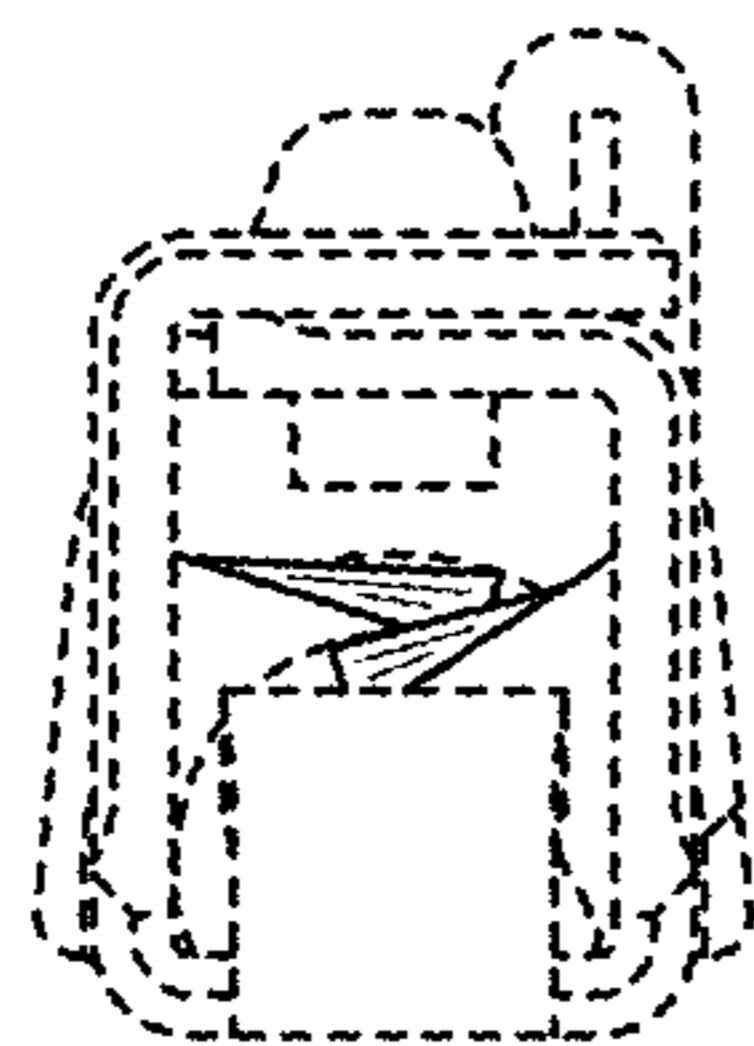


FIG. 6

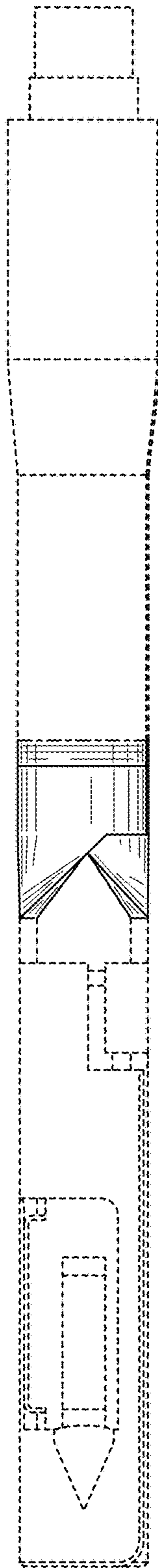


FIG. 7

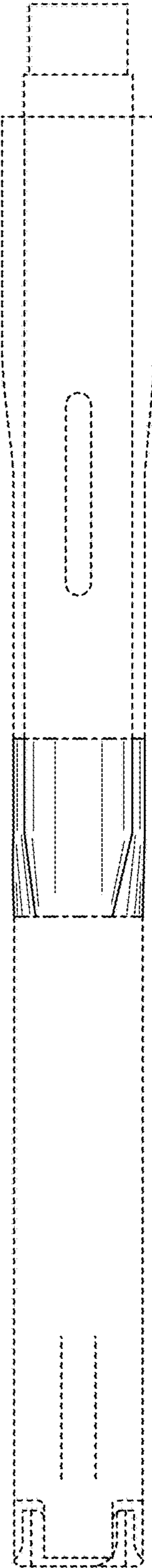


FIG. 8