



US00D843318S

(12) **United States Design Patent**
Baum

(10) **Patent No.:** **US D843,318 S**

(45) **Date of Patent:** **** Mar. 19, 2019**

(54) **PLUG CONNECTOR FOR DEVICE CHARGING**

(71) Applicant: **David Baum**, Orem, UT (US)

(72) Inventor: **David Baum**, Orem, UT (US)

(**) Term: **15 Years**

(21) Appl. No.: **29/557,758**

(22) Filed: **Mar. 11, 2016**

(51) **LOC (11) Cl.** **13-02**

(52) **U.S. Cl.**
USPC **D13/120**

(58) **Field of Classification Search**
USPC D13/102-106, 110, 119-121, 184, 147;
429/96-100, 163, 176
CPC H02J 2007/001; G06F 13/382; H01R
13/665; H01R 13/6683; H01R 13/703;
H01R 13/6658

See application file for complete search history.

(56) **References Cited**

U.S. PATENT DOCUMENTS

7,641,518 B2 * 1/2010 Lee H01R 13/6666
439/188
8,398,416 B2 * 3/2013 Tseng H01R 13/6658
439/188
D682,790 S * 5/2013 Katayanagi D13/147
D695,692 S * 12/2013 Takenaga D13/147
D706,223 S * 6/2014 Naito D13/147

D710,796 S * 8/2014 Ko D13/103
8,891,216 B2 * 11/2014 Mullins H04M 3/08
361/58
D724,019 S * 3/2015 Kwon D13/103
D745,848 S * 12/2015 Kobuchi D13/147
2013/0194734 A1 * 8/2013 Yoshikawa H01R 13/641
361/679.01
2014/0187078 A1 * 7/2014 Zhou H01R 13/6683
439/489
2017/0264057 A1 * 9/2017 Baum H01R 24/62

* cited by examiner

Primary Examiner — Derrick E Holland

Assistant Examiner — Jennifer O King

(74) *Attorney, Agent, or Firm* — Dodd Call Black, PLLC;
Dustin Call

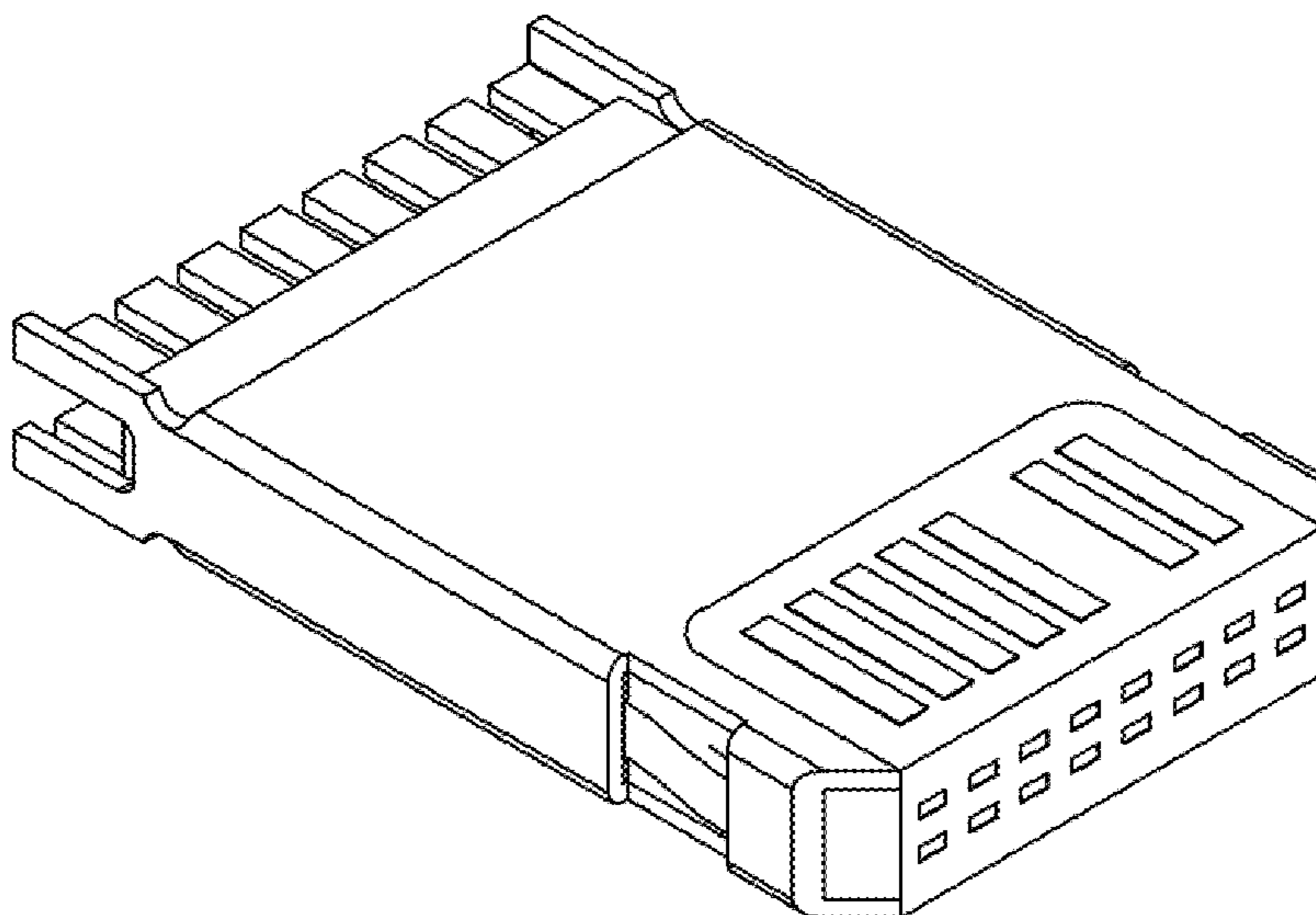
(57) **CLAIM**

The ornamental design for a plug connector for device charging, as shown and described.

DESCRIPTION

FIG. 1 is a top view of a plug connector for device charging;
FIG. 2 is a bottom view thereof;
FIG. 3 is a rear view thereof;
FIG. 4 is a front view thereof;
FIG. 5 is a left side view thereof;
FIG. 6 is a right side view thereof;
FIG. 7 is a front left perspective view thereof; and,
FIG. 8 is a rear right perspective view thereof.

1 Claim, 2 Drawing Sheets



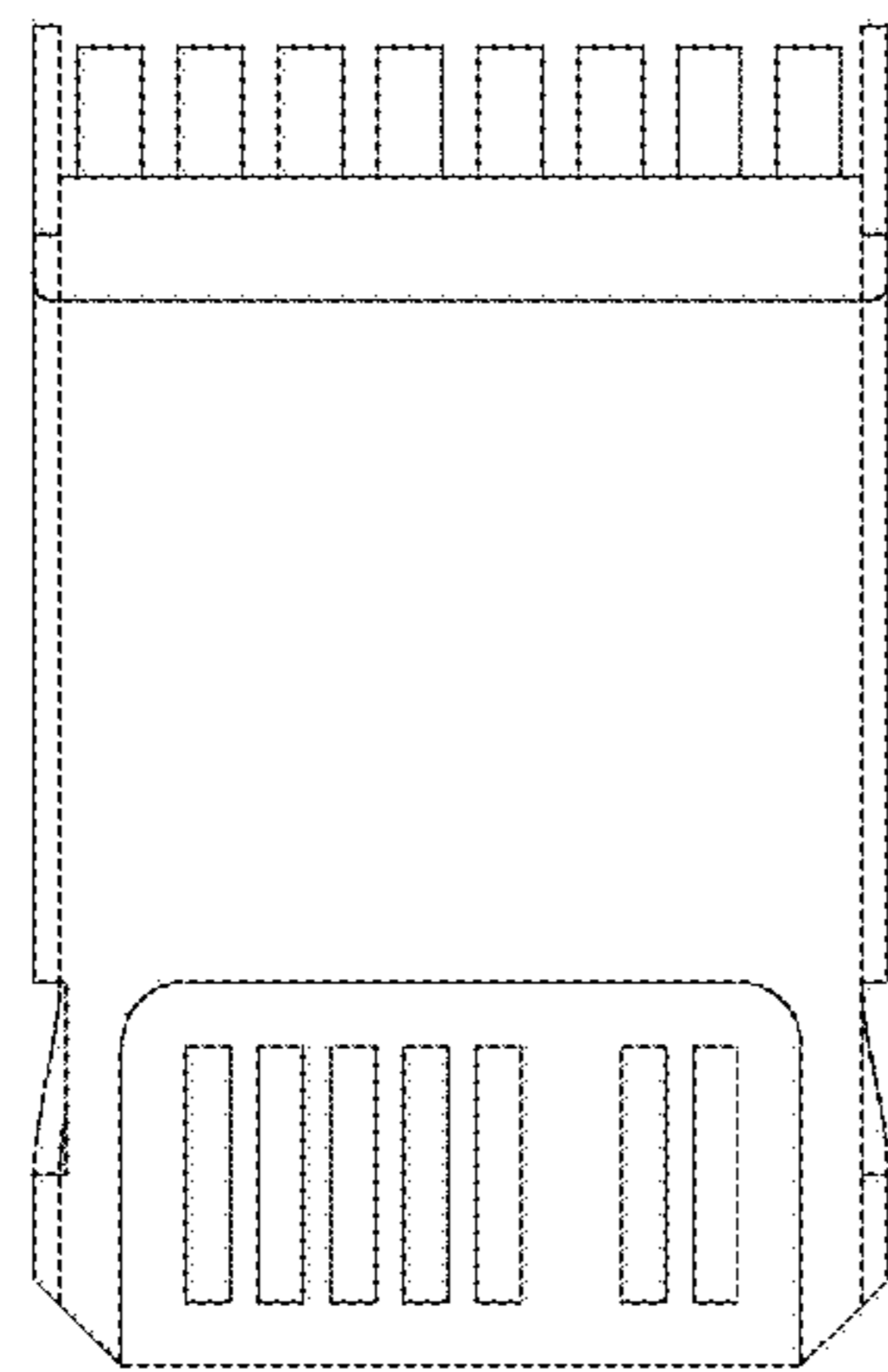


FIG. 1

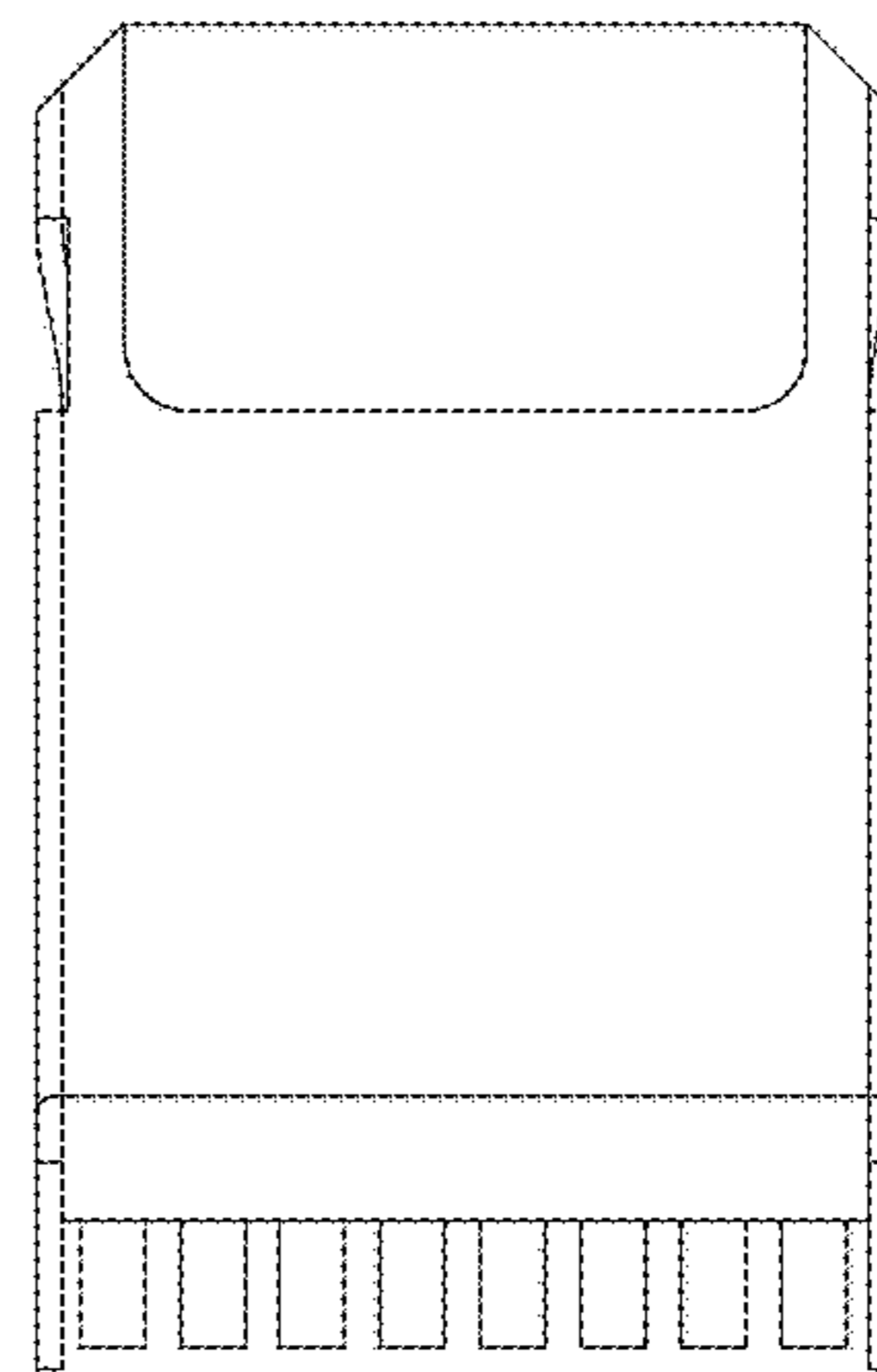


FIG. 2

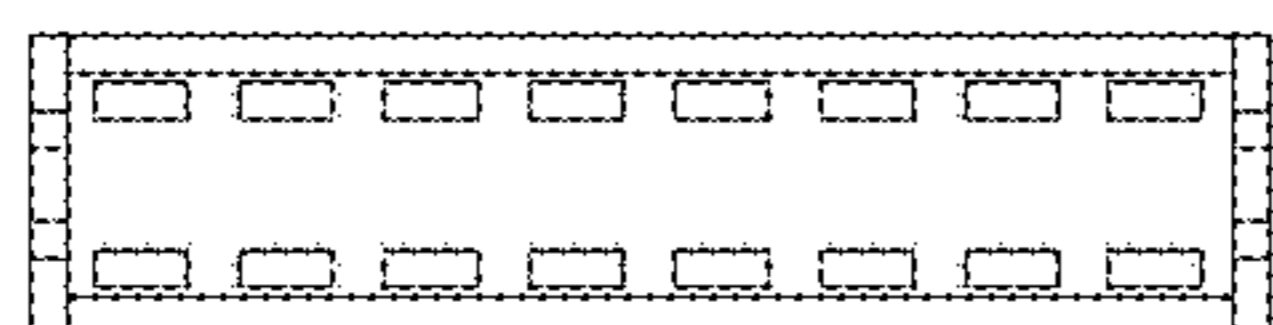


FIG. 3

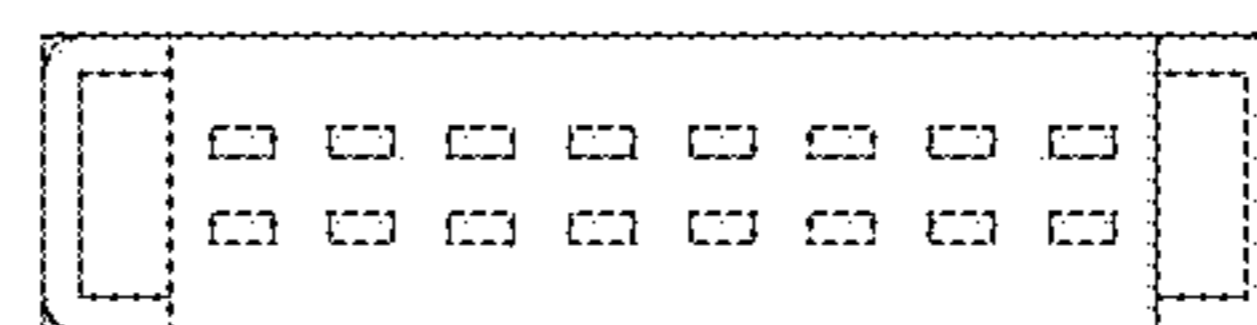


FIG. 4

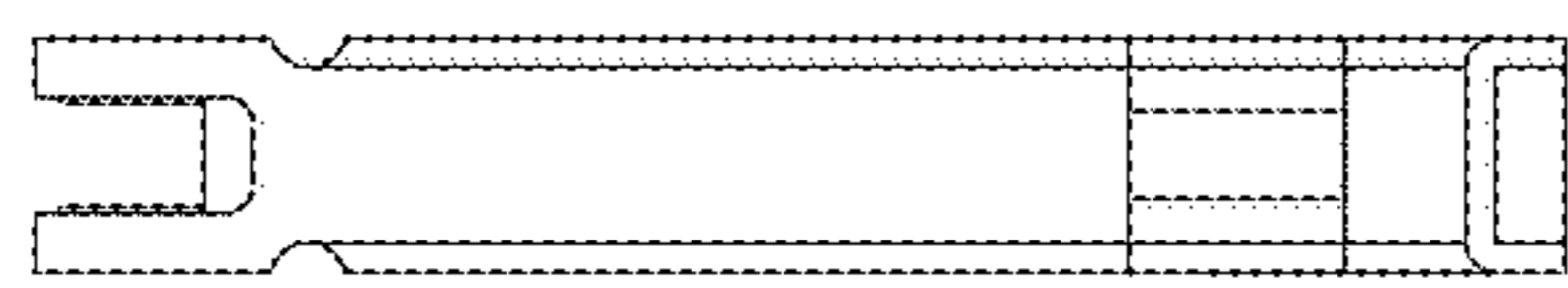


FIG. 5

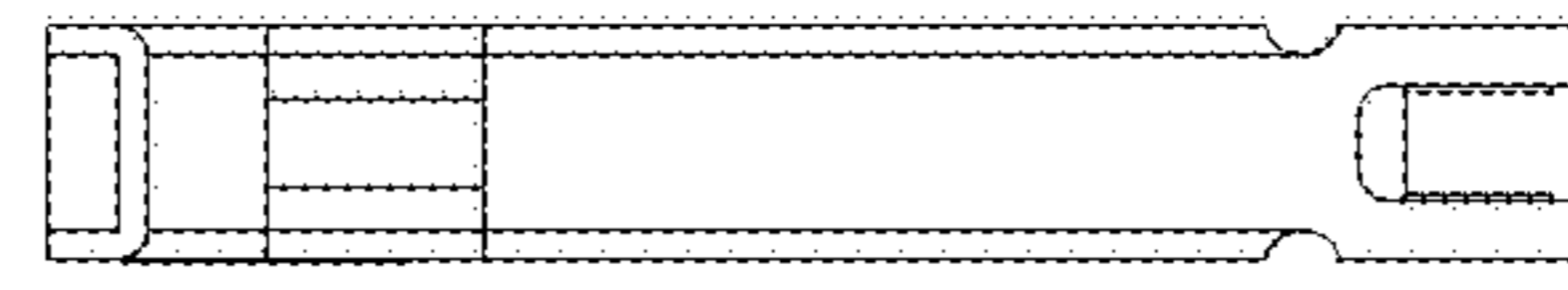


FIG. 6

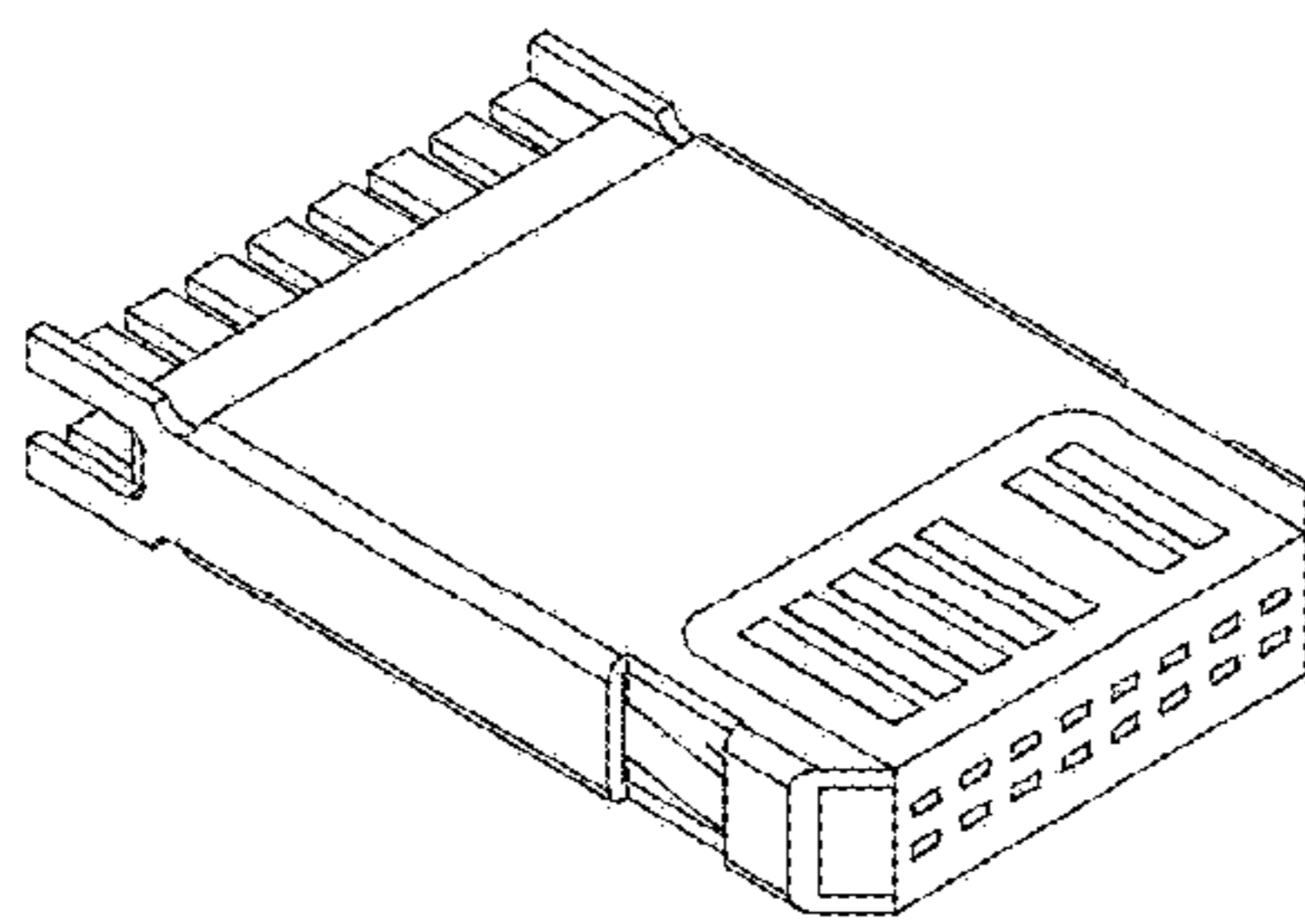


FIG. 7

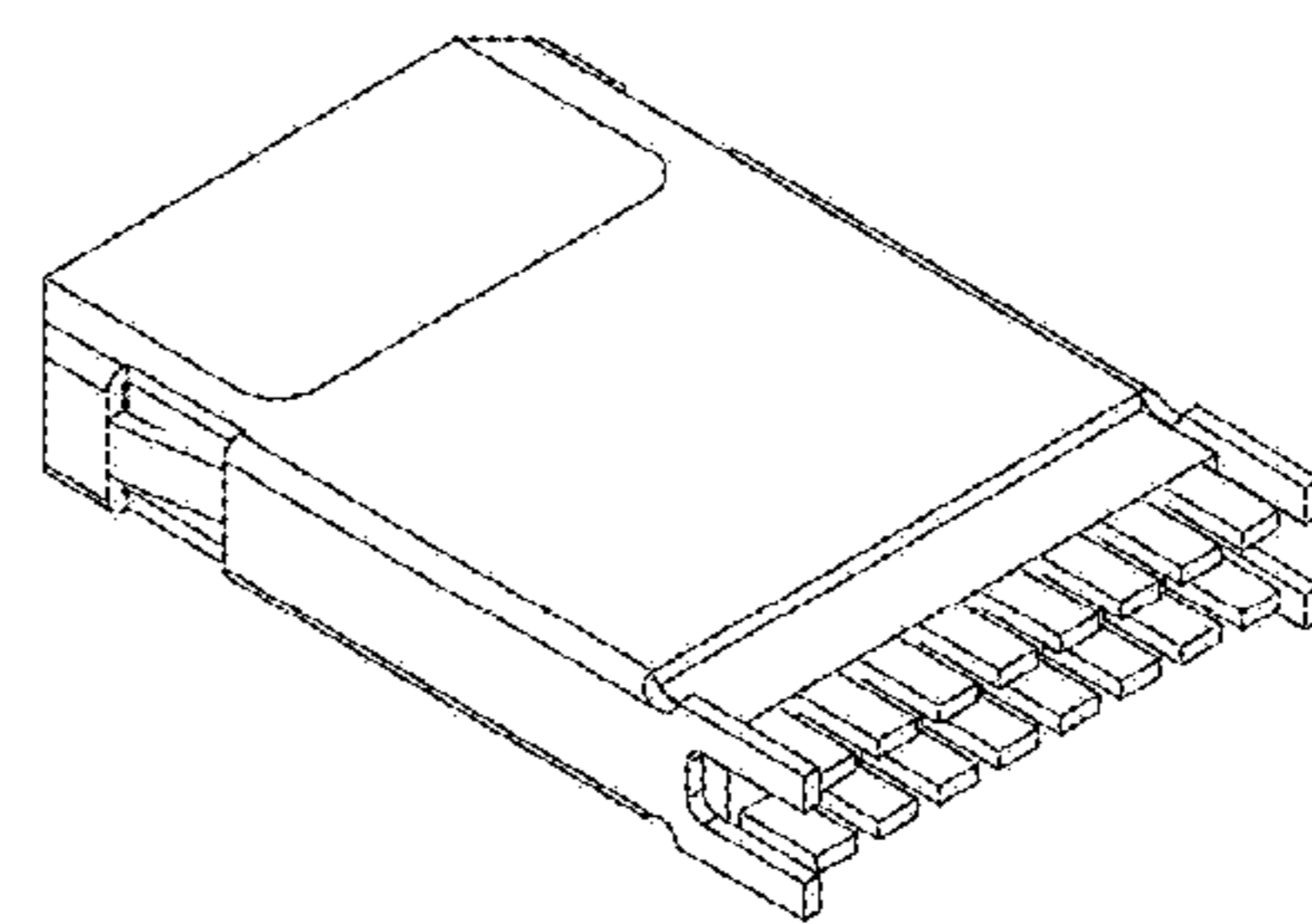


FIG. 8