



US00D843316S

(12) **United States Design Patent**
Zhou et al.

(10) **Patent No.:** **US D843,316 S**

(45) **Date of Patent:** **** Mar. 19, 2019**

(54) **CHARGER**

(71) Applicant: **Hunan Oceanwing E-commerce Co., Ltd**, Changsha (CN)

(72) Inventors: **Liangyu Zhou**, Changsha (CN); **Bing Tan**, Changsha (CN)

(73) Assignee: **HUNAN OCEANWING E-COMMERCE CO., LTD**, Changsha (CN)

(**) Term: **15 Years**

(21) Appl. No.: **29/594,411**

(22) Filed: **Feb. 17, 2017**

(51) **LOC (11) Cl.** **13-02**

(52) **U.S. Cl.**
USPC **D13/108**

(58) **Field of Classification Search**
USPC D13/107-110, 118-119, 184, 199;
D14/251, 253, 432, 434
CPC Y02E 60/12; Y02T 90/14; Y02T 90/122;
Y02T 90/128; Y02T 90/163; H02J 7/025;
H02J 7/0042; H02J 7/0044; H02J 7/0045;
H02J 7/0003; H01F 38/14; H01M 2/1022;
H01M 2/1055; H01M 10/44; H01M
10/46; H01M 10/425; B60L 11/182
See application file for complete search history.

(56) **References Cited**

U.S. PATENT DOCUMENTS

D565,571 S * 4/2008 Trifilio D14/356
D612,329 S * 3/2010 Guccione D13/108

D667,788 S * 9/2012 Mai D13/110
D708,129 S * 7/2014 Houghton D13/103
D712,351 S * 9/2014 Zeng D13/103
D713,786 S * 9/2014 Wen D13/103
D730,280 S * 5/2015 Koebler D13/107
D733,043 S * 6/2015 Hasbrook D13/103
D733,051 S * 6/2015 Wang D13/103
D760,647 S * 7/2016 Chen D13/103
D762,164 S * 7/2016 Lin D13/103
D762,169 S * 7/2016 Lei D13/108
D762,170 S * 7/2016 Lei D13/108
D763,790 S * 8/2016 Lei D13/108
D780,116 S * 2/2017 Bing D13/107
D787,443 S * 5/2017 Chiang D13/110
D788,037 S * 5/2017 Hung D13/110
D795,184 S * 8/2017 Jung D13/103
D812,000 S * 3/2018 Li D13/108
D824,328 S * 7/2018 Liu D13/108

* cited by examiner

Primary Examiner — Rosemary K Tarcza

(74) *Attorney, Agent, or Firm* — Ladas & Parry LLP

(57) **CLAIM**

We claim the ornamental design for a charger, as shown and described.

DESCRIPTION

FIG. 1 is a top plan view of a charger showing our new design;
FIG. 2 is a bottom plan view thereof;
FIG. 3 is a rear elevational view thereof;
FIG. 4 is a front elevational view thereof;
FIG. 5 is a left side elevational view thereof;
FIG. 6 is a right side elevational view thereof; and,
FIG. 7 is a perspective view thereof.

1 Claim, 3 Drawing Sheets

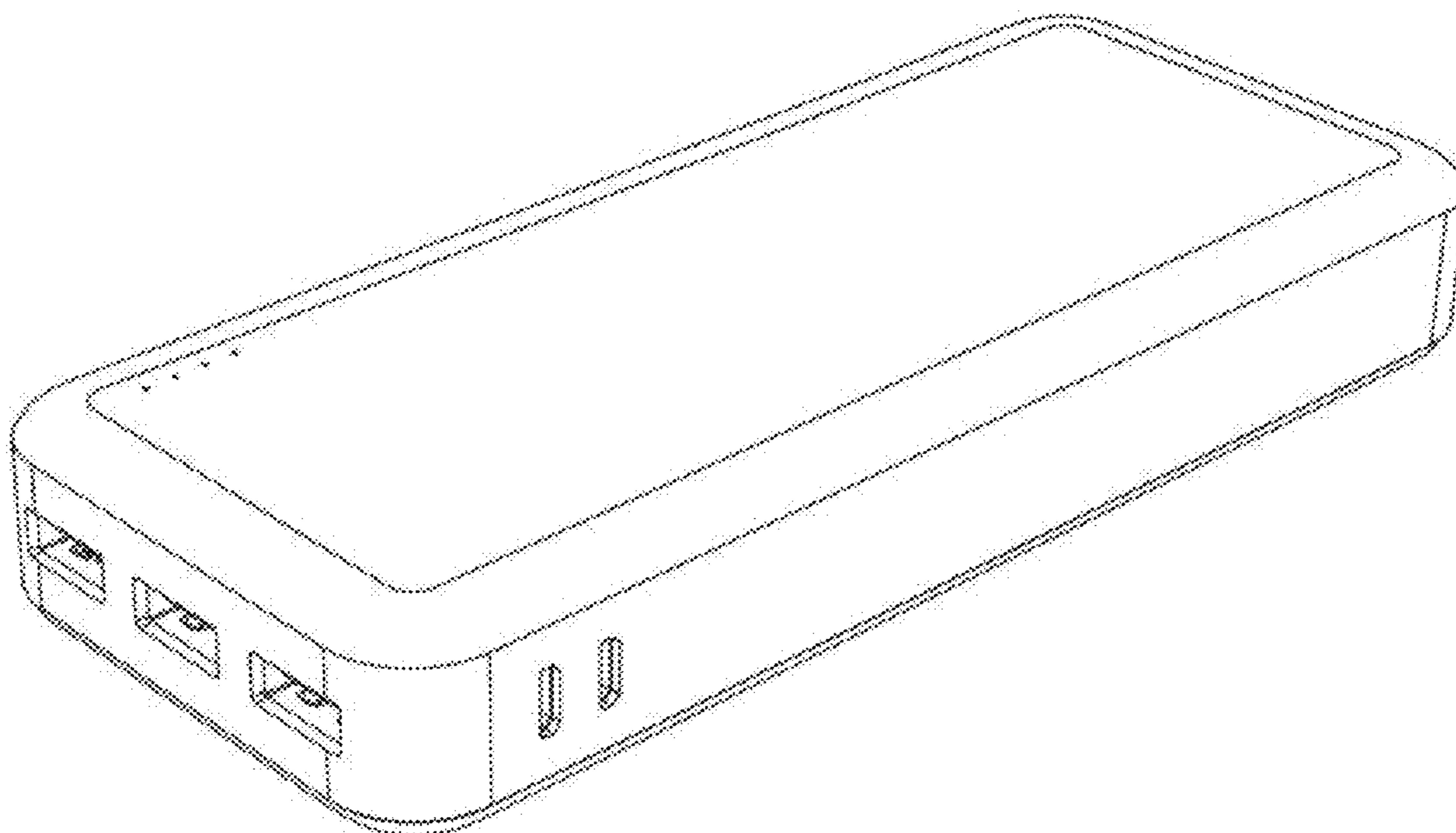


FIGURE 1

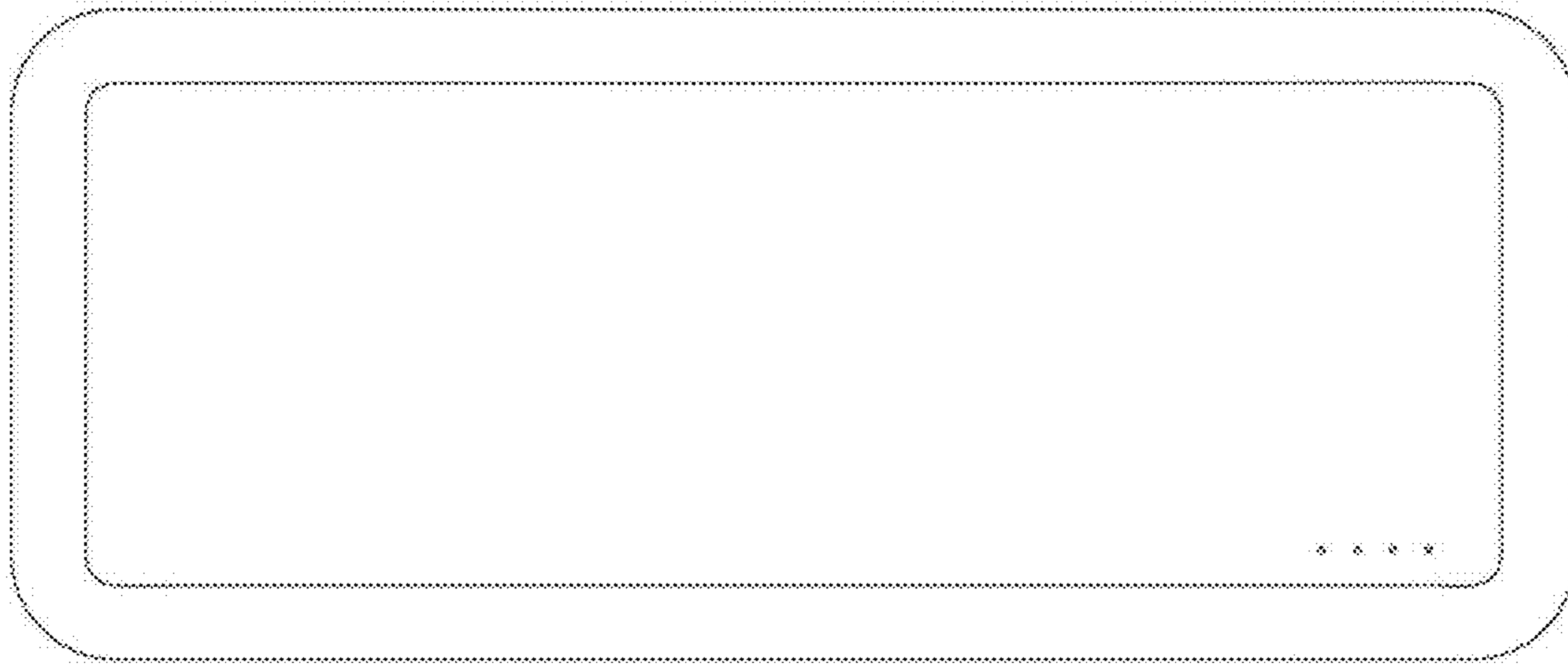


FIGURE 2

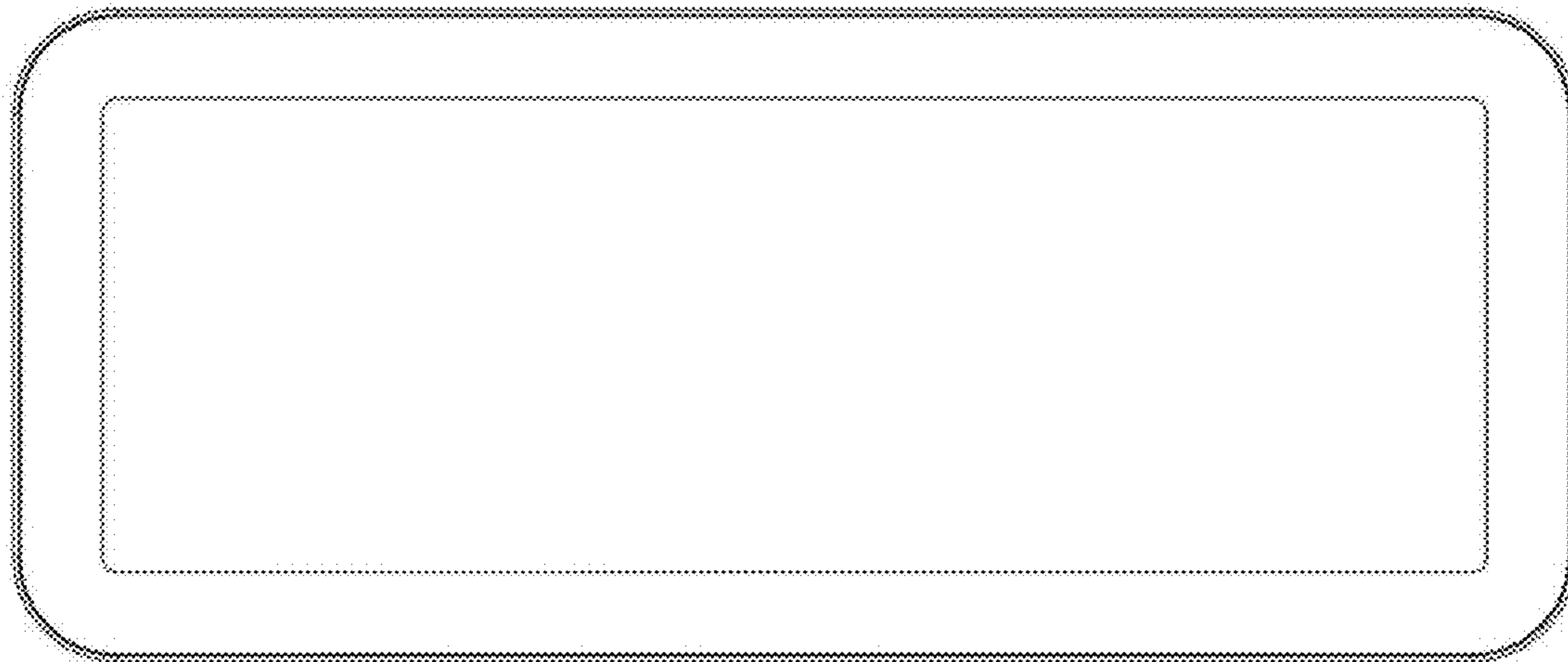


FIGURE 3

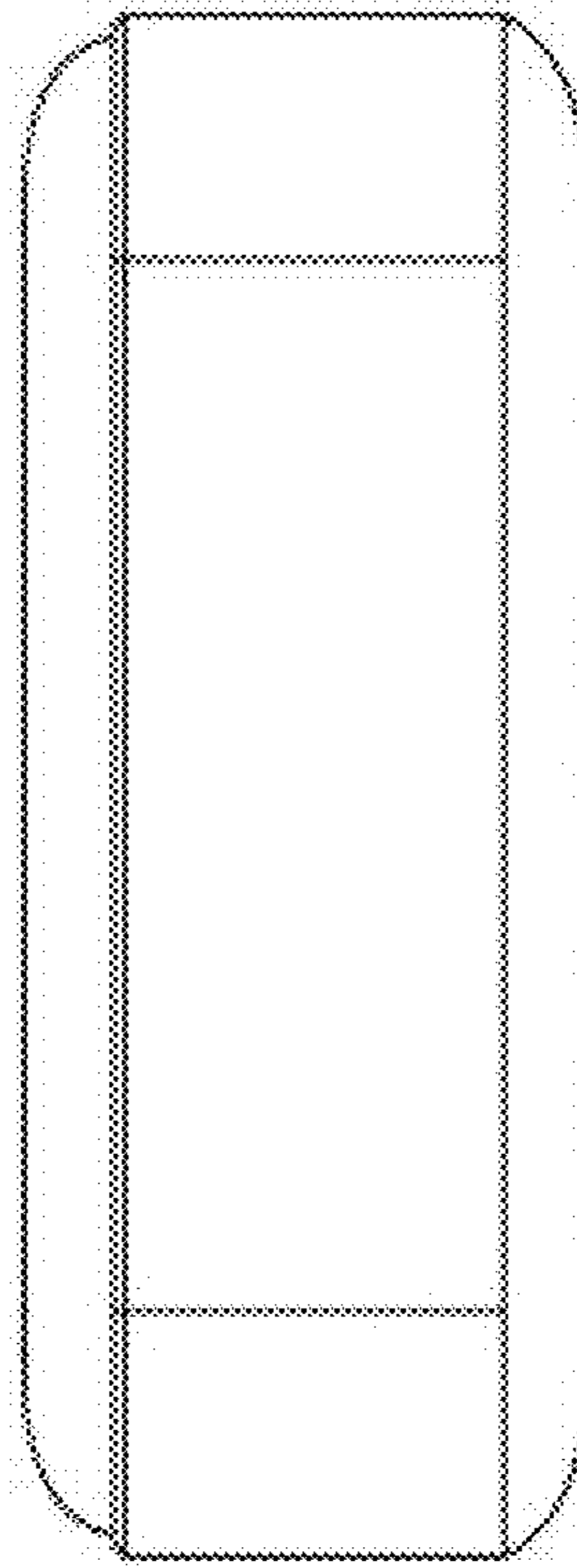


FIGURE 4

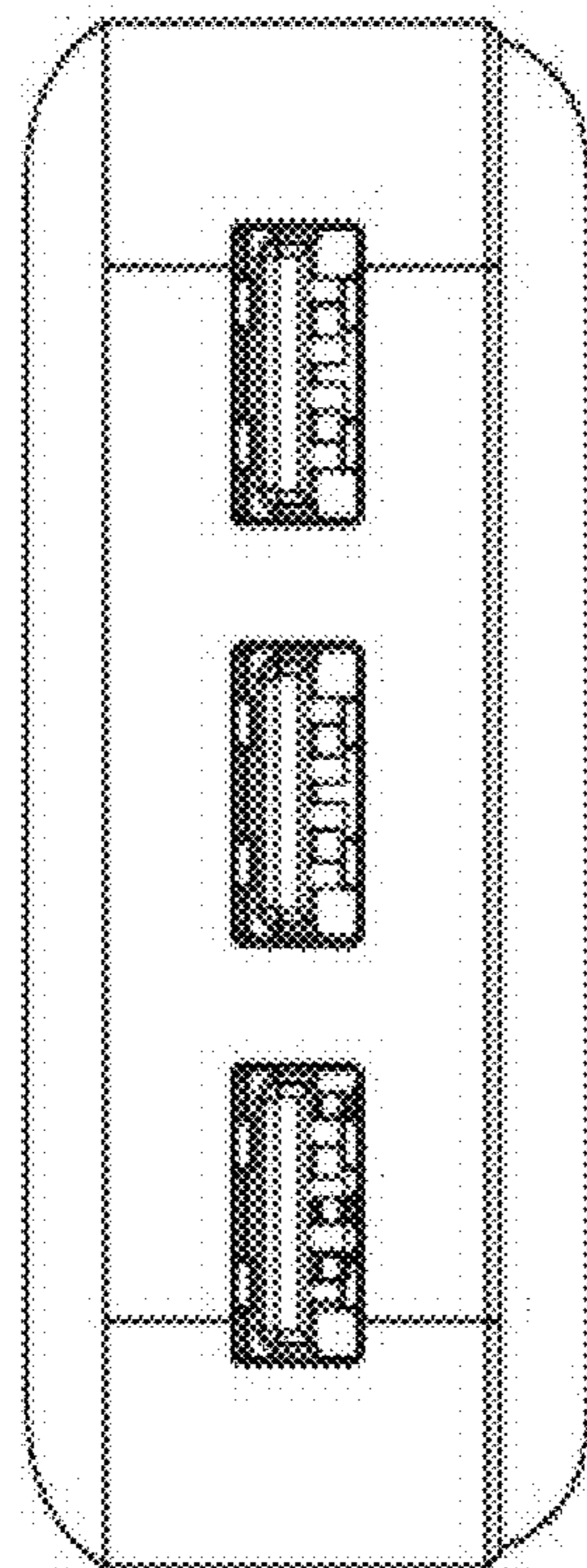


FIGURE 5

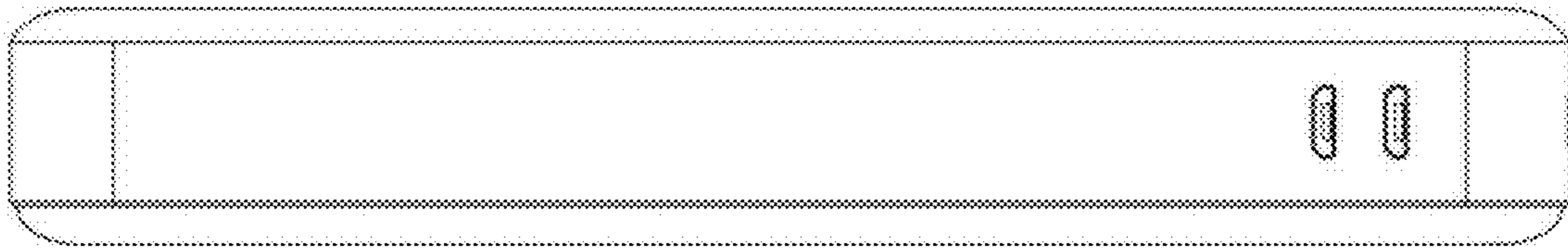


FIGURE 6

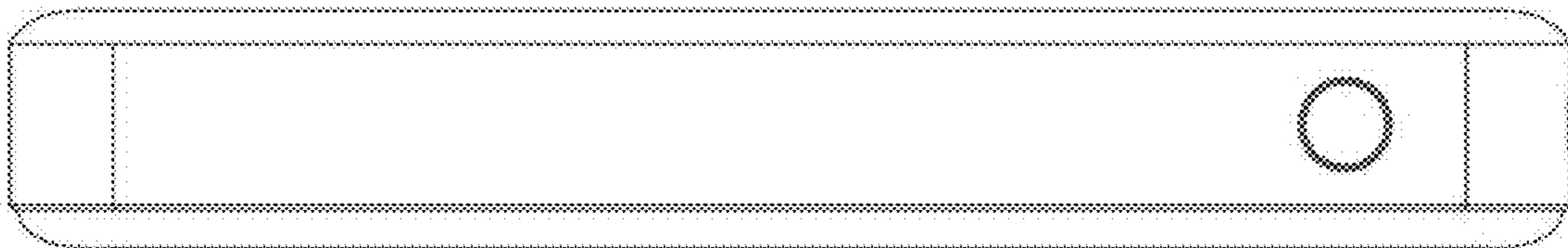


FIGURE 7

