



US00D843312S

(12) **United States Design Patent**  
**Cai**

(10) **Patent No.:** **US D843,312 S**

(45) **Date of Patent:** **\*\* Mar. 19, 2019**

(54) **TIRE**

(71) Applicant: **Jianxin Tyre(Fujian) Co., Ltd.**, Fujian (CN)

(72) Inventor: **Youzhi Cai**, Fujian (CN)

(\*\*) Term: **15 Years**

(21) Appl. No.: **29/604,318**

(22) Filed: **May 17, 2017**

(30) **Foreign Application Priority Data**

Nov. 20, 2016 (CN) ..... 2016 3 0562366

(51) **LOC (11) Cl.** ..... **12-15**

(52) **U.S. Cl.**  
USPC ..... **D12/588**

(58) **Field of Classification Search**  
USPC ..... D12/586, 587, 588, 589, 590, 600, 601  
CPC ..... B60C 11/032; B60C 11/0388  
See application file for complete search history.

(56) **References Cited**

**U.S. PATENT DOCUMENTS**

D410,420 S *	6/1999	de Barys	.....	D12/600
D458,584 S *	6/2002	Young	.....	D12/600
D477,566 S *	7/2003	Nonaka	.....	D12/600
D505,387 S *	5/2005	Nonaka	.....	D12/579
D517,471 S *	3/2006	Robert	.....	D12/600

D541,735 S *	5/2007	Yamaguchi	.....	D12/587
D592,590 S *	5/2009	Janesh	.....	D12/588
D643,360 S *	8/2011	Yamaguchi	.....	D12/588
D645,396 S *	9/2011	Jacobs	.....	D12/600
D653,199 S *	1/2012	Scheuren	.....	D12/588
D662,459 S *	6/2012	Kojima	.....	D12/600
D669,426 S *	10/2012	Fujioka	.....	D12/600
D685,724 S *	7/2013	Jacobs	.....	D12/600
D746,224 S *	12/2015	Drake	.....	D12/600
D761,192 S *	7/2016	Dixon	.....	D12/594
D780,675 S *	3/2017	Di-Mauro	.....	D12/588
D781,223 S *	3/2017	Dixon	.....	D12/588
D802,524 S *	11/2017	Haas	.....	D12/594

\* cited by examiner

*Primary Examiner* — Robert M. Spear

(74) *Attorney, Agent, or Firm* — Prakash Nama; Global IP Services, PLLC

(57) **CLAIM**

The ornamental design for a tire, as shown.

**DESCRIPTION**

FIG. 1 is a front elevational view of a tire showing my new design;

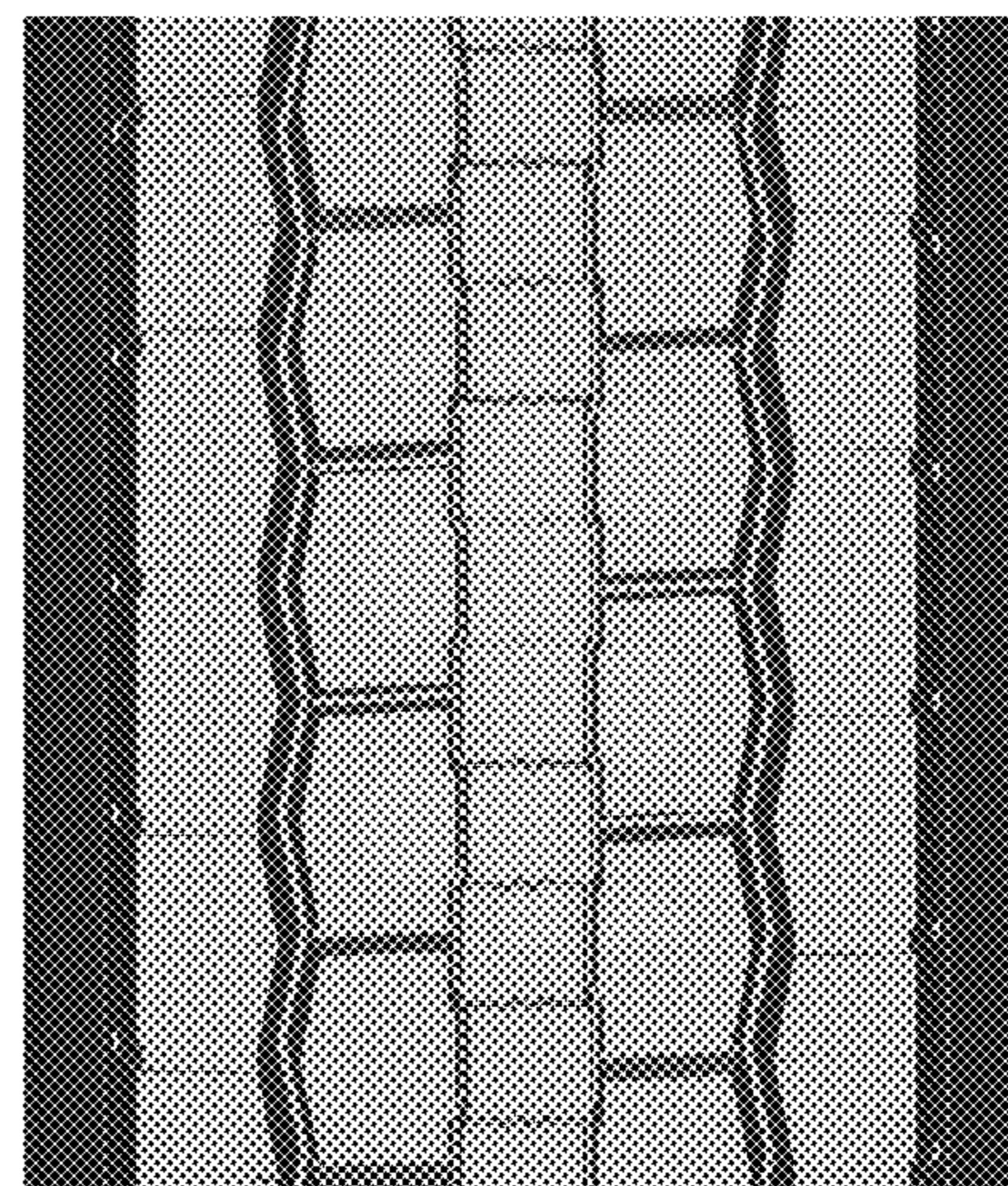
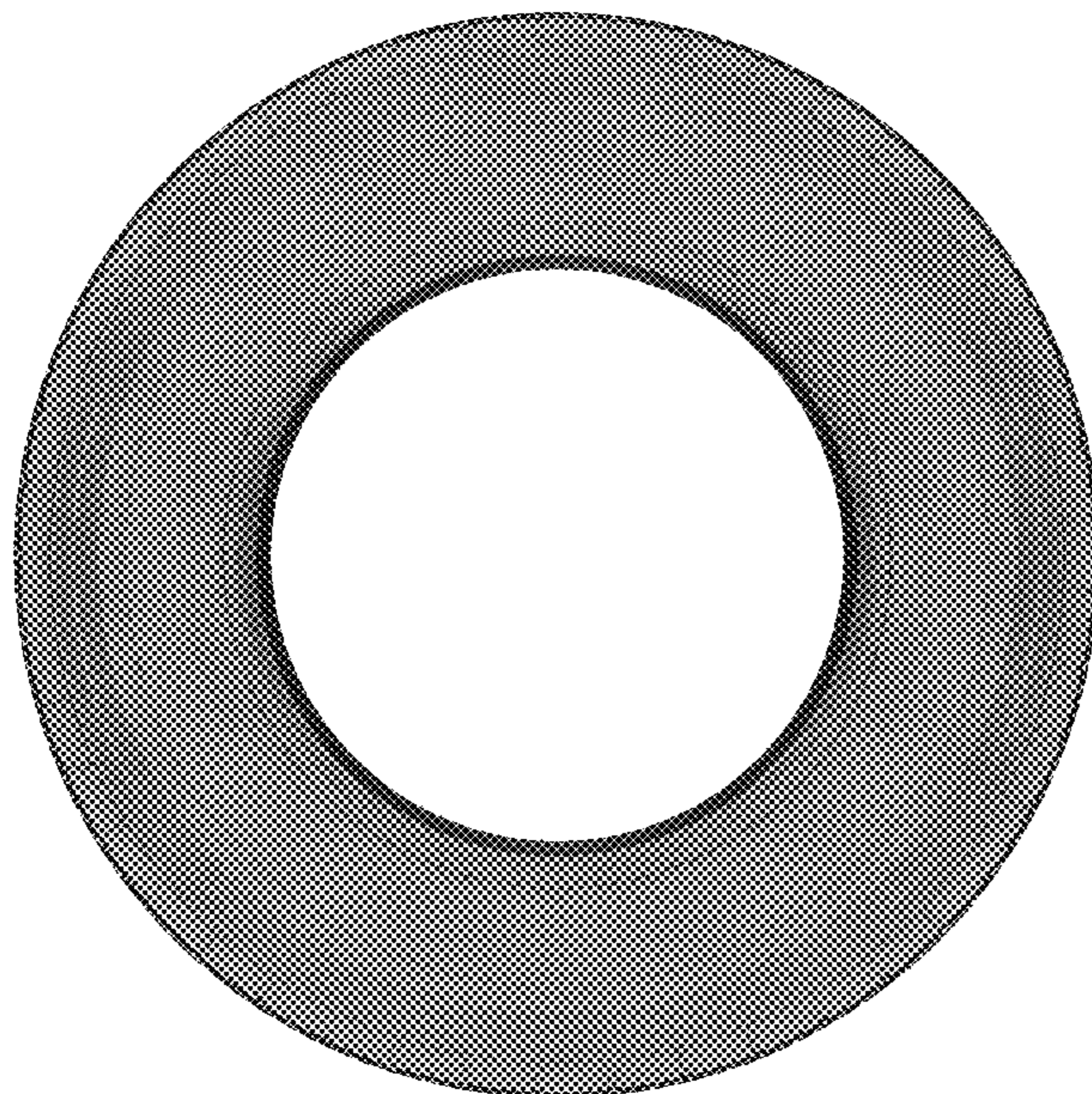
FIG. 2 is a left side view thereof;

FIG. 3 is a perspective view thereof;

FIG. 4 is an enlarged view of portion A shown in FIG. 1; and,

FIG. 5 is an enlarged view of portion B shown in FIG. 3.

**1 Claim, 5 Drawing Sheets**





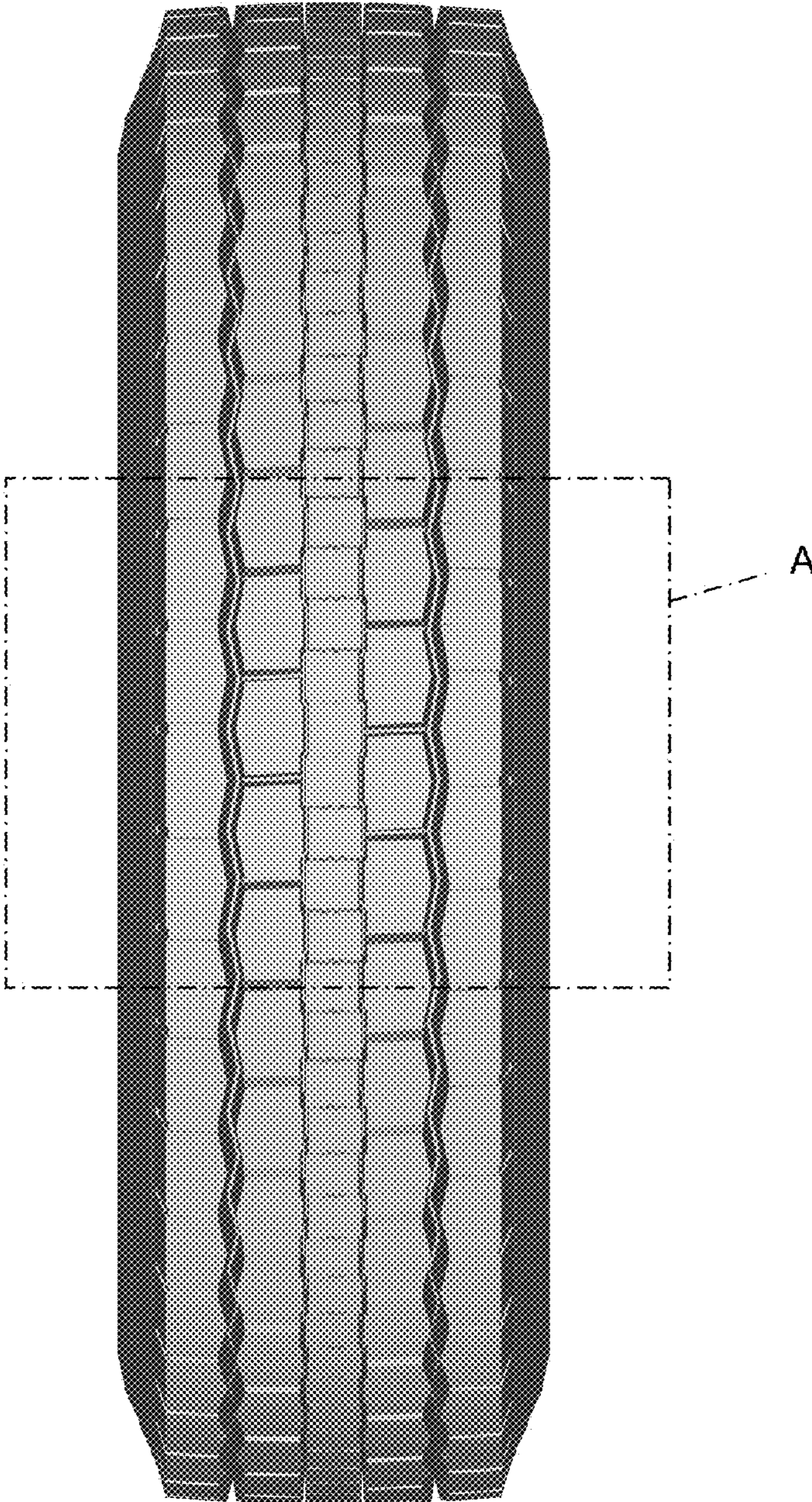


FIG. 1



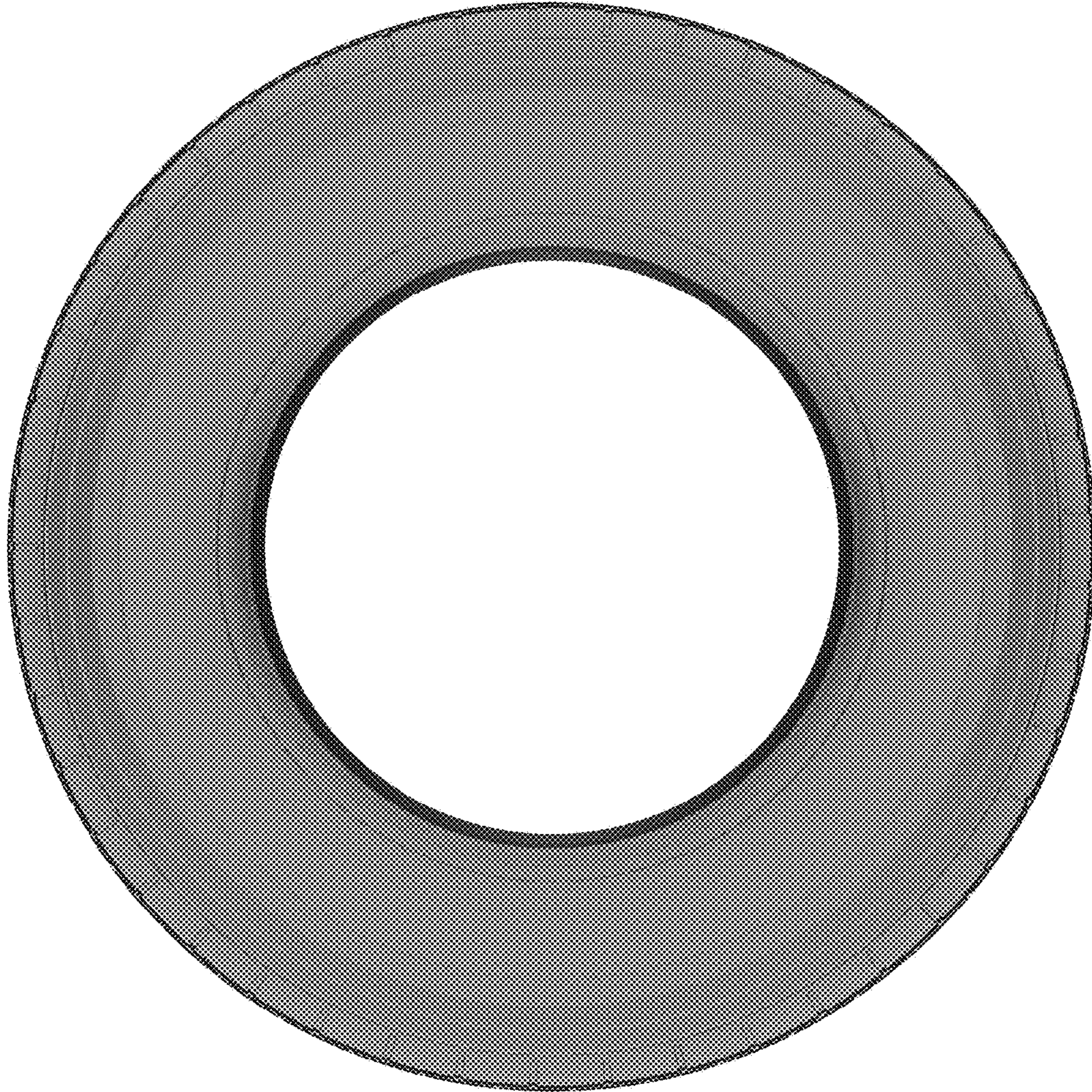


FIG. 2



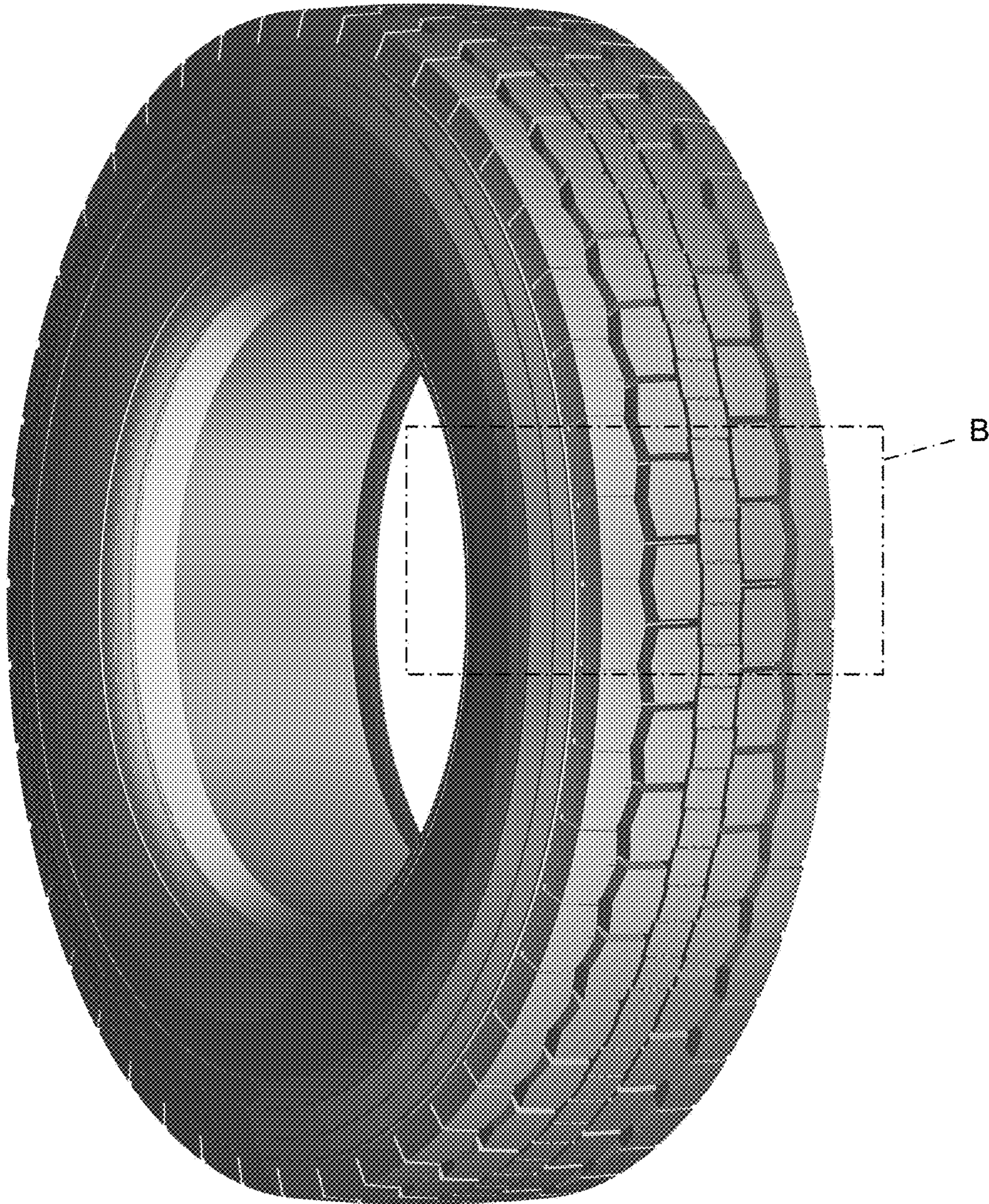


FIG. 3



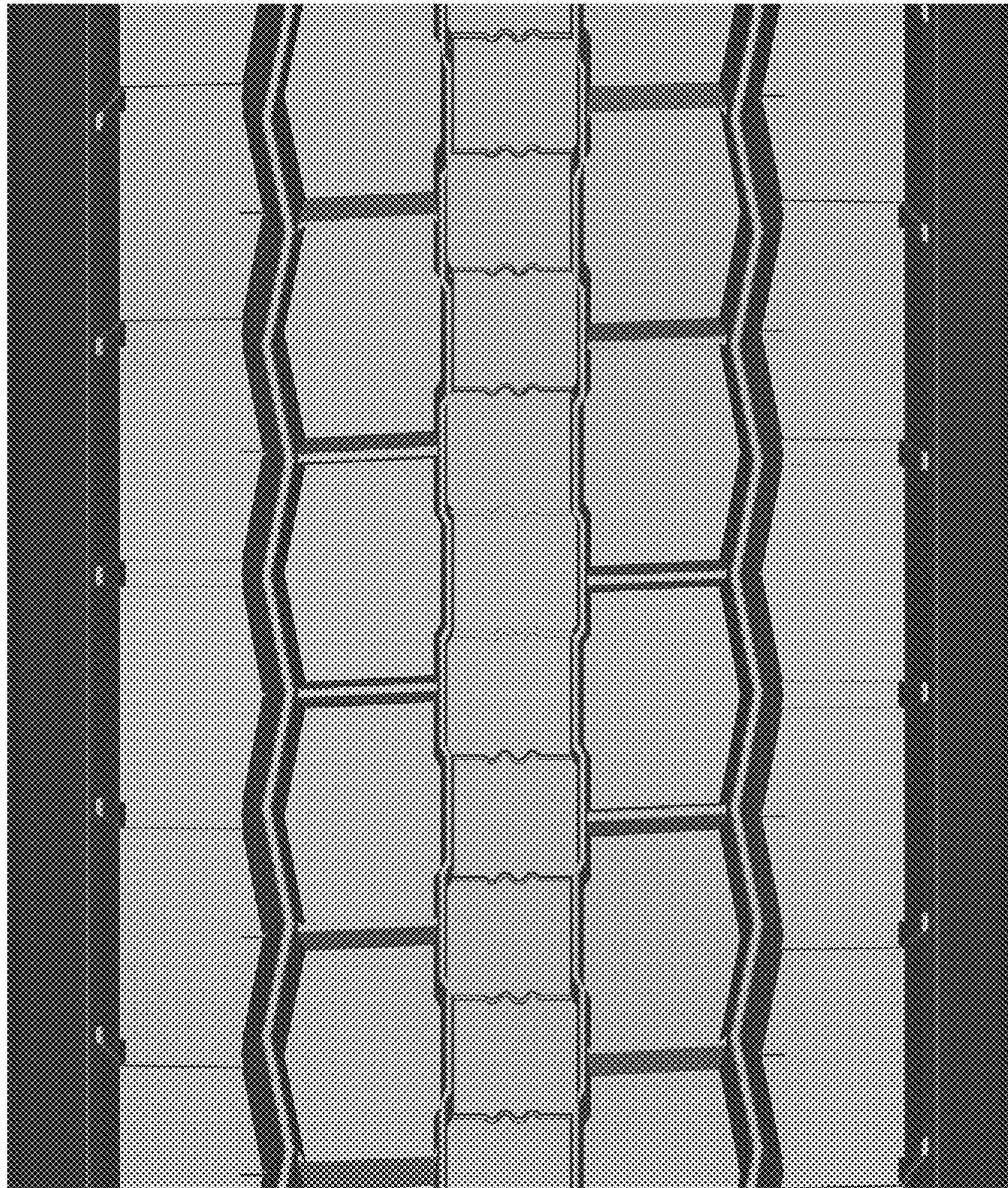


FIG. 4





FIG. 5