



US00D843306S

(12) **United States Design Patent** (10) **Patent No.:** **US D843,306 S**
Tzarnotzky et al. (45) **Date of Patent:** **** Mar. 19, 2019**

(54) **AIRCRAFT**
(71) Applicant: **Kitty Hawk Corporation**, Mountain View, CA (US)
(72) Inventors: **Uri Tzarnotzky**, Sunnyvale, CA (US); **James Joseph Tighe**, San Jose, CA (US); **Herve Martins-Rivas**, Mountain View, CA (US)
(73) Assignee: **Kitty Hawk Corporation**, Mountain View, CA (US)

(**) Term: **15 Years**

(21) Appl. No.: **29/640,152**

(22) Filed: **Mar. 12, 2018**

(51) **LOC (11) Cl.** **12-07**

(52) **U.S. Cl.**
USPC **D12/329**; D12/16.1; D12/326

(58) **Field of Classification Search**
USPC D12/16.1, 319-345; D21/436, 438, 441, D21/442, 443, 444, 447, 448, 449, 450, D21/451, 452, 454
CPC ... B64C 29/00; B64C 2201/141; B64C 27/24; B64C 27/30; B64C 39/04; B64C 29/0033; B64C 29/0025

See application file for complete search history.

(56) **References Cited**

U.S. PATENT DOCUMENTS

D91,444 S * 1/1934 Shelton D12/335
D119,714 S * 3/1940 Hibbard et al. 244/13
D145,680 S * 10/1946 Sebold 244/13
D148,673 S * 2/1948 Boyes 244/45 R
D162,517 S * 3/1951 Burnelli 244/13
2,752,114 A * 6/1956 Calvy B60J 5/125
244/118.3
D183,383 S * 8/1958 Projo de Asis D12/324
D190,004 S * 3/1961 Doak D12/330
D190,534 S * 6/1961 Smolinski D12/330
D192,195 S * 2/1962 Stepniewski D12/330

D192,337 S * 3/1962 Skaggs D12/335
D192,665 S * 4/1962 Stepniewski D12/335
D193,122 S * 6/1962 Walker D12/330
D193,369 S * 8/1962 Walker D12/330
D193,452 S * 8/1962 Rellis D12/330
D194,817 S * 3/1963 Paxhia 446/58
D195,794 S * 7/1963 Dancik D12/330

(Continued)

FOREIGN PATENT DOCUMENTS

EM 005518826-0001 * 7/2018
EM 005518826-0002 * 7/2018

OTHER PUBLICATIONS

New autonomous flying car revealed in NZ by motoring. dated Mar. 15, 2018. found online [Oct. 12, 2018] <https://www.motoring.com.au/new-autonomous-flying-car-revealed-in-nz-111606/>.*

Primary Examiner — Marissa J Cash

(74) *Attorney, Agent, or Firm* — Van Pelt, Yi & James LLP

(57) **CLAIM**

We claim the ornamental design for an aircraft, as shown and described.

DESCRIPTION

FIG. 1 is a perspective view taken from a top, front, and left side of an aircraft.

FIG. 2 is a front view of the aircraft of FIG. 1.

FIG. 3 is a rear view of the aircraft of FIG. 1.

FIG. 4 is a left view of the aircraft of FIG. 1.

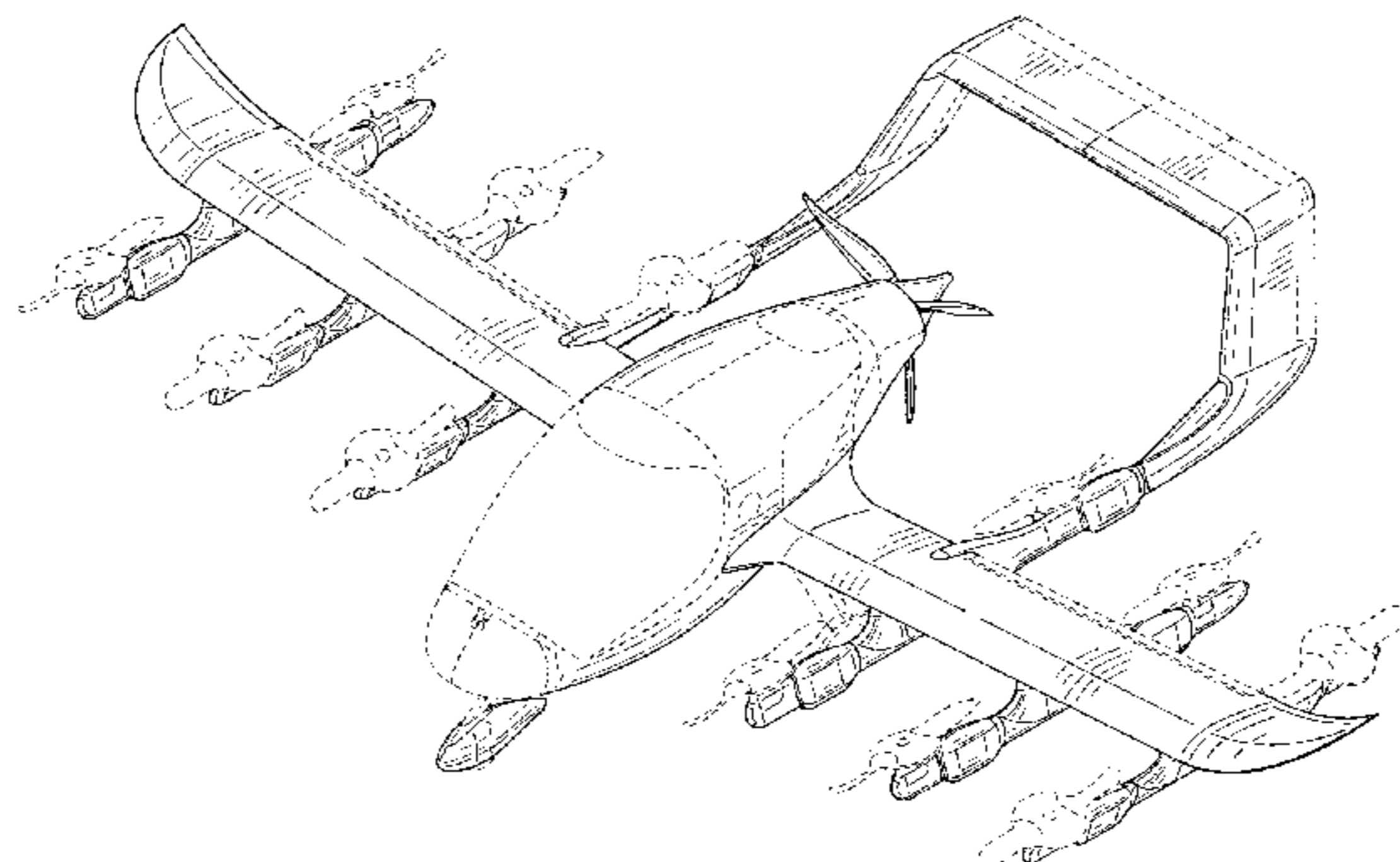
FIG. 5 is a right view of the aircraft of FIG. 1.

FIG. 6 is a top view of the aircraft of FIG. 1; and,

FIG. 7 is a bottom view of the aircraft of FIG. 1.

In the drawings, the claimed design is defined by the shaded surfaces; broken lines immediately adjacent shaded surfaces represent boundaries of the claim and form no part thereof; all other broken lines depict portions of the aircraft that form no part of the claim.

1 Claim, 7 Drawing Sheets



(56)

References Cited

U.S. PATENT DOCUMENTS

D196,213 S * 9/1963 Paxhia D12/330
 D201,892 S * 8/1965 Katz D21/450
 D203,283 S * 12/1965 Woods 244/13
 3,360,217 A * 12/1967 Trotter B64C 29/0033
 244/12.4
 D217,402 S * 4/1970 Miller D12/337
 D223,869 S * 6/1972 Hurkamp D12/337
 D232,711 S * 9/1974 Kirchner 244/13
 D239,522 S * 4/1976 Wheatley D12/335
 D240,909 S * 8/1976 Whitener D12/335
 D267,794 S * 2/1983 Krojer D12/319
 D292,194 S * 10/1987 Moller D12/325
 4,746,082 A * 5/1988 Syms B64D 47/08
 244/118.2
 4,757,962 A * 7/1988 Grant B64C 39/001
 180/116
 4,848,702 A * 7/1989 Riggins B64C 25/54
 244/105
 D319,805 S * 9/1991 Wiegert D12/319
 D326,255 S * 5/1992 Graham D12/319
 5,115,996 A * 5/1992 Moller B64C 29/0025
 239/265.19
 D446,182 S * 8/2001 Adam, Jr. D12/319
 D454,109 S * 3/2002 Moshier D12/319
 D493,411 S * 7/2004 Fong D12/319
 D498,201 S * 11/2004 Moller D12/319
 D500,729 S * 1/2005 Wilding D12/319
 D500,981 S * 1/2005 Wilding D12/319
 D516,008 S * 2/2006 Vignerou D12/319
 D573,939 S * 7/2008 Las Heras D12/319
 D592,582 S * 5/2009 Tamm D12/319
 D605,576 S * 12/2009 Posva D12/343
 D612,317 S * 3/2010 Stinemetze D12/319
 D634,257 S * 3/2011 Alexander D12/326
 D665,333 S * 8/2012 Oliver D12/326
 D678,169 S * 3/2013 Kennelly D12/319
 D696,618 S * 12/2013 Wang D12/326
 D708,272 S * 7/2014 Schmelter D12/16.1
 D717,227 S * 11/2014 Herzberger D12/324
 D724,001 S * 3/2015 Garreau D12/326
 9,120,560 B1 * 9/2015 Armer B64C 29/0008
 D740,201 S * 10/2015 Wang D12/326
 D741,247 S * 10/2015 Brody D12/326
 D741,751 S * 10/2015 Klaptocz D12/16.1
 D743,868 S * 11/2015 Cummings D12/328
 D747,775 S * 1/2016 Colin D12/16.1
 D751,025 S * 3/2016 Howell D12/16.1
 D761,690 S * 7/2016 Friesmuth D12/16.1
 D778,371 S * 2/2017 Barajas D12/327
 D779,595 S * 2/2017 Xiao D12/16.1
 D789,248 S * 6/2017 Ketcher D12/16.1

9,694,911 B2 * 7/2017 Bevirt B64D 27/24
 9,764,833 B1 * 9/2017 Tighe B64C 29/0025
 9,783,288 B1 * 10/2017 Moore B64C 27/322
 D801,856 S * 11/2017 Zhou D12/16.1
 D803,724 S * 11/2017 Zhou D12/16.1
 9,845,150 B2 * 12/2017 Kroo B64C 3/56
 D808,328 S * 1/2018 Ivans D12/328
 D808,329 S * 1/2018 Parks D12/328
 D809,970 S * 2/2018 Zhou D12/16.1
 D810,653 S * 2/2018 Hu D12/327
 9,898,033 B1 * 2/2018 Long B64C 13/04
 9,944,386 B1 * 4/2018 Reichert B64C 27/08
 D816,547 S * 5/2018 Cui D12/16.1
 D816,583 S * 5/2018 Dutertre D12/328
 9,957,042 B1 * 5/2018 Vander Lind B64C 29/0033
 9,975,631 B1 * 5/2018 McLaren B64C 29/0033
 D821,263 S * 6/2018 Goldy D12/16.1
 D822,579 S * 7/2018 Lienhard D12/328
 10,011,348 B1 * 7/2018 Wong B64C 13/14
 D824,804 S * 8/2018 Tian D12/16.1
 2006/0016930 A1 * 1/2006 Pak A63H 27/14
 244/12.4
 2008/0142643 A1 * 6/2008 Yoeli B60V 1/06
 244/23 R
 2008/0283673 A1 * 11/2008 Yoeli B60V 1/043
 244/23 A
 2010/0181414 A1 * 7/2010 Lopez, Jr. B64C 29/0033
 244/12.4
 2012/0043413 A1 * 2/2012 Smith B64C 29/0033
 244/12.4
 2012/0091257 A1 * 4/2012 Wolff B64C 29/0033
 244/12.4
 2012/0234968 A1 * 9/2012 Smith B64C 29/0033
 244/12.3
 2014/0339372 A1 * 11/2014 Dekel B64C 29/0033
 244/7 R
 2016/0144956 A1 * 5/2016 Parks G05D 1/102
 244/63
 2016/0167780 A1 * 6/2016 Giovenga B64C 3/385
 244/7 R
 2016/0200436 A1 * 7/2016 North B64C 29/0033
 244/7 R
 2016/0229531 A1 * 8/2016 Robertson B64C 29/0033
 2016/0236774 A1 * 8/2016 Niedzballa B64C 27/30
 2016/0244158 A1 * 8/2016 Fredericks B64C 25/52
 2017/0210481 A1 * 7/2017 Bak B64D 27/24
 2017/0300065 A1 * 10/2017 Douglas G05D 1/0676
 2017/0300067 A1 * 10/2017 Douglas B64C 29/0025
 2017/0349281 A1 * 12/2017 Quinlan B64C 39/024
 2017/0369161 A1 * 12/2017 Alzahrani B64C 29/0033
 2018/0057157 A1 * 3/2018 Groninga B64C 27/82
 2018/0162525 A1 * 6/2018 St. Clair B64C 29/0025
 2018/0290735 A1 * 10/2018 Uptigrove B64C 29/0025

* cited by examiner

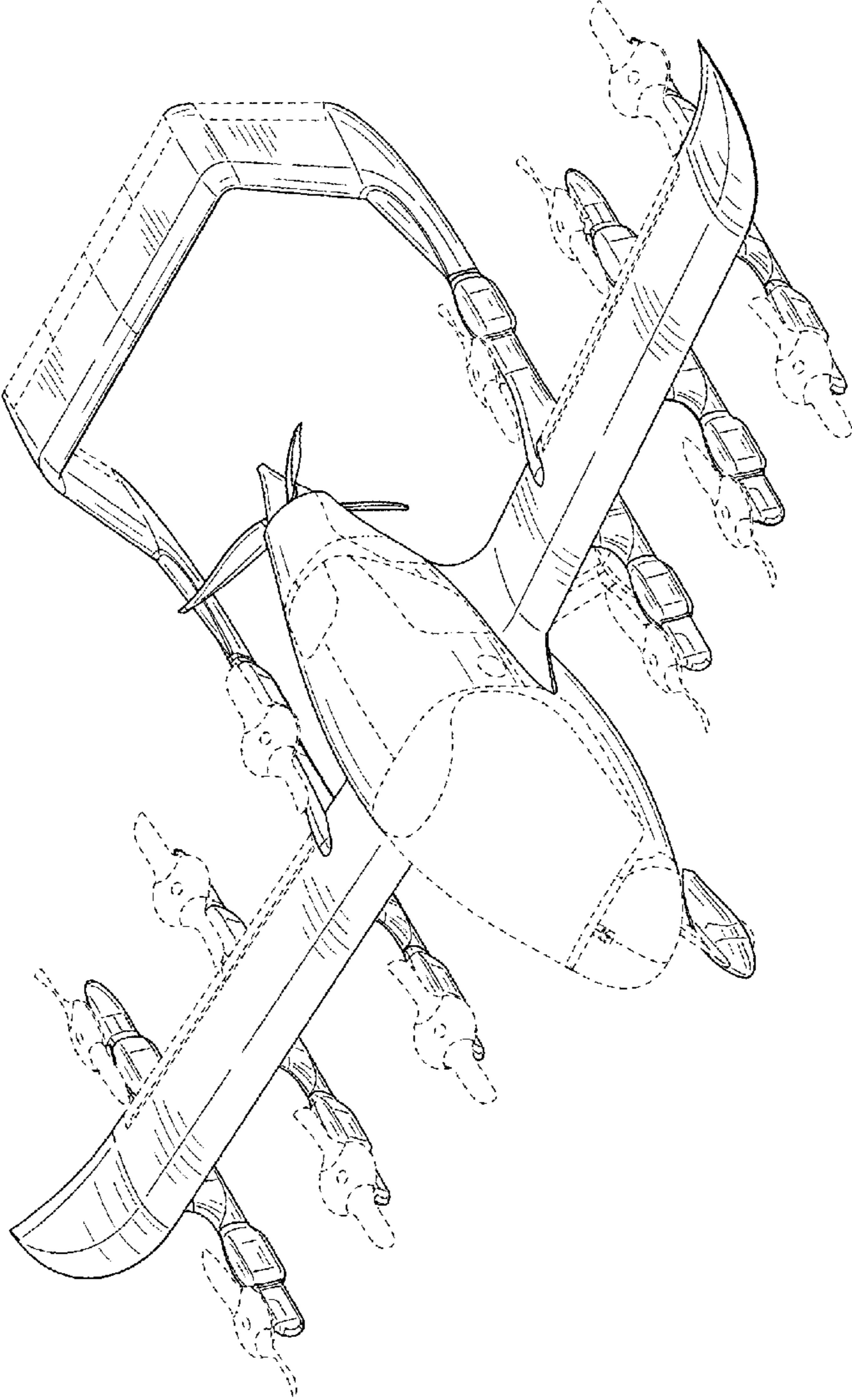


FIG. 1

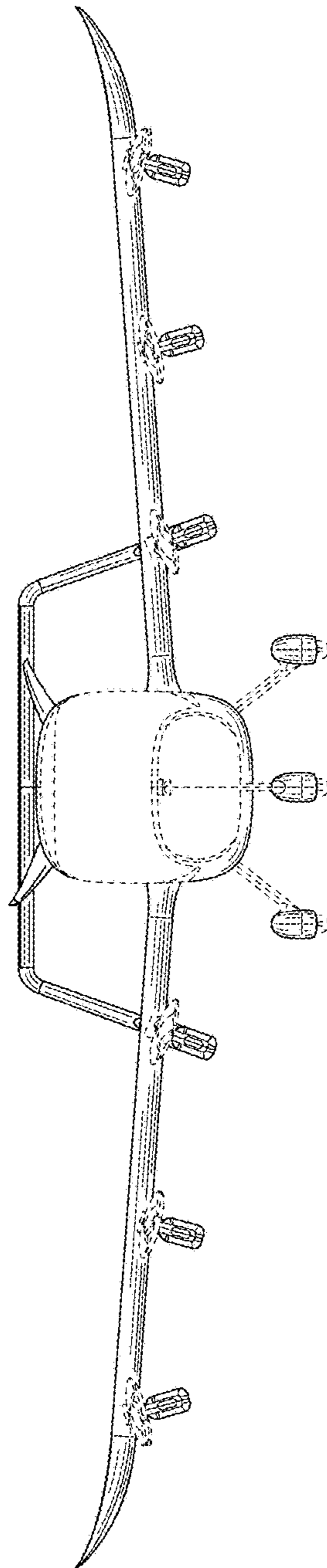


FIG. 2

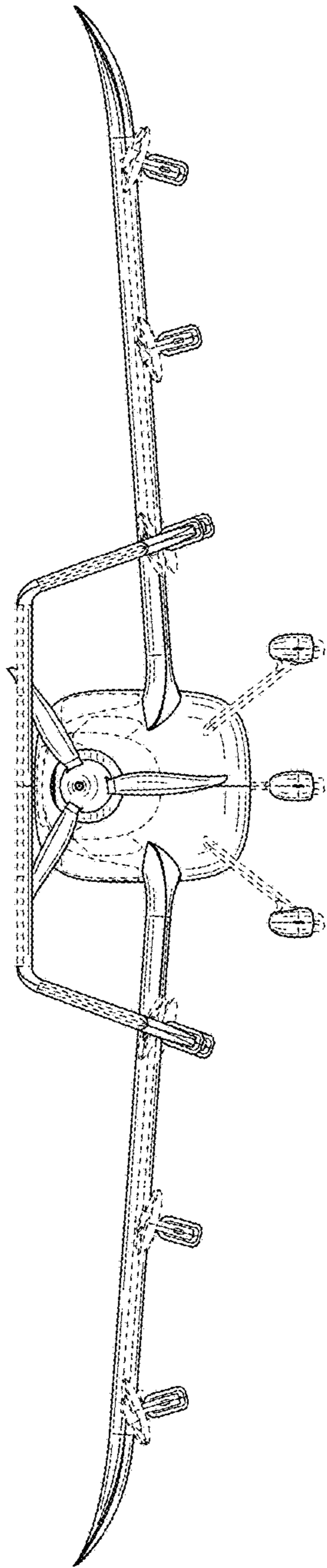


FIG. 3

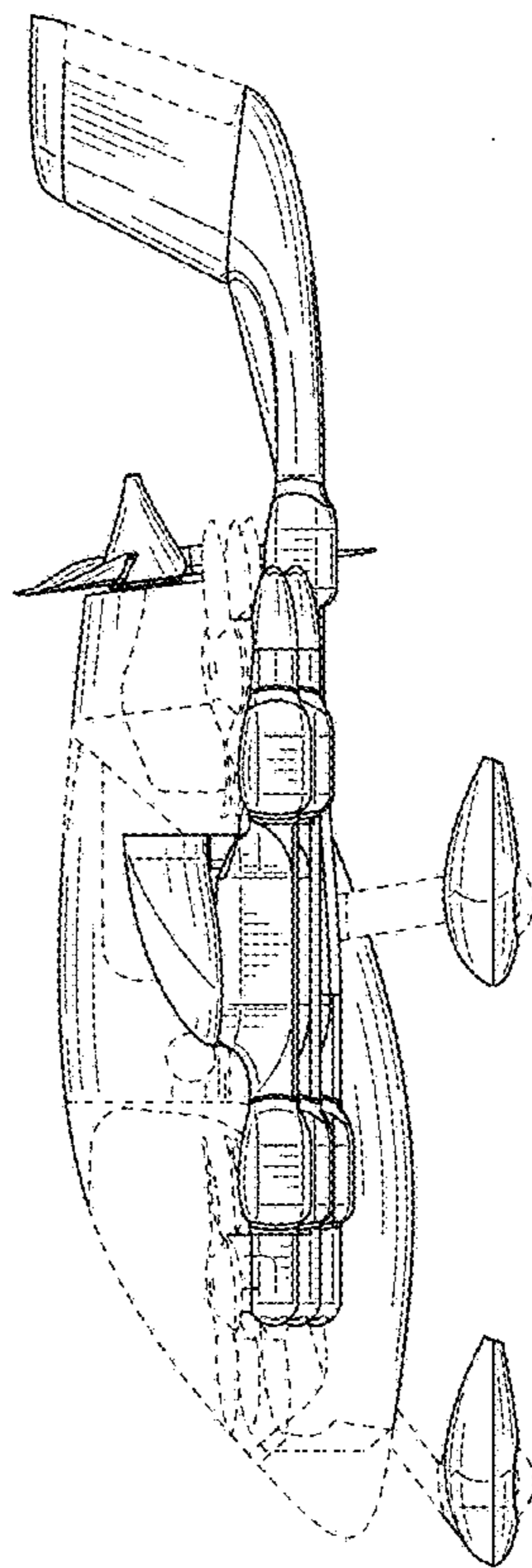


FIG. 4

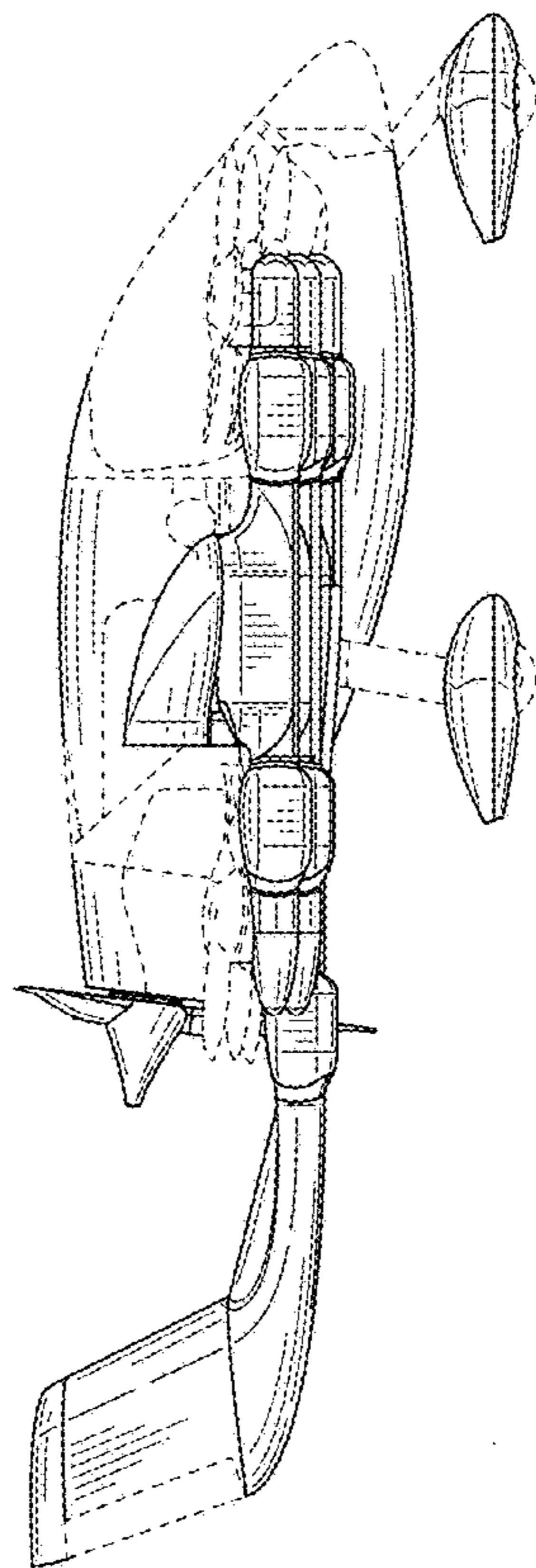


FIG. 5

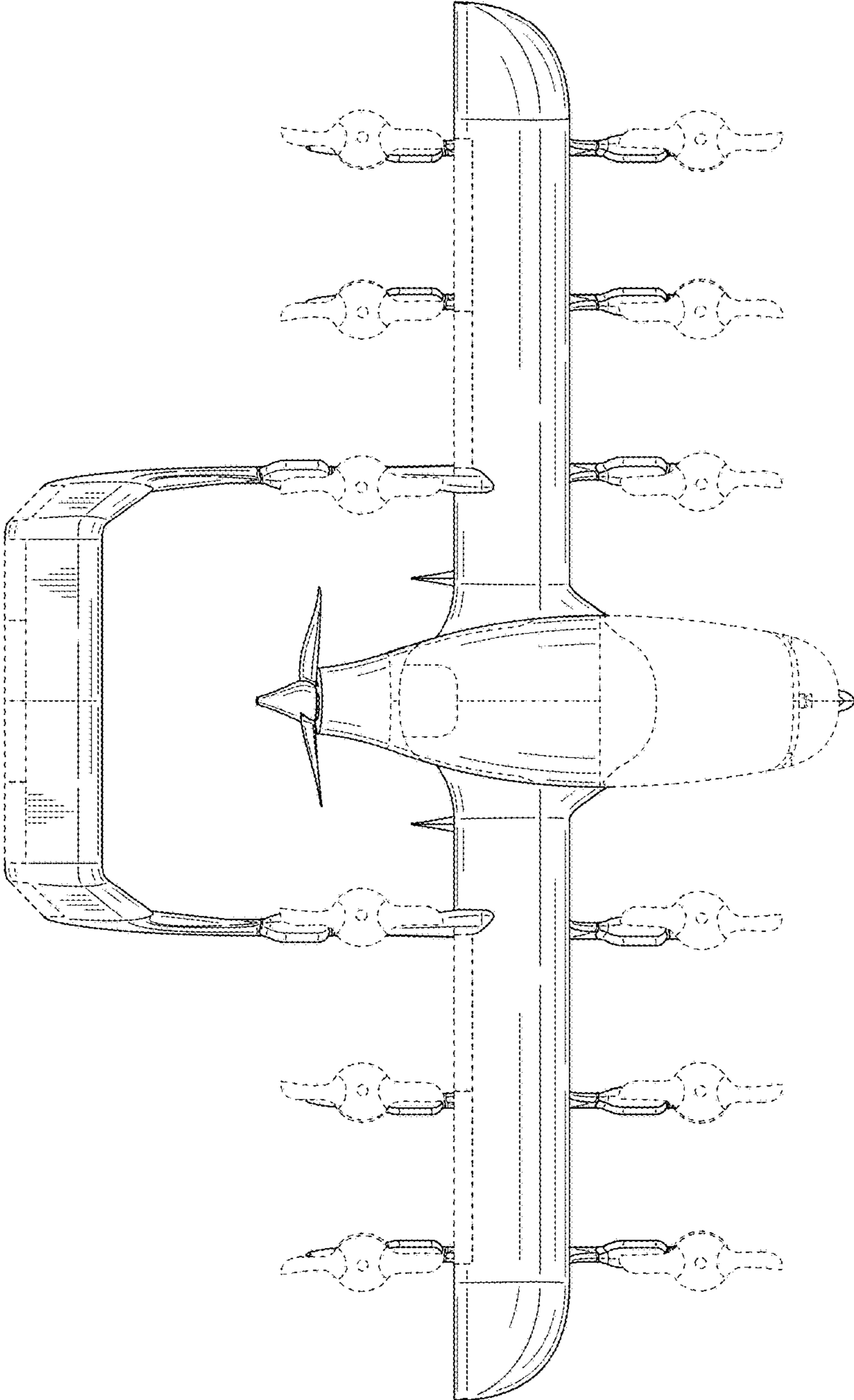


FIG. 6

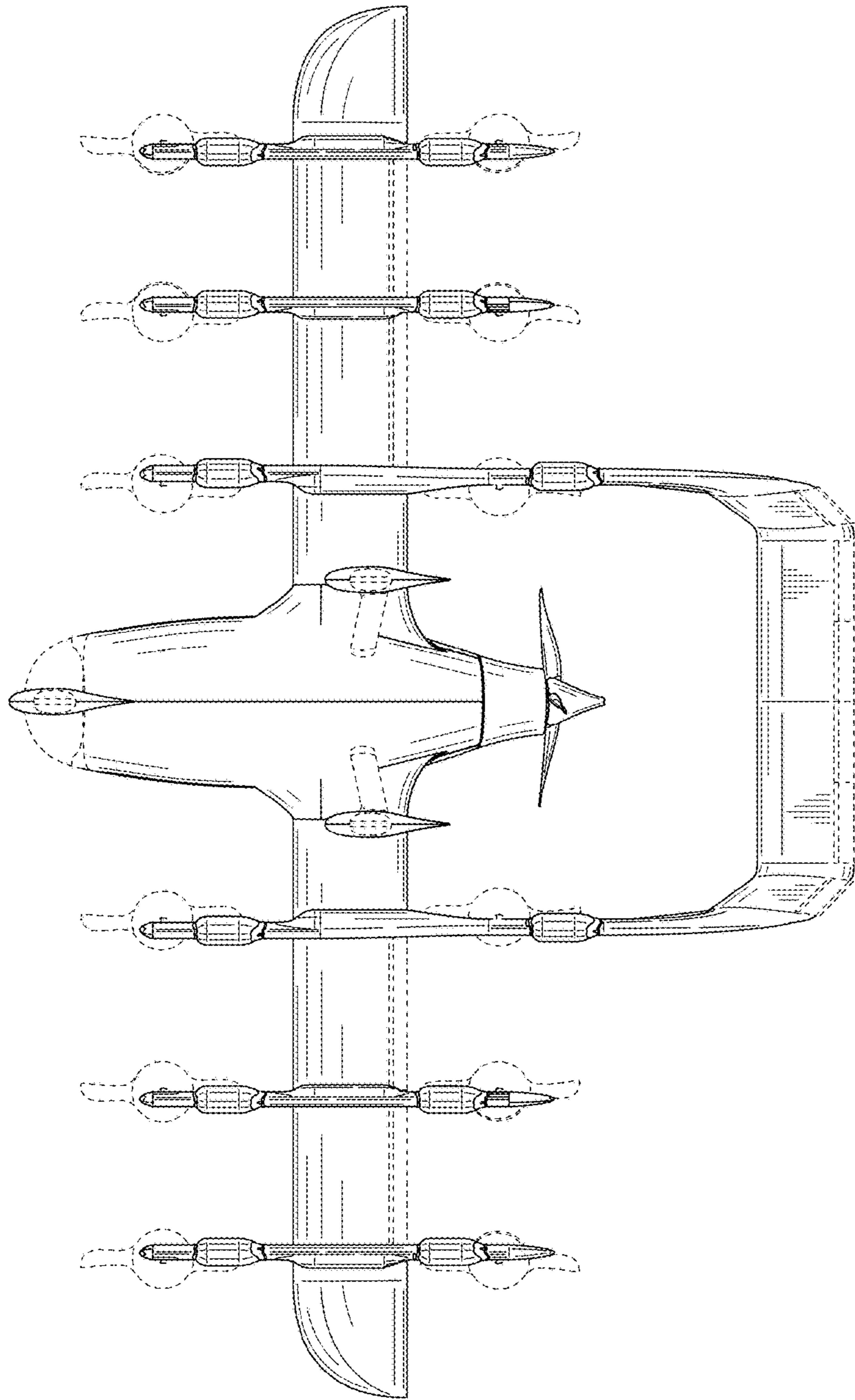


FIG. 7