



US00D843304S

(12) **United States Design Patent** (10) **Patent No.:** **US D843,304 S**
MacAndrew et al. (45) **Date of Patent:** **** Mar. 19, 2019**

(54) **TAIL SECTION OF FLYING CAR**

(71) Applicant: **AEROMOBIL R&D, S. R. O.**,
Mestská Cast Podunajské Biskupice
(SK)

(72) Inventors: **Kenneth Douglas Alexander MacAndrew**, Bystrica (SK); **William Simon Rooms**, Bratislava (SK); **Tomás Urik**, Sastin-Straze (SK); **Adam Danko**, Stupava (SK); **Alan Roach**, Oslo (NO)

(73) Assignee: **AEROMOBIL R&D, S. R. O.**,
Mestská cast Podunajské Biskupice
(SK)

(**) Term: **15 Years**

(21) Appl. No.: **35/503,550**

(22) Filed: **Apr. 25, 2017**

(80) **Hague Agreement Data**

Int. Filing Date: **Apr. 25, 2017**
 Int. Reg. No.: **DM/097344**
 Int. Reg. Date: **Apr. 25, 2017**
 Int. Reg. Pub. Date: **Aug. 25, 2017**

(30) **Foreign Application Priority Data**

Oct. 25, 2016 (EM) 003434125

(51) **LOC (11) Cl.** **12-07**

(52) **U.S. Cl.**
USPC **D12/319**

(58) **Field of Classification Search**
USPC D12/16.1, 319–322, 324–327, 330,
D12/333–345; D21/430, 436, 437,
D21/441–449, 451
CPC . B60F 5/02; B64C 27/14; B64C 27/08; B64C
37/00
See application file for complete search history.

(56) **References Cited**

U.S. PATENT DOCUMENTS

3,090,581	A *	5/1963	Einarsson	B64C 37/00 244/12.1
D462,046	S *	8/2002	Fong	D12/319
D489,315	S *	5/2004	Dauvergne	D12/319
D493,411	S *	7/2004	Fong	D12/319
D498,201	S *	11/2004	Moller	D12/319
D543,928	S *	6/2007	Sanders, Jr.	B64C 27/12 D12/319
D583,293	S *	12/2008	Frost	D12/319
D697,019	S *	1/2014	Friesel	D12/319
D709,430	S *	7/2014	Schwaiger	D12/16.1
2011/0042507	A1 *	2/2011	Seiford, Sr.	B60F 5/02 244/2
2016/0243910	A1 *	8/2016	Hu	B60F 5/02
2017/0072755	A1 *	3/2017	Zhou	B64C 29/0075
2017/0240270	A1 *	8/2017	Nam	B64C 21/04

(Continued)

Primary Examiner — Darlington Ly
 (74) *Attorney, Agent, or Firm* — Finnegan, Henderson, Farabow, Garrett & Dunner LLP

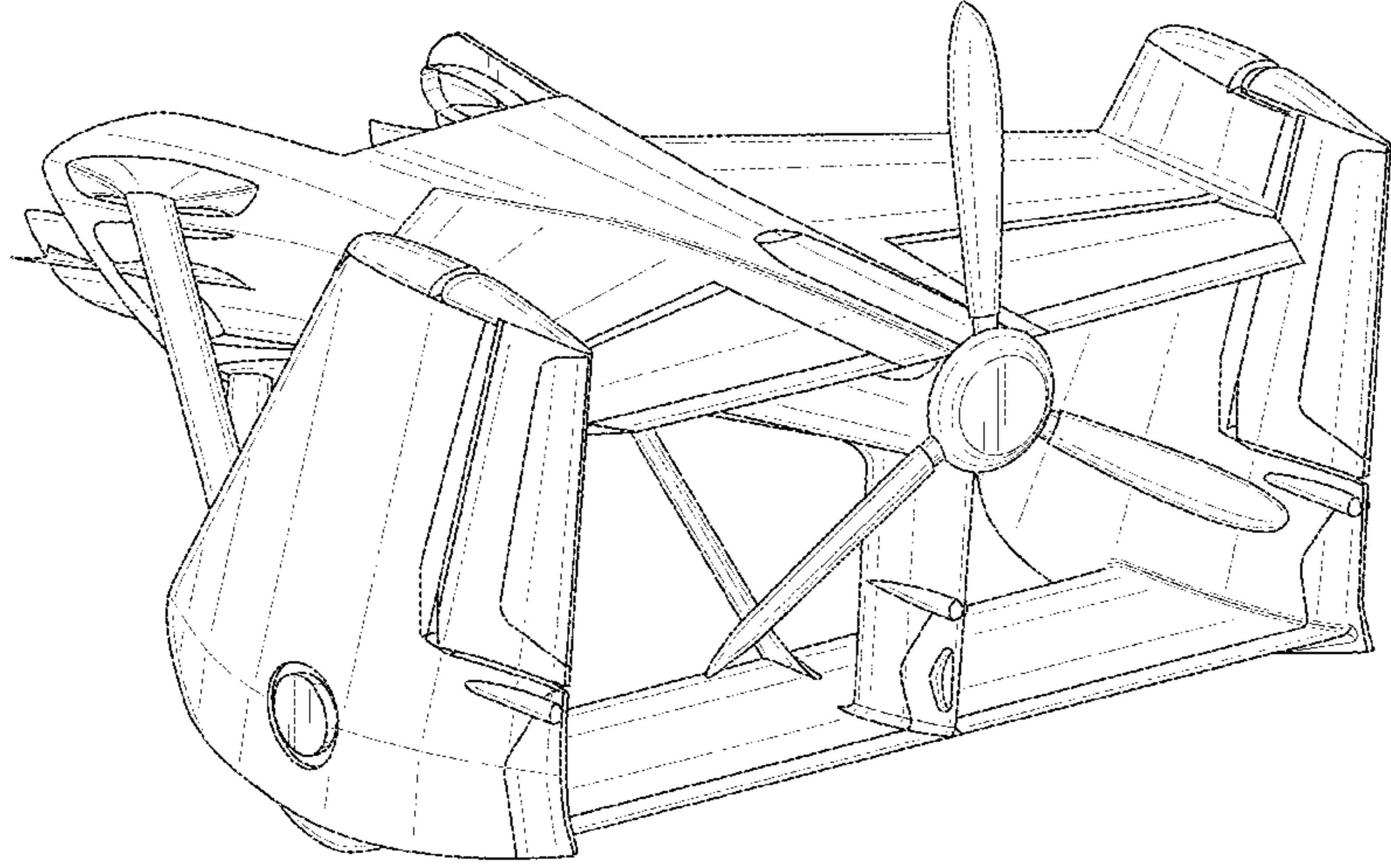
(57) **CLAIM**

The ornamental design for a tail section of flying car, as shown and described.

DESCRIPTION

1.1 is a top, rear, and left side perspective view of a tail section of a flying car showing our new design;
 1.2 is a bottom plan view thereof;
 1.3 is a left side elevation view thereof;
 1.4 is a top, rear, and left side perspective view thereof wherein the propeller blades are in a folded configuration;
 1.5 is a bottom plan view thereof wherein the propeller blades are in a folded configuration; and
 1.6 is a left side elevation view thereof wherein the propeller blades are in a folded configuration.

1 Claim, 6 Drawing Sheets



(56)

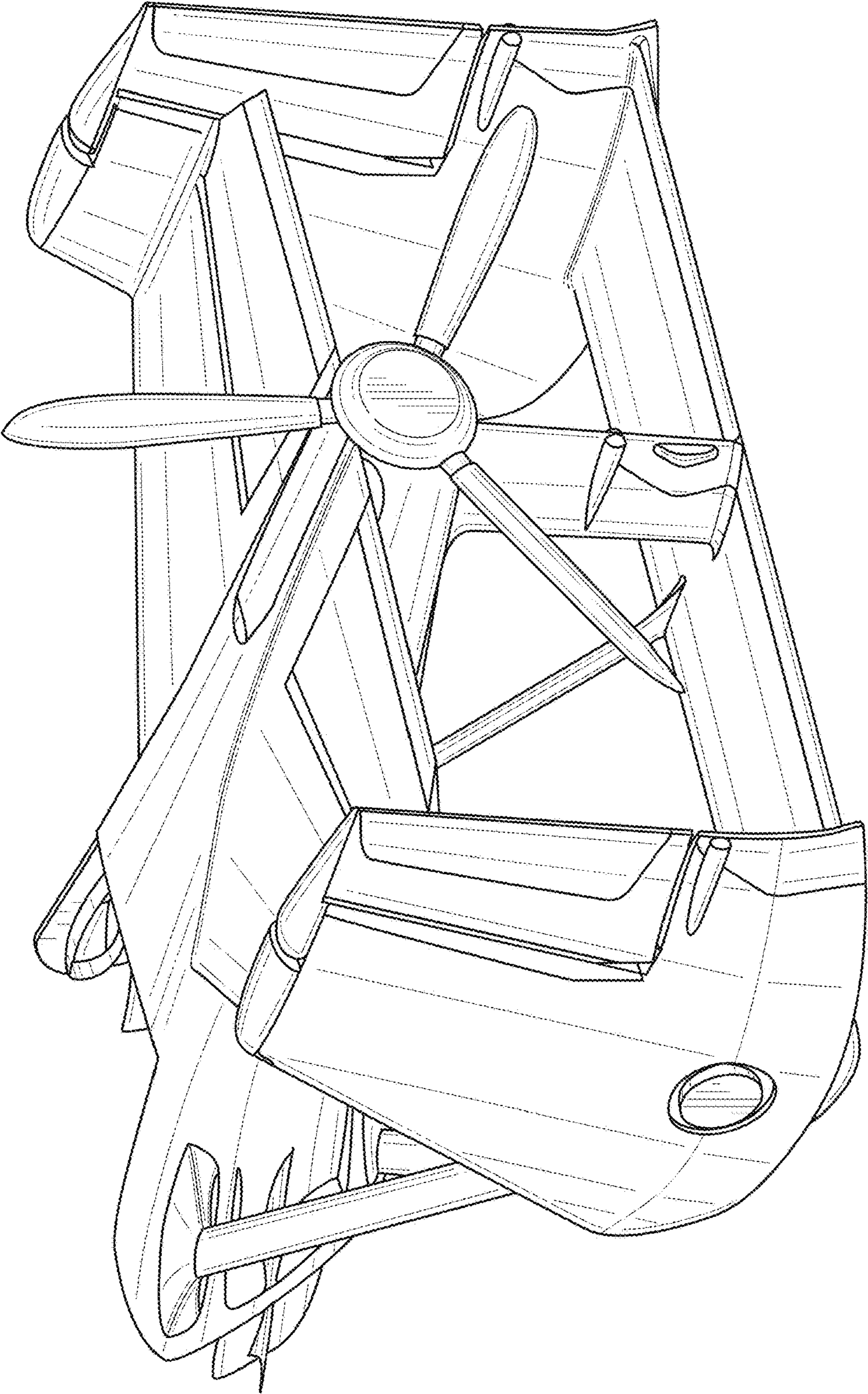
References Cited

U.S. PATENT DOCUMENTS

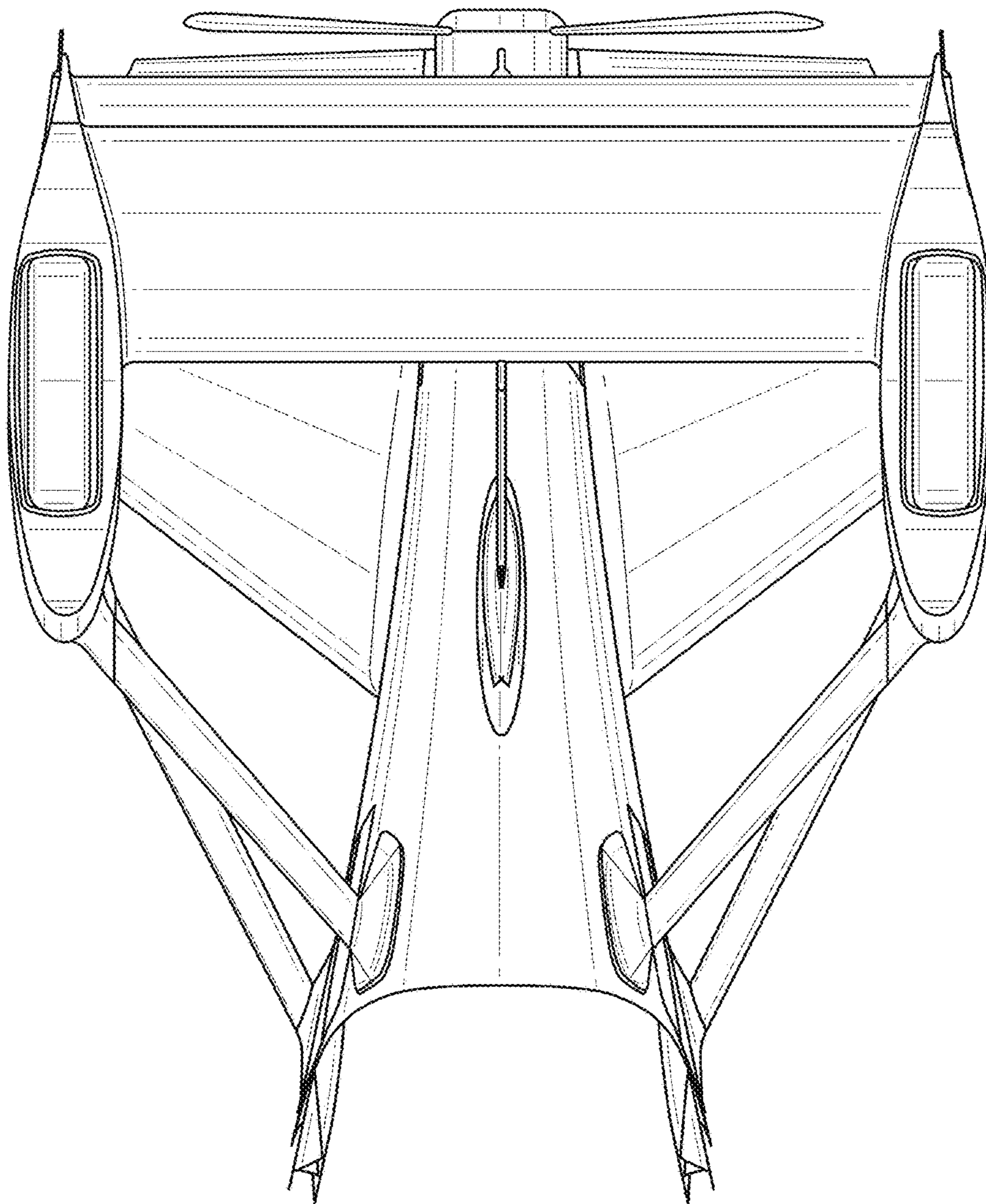
2018/0056743 A1* 3/2018 Zhou B60F 5/02
2018/0065435 A1* 3/2018 Barot B60F 5/02

* cited by examiner

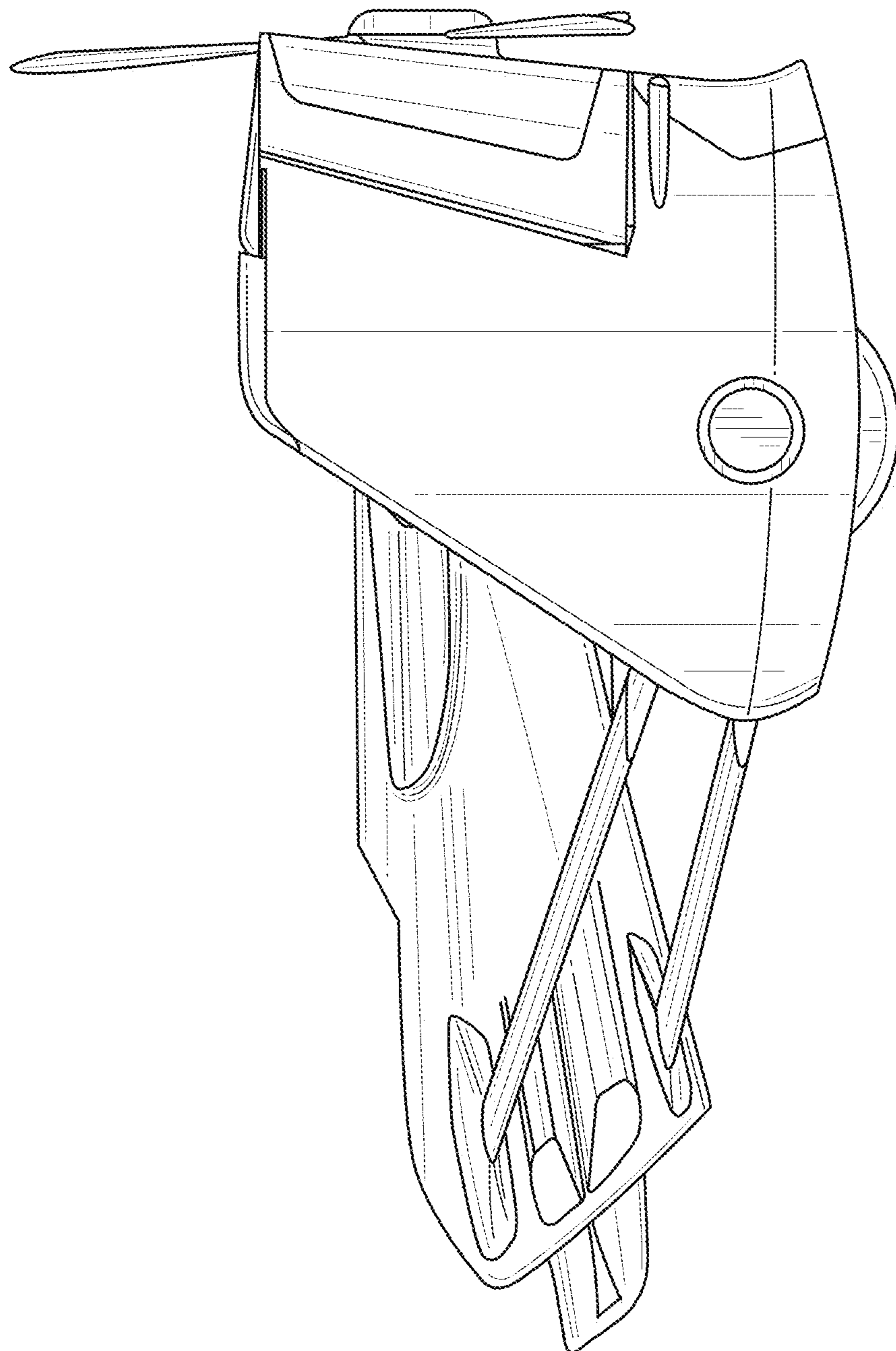
1.1



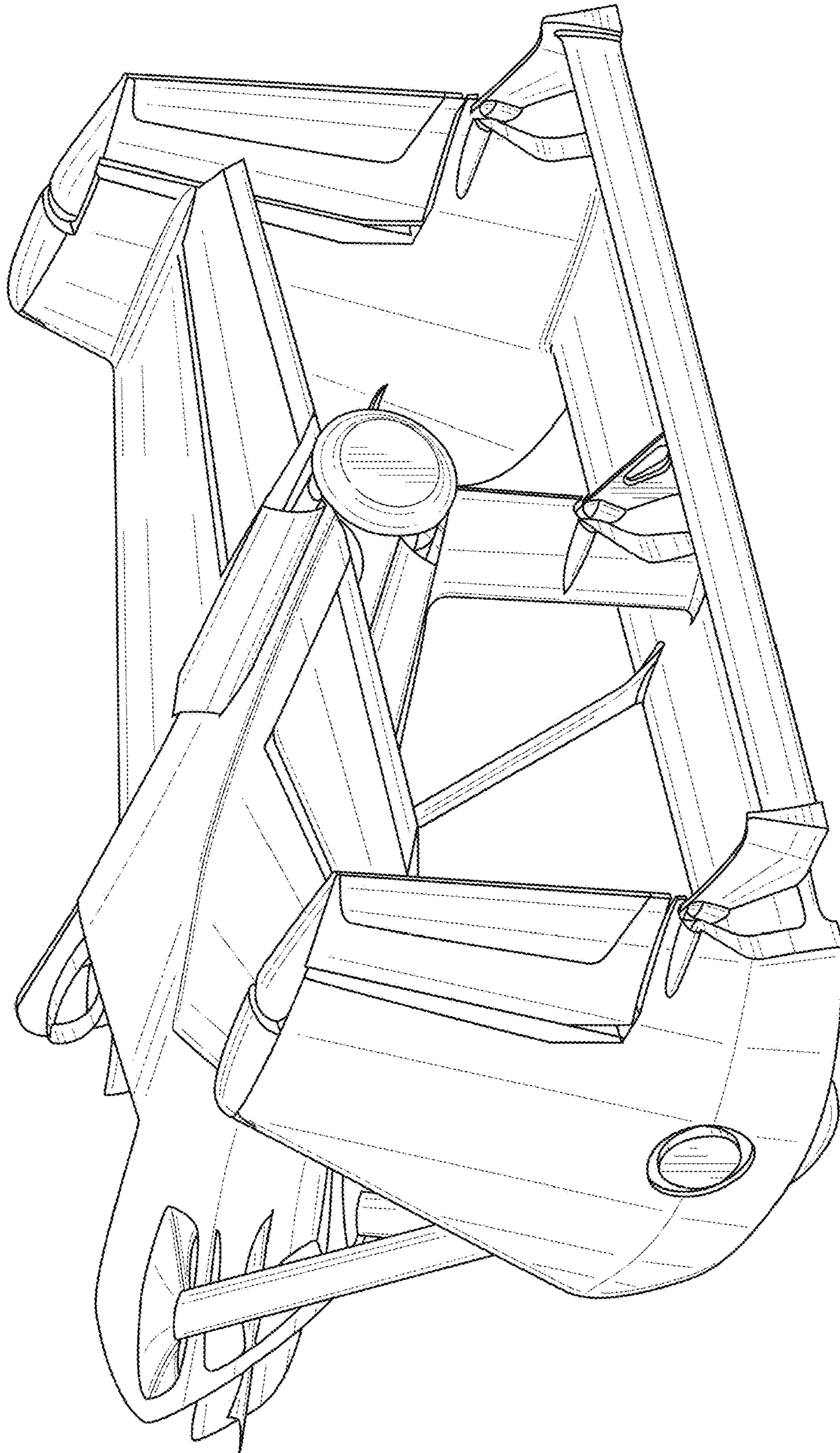
1.2



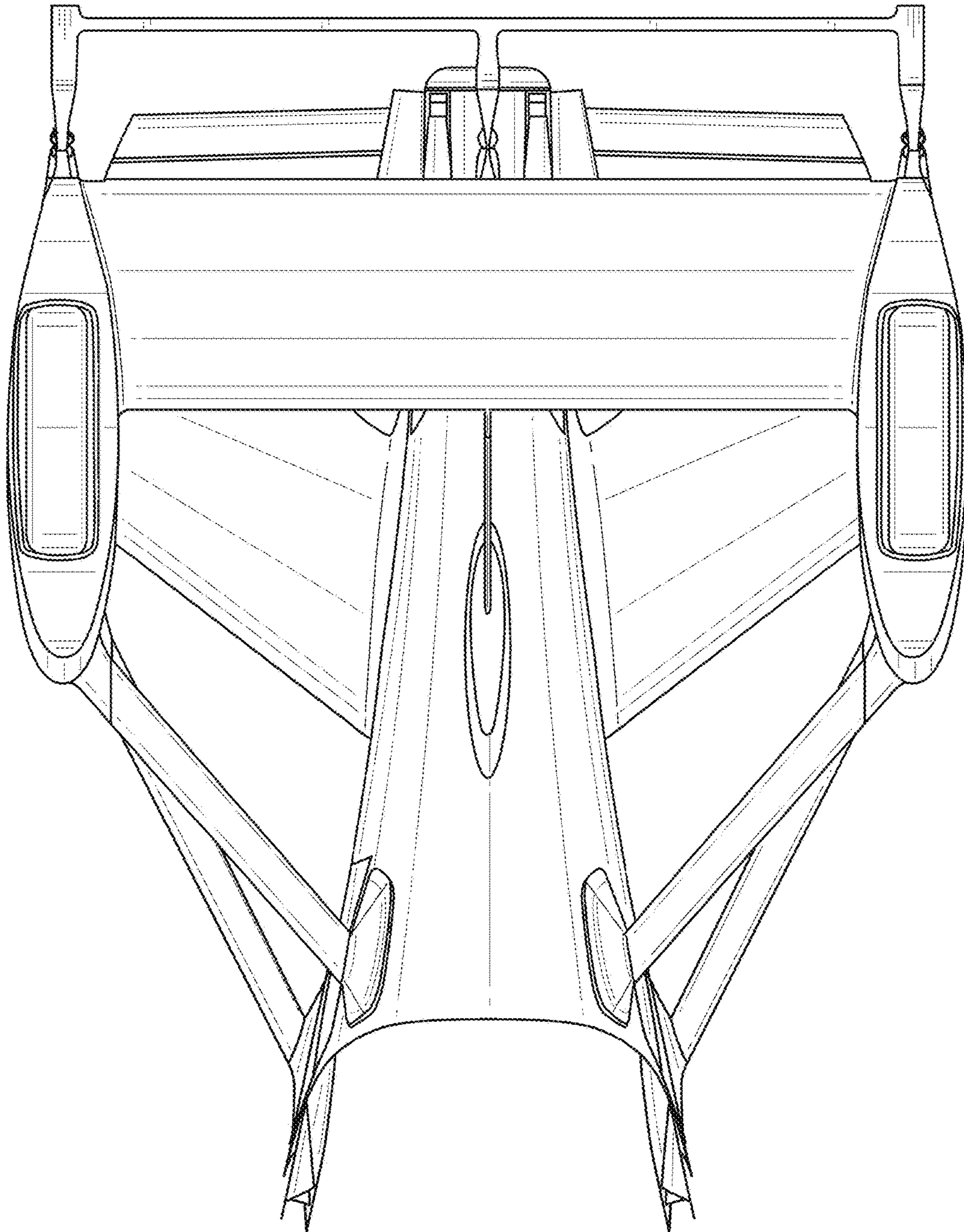
1.3



1.4



1.5



1.6

