



US00D843303S

(12) **United States Design Patent** (10) **Patent No.:** **US D843,303 S**
Leason et al. (45) **Date of Patent:** **** Mar. 19, 2019**

(54) **HYDROFOIL BOARD**
(71) Applicant: **MHL Custom, Inc.**, Isabela, PR (US)
(72) Inventors: **Nicholas Leason**, Aguadilla, PR (US);
Michael Leason, Aguadilla, PR (US);
Douglas V. Poscich, N. Stonington, CT (US)
(**) Term: **15 Years**

2,812,736 A 11/1957 Fry
2,815,518 A 12/1957 Kuehn
2,840,832 A 7/1958 Fried
2,891,259 A 6/1959 Perry
2,931,332 A 4/1960 Hebrank
(Continued)

FOREIGN PATENT DOCUMENTS

CH 591358 A5 9/1977
CN 202264871 U 6/2012
(Continued)

(21) Appl. No.: **29/570,471**

(22) Filed: **Jul. 8, 2016**

(51) **LOC (11) Cl.** **12-06**

(52) **U.S. Cl.**
USPC **D12/309**

(58) **Field of Classification Search**
USPC D12/300, 309, 317, 318; D21/769, 771,
D21/778
CPC B63B 35/7923; B63B 35/7926; B63B
35/793; B63B 35/79; B63B 35/7943;
B63B 1/24

See application file for complete search history.

(56) **References Cited**

U.S. PATENT DOCUMENTS

293,133 A 2/1884 Applegate
322,712 A 7/1885 Harris
326,241 A 9/1885 Preston
374,713 A 12/1887 Smith
427,435 A 5/1890 Manville
497,158 A 5/1893 Allen
506,237 A 10/1893 Kinsman et al.
619,281 A 2/1899 Cornish
670,263 A 3/1901 Whiton
704,790 A 7/1902 Gillinder et al.
714,428 A 11/1902 Wirth
723,235 A 3/1903 Brachhausen
773,155 A 10/1904 O'neill
2,110,812 A 3/1938 James
2,451,781 A 10/1948 Steele
2,748,400 A 6/1956 James

OTHER PUBLICATIONS

“U.S. Appl. No. 15/064,521, Notice of Allowance dated Nov. 2, 2016”, 10 pgs.

(Continued)

Primary Examiner — Cynthia M. Chin
(74) *Attorney, Agent, or Firm* — Eugenio J. Torres-Oyola;
Victor M. Rodriguez-Reyes; Rafael Rodriguez-Muriel

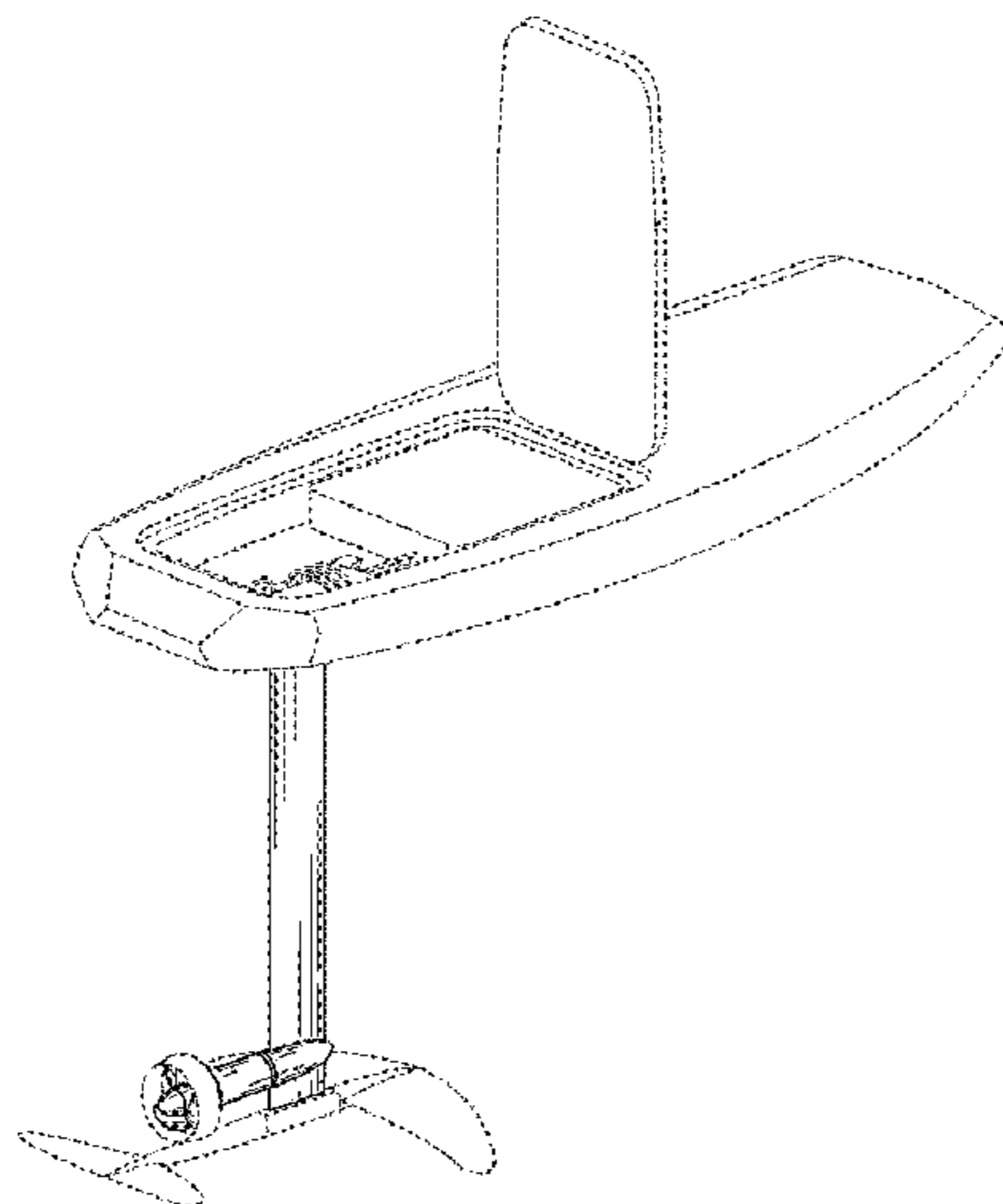
(57) **CLAIM**

The ornamental design for a hydrofoil board, as shown and described.

DESCRIPTION

FIG. 1 is a perspective view of a hydrofoil board;
FIG. 2 is a back view thereof;
FIG. 3 is a front view thereof;
FIG. 4 is a left view thereof;
FIG. 5 is a right view thereof;
FIG. 6 is a top view thereof;
FIG. 7 is a bottom view thereof; and,
FIG. 8 is an alternate perspective view thereof.
The broken lines shown in the drawings represent portions of the hydrofoil board that form no part of the claimed design.

1 Claim, 6 Drawing Sheets



(56)

References Cited

U.S. PATENT DOCUMENTS

3,019,760 A 2/1962 Berliner
 3,105,249 A 10/1963 Palmore
 3,150,632 A 9/1964 Charles
 3,164,119 A 1/1965 Emmanuel et al.
 3,213,822 A 10/1965 Michael
 3,227,123 A 1/1966 Voigt
 3,254,622 A 6/1966 Bramson
 3,262,413 A 7/1966 Douglas
 3,265,027 A 8/1966 Brown et al.
 3,294,055 A 12/1966 Mcguire
 3,324,822 A 6/1967 Carter, III
 3,340,845 A 9/1967 Tyrack
 3,371,646 A 3/1968 Mela
 3,380,421 A 4/1968 Lstiburek
 3,405,677 A 10/1968 Smith
 3,456,613 A 7/1969 Smith
 3,536,025 A 10/1970 Tierney
 3,548,778 A 12/1970 Smagala-Romanoff
 3,747,138 A 7/1973 Morgan
 3,882,815 A 5/1975 Bennett
 3,964,417 A 6/1976 Williams
 RE28,955 E 9/1976 Stanberry, Sr. et al.
 4,020,782 A 5/1977 Gleason
 4,274,357 A 6/1981 Dawson
 4,508,046 A 4/1985 Coulter et al.
 4,971,586 A 11/1990 Walsh
 5,017,166 A 5/1991 Chang
 5,062,378 A 11/1991 Bateman
 5,471,942 A 12/1995 Miller et al.
 5,809,926 A 9/1998 Kelsey
 5,947,788 A 9/1999 Derrah
 6,019,059 A 2/2000 Kelsey
 6,142,840 A 11/2000 Efthymiou
 6,178,905 B1 1/2001 Dynes et al.
 6,183,333 B1 2/2001 Hall
 6,192,817 B1 2/2001 Dec
 6,311,631 B1 11/2001 Beecher
 6,409,560 B1 6/2002 Austin
 6,568,340 B2 5/2003 Dec et al.
 6,702,634 B2 3/2004 Jung
 6,901,872 B1 6/2005 Battle et al.
 7,047,901 B2 5/2006 Chen
 7,089,875 B2 8/2006 Kurze
 7,144,285 B1 12/2006 Hendricks
 7,207,282 B1 4/2007 Ruan et al.
 7,232,350 B1 6/2007 Krah
 7,232,355 B2 6/2007 Woolley
 7,298,056 B2 11/2007 Gizara
 7,731,555 B2 6/2010 Railey
 7,832,349 B2 11/2010 Dansie
 7,854,637 B2 12/2010 Schultz et al.
 7,930,985 B2 4/2011 Walworth et al.
 7,963,814 B2 6/2011 Grimmeisen
 8,398,446 B2 * 3/2013 Railey B63B 35/79
 441/74
 8,636,552 B2 1/2014 Braden
 8,702,458 B2 4/2014 Preston
 8,870,614 B2 10/2014 Railey
 8,979,604 B1 * 3/2015 Woolley B63B 35/7906
 114/253
 9,060,385 B1 6/2015 Manning
 9,085,343 B2 * 7/2015 Modica B63B 1/24
 9,359,044 B2 6/2016 Langelaan
 9,586,659 B2 3/2017 Langelaan
 9,789,935 B1 * 10/2017 Aguera B63B 1/26
 9,944,361 B2 * 4/2018 Cho B63B 35/7943
 2001/0007235 A1 7/2001 Dynes et al.
 2001/0042498 A1 11/2001 Burnham
 2002/0056408 A1 5/2002 Dec et al.
 2002/0072285 A1 6/2002 Jung
 2002/0124783 A1 9/2002 Dynes
 2003/0167991 A1 9/2003 Namanny
 2004/0139905 A1 7/2004 Chen
 2005/0109258 A1 5/2005 Smith
 2006/0094310 A1 5/2006 Railey

2007/0046028 A1 3/2007 Gizara
 2007/0089657 A1 4/2007 Ruan et al.
 2007/0245943 A1 10/2007 Rice
 2007/0283865 A1 12/2007 Railey
 2008/0078316 A1 4/2008 Gizara
 2008/0168937 A1 7/2008 Ruan et al.
 2008/0173225 A1 7/2008 Proto
 2009/0165690 A1 7/2009 Walworth et al.
 2009/0221198 A1 9/2009 Townsend
 2010/0167605 A1 7/2010 Schultz et al.
 2010/0233920 A1 9/2010 Railey
 2010/0323568 A1 12/2010 Chambers
 2011/0003521 A1 1/2011 Roman
 2011/0056423 A1 3/2011 Railey
 2011/0111650 A1 * 5/2011 Braden B63B 35/7943
 440/6
 2011/0201238 A1 8/2011 Rott et al.
 2011/0212691 A1 9/2011 Rott et al.
 2011/0256518 A1 10/2011 Rott
 2012/0000409 A1 1/2012 Railey
 2012/0073486 A1 3/2012 Railey
 2012/0225598 A1 9/2012 Railey et al.
 2013/0059489 A1 3/2013 Vlock et al.
 2013/0104787 A1 5/2013 Roman
 2013/0239861 A1 9/2013 Gizara
 2014/0007802 A1 1/2014 Railey
 2014/0134900 A1 5/2014 Derrah
 2014/0349531 A1 11/2014 Mclelan
 2015/0011133 A1 1/2015 Vlock et al.
 2015/0064995 A1 3/2015 Woods et al.
 2015/0083034 A1 3/2015 Howes
 2015/0104985 A1 4/2015 Langelaan
 2015/0251734 A1 9/2015 Roman
 2016/0185430 A1 6/2016 Langelaan

FOREIGN PATENT DOCUMENTS

DE 3070662D1 6/1985
 DE 4100890 A1 7/1992
 DE 102004049615 A1 4/2006
 DE 202012012844 U1 2/2014
 DE 102013218735 A1 3/2015
 EP 2700571 A2 2/2014
 FR 2728863 A1 7/1996
 FR 2755090 A1 4/1998
 FR 2766154 A1 1/1999
 JP 2012025293 A 2/2012
 KR 1020140024816 A 3/2014
 WO WO-2006014085 A1 2/2006
 WO WO-2007088351 A1 8/2007
 WO WO-2011050410 A1 5/2011
 WO WO-2011075808 A1 6/2011
 WO WO-2011100654 A2 8/2011
 WO WO-2011130724 A2 10/2011
 WO WO-2012003333 A1 1/2012
 WO WO-2013173182 A1 11/2013
 WO WO-2013191501 A1 12/2013

OTHER PUBLICATIONS

“U.S. Appl. No. 15/429,535, Non Final Office Action dated Aug. 10, 2017”, 8 pgs.
 “U.S. Appl. No. 15/429,535, Preliminary Amendment filed Jun. 22, 2017”, 8 pgs.
 “U.S. Appl. No. 14/509,289, Examiner Interview Summary dated Nov. 18, 2015”, 3 pgs.
 “U.S. Appl. No. 14/509,289, Non Final Office Action dated Aug. 17, 2015”, 9 pgs.
 “U.S. Appl. No. 14/509,289, Notice of Allowance dated Apr. 26, 2016”, 9 pgs.
 “U.S. Appl. No. 14/509,289, Notice of Allowance dated Dec. 4, 2015”, 9 pgs.
 “U.S. Appl. No. 14/509,289, Preliminary Amendment filed Apr. 12, 2016”, 6 pgs.
 “U.S. Appl. No. 14/509,289, Response filed Nov. 16, 2015 to Non Final Office Action dated Aug. 17, 2015”, 8 pgs.

(56)

References Cited

OTHER PUBLICATIONS

“U.S. Appl. No. 15/064,521, Non Final Office Action dated May 23, 2016”, 7 pgs.

“U.S. Appl. No. 15/064,521, Response filed Sep. 22, 2016 to Non-Final Office Action dated May 23, 2016”, 7 pgs.

* cited by examiner

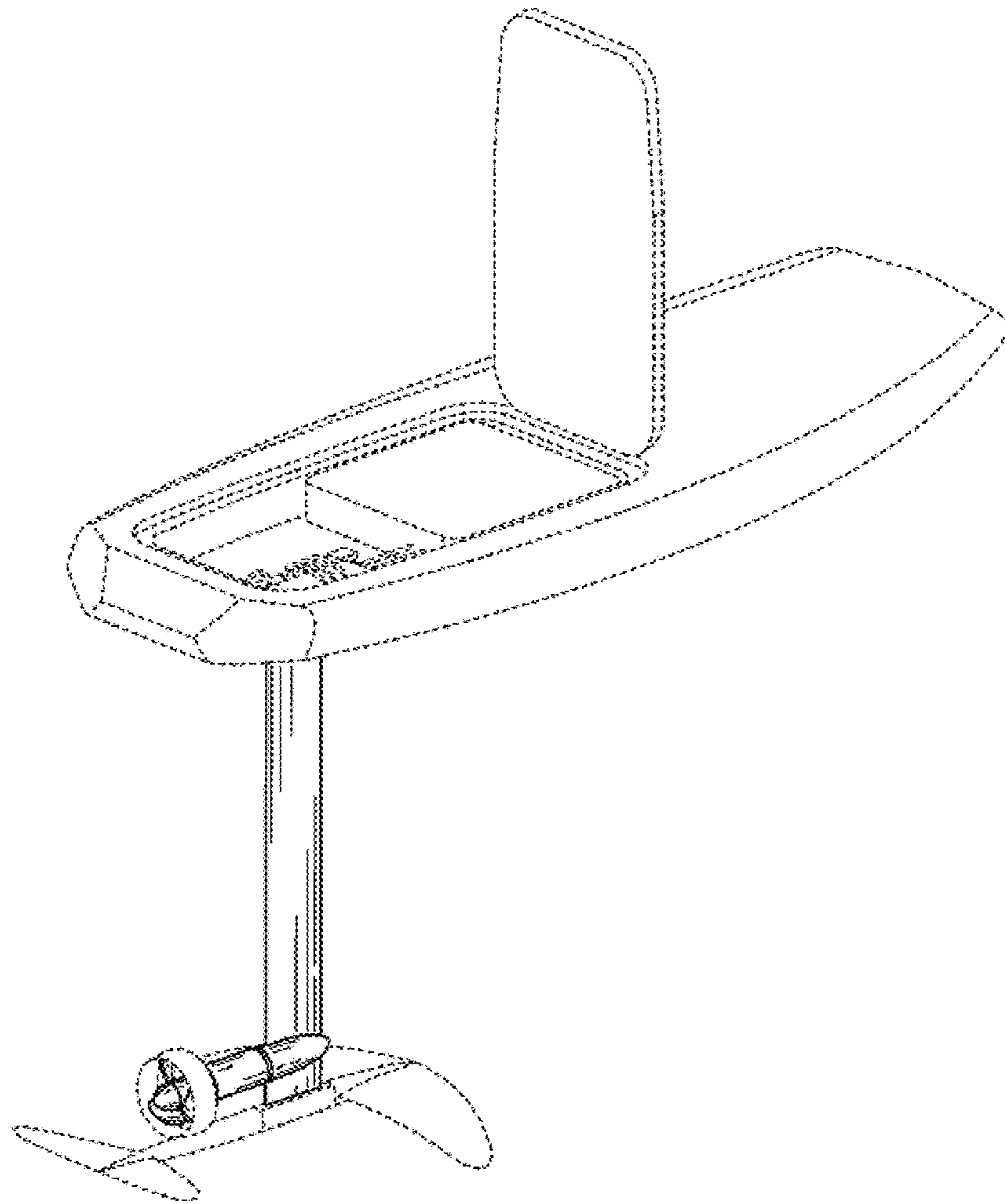


Fig. 1

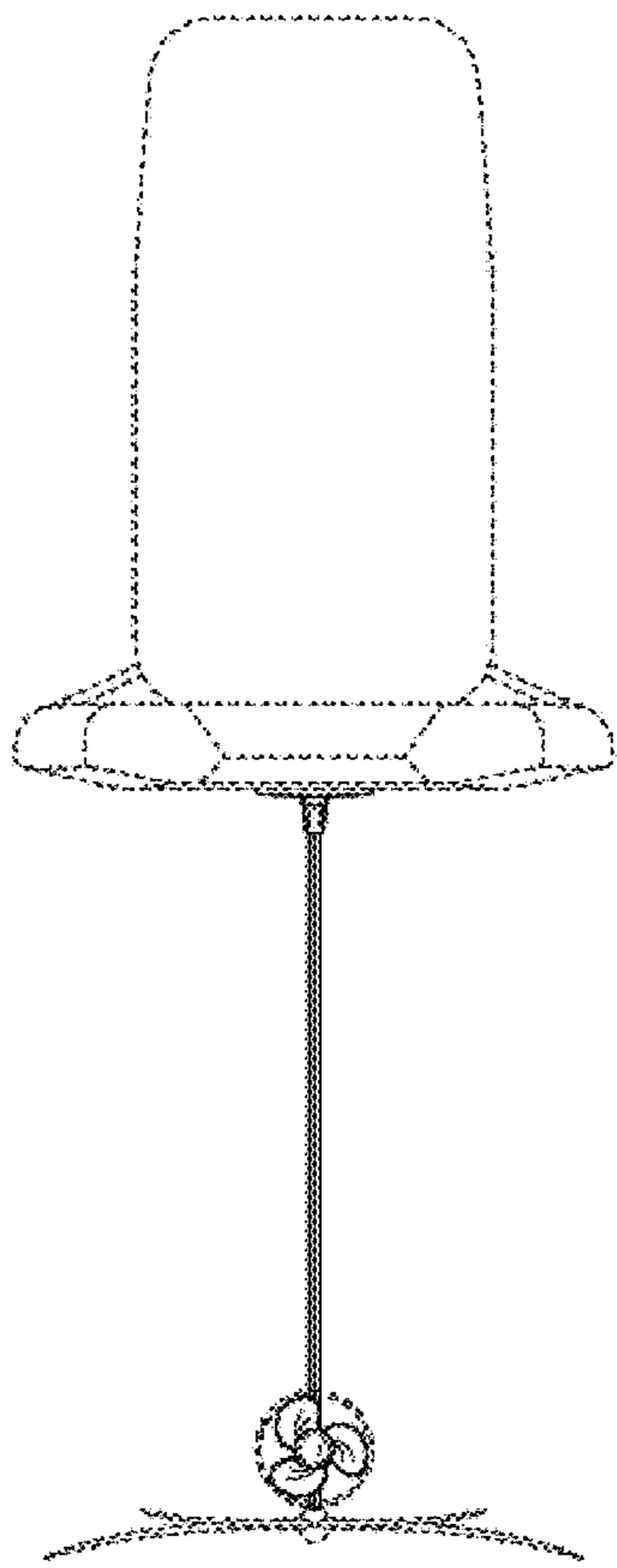


Fig. 2

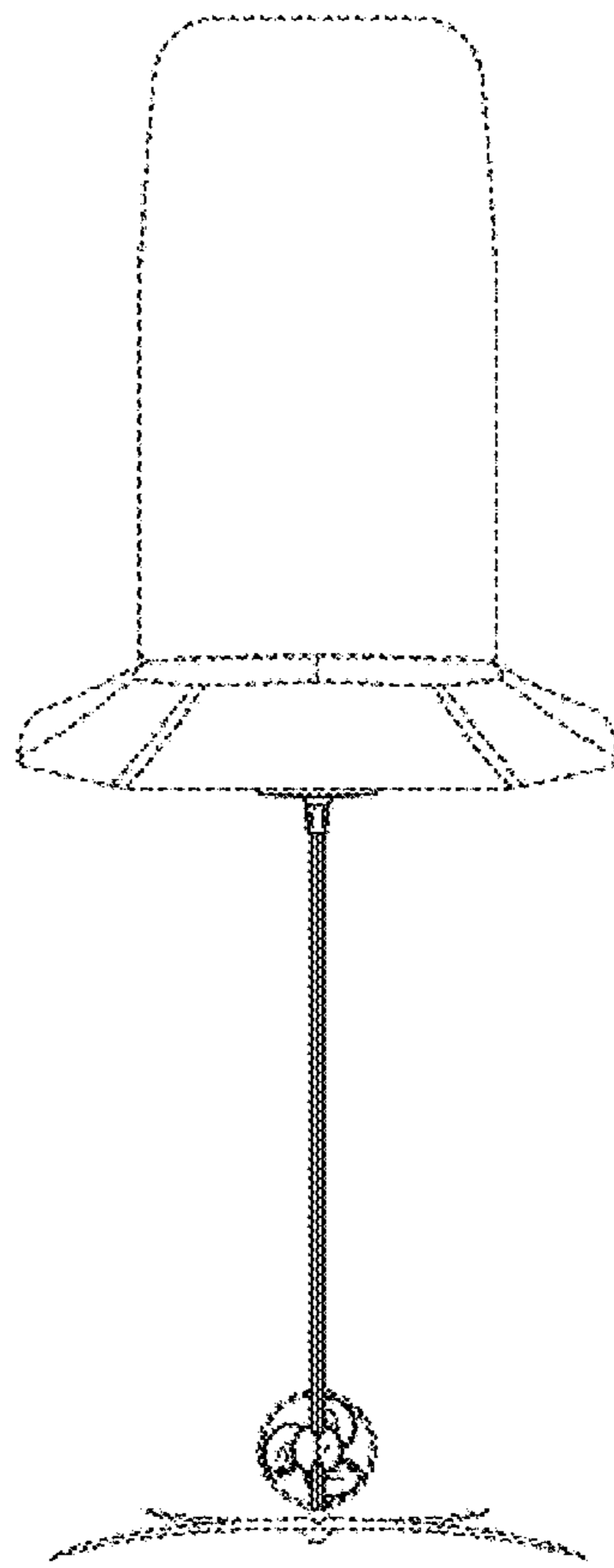


Fig. 3

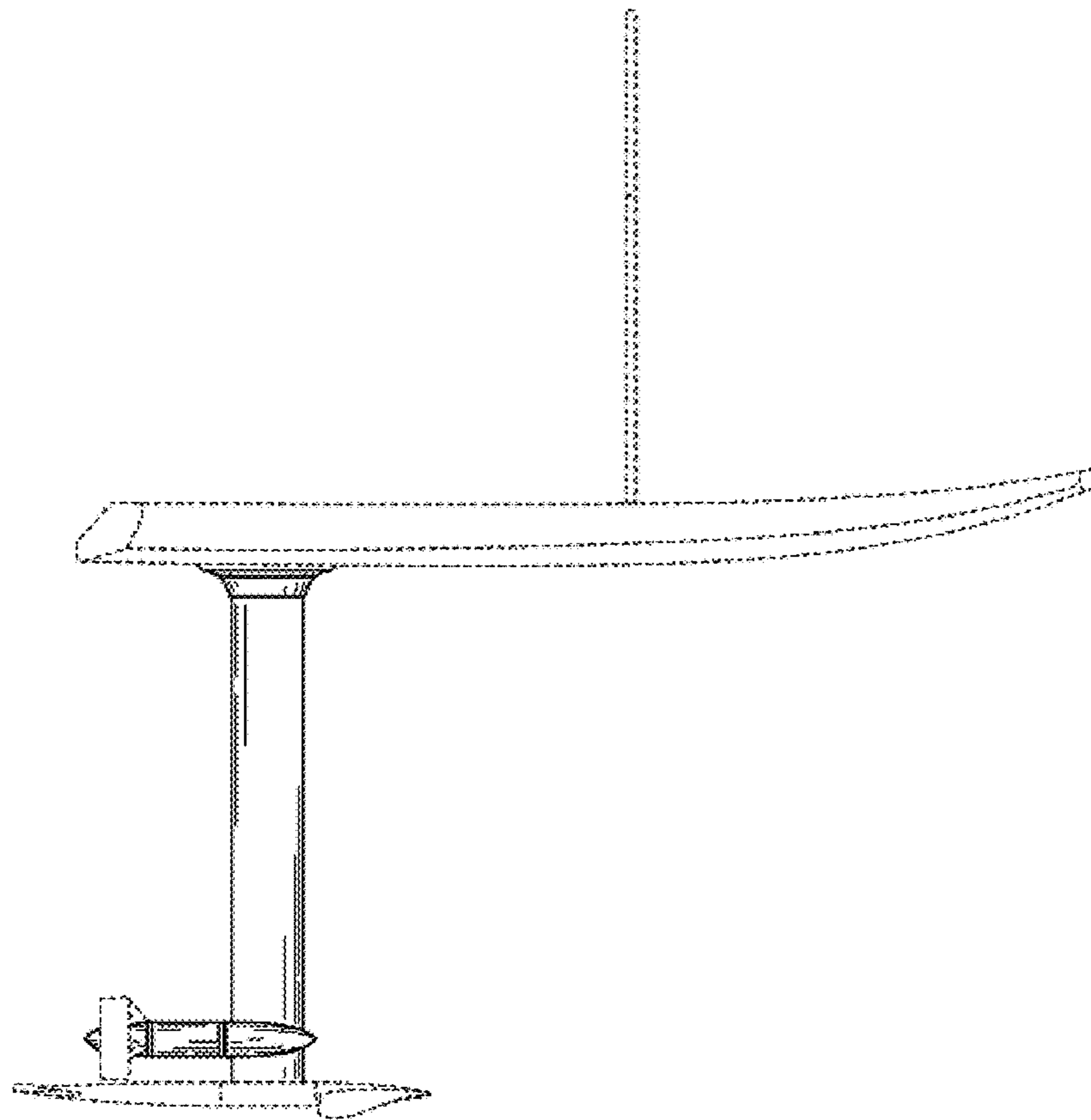


Fig. 4

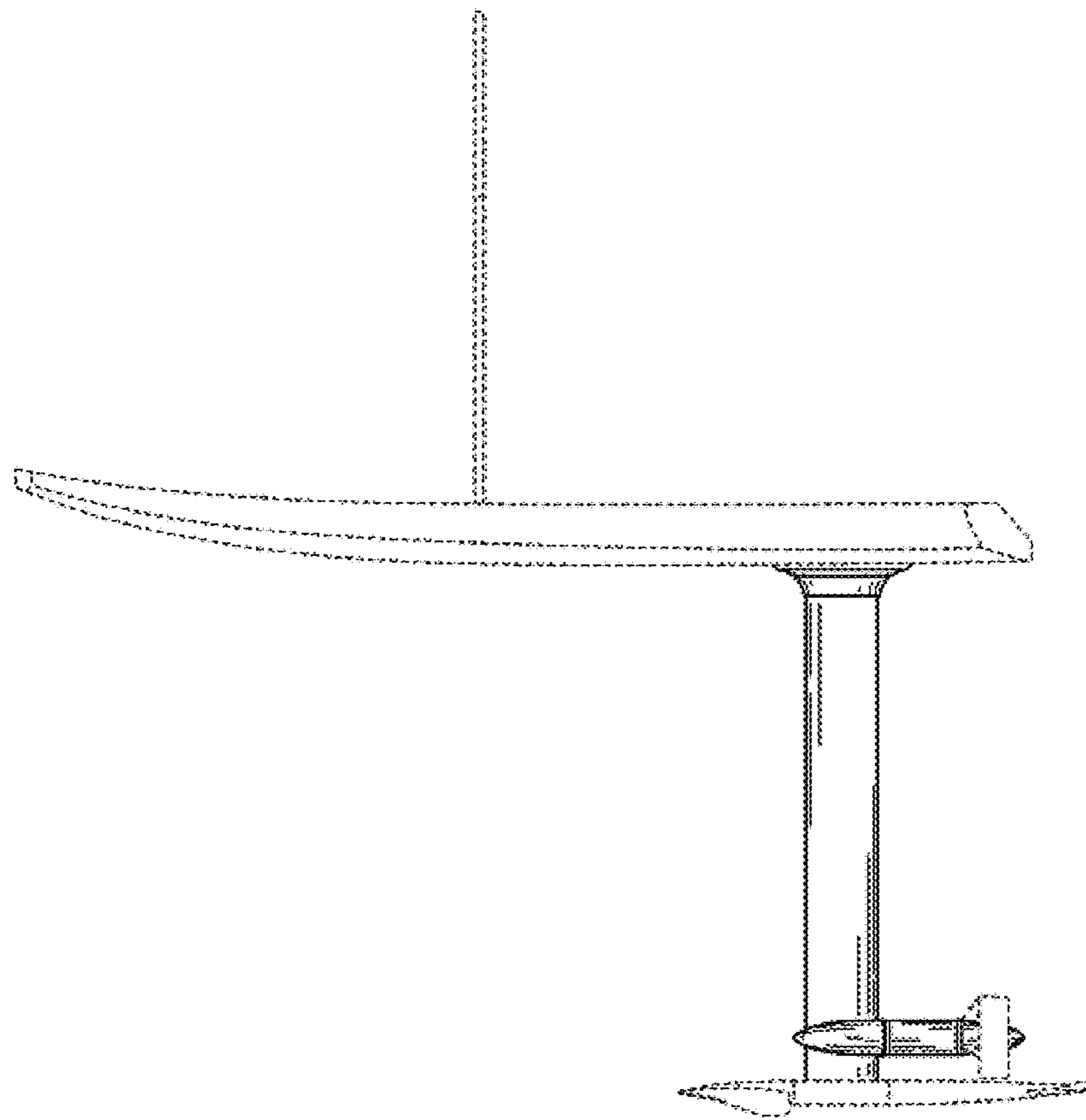


Fig. 5

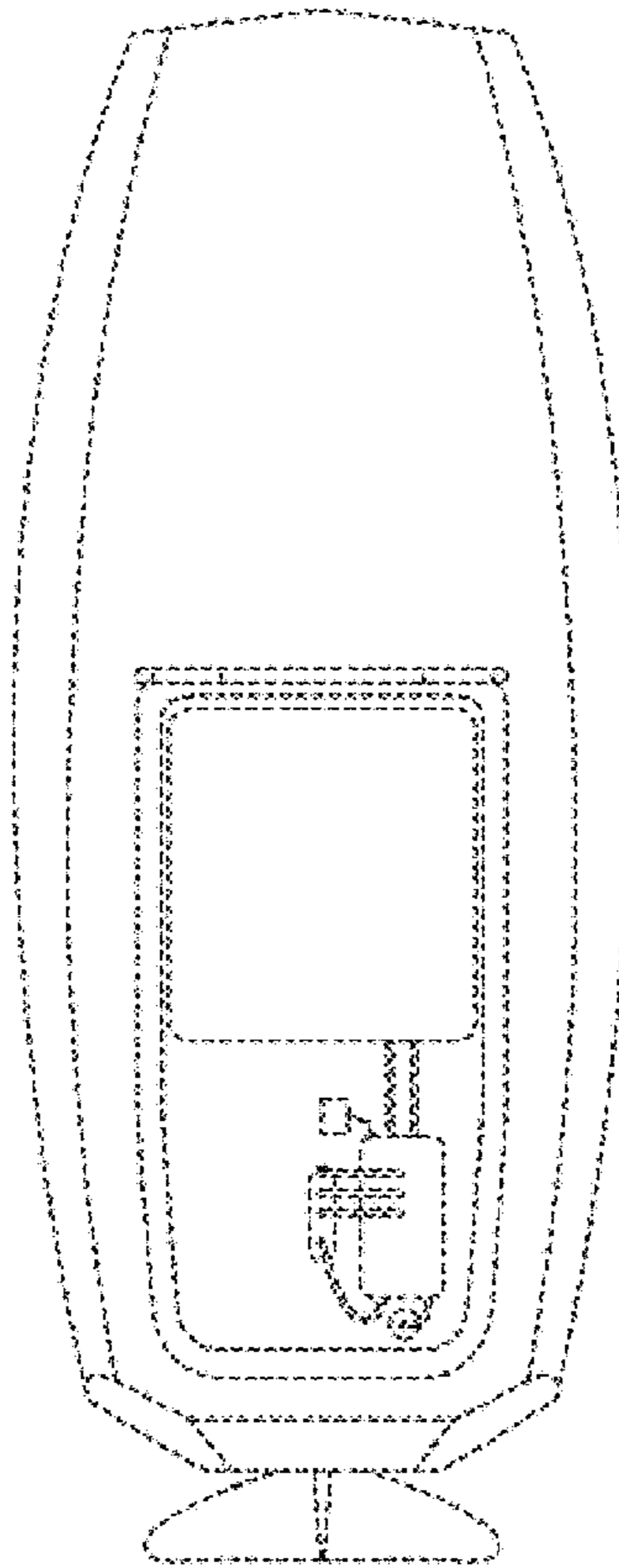


Fig. 6

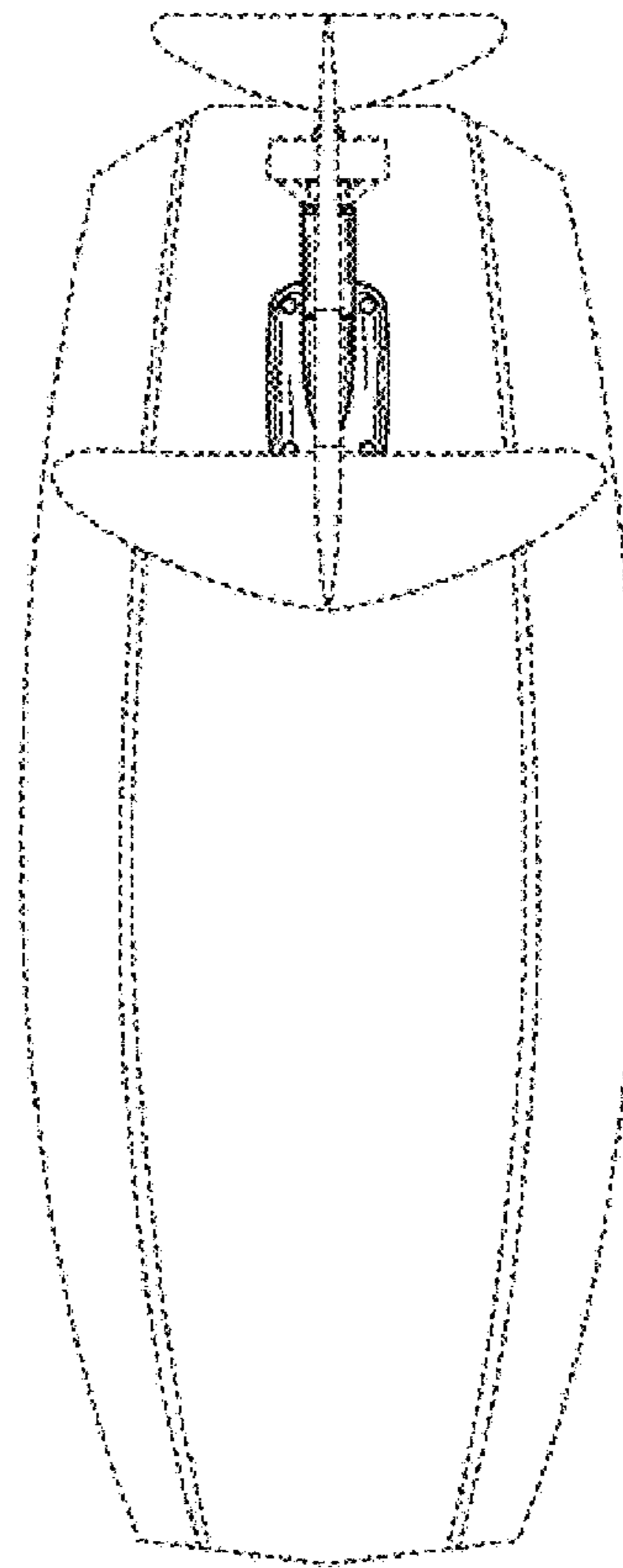


Fig. 7

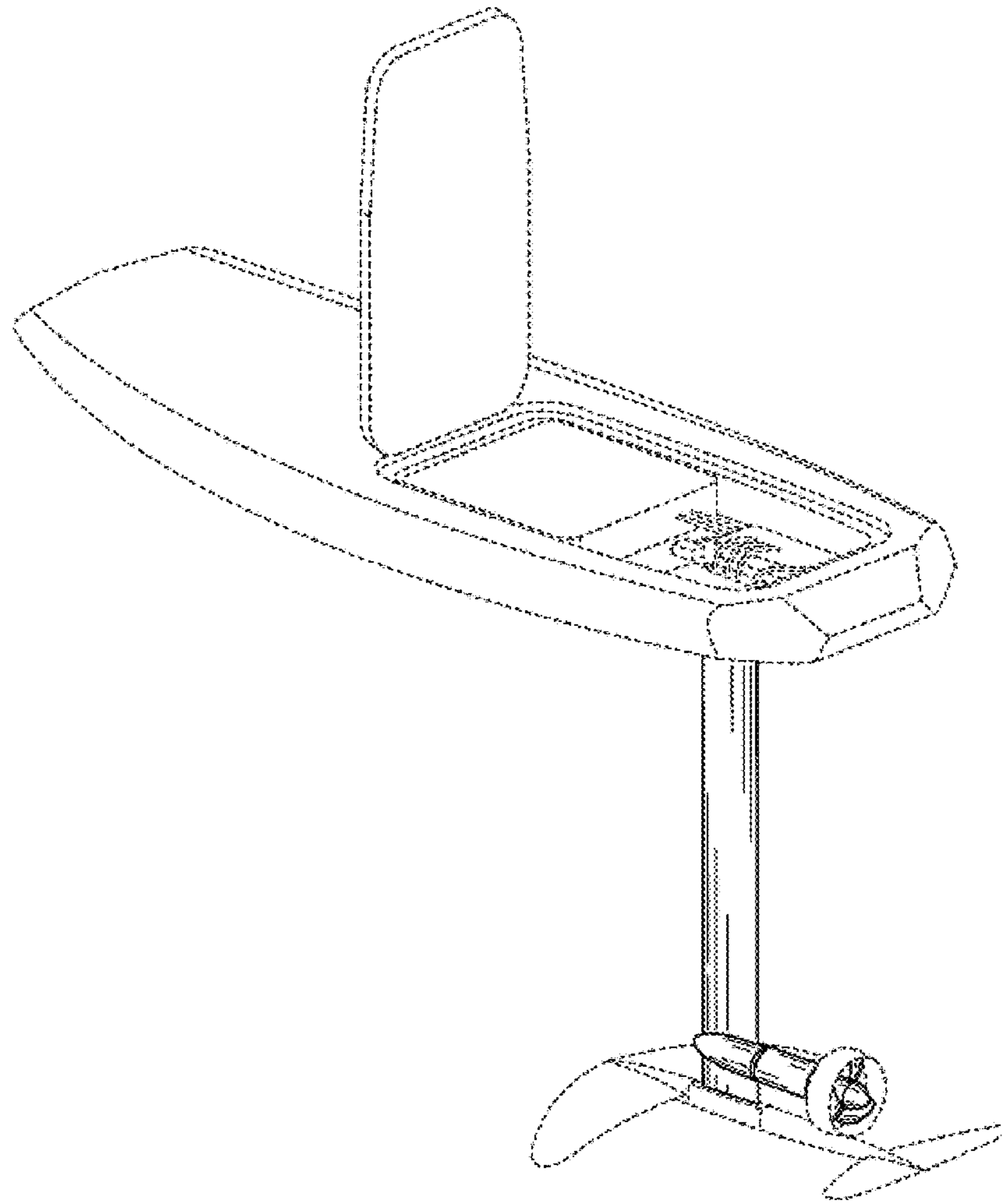


Fig. 8