



US00D843301S

(12) **United States Design Patent**
Hodges et al.

(10) **Patent No.:** **US D843,301 S**

(45) **Date of Patent:** **** Mar. 19, 2019**

(54) **VEHICLE WHEEL**

(71) Applicant: **Rolling Big Power**, City of Industry, CA (US)

(72) Inventors: **Frank Hodges**, City of Industry, CA (US); **Kelleigh Ash**, City of Industry, CA (US)

(73) Assignee: **Pilot Inc.**, City of Industry, CA (US)

(**) Term: **15 Years**

(21) Appl. No.: **29/623,958**

(22) Filed: **Oct. 27, 2017**

(51) **LOC (11) Cl.** **12-16**

(52) **U.S. Cl.**
USPC **D12/209**

(58) **Field of Classification Search**
USPC D12/204–213
CPC B60B 7/00; B60B 7/02; B60B 7/04; B60B 7/01; B60B 7/06; B60B 3/04; B60B 1/00; B60B 3/10; B60B 1/10; B60B 1/08; B60B 3/06; B60B 1/12; B60B 3/02
See application file for complete search history.

(56) **References Cited**

U.S. PATENT DOCUMENTS

D311,896 S * 11/1990 Mori D12/209
D455,701 S * 4/2002 McMath D12/209

D616,799 S * 6/2010 Zhao D12/209
D710,286 S * 8/2014 Yamaguchi D12/209
D759,566 S * 6/2016 Valencia Pollex D12/211
D778,798 S * 2/2017 Park D12/209
D781,763 S * 3/2017 Webber D12/209
D782,953 S * 4/2017 Imazato D12/209
D791,040 S * 7/2017 Umehara D12/209
D795,155 S * 8/2017 Valencia Pollex D12/211
D806,629 S * 1/2018 Bridan D12/211
D817,247 S * 5/2018 Valencia Pollex D12/209
D818,925 S * 5/2018 Sugiyama D12/209
D822,574 S * 7/2018 Rucigaj D12/209
D828,269 S * 9/2018 Kikuchi D12/209

* cited by examiner

Primary Examiner — Stacia A Cadmus

(74) *Attorney, Agent, or Firm* — Sheridan Ross P.C.

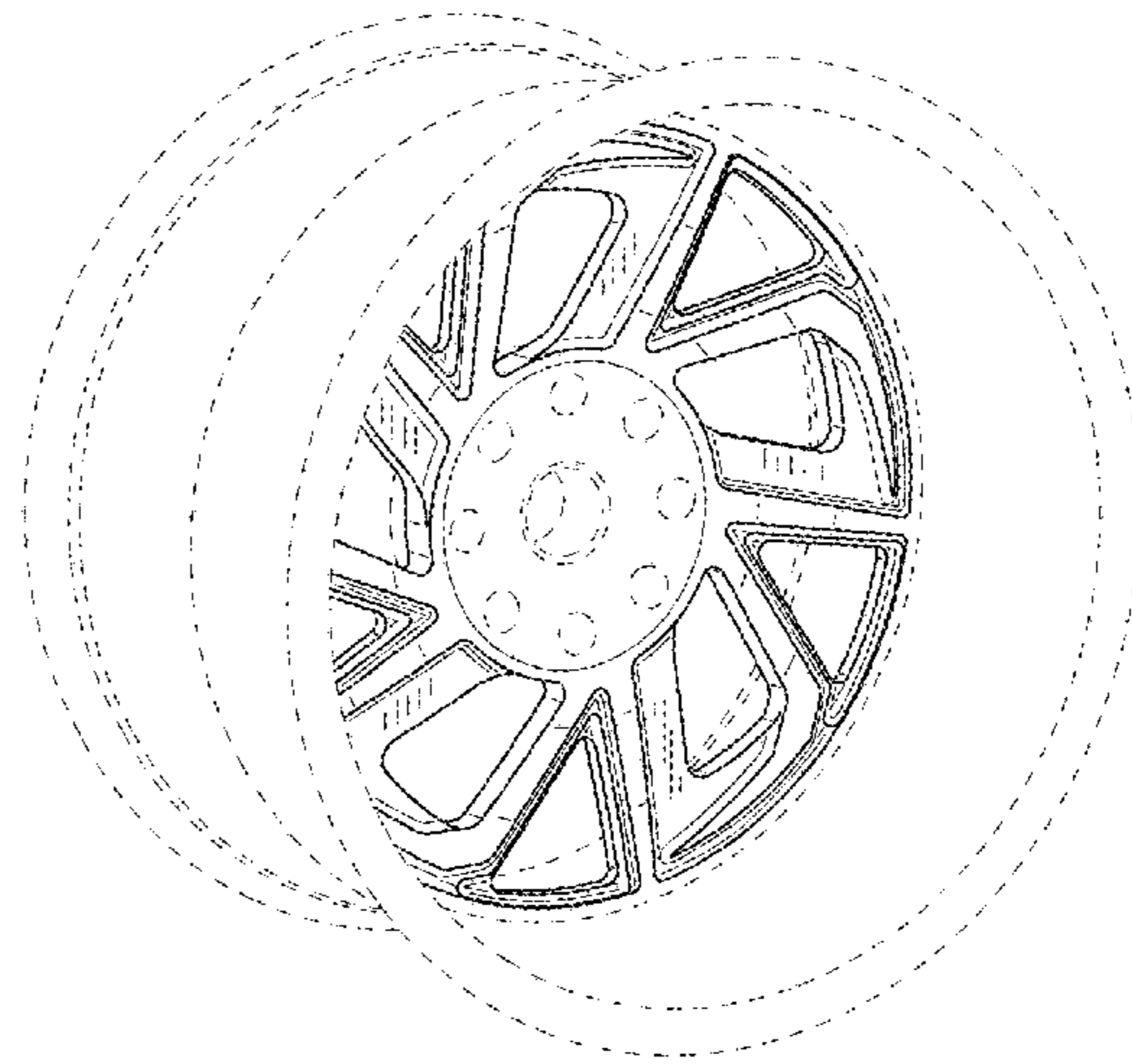
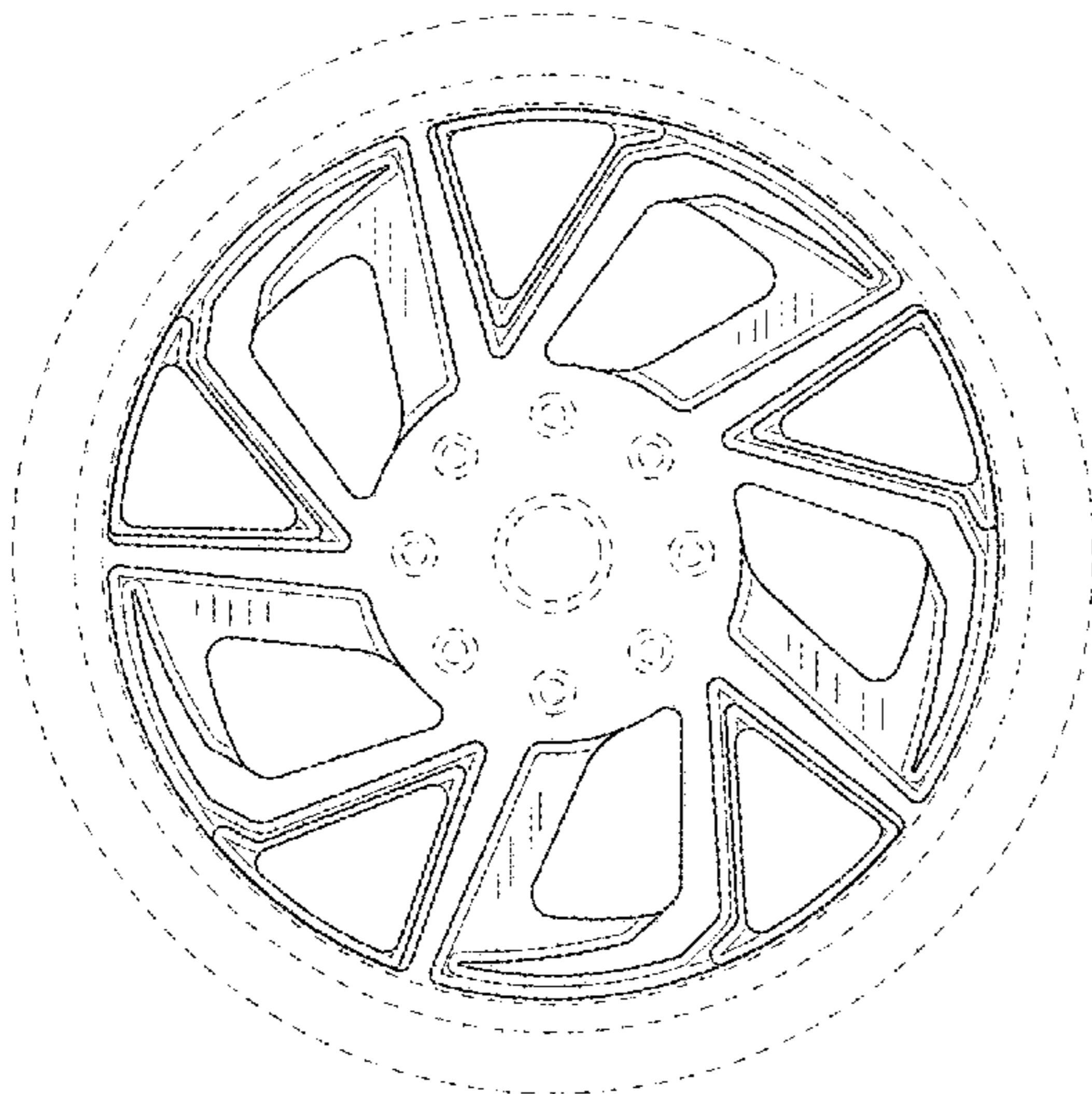
(57) **CLAIM**

The ornamental design for a vehicle wheel, as shown and described.

DESCRIPTION

FIG. 1 is a front view of a vehicle wheel showing our new design;
FIG. 2 is a front perspective view thereof; and,
FIG. 3 is a rear view thereof.
The broken lines show portions of the vehicle wheel which form no part of the claimed design.

1 Claim, 3 Drawing Sheets



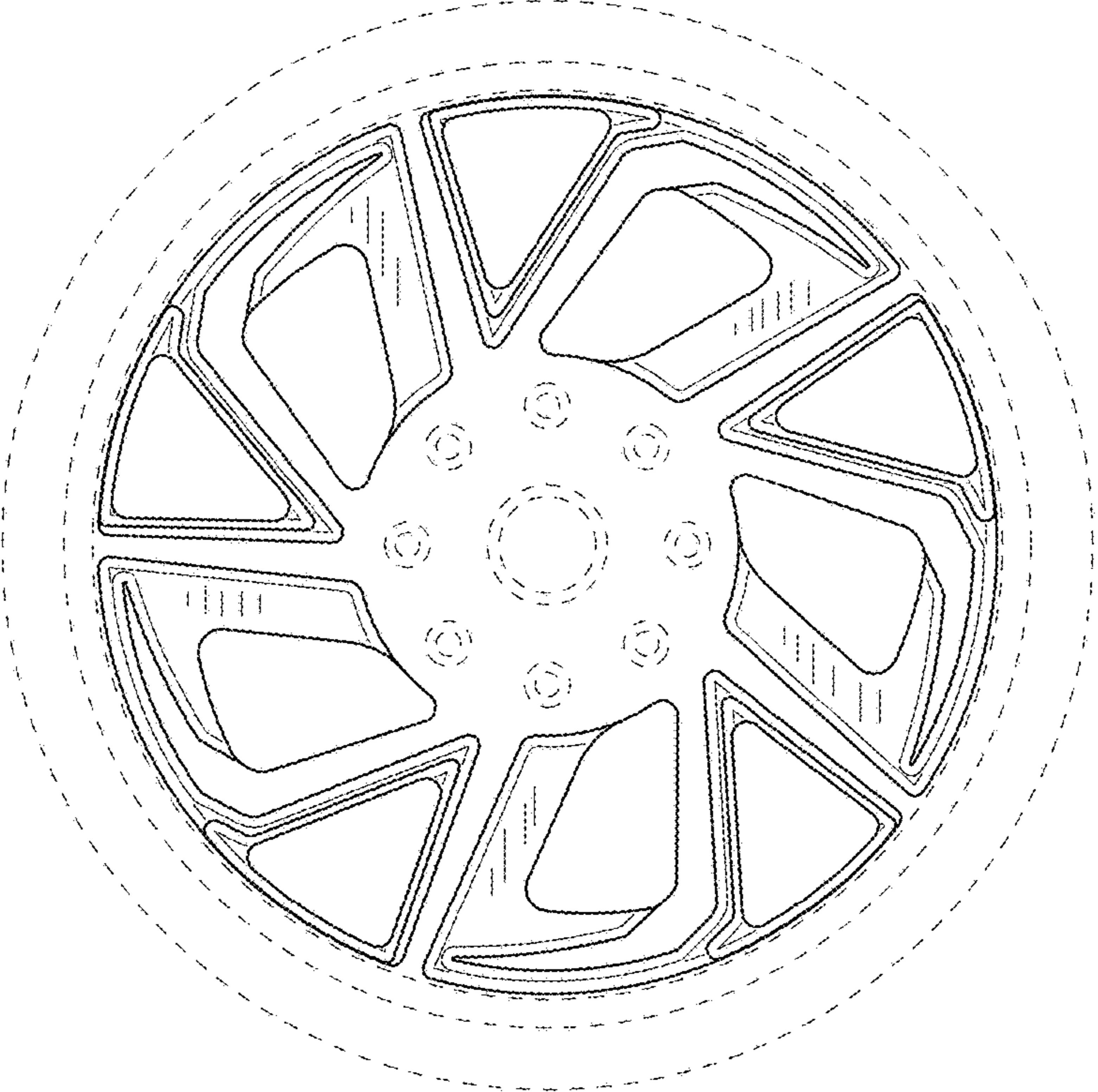


FIG.1

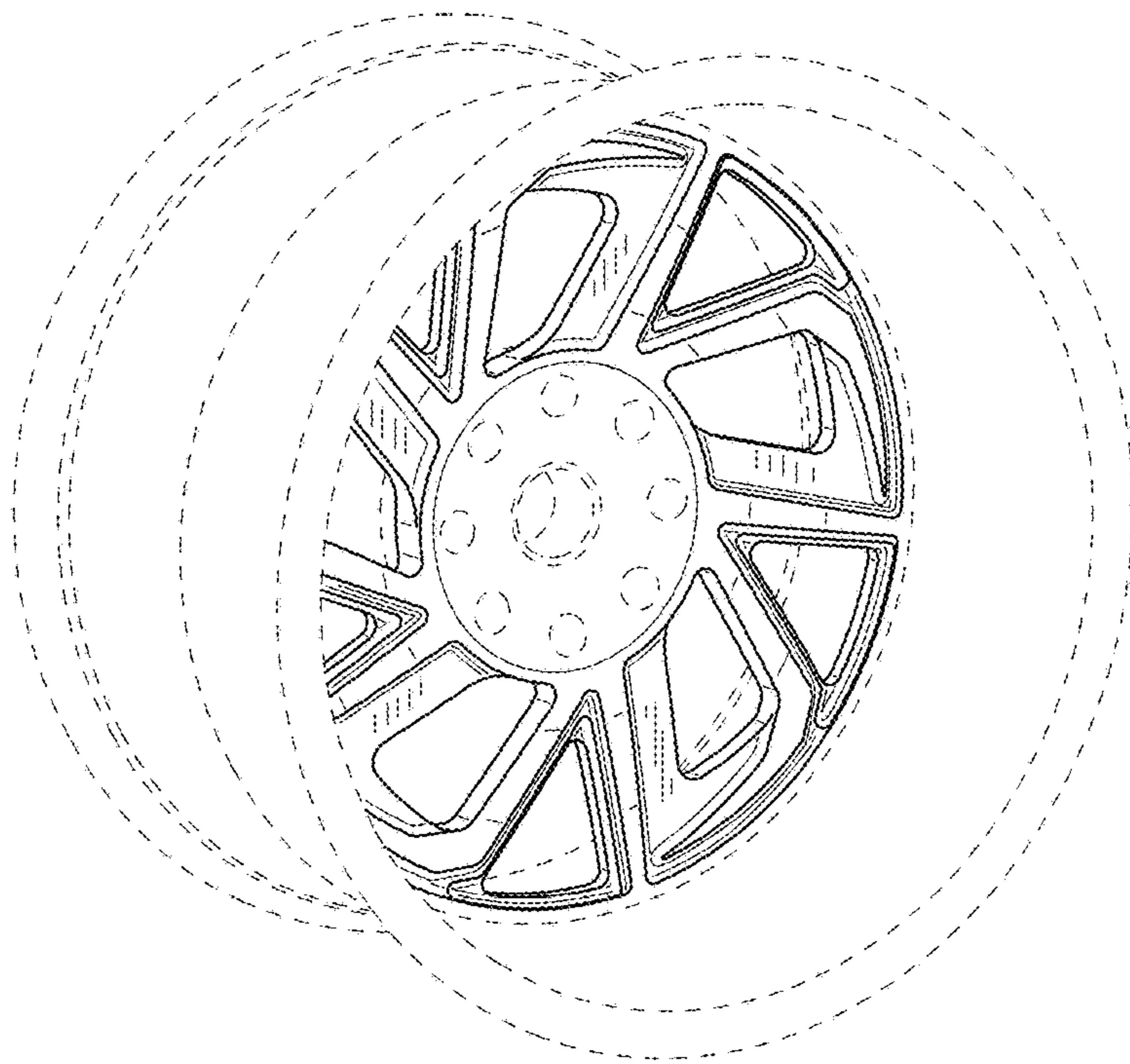


FIG.2

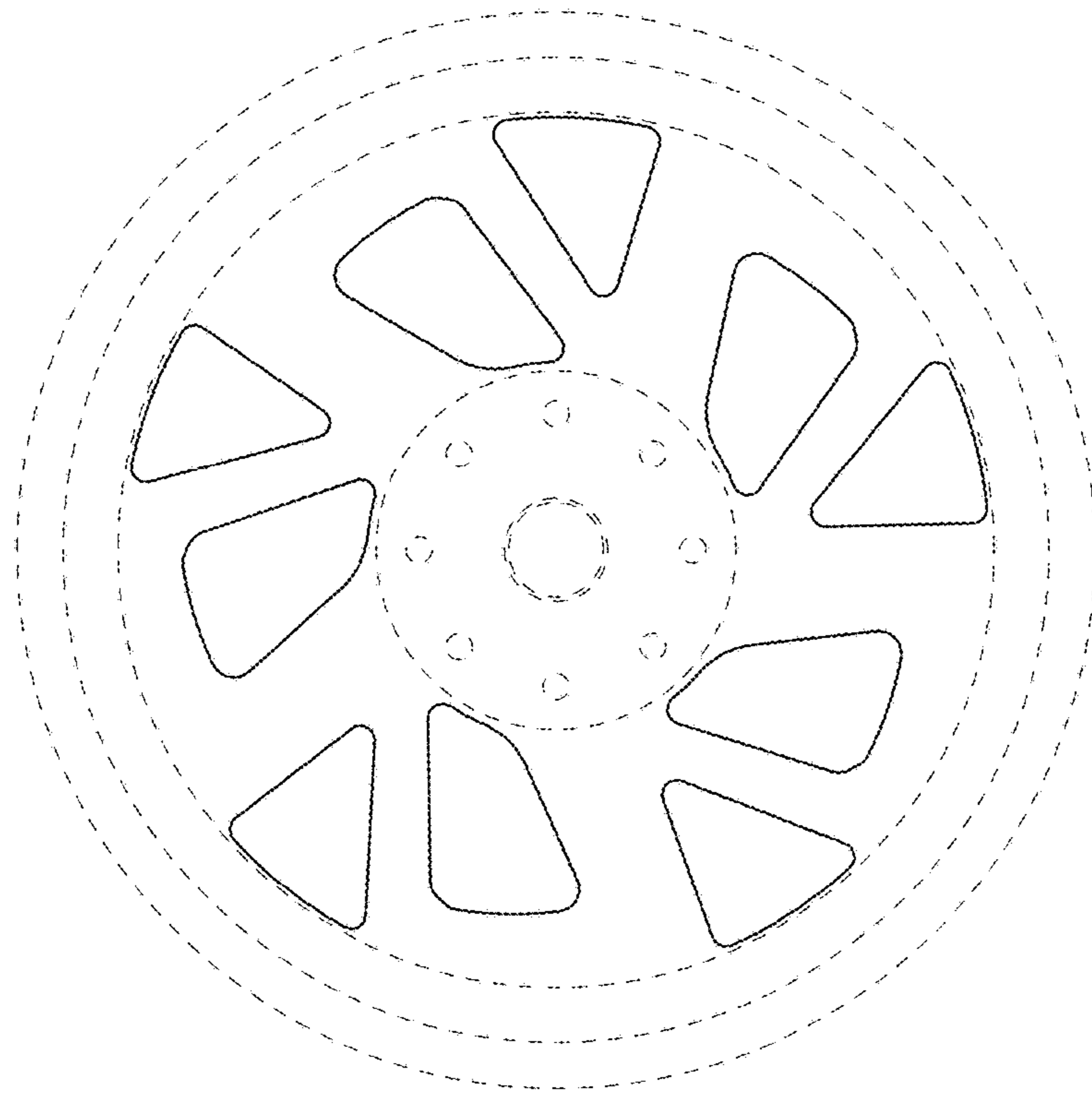


FIG.3

UNITED STATES PATENT AND TRADEMARK OFFICE
CERTIFICATE OF CORRECTION

PATENT NO. : D843,301 S
APPLICATION NO. : 29/623958
DATED : March 19, 2019
INVENTOR(S) : Frank Hodges and Kelleigh Ash

Page 1 of 1

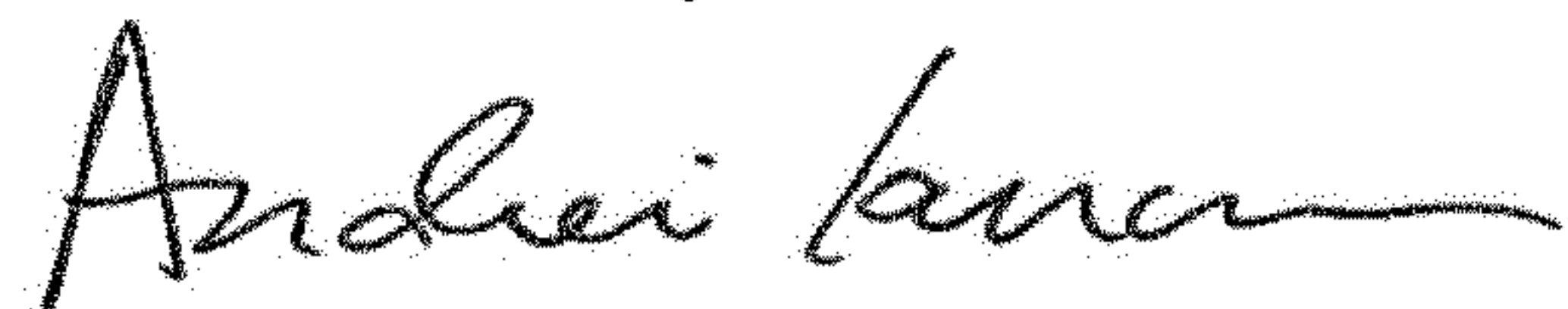
It is certified that error appears in the above-identified patent and that said Letters Patent is hereby corrected as shown below:

On the Title Page

Item (71) under Applicant:

Delete "Rolling Big Power" and insert --Pilot Inc.--

Signed and Sealed this
Fourth Day of June, 2019



Andrei Iancu
Director of the United States Patent and Trademark Office