



US00D843293S

(12) **United States Design Patent**  
**Tomasson et al.**

(10) **Patent No.:** **US D843,293 S**  
(45) **Date of Patent:** **\*\* Mar. 19, 2019**

(54) **VEHICLE WHEEL RIM**  
(71) Applicant: **Nextev Limited**, Hong Kong (HK)  
(72) Inventors: **Kris Tomasson**, Hong Kong (HK); **Juho Suh**, Hong Kong (HK); **Jim Baste**, Hong Kong (HK); **Adil Benwadih**, Hong Kong (HK); **Carl-Niklas Linck**, Hong Kong (HK)  
(73) Assignee: **NIO NEXTEV LIMITED**, Hong Kong (HK)  
(\*\*) Term: **15 Years**  
(21) Appl. No.: **29/615,831**  
(22) Filed: **Aug. 31, 2017**  
(30) **Foreign Application Priority Data**

Mar. 6, 2017 (CN) ..... 2017 3 0060970  
Mar. 6, 2017 (EM) ..... 003786011

(51) **LOC (11) Cl.** ..... **12-16**  
(52) **U.S. Cl.**  
USPC ..... **D12/209**  
(58) **Field of Classification Search**  
USPC ..... D12/204-213  
CPC .... B60B 7/00; B60B 7/02; B60B 7/04; B60B 7/01; B60B 7/06; B60B 3/02; B60B 3/04; B60B 3/06; B60B 3/10; B60B 1/00; B60B 1/08; B60B 1/10; B60B 1/12  
See application file for complete search history.

(56) **References Cited**  
U.S. PATENT DOCUMENTS

D613,657 S 4/2010 Cortes  
D626,052 S 10/2010 Majdandzic  
D660,766 S 5/2012 Gotschke et al.  
D660,772 S 5/2012 Gotschke et al.  
D668,197 S 10/2012 Gotschke et al.

D669,007 S \* 10/2012 Starr, Jr. .... D12/209  
D671,477 S 11/2012 Juergens et al.  
D714,203 S 9/2014 George et al.  
D727,828 S 4/2015 Amezketta  
D728,441 S 5/2015 Zhang  
D734,234 S 7/2015 Juergens et al.  
D741,773 S 10/2015 Juergens  
D744,925 S 12/2015 Wheel  
D749,028 S 2/2016 Henstridge  
D751,019 S 3/2016 Behmer et al.  
D760,139 S 6/2016 Dionisopoulos et al.  
D769,165 S \* 10/2016 Choi ..... D12/209  
D773,371 S 12/2016 Bucher et al.  
D776,039 S 1/2017 Pollex  
D781,202 S 3/2017 Mahoney et al.  
D790,424 S \* 6/2017 Valencia Pollex ..... D12/209  
D791,046 S \* 7/2017 Ishii ..... D12/209  
D797,638 S 9/2017 Xiao  
D801,252 S \* 10/2017 McMath ..... D12/209  
D803,128 S 11/2017 Svensson et al.

(Continued)

**OTHER PUBLICATIONS**

Non-Final Office Action dated Jun. 15, 2018 corresponding to U.S. Appl. No. 29/615,077.

(Continued)

*Primary Examiner* — Stacia A Cadmus  
(74) *Attorney, Agent, or Firm* — Hogan Lovells US LLP

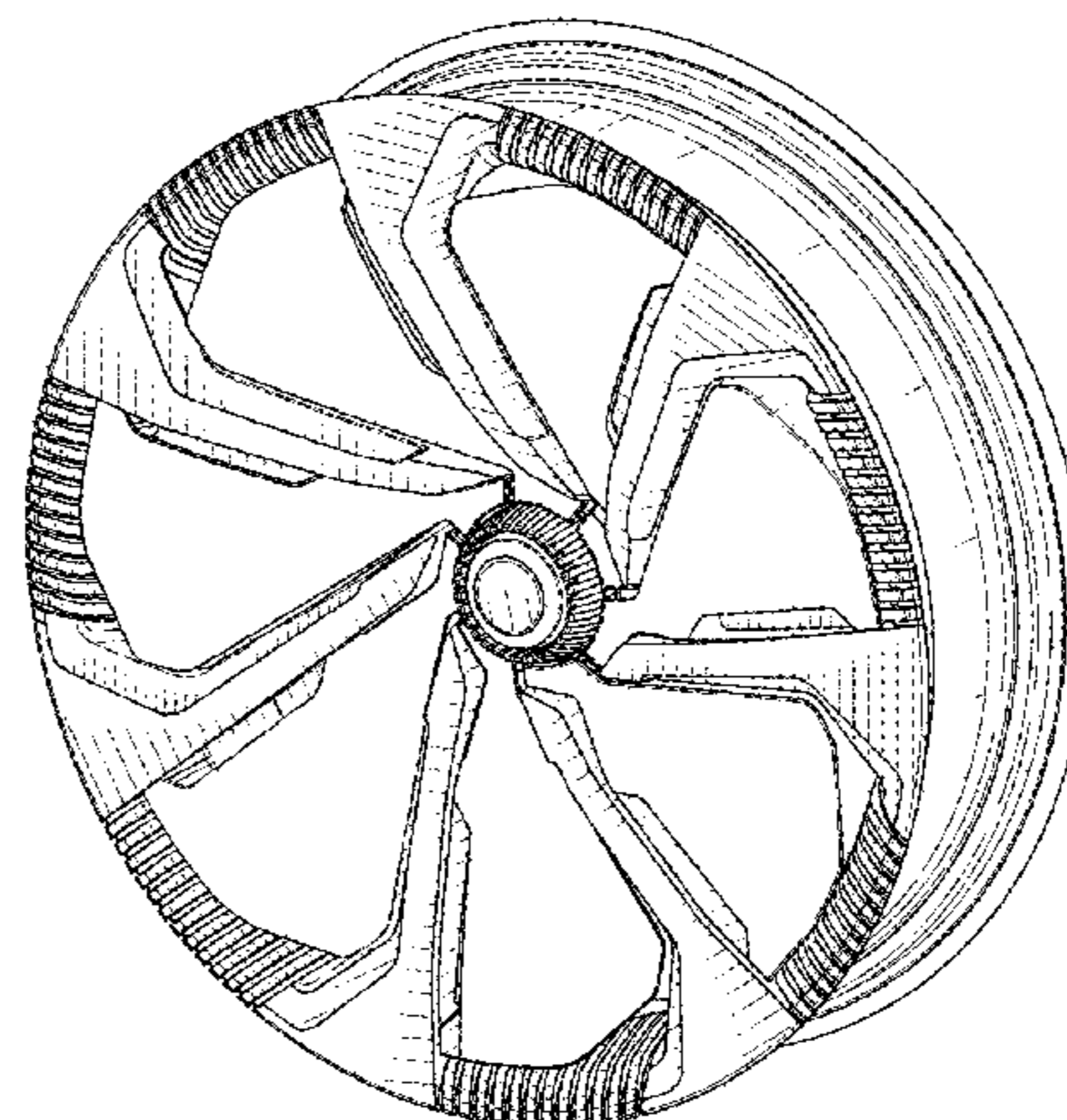
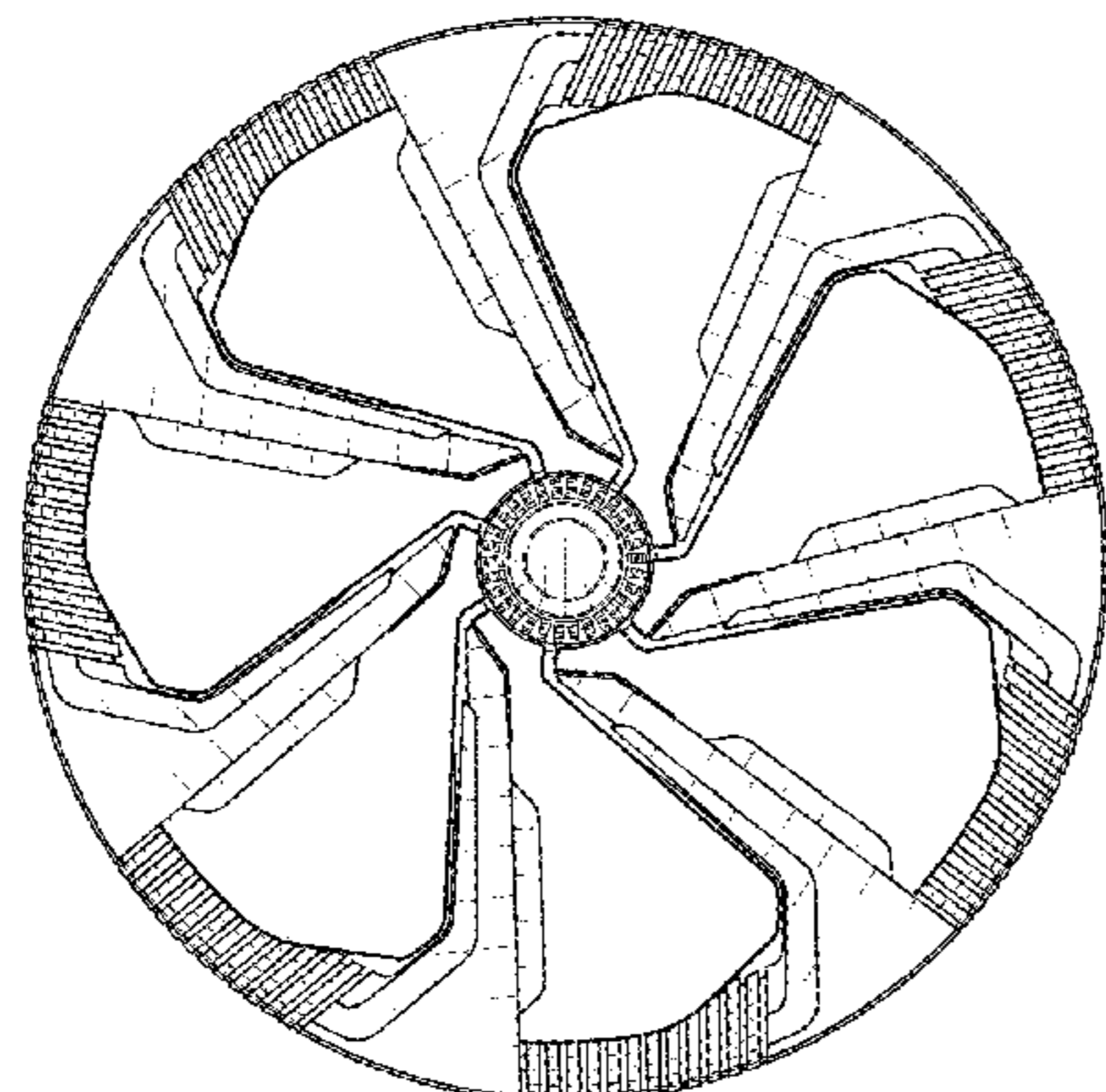
(57) **CLAIM**

The ornamental design for a vehicle wheel rim, as shown and described.

**DESCRIPTION**

FIG. 1 is a front view thereof;  
FIG. 2 is a front perspective view thereof;  
FIG. 3 is a rear perspective view thereof;  
FIG. 4 is a rear view thereof; and,  
FIG. 5 is a top view thereof.

**1 Claim, 5 Drawing Sheets**



(56)

**References Cited**

U.S. PATENT DOCUMENTS

D803,135 S     11/2017   Bucher et al.  
D818,927 S     5/2018   Pollex

OTHER PUBLICATIONS

Non-Final Office Action dated Jun. 14, 2018 corresponding to U.S.  
Appl. No. 29/616,481.

\* cited by examiner

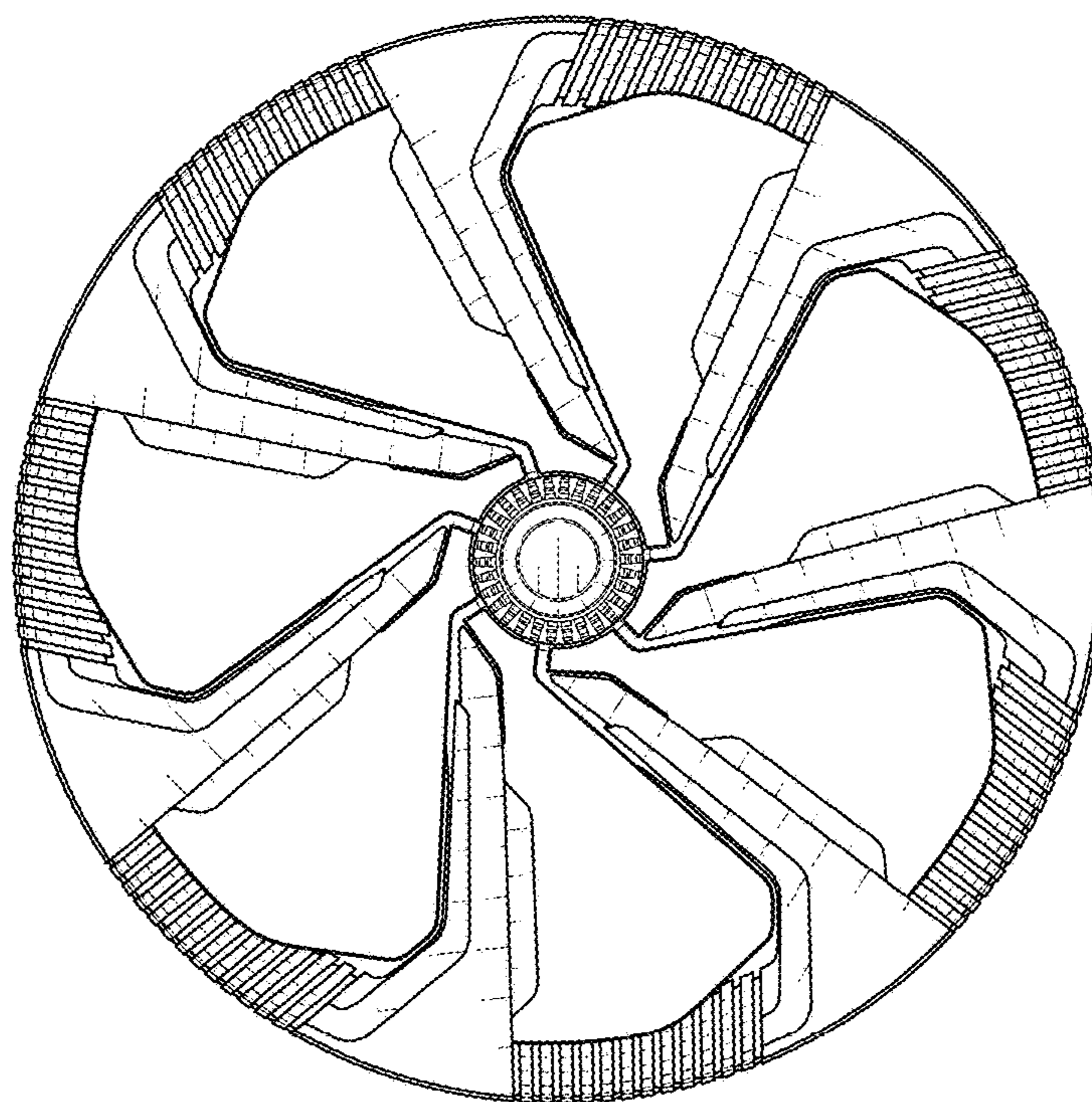


FIG. 1

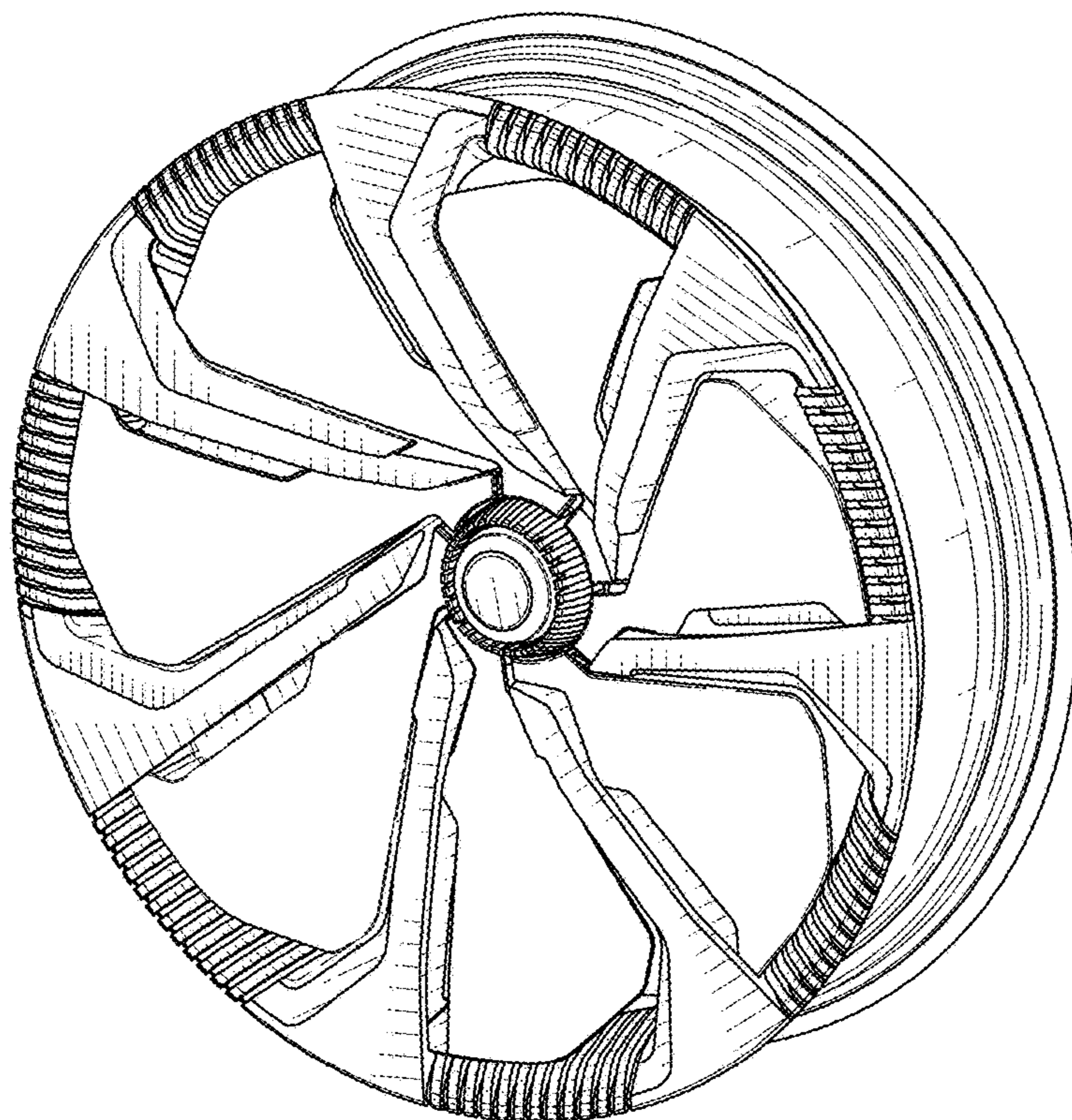


FIG. 2

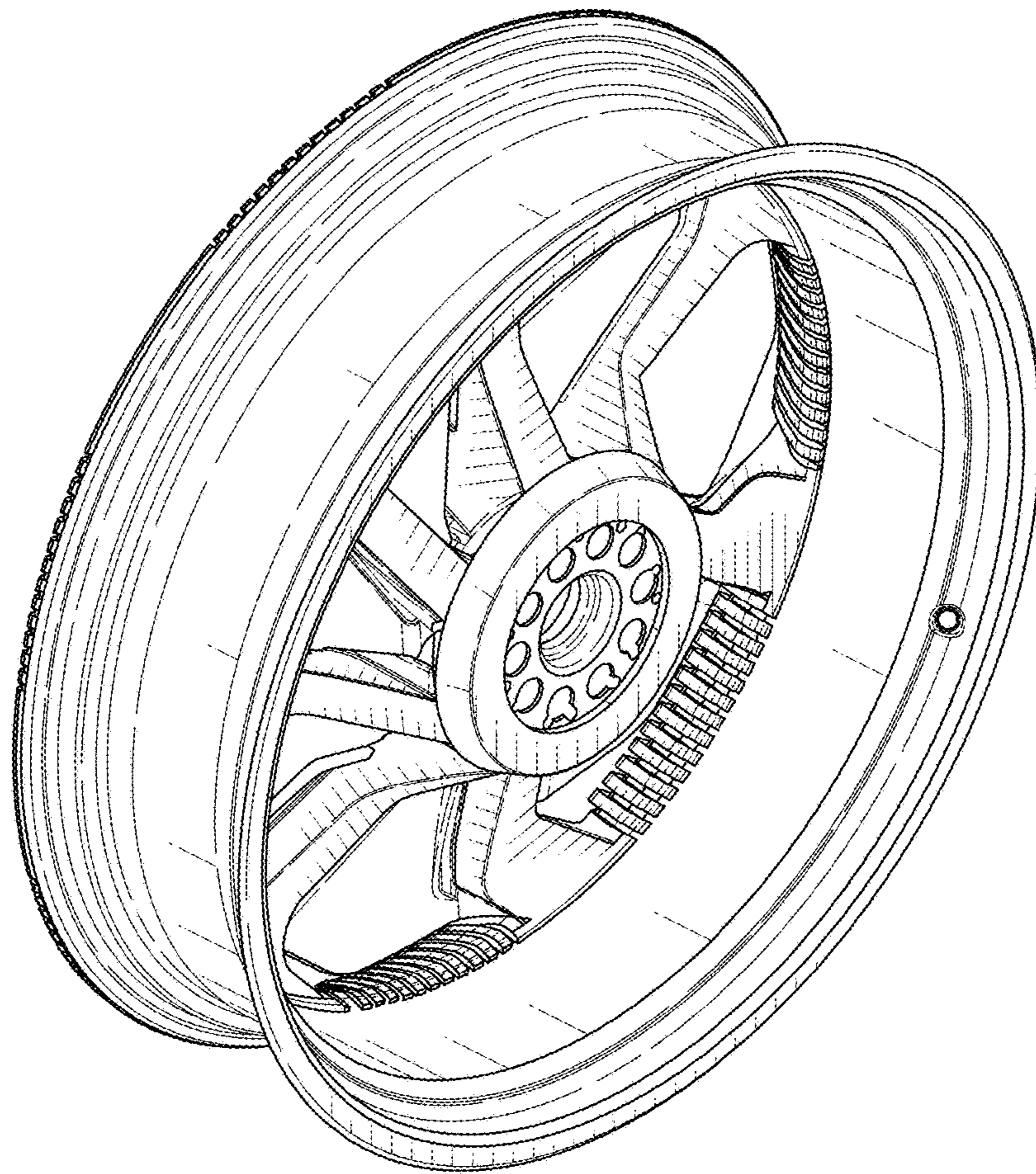


FIG. 3

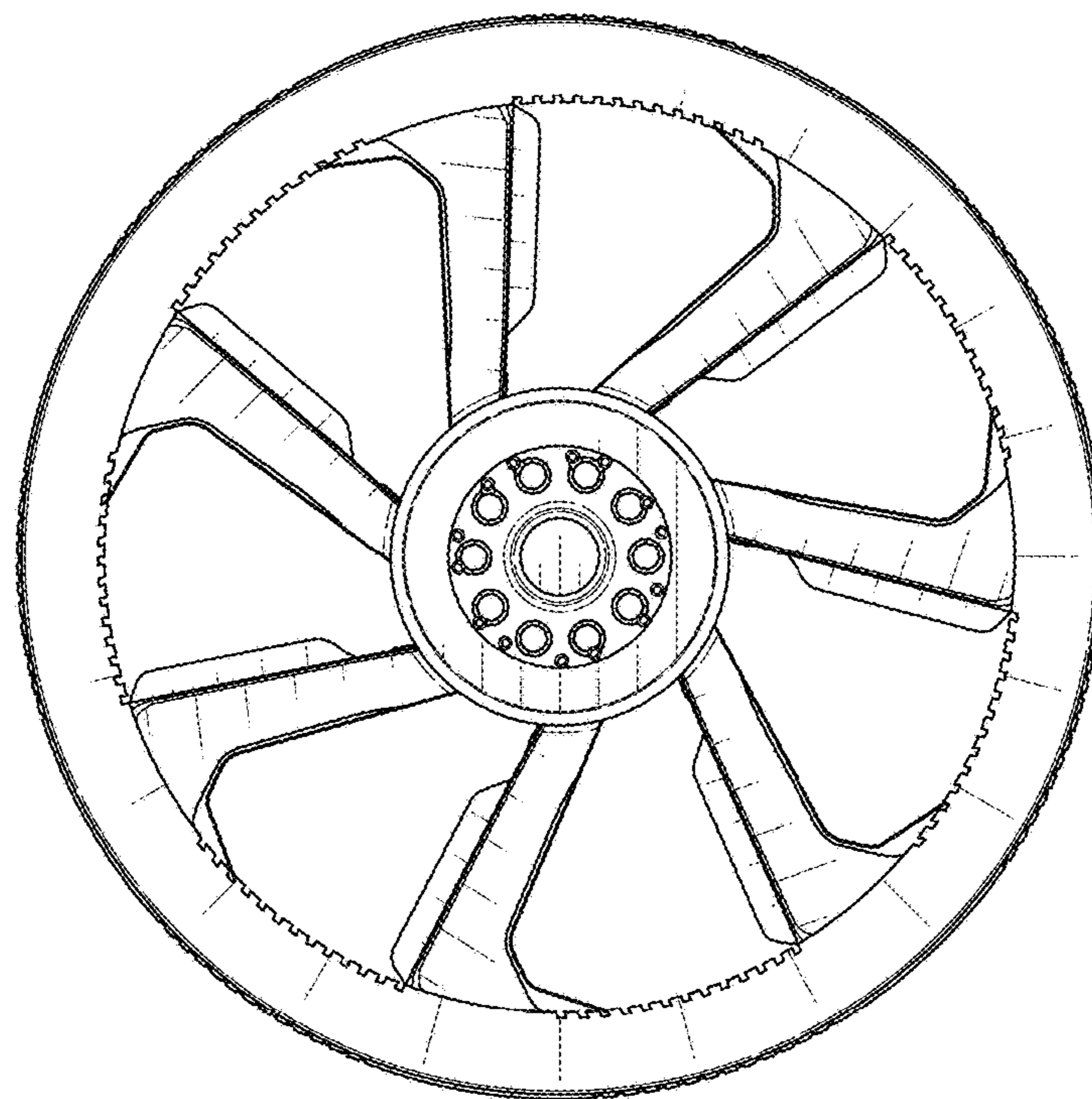


FIG. 4

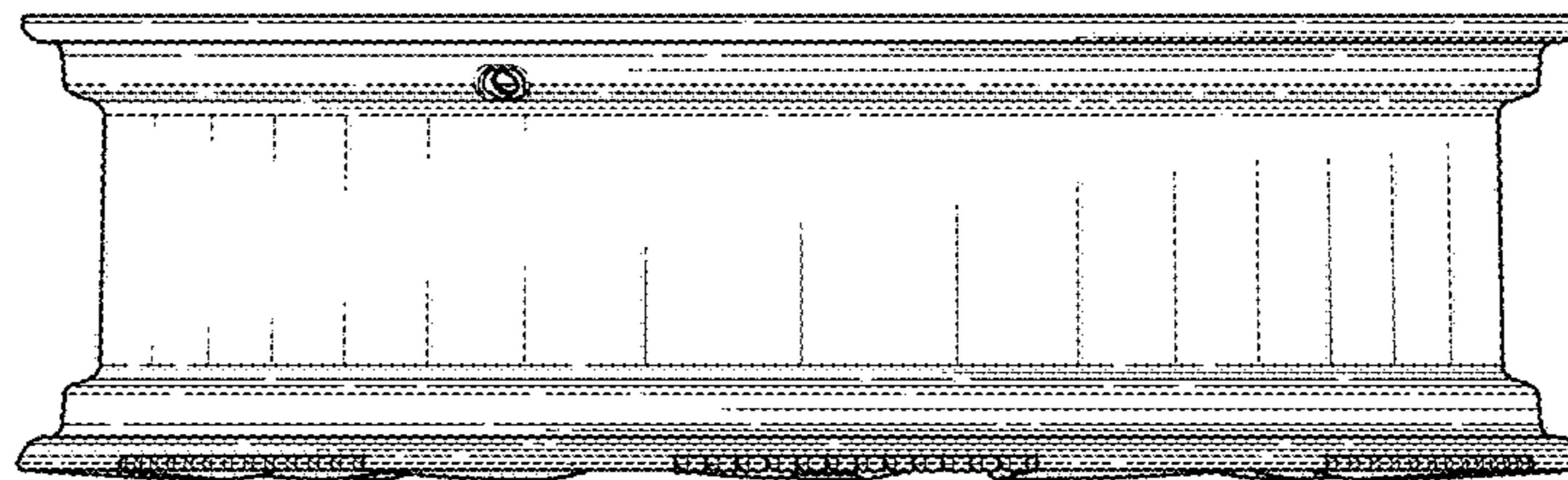


FIG. 5

UNITED STATES PATENT AND TRADEMARK OFFICE  
**CERTIFICATE OF CORRECTION**

PATENT NO. : D843,293 S  
APPLICATION NO. : 29/615831  
DATED : March 19, 2019  
INVENTOR(S) : Kris Tomasson et al.

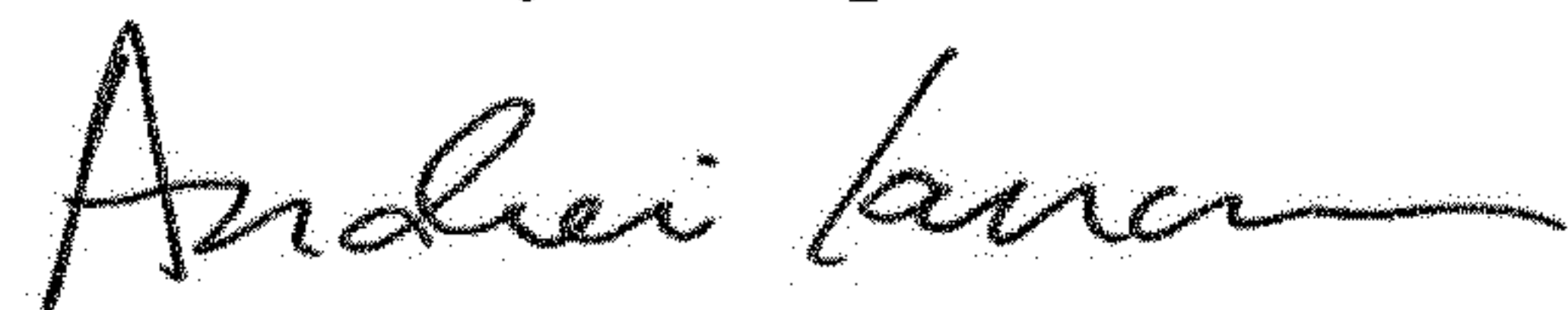
Page 1 of 1

It is certified that error appears in the above-identified patent and that said Letters Patent is hereby corrected as shown below:

On the Title Page

Item (71), Please change the Applicant to read as follows:  
NIO NEXTEV LIMITED, Hong Kong (HK)

Signed and Sealed this  
Tenth Day of September, 2019



Andrei Iancu  
*Director of the United States Patent and Trademark Office*