



US00D843288S

(12) **United States Design Patent** (10) **Patent No.:** **US D843,288 S**
Fontaeus et al. (45) **Date of Patent:** **** Mar. 19, 2019**

(54) **VEHICLE DASHBOARD**
(71) Applicant: **Faraday&Future Inc.**, Gardena, CA (US)
(72) Inventors: **Pontus Anthony Fontaeus**, Newport Beach, CA (US); **Richard S. Kim**, Los Angeles, CA (US); **Taeho Kim**, Los Angeles, CA (US); **Claudio Carbone**, Los Angeles, CA (US)

(73) Assignee: **Faraday&Future Inc.**, Gardena, CA (US)

(**) Term: **15 Years**

(21) Appl. No.: **29/575,964**

(22) Filed: **Aug. 30, 2016**

(51) **LOC (11) Cl.** **12-16**

(52) **U.S. Cl.**
USPC **D12/192**

(58) **Field of Classification Search**
USPC D12/195, 192, 114, 110, 415;
D10/122-127, 103, 102, 98; D15/17
CPC B60R 11/0241; B60R 11/0229; B60R
11/0252; B60K 35/00; G01C 21/30;
G01C 21/3688; G01C 21/16
See application file for complete search history.

(56) **References Cited**

U.S. PATENT DOCUMENTS

D480,671 S * 10/2003 Pfeiffer D12/192
D504,369 S * 4/2005 Pfeiffer D12/192
D512,671 S * 12/2005 Juraschek D12/192

D719,883 S * 12/2014 Palma D12/195
9,428,118 B1 * 8/2016 Rawlinson B60R 11/0252
D775,563 S * 1/2017 Shan D12/192
D793,315 S * 8/2017 Niemiec D12/195
D797,022 S * 9/2017 Kumagai D12/192
D804,380 S * 12/2017 Nakai D12/192
D808,874 S * 1/2018 Gao D12/192
2010/0084886 A1 * 4/2010 Utsugi B60K 35/00
296/70
2015/0343963 A1 * 12/2015 Angeletti B60R 11/0241
296/37.12
2017/0282812 A1 * 10/2017 Yoshimura B60R 11/0229

* cited by examiner

Primary Examiner — Susan E Krakower

Assistant Examiner — Jerry Shiuan-Hua Hsu

(74) *Attorney, Agent, or Firm* — Finnegan, Henderson, Farabow, Garrett & Dunner LLP

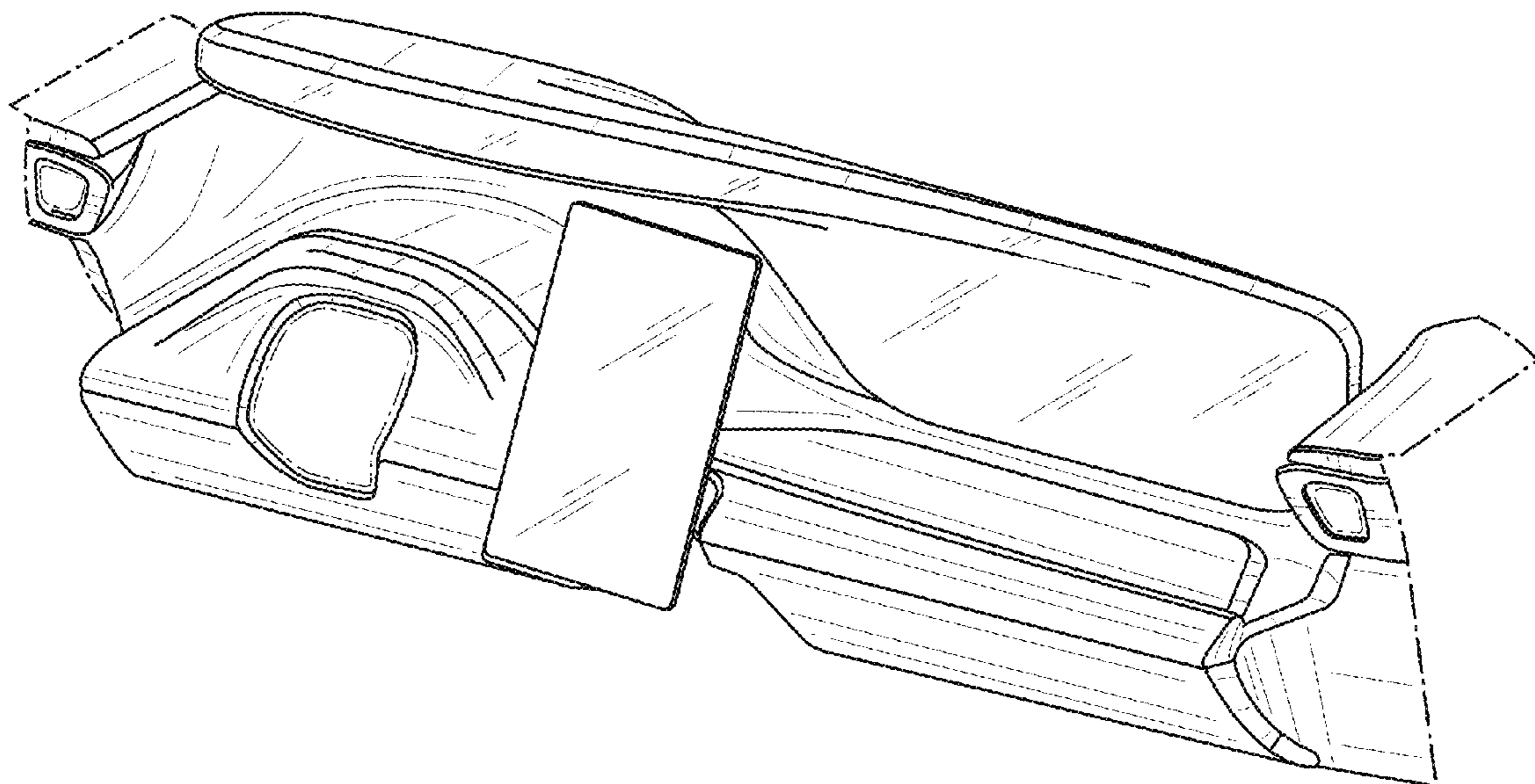
(57) **CLAIM**

The ornamental design for a vehicle dashboard, as shown and described.

DESCRIPTION

FIG. 1 is a front right perspective view of a vehicle dashboard, showing our new design;
FIG. 2 is a front left perspective view thereof;
FIG. 3 is a front elevation view thereof;
FIG. 4 is a rear elevation view thereof;
FIG. 5 is a left side elevation view thereof;
FIG. 6 is a right side elevation view thereof;
FIG. 7 is a top plan view thereof; and,
FIG. 8 is a bottom plan view thereof.
The dash dot broken lines illustrate boundaries of the vehicle dashboard and form no part of the claimed design.

1 Claim, 8 Drawing Sheets



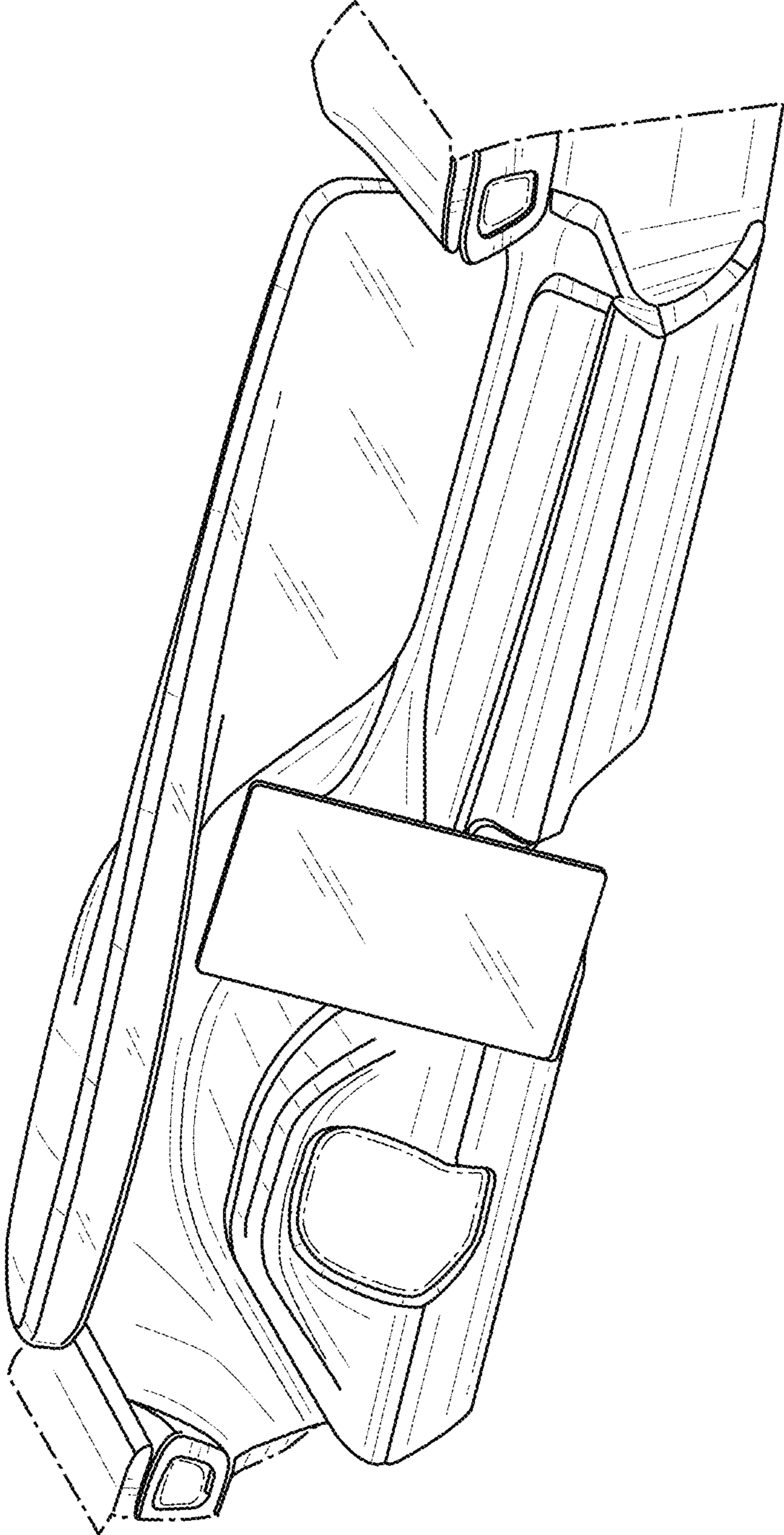


FIG. 1

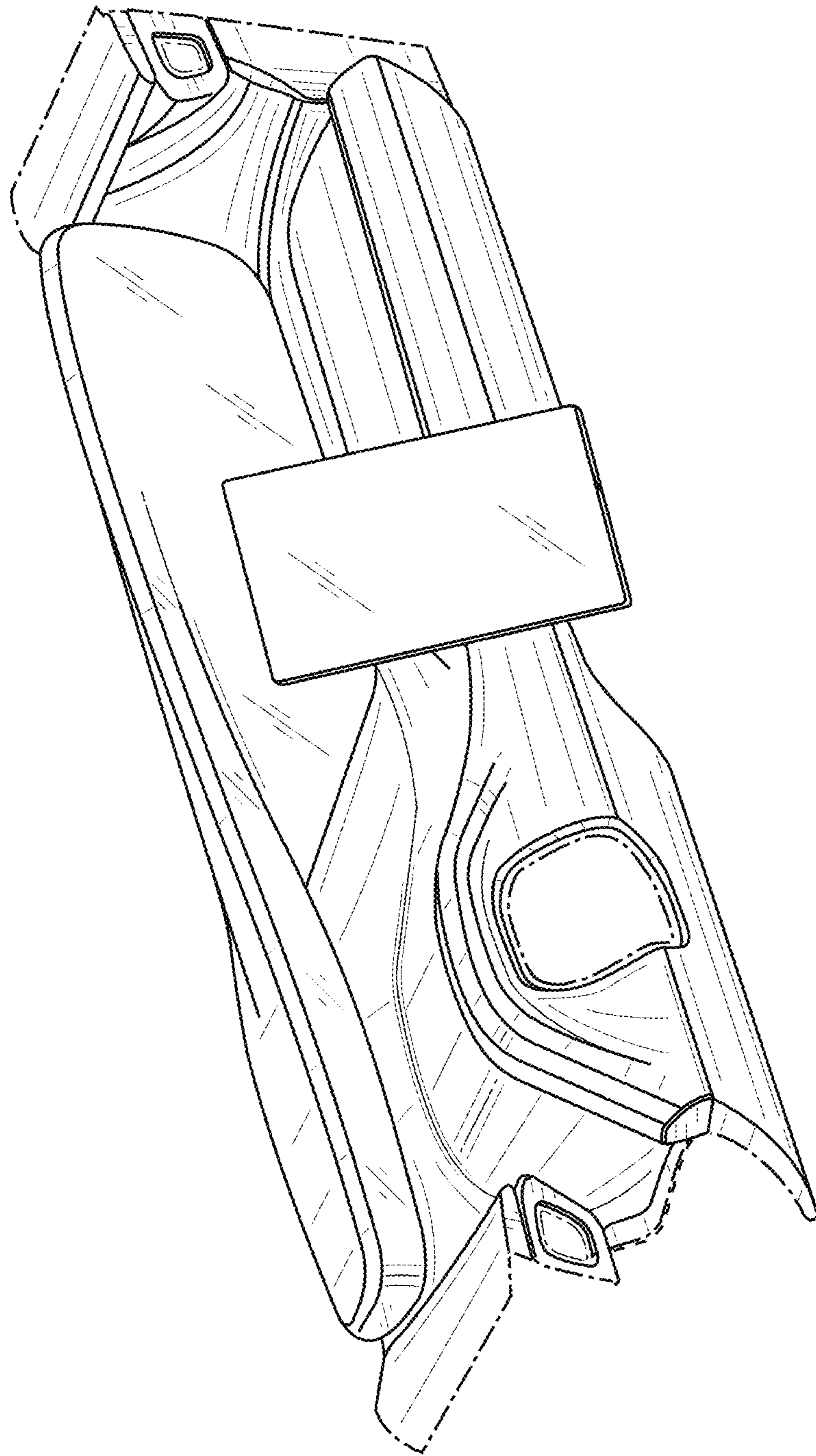


FIG. 2

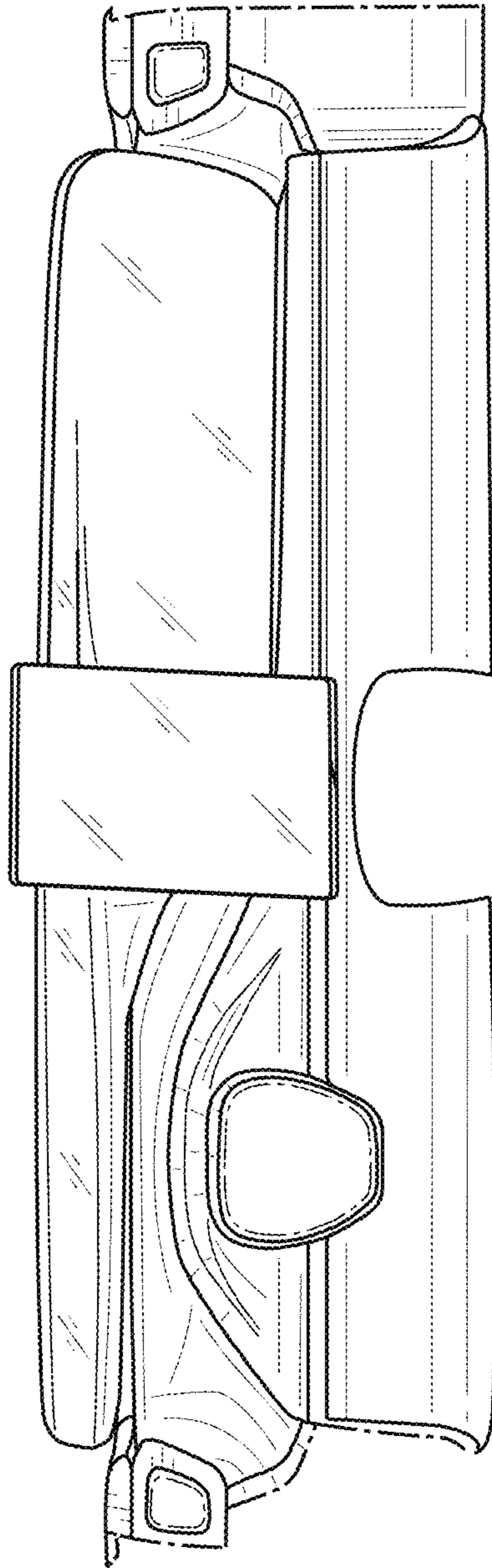


FIG. 3

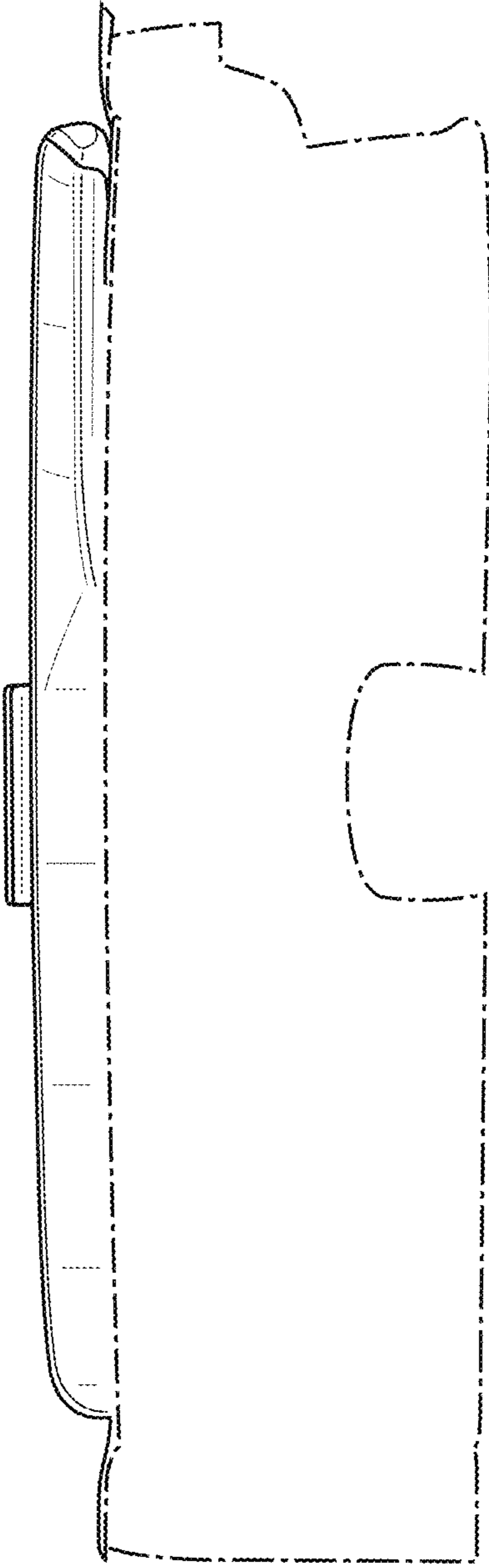


FIG. 4

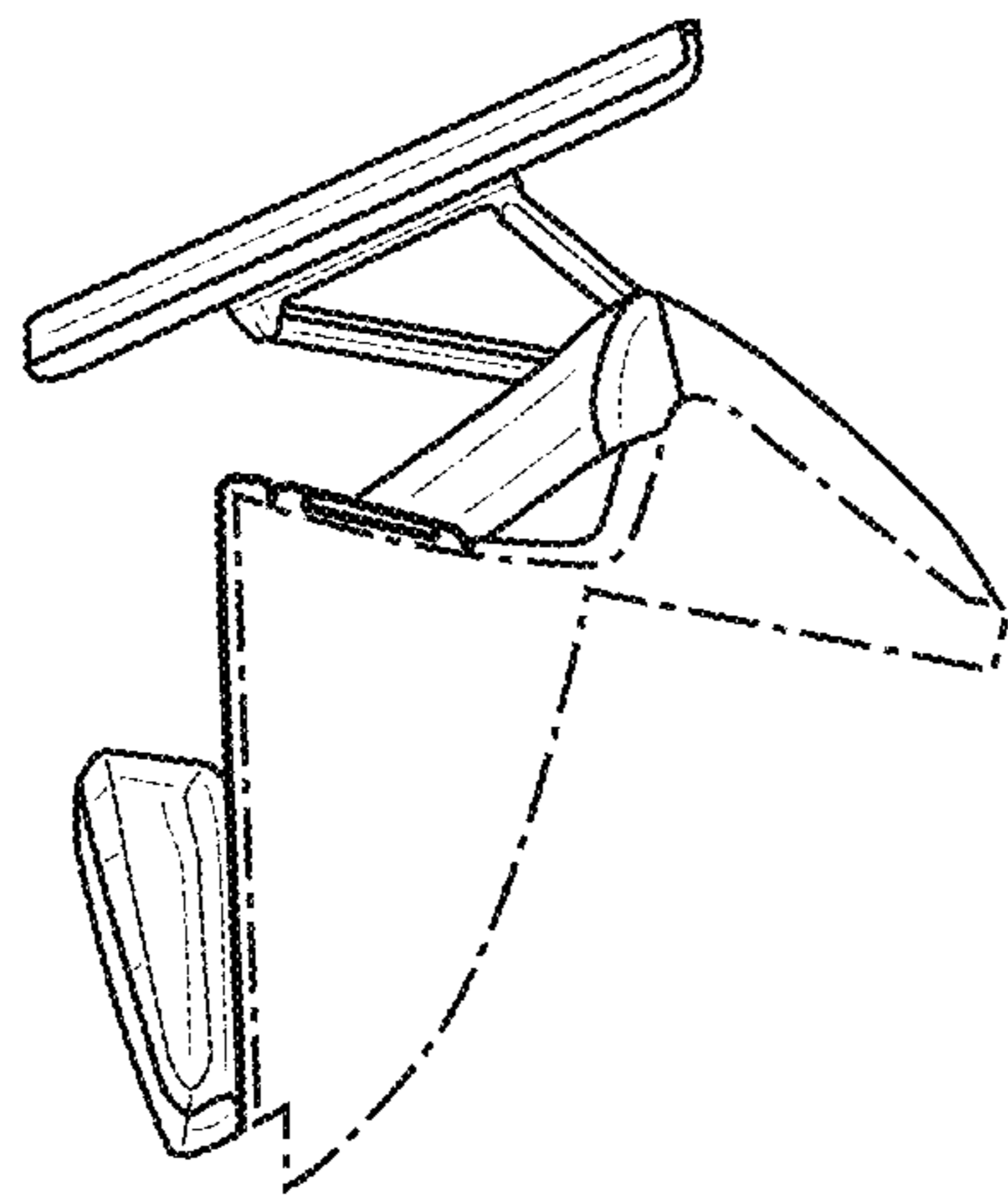


FIG. 5

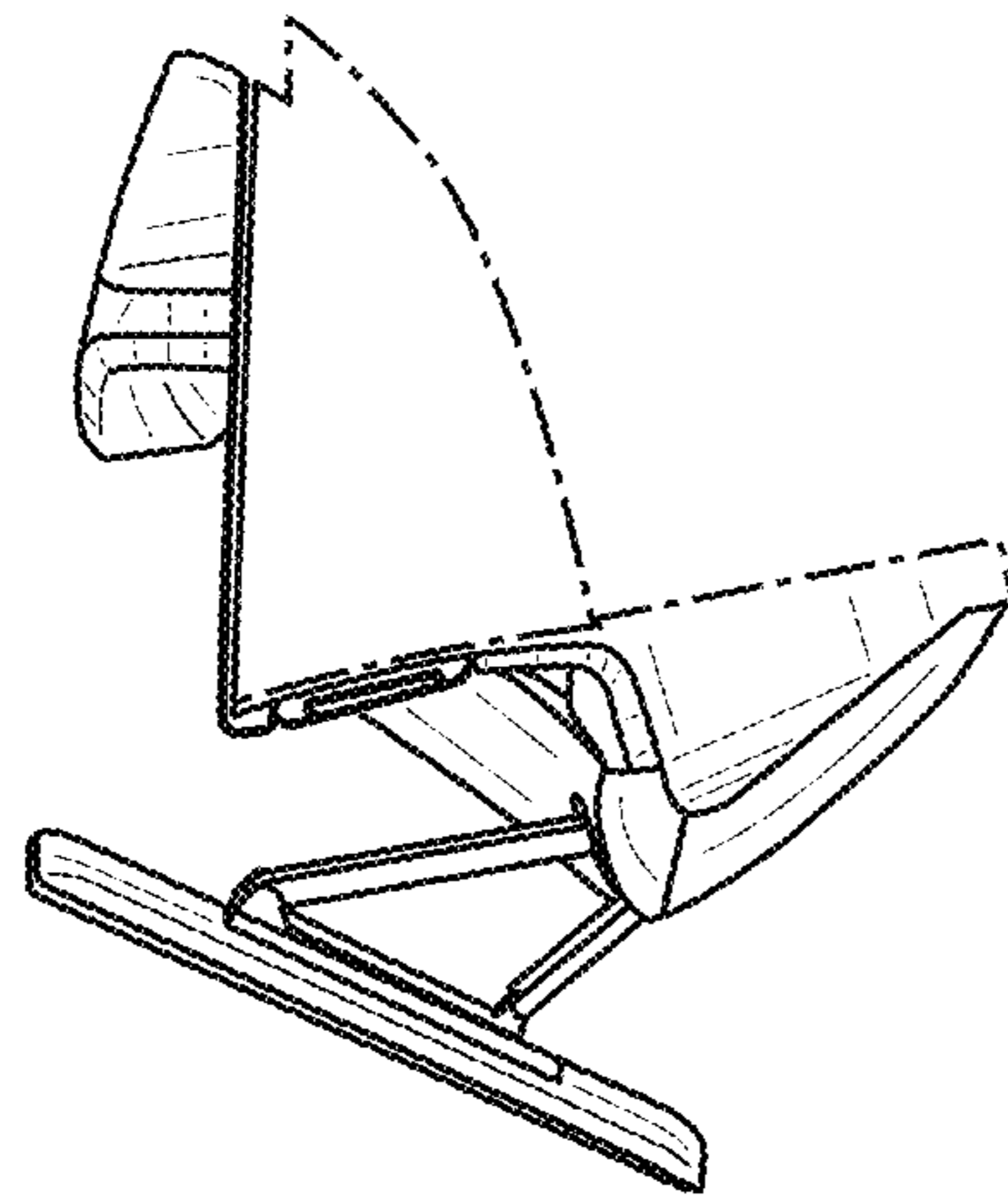


FIG. 6

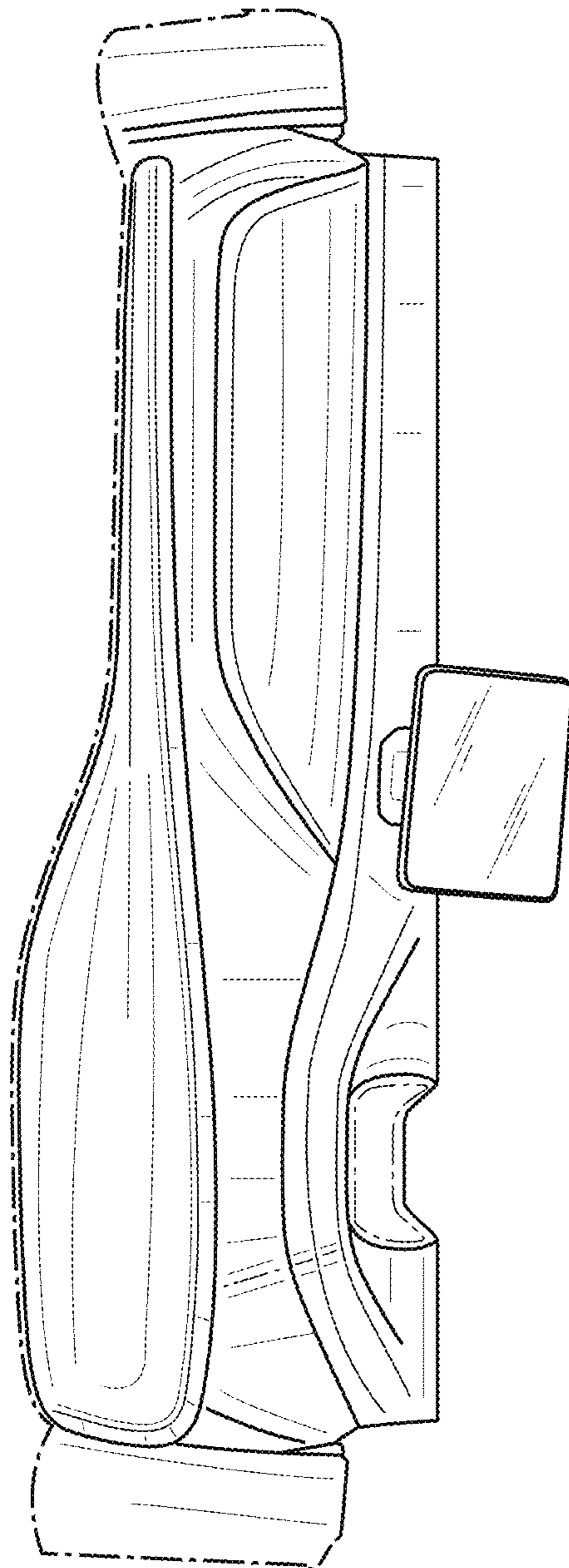


FIG. 7

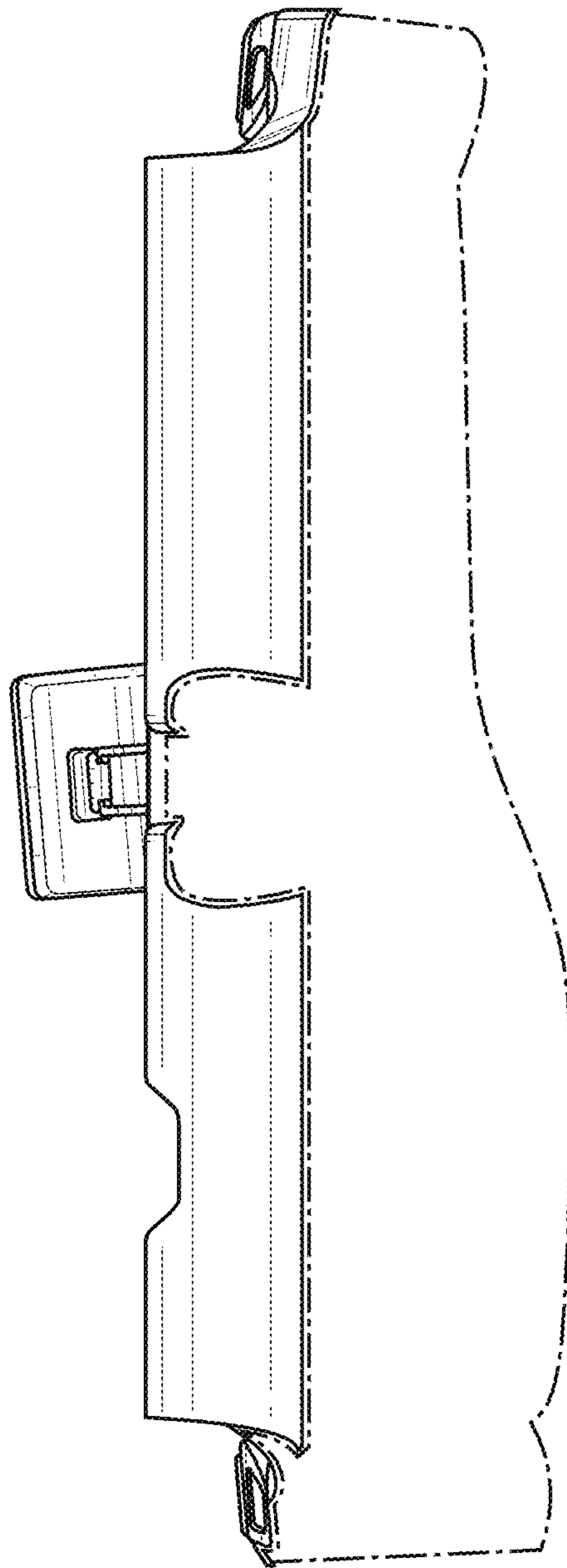


FIG. 8