



US00D843287S

(12) **United States Design Patent** (10) **Patent No.:** **US D843,287 S**  
**Wock et al.** (45) **Date of Patent:** **\*\* \*Mar. 19, 2019**

- (54) **MUD FLAP APPARATUS**
- (71) Applicant: **Agri-Cover, Inc.**, Jamestown, ND (US)
- (72) Inventors: **Shawn J. Wock**, Buchanan, ND (US);  
**Charles M. Schmeichel**, Jamestown, ND (US)
- (73) Assignee: **Agri-Cover, Inc.**, Jamestown, ND (US)
- (\*) Notice: This patent is subject to a terminal disclaimer.
- (\*\*) Term: **15 Years**
- (21) Appl. No.: **29/589,047**
- (22) Filed: **Dec. 27, 2016**
- (51) **LOC (11) Cl.** ..... **12-16**
- (52) **U.S. Cl.**  
USPC ..... **D12/185**
- (58) **Field of Classification Search**  
USPC ..... D12/90, 91, 92, 93, 96, 181, 184, 185,  
D12/196, 202; D6/323, 567; D8/353,  
D8/366, 367, 373, 394; D24/127, 128  
CPC ..... B60D 1/58; B60D 25/182; B60D 25/188;  
B62D 25/188  
See application file for complete search history.

- 4,726,599 A \* 2/1988 Antekeier ..... B62D 25/188  
280/851
- D308,958 S \* 7/1990 Knox ..... D12/185
- 5,026,094 A 6/1991 Haddox
- 5,121,944 A 6/1992 Haddox
- D328,447 S \* 8/1992 Ahleen ..... D12/185
- D330,692 S \* 11/1992 Hammond, Jr. .... D12/185
- D340,019 S \* 10/1993 Yoder ..... D12/223
- D362,226 S \* 9/1995 Sacks ..... D12/185
- D391,150 S \* 2/1998 Anderson ..... D8/394
- 5,727,805 A 3/1998 La Roque
- 5,933,254 A 8/1999 Webb et al.

(Continued)

**OTHER PUBLICATIONS**

Agri-Cover, Inc., "Rockstar mudflap instruction manual 80707 rev Jul. 9, 2013", published on Jul. 9, 2013 by Agri-Cover, Inc., Jamestown, ND, USA.

(Continued)

*Primary Examiner* — Darlington Ly  
(74) *Attorney, Agent, or Firm* — Robert C. Freed;  
Dykema Gossett PLLC

(57) **CLAIM**

The ornamental design for a mud flap apparatus, as shown and described.

**DESCRIPTION**

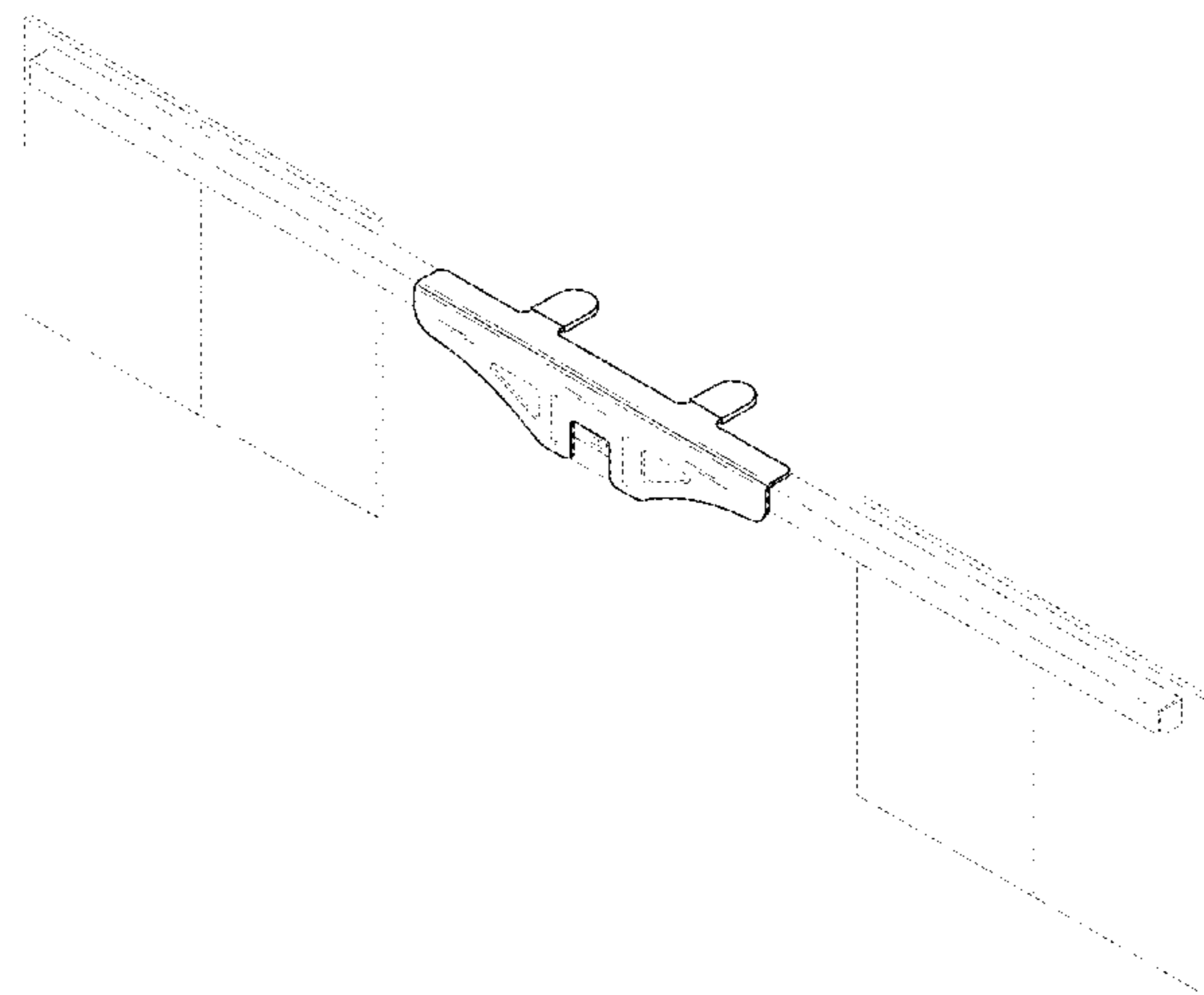
FIG. 1 is a perspective view of a mud flap apparatus showing our new design;  
FIG. 2 is a front elevational view thereof;  
FIG. 3 is a rear elevational view thereof;  
FIG. 4 is a top plan view thereof;  
FIG. 5 is a bottom plan view thereof; and,  
FIG. 6 is a right side elevational view thereof, which is a mirror image of the left side elevational view thereof.  
The broken lines in the drawings illustrate portions of the mud flap apparatus and exemplary mud flaps with a bracket bar that form no part of the claimed design.

**1 Claim, 6 Drawing Sheets**

(56) **References Cited**

**U.S. PATENT DOCUMENTS**

- 3,782,757 A \* 1/1974 Juergens ..... B62D 25/163  
280/851
- 3,877,722 A \* 4/1975 Conner ..... B62D 25/188  
280/154
- 3,934,901 A \* 1/1976 Hammerly ..... B62D 25/188  
280/851
- D249,500 S \* 9/1978 Cox ..... D12/185
- 4,326,727 A \* 4/1982 Rock ..... B62D 25/18  
248/316.7
- 4,627,594 A \* 12/1986 Reed ..... B62D 25/188  
248/632



(56)

References Cited

U.S. PATENT DOCUMENTS

5,938,222 A 8/1999 Huang  
 D415,086 S \* 10/1999 Larkin ..... D12/185  
 5,967,553 A \* 10/1999 Cominsky ..... B62D 25/188  
 280/154  
 6,076,842 A 6/2000 Knoer  
 6,179,311 B1 \* 1/2001 Larkin ..... B62D 25/188  
 280/154  
 6,375,223 B1 4/2002 Kirckof  
 6,485,059 B2 11/2002 Burnstein  
 6,527,288 B2 3/2003 Abercrombie  
 D484,399 S \* 12/2003 Arthur ..... D8/394  
 6,942,252 B2 9/2005 Buuck  
 6,994,376 B1 \* 2/2006 Deering ..... B62D 25/188  
 280/154  
 7,407,194 B1 8/2008 Alley  
 7,607,698 B2 10/2009 Cicansky  
 7,931,302 B2 4/2011 Vaughn  
 D657,054 S \* 4/2012 Bacon ..... D24/128  
 D695,173 S \* 12/2013 Sperry ..... D12/185

8,668,227 B1 3/2014 Peotter et al.  
 D727,716 S \* 4/2015 Langle ..... D8/355  
 D735,017 S \* 7/2015 Langle ..... D8/355  
 9,387,888 B2 7/2016 Schmeichel et al.  
 9,422,009 B2 \* 8/2016 Schmeichel ..... B60D 1/58  
 9,724,974 B2 \* 8/2017 Schmeichel ..... B60D 1/58  
 2002/0185853 A1 12/2002 Gaudet  
 2006/0048993 A1 3/2006 Karube et al.  
 2006/0048994 A1 3/2006 Young et al.  
 2007/0102917 A1 5/2007 Hopkins, Jr.  
 2007/0216128 A1 \* 9/2007 Morton ..... B62D 25/188  
 280/154  
 2008/0277895 A1 11/2008 Cicansky  
 2009/0194967 A1 8/2009 Vaughn

OTHER PUBLICATIONS

Agri-Cover, Inc., "Rockstar XL mudflap instruction manual 80707\_L rev Jan. 12, 2015", published on Jan. 12, 2015 by Agri-Cover, Inc., Jamestown, ND, USA.

\* cited by examiner

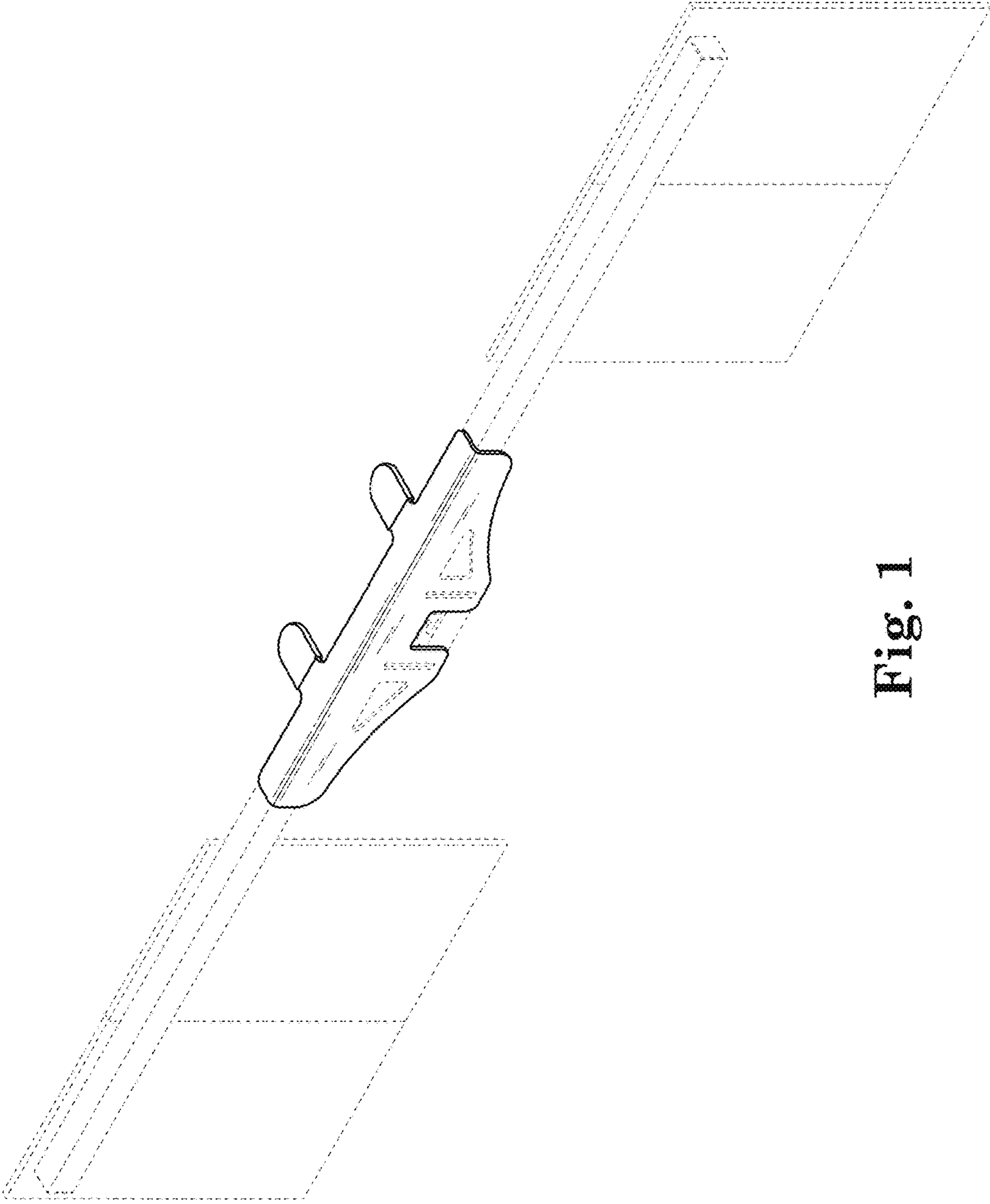


Fig. 1

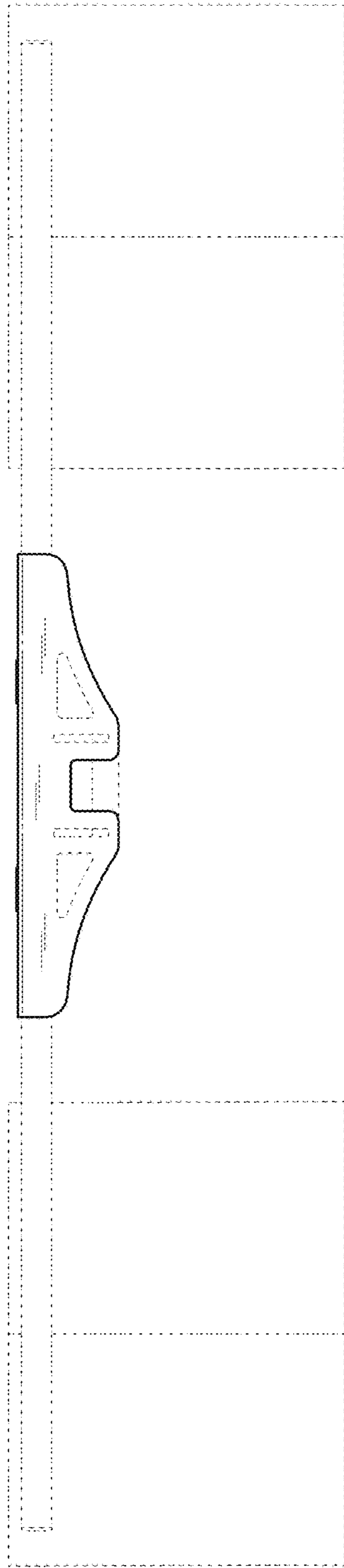


Fig. 2

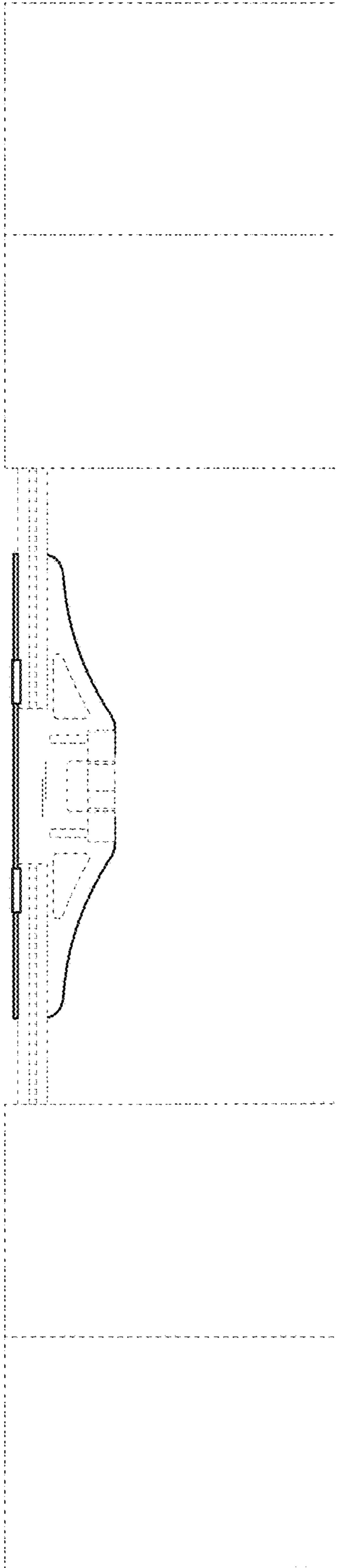


Fig. 3

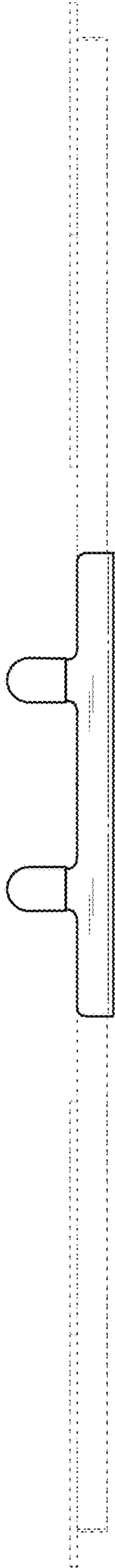


Fig. 4

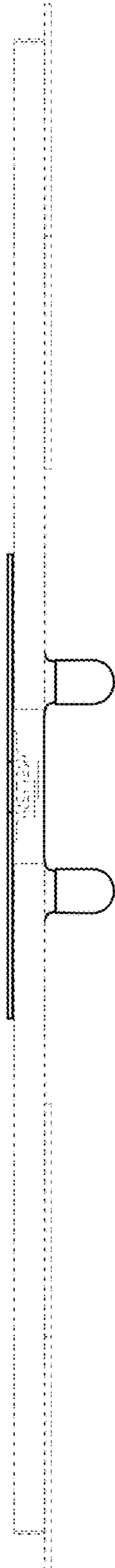
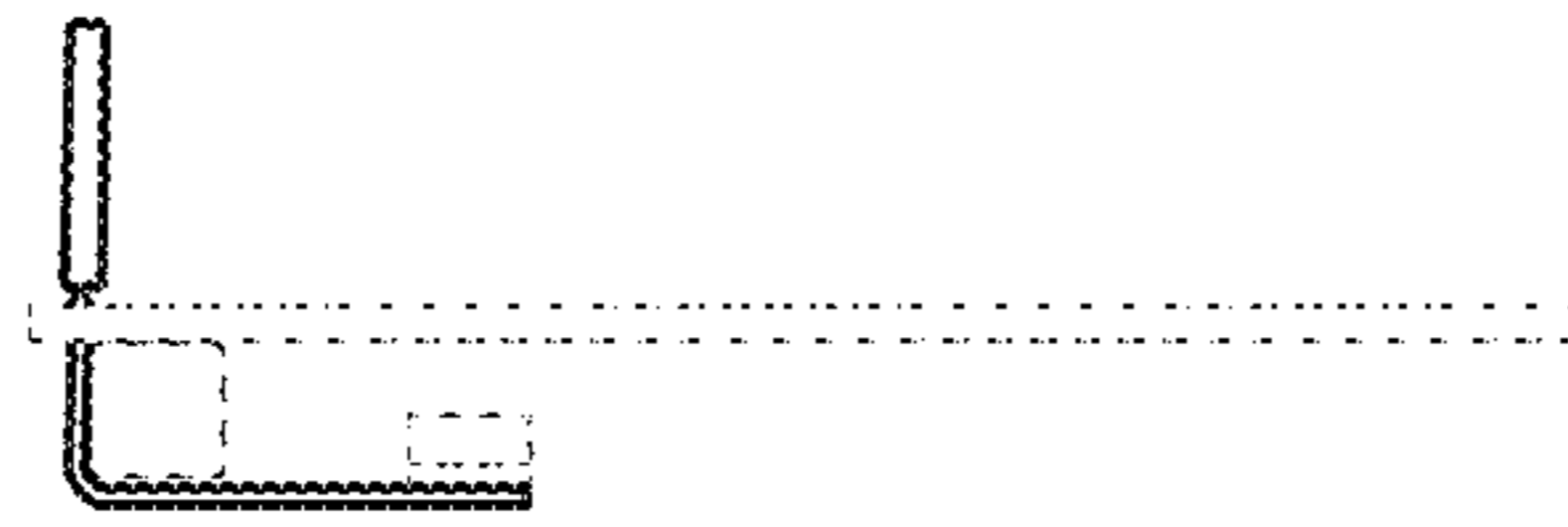


Fig. 5



**Fig. 6**