



US00D843286S

(12) **United States Design Patent**  
**Wock et al.**

(10) **Patent No.:** **US D843,286 S**  
(45) **Date of Patent:** **\*\* \*Mar. 19, 2019**

- (54) **MUD FLAP APPARATUS**
- (71) Applicant: **Agri-Cover, Inc.**, Jamestown, ND (US)
- (72) Inventors: **Shawn J. Wock**, Buchanan, ND (US);  
**Charles M. Schmeichel**, Jamestown, ND (US)
- (73) Assignee: **Agri-Cover, Inc.**, Jamestown, ND (US)

4,726,599 A \* 2/1988 Antekeier ..... B62D 25/188  
280/851  
D308,958 S \* 7/1990 Knox ..... D12/185  
5,026,094 A 6/1991 Haddox  
5,121,944 A 6/1992 Haddox  
D328,447 S \* 8/1992 Ahleen ..... D12/185  
D330,692 S \* 11/1992 Hammond, Jr. .... D12/185  
D340,019 S \* 10/1993 Yoder ..... D12/223  
D362,226 S \* 9/1995 Sacks ..... D12/185  
D391,150 S \* 2/1998 Anderson ..... D8/394  
5,727,805 A 3/1998 La Roque  
5,938,222 A 8/1999 Huang

(\*) Notice: This patent is subject to a terminal disclaimer.

(\*\*) Term: **15 Years**

(21) Appl. No.: **29/589,046**

(22) Filed: **Dec. 27, 2016**

(51) **LOC (11) Cl.** ..... **12-16**

(52) **U.S. Cl.**  
USPC ..... **D12/185**

(58) **Field of Classification Search**  
USPC ..... D12/90, 91, 92, 93, 96, 181, 184, 185,  
D12/196, 202; D6/323, 567; D8/353,  
D8/366, 367, 373, 394; D24/127, 128  
CPC ..... B60D 1/58; B60D 25/182; B60D 25/188;  
B62D 25/188

See application file for complete search history.

(56) **References Cited**

**U.S. PATENT DOCUMENTS**

3,782,757 A \* 1/1974 Juergens ..... B62D 25/163  
280/851  
3,877,722 A \* 4/1975 Conner ..... B62D 25/188  
280/154  
3,934,901 A \* 1/1976 Hammerly ..... B62D 25/188  
280/851  
D249,500 S \* 9/1978 Cox ..... D12/185  
4,326,727 A \* 4/1982 Rock ..... B62D 25/18  
248/316.7  
4,627,594 A \* 12/1986 Reed ..... B62D 25/188  
248/632

**OTHER PUBLICATIONS**

Agri-Cover, Inc., "Rockstar mudflap instruction manual 80707 rev Jul. 9, 2013", published on Jul. 9, 2013 by Agri-Cover, Inc., Jamestown, ND, USA.

(Continued)

*Primary Examiner* — Darlington Ly  
(74) *Attorney, Agent, or Firm* — Robert C. Freed;  
Dykema Gossett PLLC

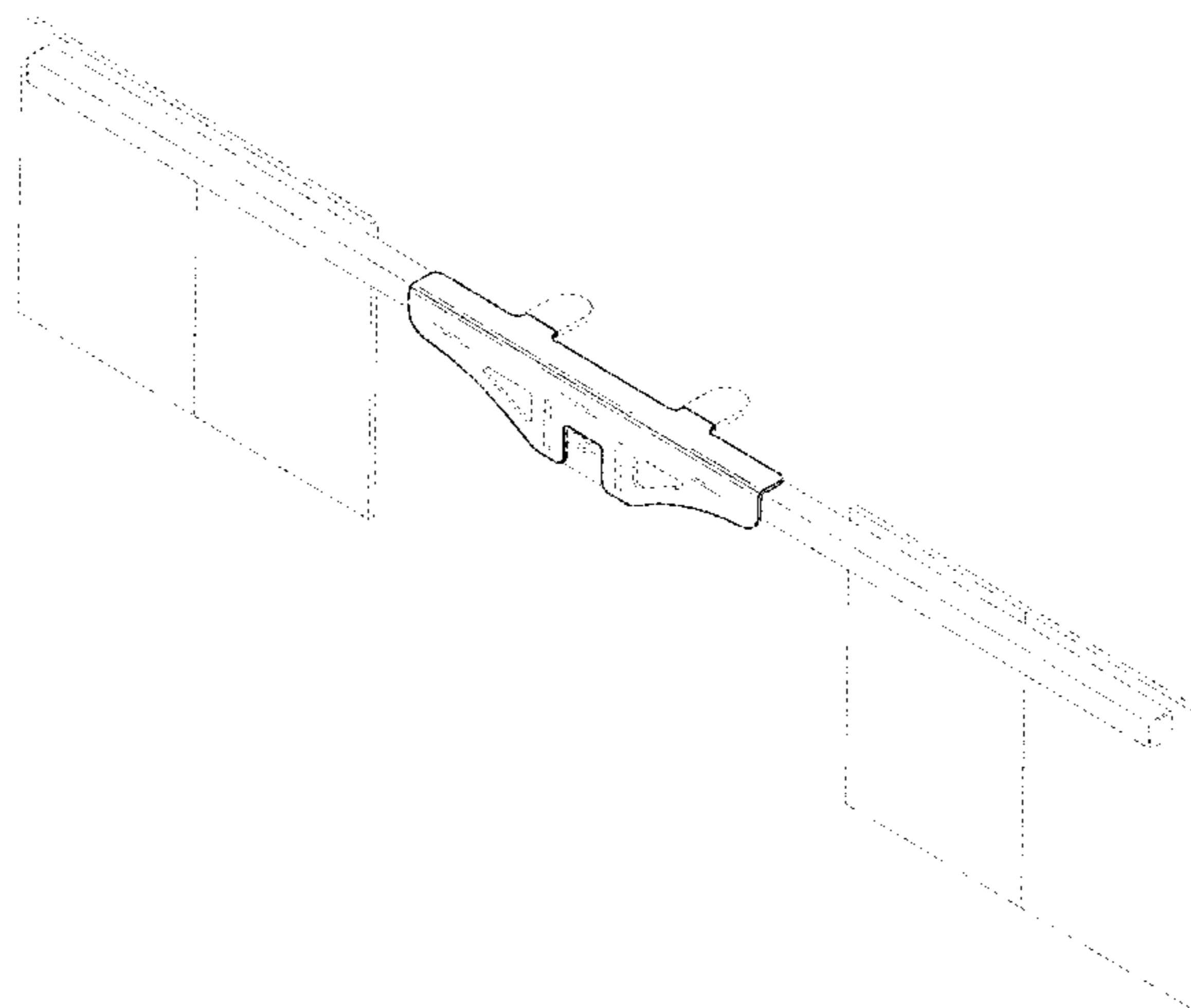
(57) **CLAIM**

The ornamental design for a mud flap apparatus, as shown and described.

**DESCRIPTION**

FIG. 1 is a perspective view of a mud flap apparatus showing our new design;  
FIG. 2 is a front elevational view thereof;  
FIG. 3 is a rear elevational view thereof;  
FIG. 4 is a top plan view thereof;  
FIG. 5 is a bottom plan view thereof; and,  
FIG. 6 is a right side elevational view thereof, which is a mirror image of the left side elevational view thereof.  
The broken lines in the drawings illustrate portions of the mud flap apparatus and exemplary mud flaps with a bracket bar that form no part of the claimed design.

**1 Claim, 6 Drawing Sheets**



# US D843,286 S

Page 2

(56)

## References Cited

### U.S. PATENT DOCUMENTS

D415,086	S *	10/1999	Larkin .....	D12/185	8,668,227	B1	3/2014	Peotter et al.	
5,967,553	A *	10/1999	Cominsky .....	B62D 25/188 280/154	D727,716	S *	4/2015	Langle .....	D8/355
6,076,842	A	6/2000	Knoer		D735,017	S *	7/2015	Langle .....	D8/355
6,179,311	B1 *	1/2001	Larkin .....	B62D 25/188 280/154	9,387,888	B2	7/2016	Schmeichel et al.	
6,375,223	B1	4/2002	Kirckof		9,422,009	B2 *	8/2016	Schmeichel .....	B60D 1/58
6,485,059	B2	11/2002	Burnstein		9,724,974	B2 *	8/2017	Schmeichel .....	B60D 1/58
6,527,288	B2	3/2003	Abercrombie		2002/0185853	A1	12/2002	Gaudet	
D484,399	S *	12/2003	Arthur .....	D8/394	2006/0048993	A1	3/2006	Karube et al.	
6,942,252	B2	9/2005	Buuck		2006/0048994	A1	3/2006	Young et al.	
6,994,376	B1 *	2/2006	Deering .....	B62D 25/188 280/154	2007/0102917	A1	5/2007	Hopkins, Jr.	
7,407,194	B1	8/2008	Alley		2007/0216128	A1 *	9/2007	Morton .....	B62D 25/188 280/154
7,607,698	B2	10/2009	Cicansky		2008/0277895	A1	11/2008	Cicansky	
7,931,302	B2	4/2011	Vaughn		2009/0194967	A1	8/2009	Vaughn	
D657,054	S *	4/2012	Bacon .....	D24/128					
D695,173	S *	12/2013	Sperry .....	D12/185					

### OTHER PUBLICATIONS

Agri-Cover, Inc., "Rockstar XL mudflap instruction manual 80707\_L rev Jan. 12, 2015", published on Jan. 12, 2015 by Agri-Cover, Inc., Jamestown, ND, USA.

\* cited by examiner

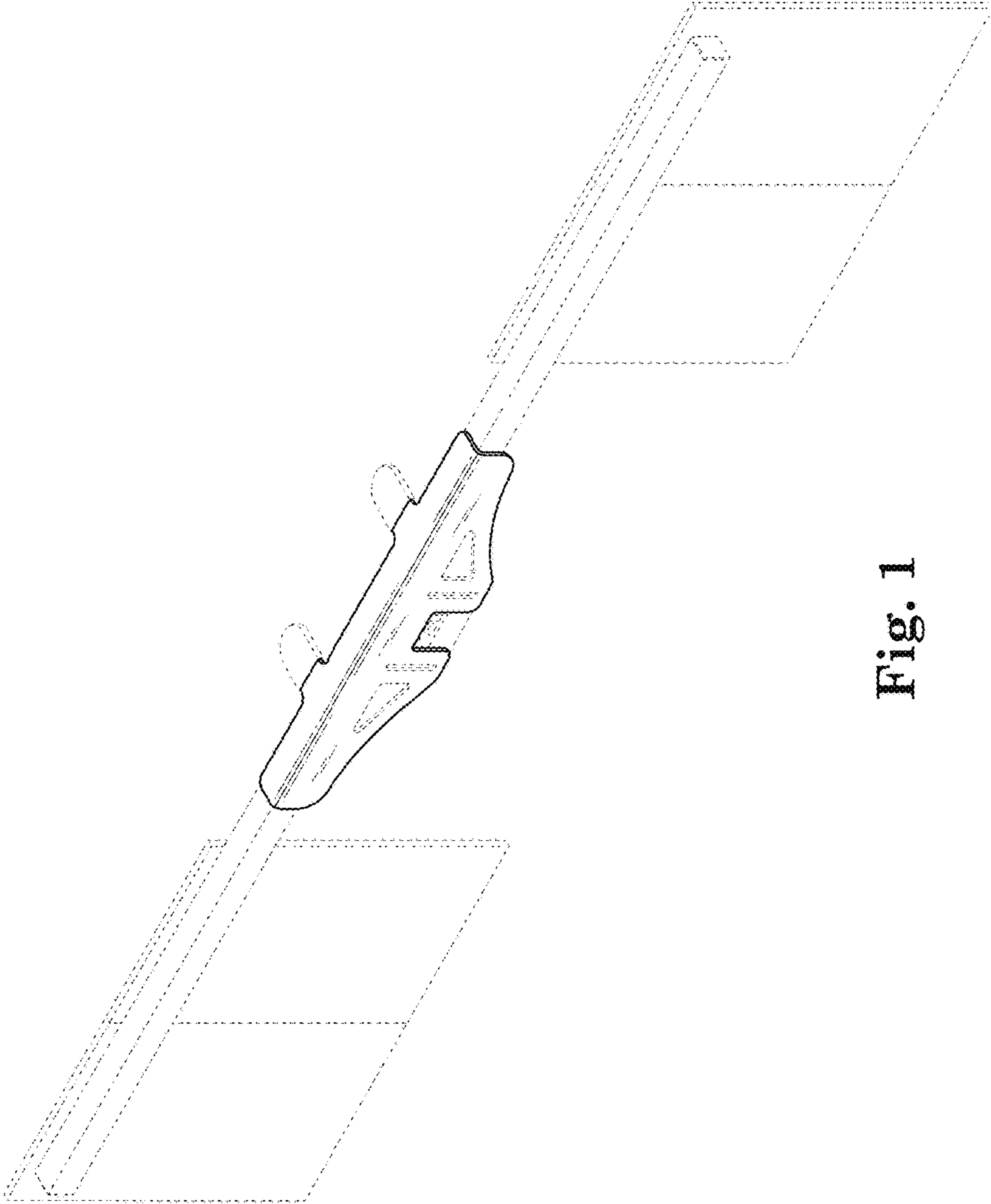


Fig. 1

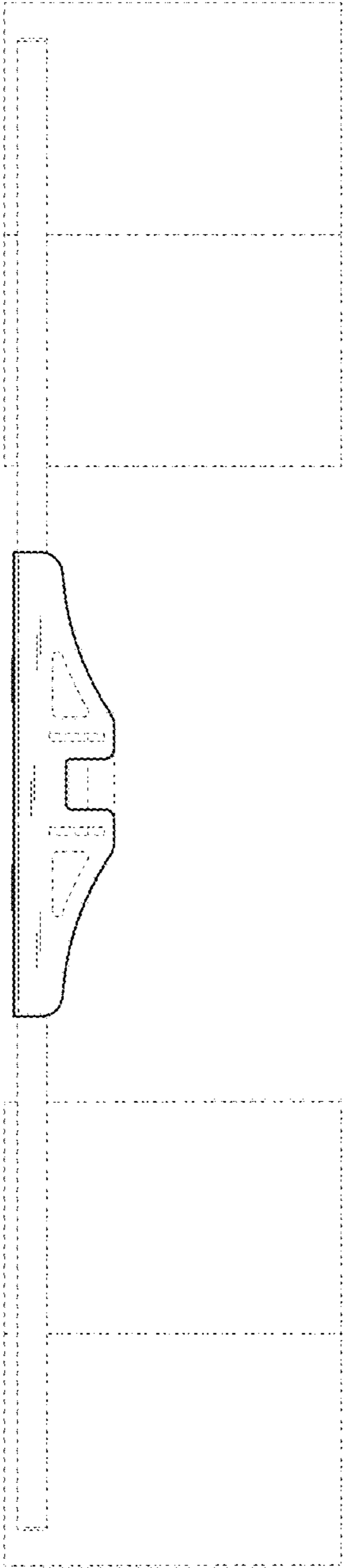


Fig. 2

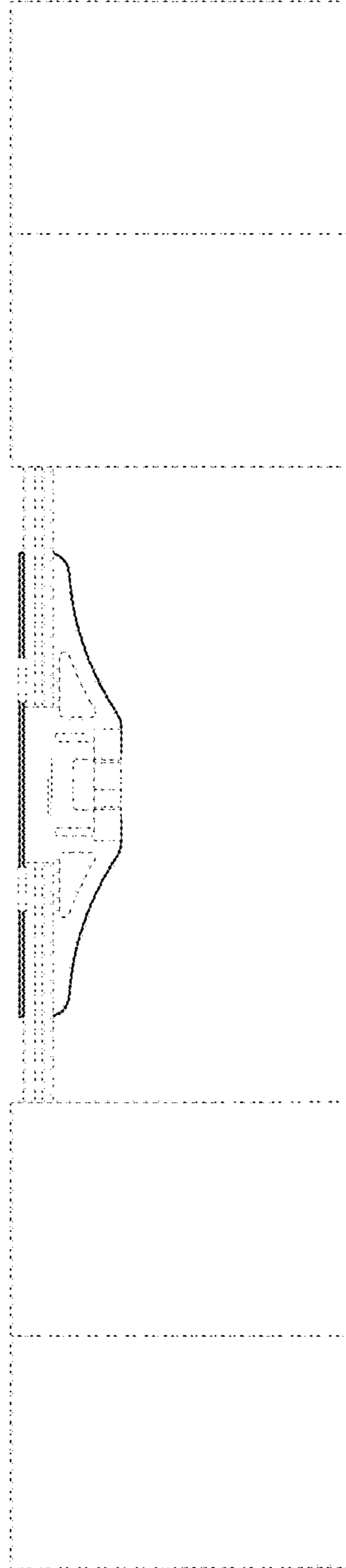


Fig. 3

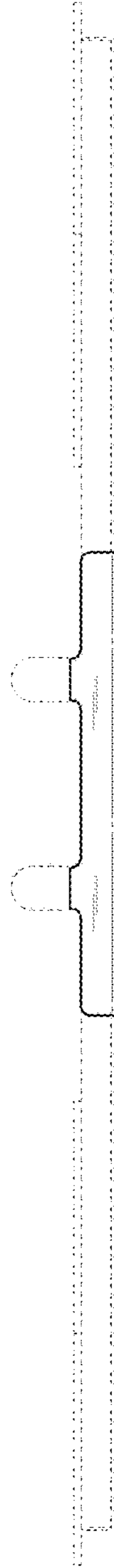


Fig. 4



Fig. 5

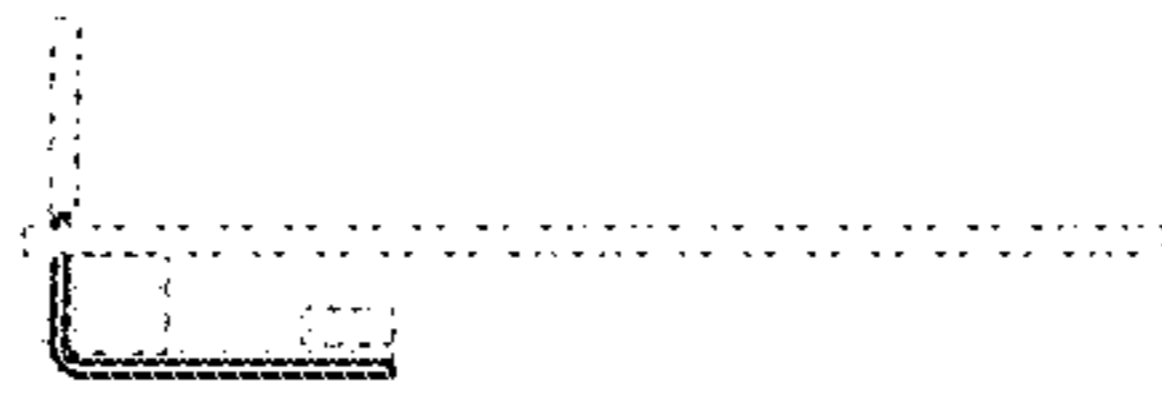


Fig. 6