



US00D843285S

(12) **United States Design Patent** (10) **Patent No.:** **US D843,285 S**
Wock et al. (45) **Date of Patent:** **** Mar. 19, 2019**

(54) **MUD FLAP APPARATUS**
(71) Applicant: **Agri-Cover, Inc.**, Jamestown, ND (US)
(72) Inventors: **Shawn J. Wock**, Buchanan, ND (US);
Charles M. Schmeichel, Jamestown,
ND (US)
(73) Assignee: **Agri-Cover, Inc.**, Jamestown, ND (US)
(**) Term: **15 Years**

D308,958 S * 7/1990 Knox D12/185
5,026,094 A 6/1991 Haddox
5,121,944 A 6/1992 Haddox
D328,447 S * 8/1992 Ahleen D12/185
D330,692 S * 11/1992 Hammond, Jr. D12/185
D340,019 S * 10/1993 Yoder D12/223
D362,226 S * 9/1995 Sacks D12/185
D391,150 S * 2/1998 Anderson D8/394
5,727,805 A 3/1998 La Roque
5,938,222 A 8/1999 Huang
D415,086 S * 10/1999 Larkin D12/185
(Continued)

(21) Appl. No.: **29/589,044**
(22) Filed: **Dec. 27, 2016**
(51) **LOC (11) Cl.** **12-16**
(52) **U.S. Cl.**
USPC **D12/185**
(58) **Field of Classification Search**
USPC D12/90, 91, 92, 93, 96, 181, 184, 185,
D12/196, 202; D6/323, 567; D8/353,
D8/366, 367, 373, 394; D24/127, 128
CPC B60D 1/58; B60D 25/182; B60D 25/188;
B62D 25/188
See application file for complete search history.

OTHER PUBLICATIONS

Agri-Cover, Inc., "Rockstar mudflap instruction manual 80707 rev Jul. 9, 2013", published on Jul. 9, 2013 by Agri-Cover, Inc., Jamestown, ND, USA.

(Continued)

Primary Examiner — Darlington Ly
(74) *Attorney, Agent, or Firm* — Robert C. Freed;
Dykema Gossett PLLC

(57) **CLAIM**

The ornamental design for a mud flap apparatus, as shown and described.

(56) **References Cited**

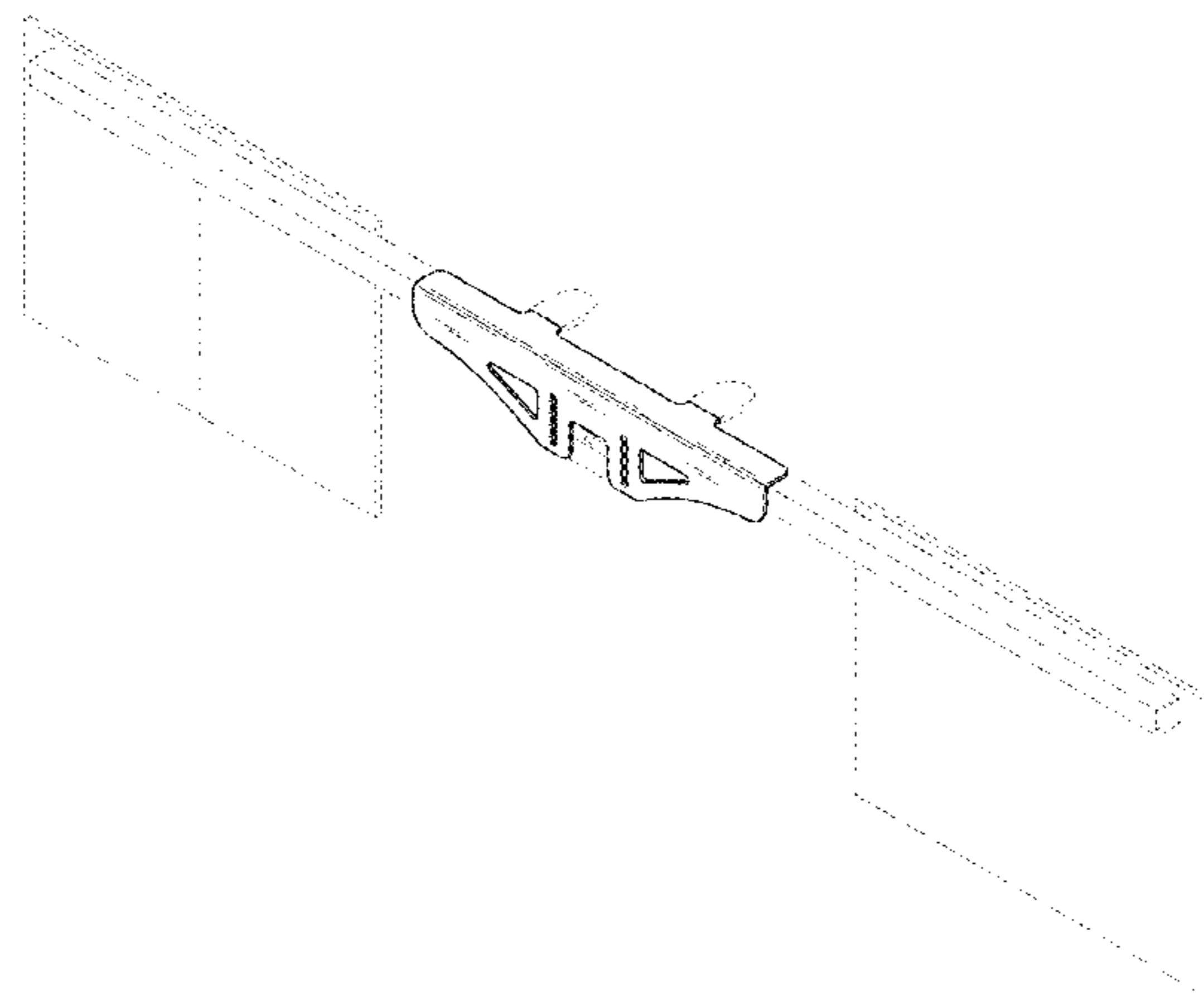
U.S. PATENT DOCUMENTS

3,782,757 A * 1/1974 Juergens B62D 25/163
280/851
3,877,722 A * 4/1975 Conner B62D 25/188
280/154
3,934,901 A * 1/1976 Hammerly B62D 25/188
280/851
D249,500 S * 9/1978 Cox D12/185
4,326,727 A * 4/1982 Rock B62D 25/18
248/316.7
4,627,594 A * 12/1986 Reed B62D 25/188
248/632
4,726,599 A * 2/1988 Antekeier B62D 25/188
280/851

DESCRIPTION

FIG. 1 is a perspective view of a mud flap apparatus showing our new design;
FIG. 2 is a front elevational view thereof;
FIG. 3 is a rear elevational view thereof;
FIG. 4 is a top plan view thereof;
FIG. 5 is a bottom plan view thereof; and,
FIG. 6 is a right side elevational view thereof, which is a mirror image of the left side elevational view thereof.
The broken lines in the drawings illustrate portions of the mud flap apparatus and exemplary mud flaps with a bracket bar that form no part of the claimed design.

1 Claim, 6 Drawing Sheets



(56)

References Cited

U.S. PATENT DOCUMENTS

5,967,553 A * 10/1999 Cominsky B62D 25/188
280/154
6,076,842 A 6/2000 Knoer
6,179,311 B1 * 1/2001 Larkin B62D 25/188
280/154
6,375,223 B1 4/2002 Kirckof
6,485,059 B2 11/2002 Burnstein
6,527,288 B2 3/2003 Abercrombie
D484,399 S * 12/2003 Arthur D8/394
6,942,252 B2 9/2005 Buuck
6,994,376 B1 * 2/2006 Deering B62D 25/188
280/154
7,407,194 B1 8/2008 Alley
7,607,698 B2 10/2009 Cicansky
7,931,302 B2 4/2011 Vaughn
D657,054 S * 4/2012 Bacon D24/128
D695,173 S * 12/2013 Sperry D12/185
8,668,227 B1 3/2014 Peotter et al.

D727,716 S * 4/2015 Langle D8/355
D735,017 S * 7/2015 Langle D8/355
9,387,888 B2 7/2016 Schmeichel et al.
9,422,009 B2 * 8/2016 Schmeichel B60D 1/58
9,724,974 B2 * 8/2017 Schmeichel B60D 1/58
2002/0185853 A1 12/2002 Gaudet
2006/0048993 A1 3/2006 Karube et al.
2006/0048994 A1 3/2006 Young et al.
2007/0102917 A1 5/2007 Hopkins
2007/0216128 A1 * 9/2007 Morton B62D 25/188
280/154
2008/0277895 A1 11/2008 Cicansky
2009/0194967 A1 8/2009 Vaughn

OTHER PUBLICATIONS

Agri-Cover, Inc., "Rockstar XL mudflap instruction manual 80707_L
rev Jan. 12, 2015", published on Jan. 12, 2015 by Agri-Cover, Inc.,
Jamestown, ND, USA.

* cited by examiner

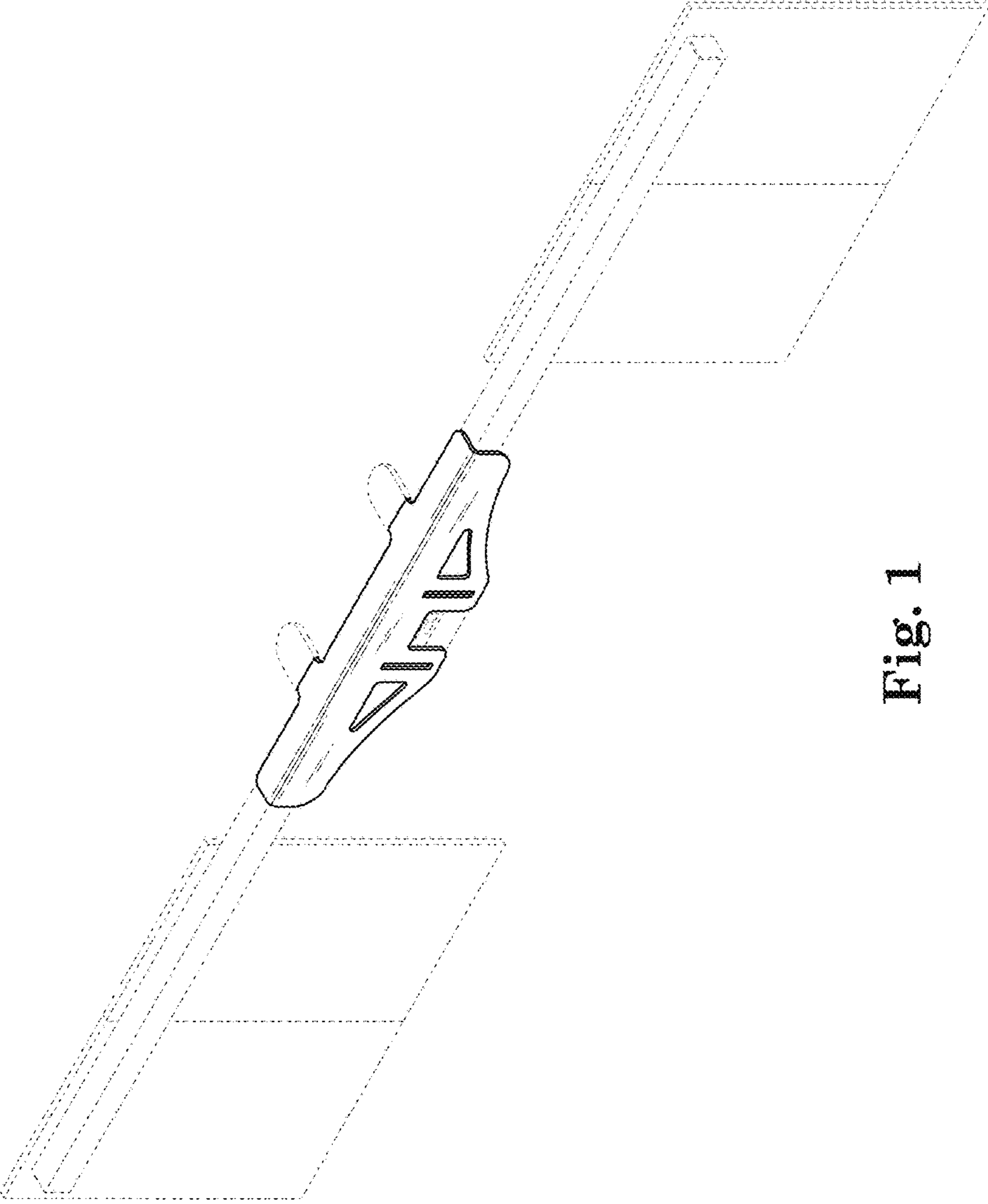


Fig. 1

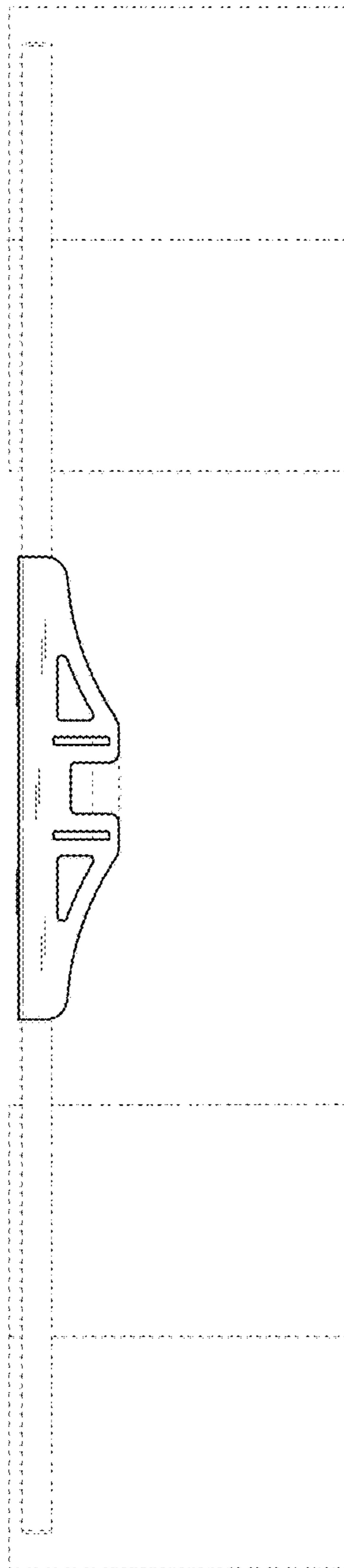


Fig. 2

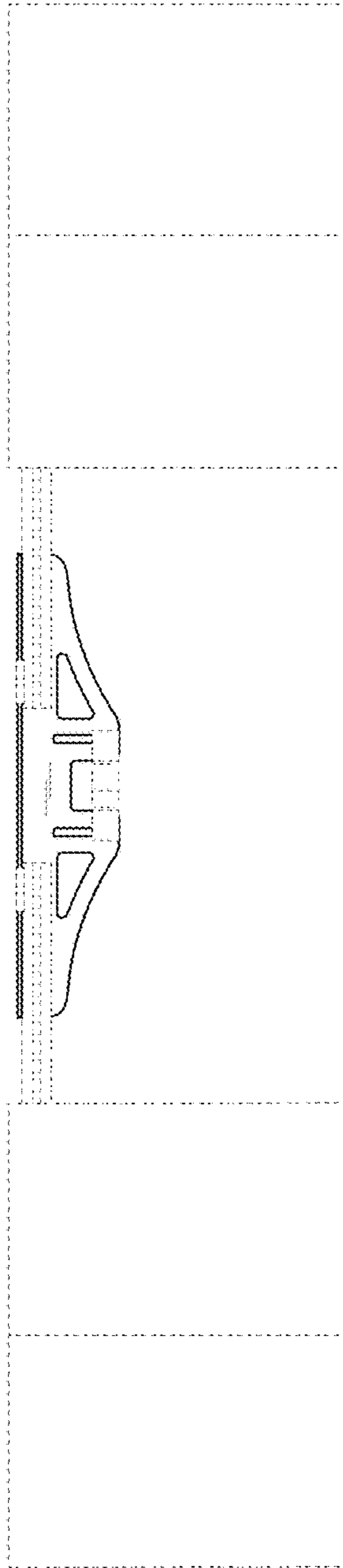


Fig. 3

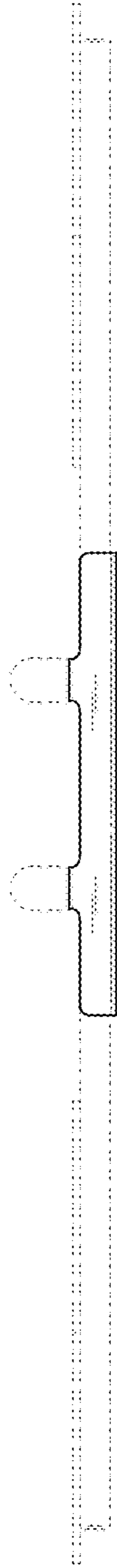


Fig. 4



Fig. 5

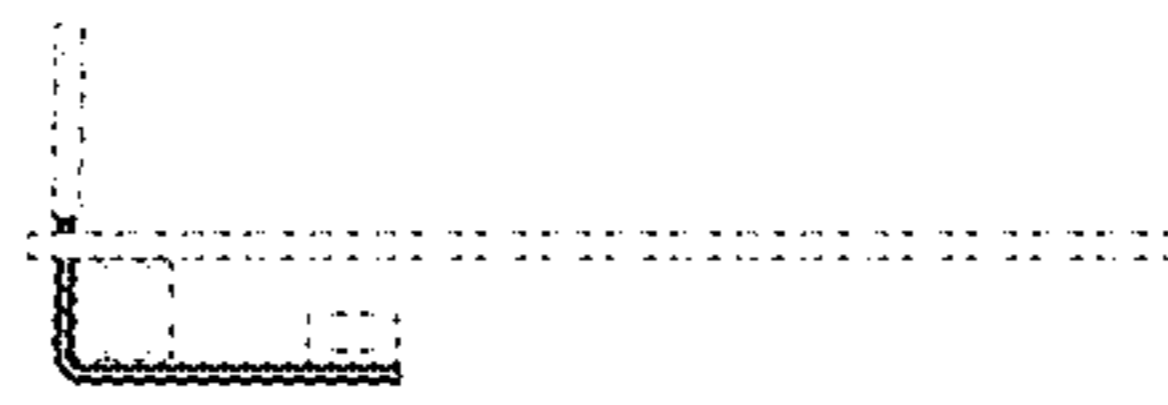


Fig. 6