



US00D843281S

(12) **United States Design Patent**  
**Gander et al.**

(10) **Patent No.:** **US D843,281 S**  
(45) **Date of Patent:** **\*\* Mar. 19, 2019**

- (54) **VEHICLE HOOD**
- (71) Applicant: **Oshkosh Corporation**, Oshkosh, WI (US)
- (72) Inventors: **Jesse Gander**, Oshkosh, WI (US);  
**Christopher Yakes**, Oshkosh, WI (US)
- (73) Assignee: **Oshkosh Corporation**, Oshkosh, WI (US)
- (\*\*) Term: **15 Years**
- (21) Appl. No.: **29/621,958**
- (22) Filed: **Oct. 12, 2017**

- 4,492,282 A 1/1985 Appelblatt et al.
- 5,111,901 A 5/1992 Bachhuber et al.
- 5,209,003 A 5/1993 Maxfield et al.
- 5,217,083 A 6/1993 Bachhuber et al.
- 5,533,781 A 7/1996 Williams
- 5,538,274 A 7/1996 Schmitz et al.
- 5,663,520 A 9/1997 Ladika et al.
- 5,820,150 A 10/1998 Archer et al.
- D400,835 S 11/1998 Le Quement et al.
- 5,897,123 A 4/1999 Cherney et al.
- 5,900,199 A 5/1999 Dickson et al.
- 6,105,984 A 8/2000 Schmitz et al.
- 6,421,593 B1 7/2002 Kempen et al.
- 6,516,914 B1 2/2003 Andersen et al.
- 6,520,494 B1 2/2003 Andersen et al.
- 6,553,290 B1 4/2003 Pillar

(Continued)

*Primary Examiner* — Susan Bennett Hattan  
*Assistant Examiner* — Suzanne E Tisdell  
 (74) *Attorney, Agent, or Firm* — Foley & Lardner LLP

**Related U.S. Application Data**

- (63) Continuation of application No. 15/599,174, filed on May 18, 2017, which is a continuation of application No. 14/724,279, filed on May 28, 2015, now Pat. No. 9,656,640, application No. 29/621,958, which is a continuation of application No. 14/612,100, filed on Feb. 2, 2015, now Pat. No. 9,829,282, which is a continuation of application No. 13/841,686, filed on Mar. 15, 2013, now Pat. No. 9,045,014, which is a continuation of application No. 13/629,009, filed on Sep. 27, 2012, now Pat. No. 8,943,946.
- (51) **LOC (11) Cl.** ..... **12-16**
- (52) **U.S. Cl.**  
USPC ..... **D12/173**
- (58) **Field of Classification Search**  
USPC .... D12/86, 91, 93, 163, 164, 166, 167, 169,  
D12/171, 172, 173, 190, 216  
CPC ..... B62D 25/08; B62B 9/16; B60K 11/08;  
B60R 19/52  
See application file for complete search history.

- (56) **References Cited**  
U.S. PATENT DOCUMENTS

3,131,963 A 5/1964 Schilberg  
 4,326,445 A 4/1982 Bemiss

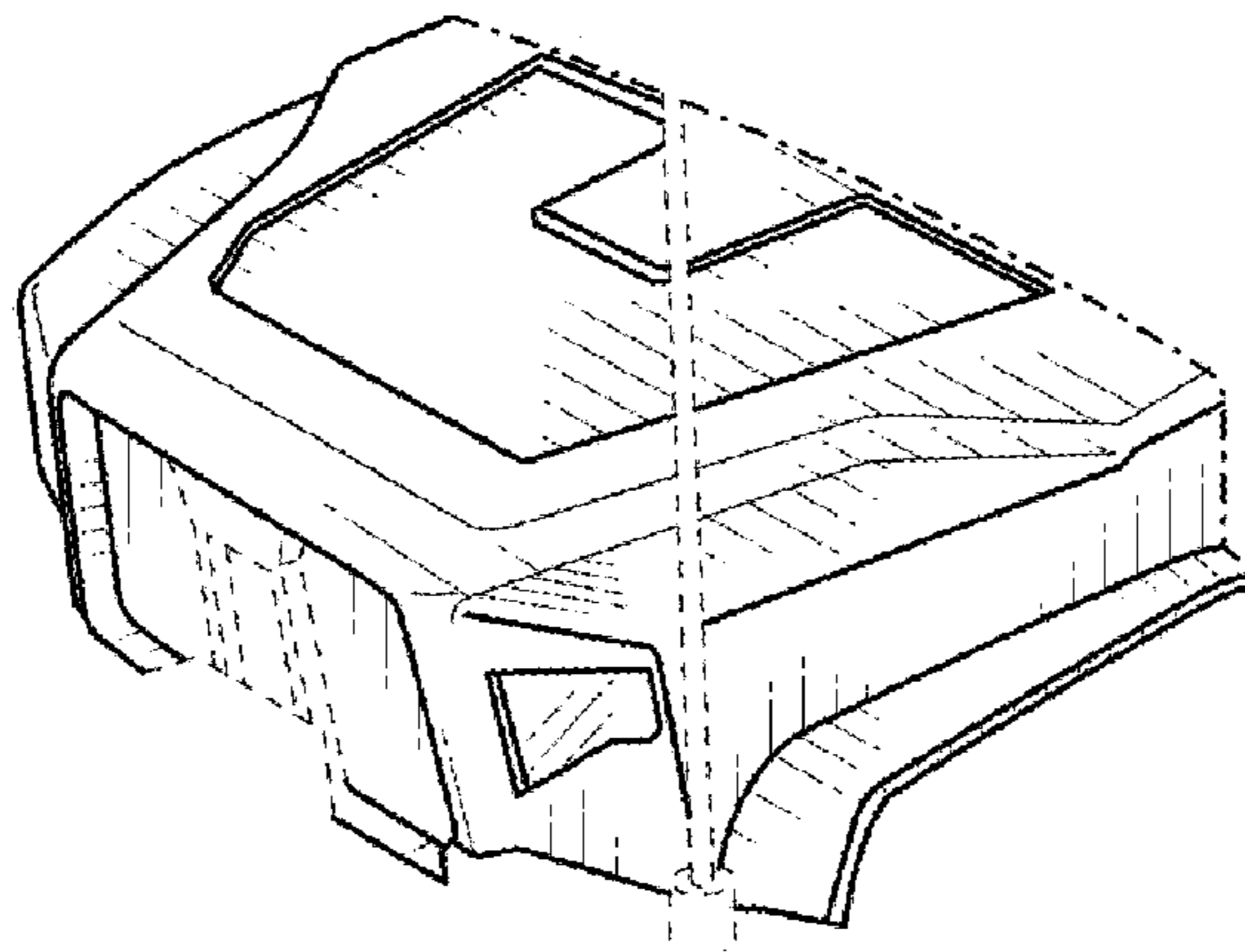
(57) **CLAIM**

We claim the ornamental design for a vehicle hood, as shown and described.

**DESCRIPTION**

FIG. 1 is a front perspective view of the claimed design;  
 FIG. 2 is a front view of the claimed design;  
 FIG. 3 is a rear view of the claimed design;  
 FIG. 4 is a left side view of the claimed design;  
 FIG. 5 is a right side view of the claimed design;  
 FIG. 6 is a top view of the claimed design;  
 FIG. 7 is a bottom view of the claimed design;  
 FIG. 8 is a second front perspective view of the claimed design; and,  
 FIG. 9 is a detailed front perspective view of the claimed design.  
 Evenly-spaced broken lines depict unclaimed environmental subject matter. Dot-dash broken lines depict unclaimed boundaries of the claimed design.

**1 Claim, 9 Drawing Sheets**



(56)

## References Cited

## U.S. PATENT DOCUMENTS

6,561,718	B1	5/2003	Archer et al.
6,658,984	B2	12/2003	Zonak
6,757,597	B2	6/2004	Yakes et al.
6,764,085	B1	7/2004	Anderson
6,779,806	B1	8/2004	Breitbach et al.
6,882,917	B2	4/2005	Pillar et al.
6,883,815	B2	4/2005	Archer
6,885,920	B2	4/2005	Yakes et al.
6,909,944	B2	6/2005	Pillar et al.
6,922,615	B2	7/2005	Pillar et al.
6,976,688	B2	12/2005	Archer et al.
6,993,421	B2	1/2006	Pillar et al.
7,006,902	B2	2/2006	Archer et al.
7,024,296	B2	4/2006	Squires et al.
7,072,745	B2	7/2006	Pillar et al.
7,073,620	B2	7/2006	Braun et al.
7,107,129	B2	9/2006	Rowe et al.
7,114,764	B1	10/2006	Barsoum et al.
7,127,331	B2	10/2006	Pillar et al.
D533,485	S	12/2006	Schiavone et al.
D535,589	S	1/2007	Lau et al.
7,162,332	B2	1/2007	Pillar et al.
7,164,977	B2	1/2007	Yakes et al.
7,184,662	B2	2/2007	Arbel et al.
7,184,862	B2	2/2007	Pillar et al.
7,184,866	B2	2/2007	Squires et al.
7,207,582	B2	4/2007	Siebers et al.
7,254,468	B2	8/2007	Pillar et al.
7,258,194	B2	8/2007	Braun et al.
7,267,394	B1	9/2007	Mouch et al.
7,270,346	B2	9/2007	Rowe et al.
7,274,976	B2	9/2007	Rowe et al.
7,277,782	B2	10/2007	Yakes et al.
7,302,320	B2	11/2007	Nasr et al.
7,357,203	B2	4/2008	Morrow et al.
7,379,797	B2	5/2008	Nasr et al.
7,392,122	B2	6/2008	Pillar et al.
7,412,307	B2	8/2008	Pillar et al.
7,419,021	B2	9/2008	Morrow et al.
7,439,711	B2	10/2008	Bolton
7,448,460	B2	11/2008	Morrow et al.
7,451,028	B2	11/2008	Pillar et al.
7,472,914	B2	1/2009	Anderson et al.
7,520,354	B2	4/2009	Morrow et al.
7,522,979	B2	4/2009	Pillar
7,555,369	B2	6/2009	Pillar et al.
7,594,561	B2	9/2009	Hass et al.
7,689,332	B2	3/2010	Yakes et al.
7,695,053	B1	4/2010	Boczek et al.
7,711,460	B2	5/2010	Yakes et al.
7,715,962	B2	5/2010	Rowe et al.
7,725,225	B2	5/2010	Pillar et al.
7,729,831	B2	6/2010	Pillar et al.
7,756,621	B2	7/2010	Pillar et al.
7,770,506	B2	8/2010	Johnson et al.
7,792,618	B2	9/2010	Quigley et al.
D627,686	S	11/2010	Thompson et al.
7,835,838	B2	11/2010	Pillar et al.
7,848,857	B2	12/2010	Nasr et al.
7,905,534	B2	3/2011	Boczek et al.
7,905,540	B2	3/2011	Kiley et al.
7,908,959	B2	3/2011	Pavon
D636,305	S	4/2011	Alvarez et al.
7,931,103	B2	4/2011	Morrow et al.
7,934,766	B2	5/2011	Boczek et al.
D642,099	S	7/2011	Nagao et al.
8,000,850	B2	8/2011	Nasr et al.
D646,203	S	10/2011	Thompson et al.
D646,607	S	10/2011	Verhee et al.
D649,908	S	12/2011	Mullen
D649,909	S	12/2011	Mullen
8,095,247	B2	1/2012	Pillar et al.
D655,226	S	3/2012	Hanson et al.
8,139,109	B2	3/2012	Schmiedel et al.
D661,231	S	6/2012	Galante et al.
D662,865	S	7/2012	Van Braeckel
8,333,390	B2	12/2012	Linsmeier et al.
8,376,077	B2	2/2013	Venton-Walters
8,402,878	B2	3/2013	Schreiner et al.
8,430,196	B2	4/2013	Halliday
8,459,619	B2	6/2013	Trinh et al.
8,465,025	B2	6/2013	Venton-Walters et al.
D686,121	S	7/2013	McCabe et al.
8,561,735	B2	10/2013	Morrow et al.
8,578,834	B2	11/2013	Tunis et al.
8,596,648	B2	12/2013	Venton-Walters et al.
D698,281	S	1/2014	Badstuebner et al.
D702,615	S	4/2014	Conway et al.
8,764,029	B2	7/2014	Venton-Walters et al.
8,801,017	B2	8/2014	Ellifson et al.
8,863,884	B2	10/2014	Jacob-Lloyd
8,921,130	B2	12/2014	Kundaliya et al.
8,943,946	B1	2/2015	Richmond et al.
8,947,531	B2	2/2015	Fischer et al.
8,955,859	B1	2/2015	Richmond et al.
8,967,699	B1	3/2015	Richmond et al.
8,991,834	B2	3/2015	Venton-Walters et al.
8,991,840	B2	3/2015	Zuleger et al.
9,016,703	B2	4/2015	Rowe et al.
9,045,014	B1	6/2015	Verhoff et al.
D743,308	S	11/2015	Hanson et al.
D743,856	S	11/2015	Ma
9,174,686	B1	11/2015	Messina et al.
D749,464	S	2/2016	Giolito
9,328,986	B1	5/2016	Pennau et al.
D765,566	S	9/2016	Vena et al.
D775,021	S	12/2016	Harriton et al.
D777,615	S	1/2017	Hanson et al.
D778,217	S	2/2017	Ito et al.
D784,219	S	4/2017	Jung
D787,993	S	5/2017	McCabe et al.
2001/0015559	A1	8/2001	Storer
2002/0129696	A1	9/2002	Pek et al.
2004/0130168	A1	7/2004	O'Connell
2005/0284682	A1	12/2005	Hass et al.
2006/0021764	A1	2/2006	Archer et al.
2007/0088469	A1	4/2007	Schmiedel et al.
2007/0186762	A1	8/2007	Dehart et al.
2009/0174158	A1	7/2009	Anderson et al.
2010/0019538	A1	1/2010	Kiley et al.
2010/0163330	A1	7/2010	Halliday
2010/0218667	A1	9/2010	Naroditsky et al.
2010/0319525	A1	12/2010	Pavon
2011/0079978	A1	4/2011	Schreiner et al.
2011/0120791	A1	5/2011	Greenwood et al.
2014/0151142	A1	6/2014	Hoppe et al.
2015/0224847	A1	8/2015	Rowe et al.



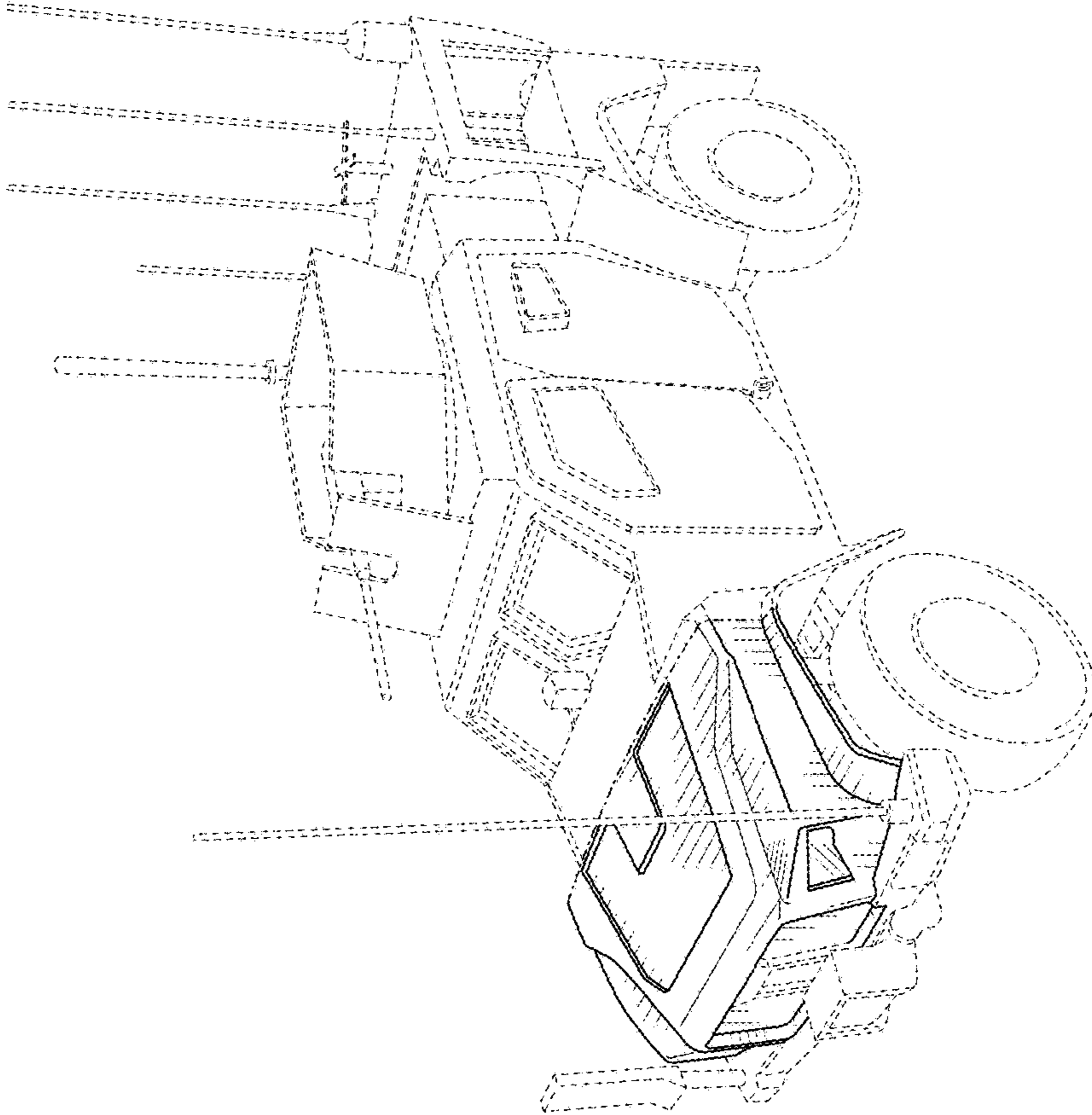


FIG. 1

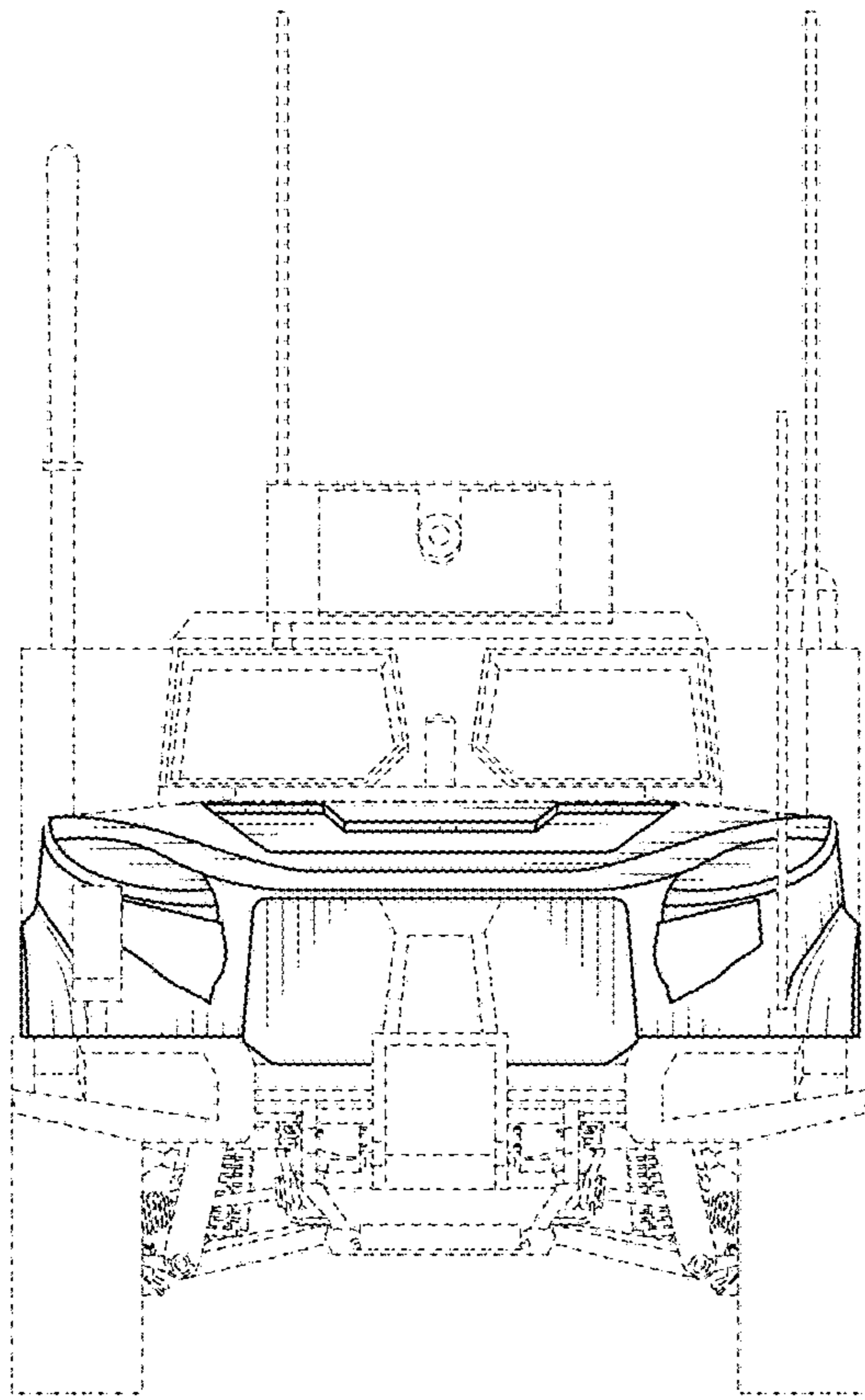


FIG. 2

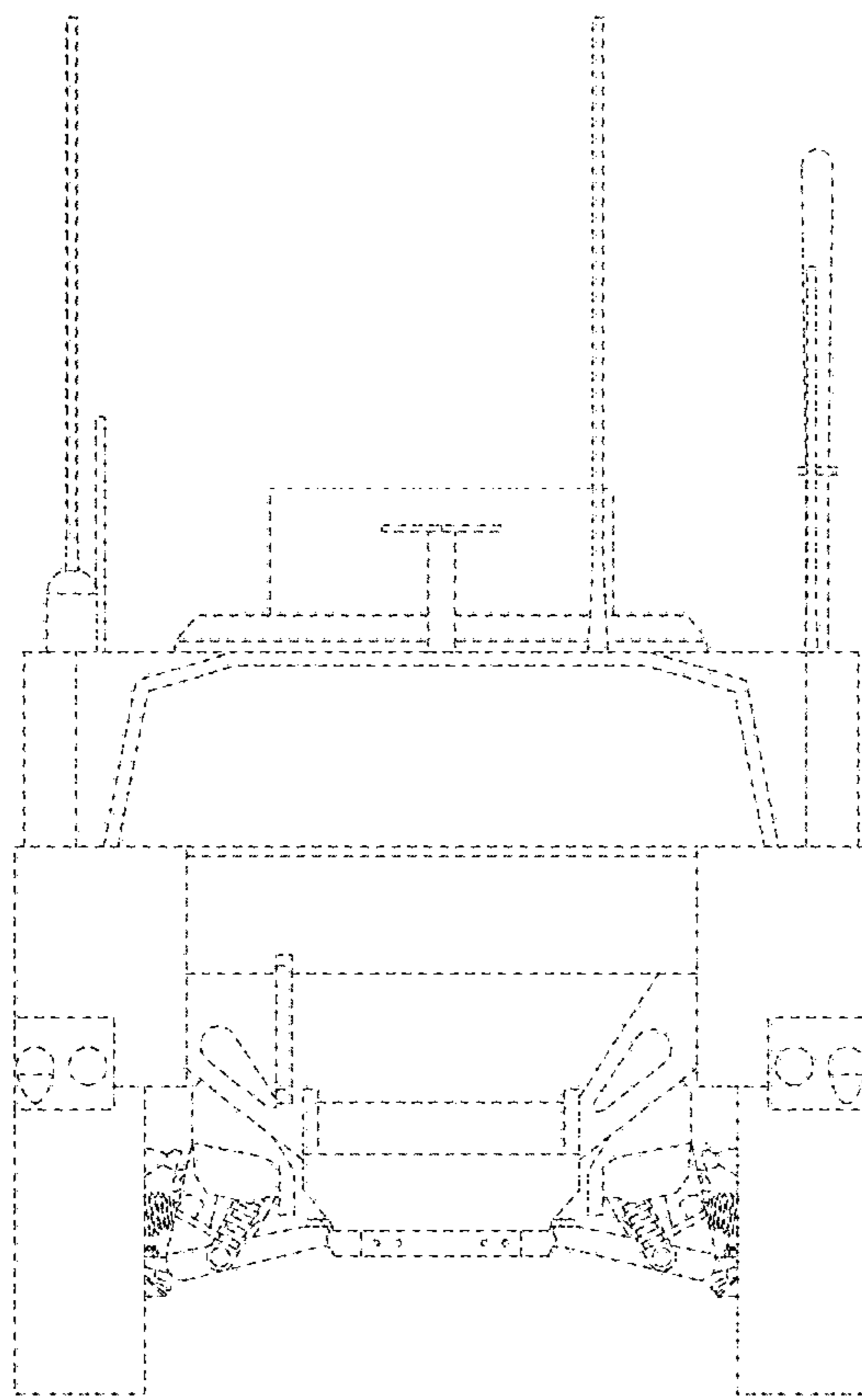


FIG. 3

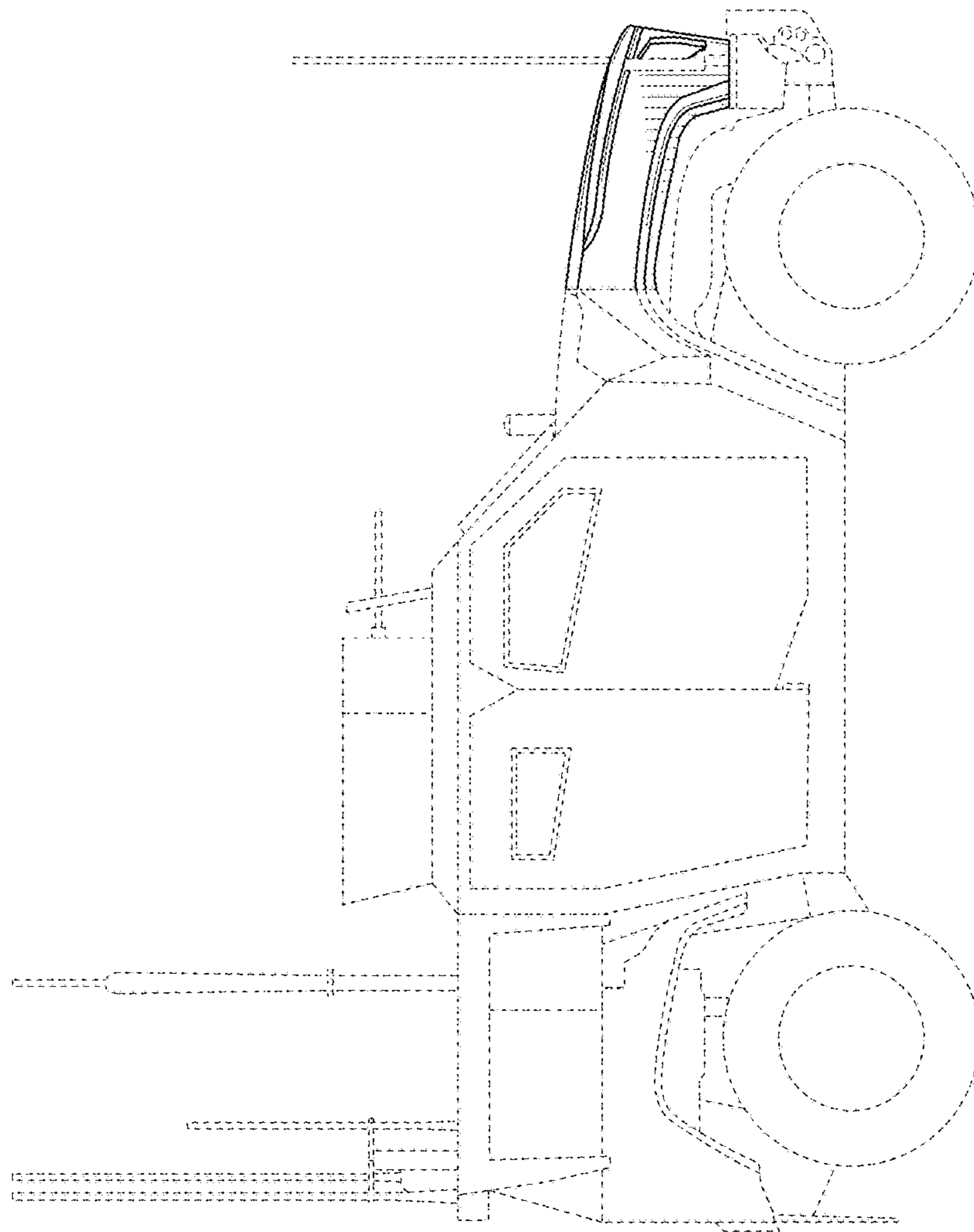


FIG. 4

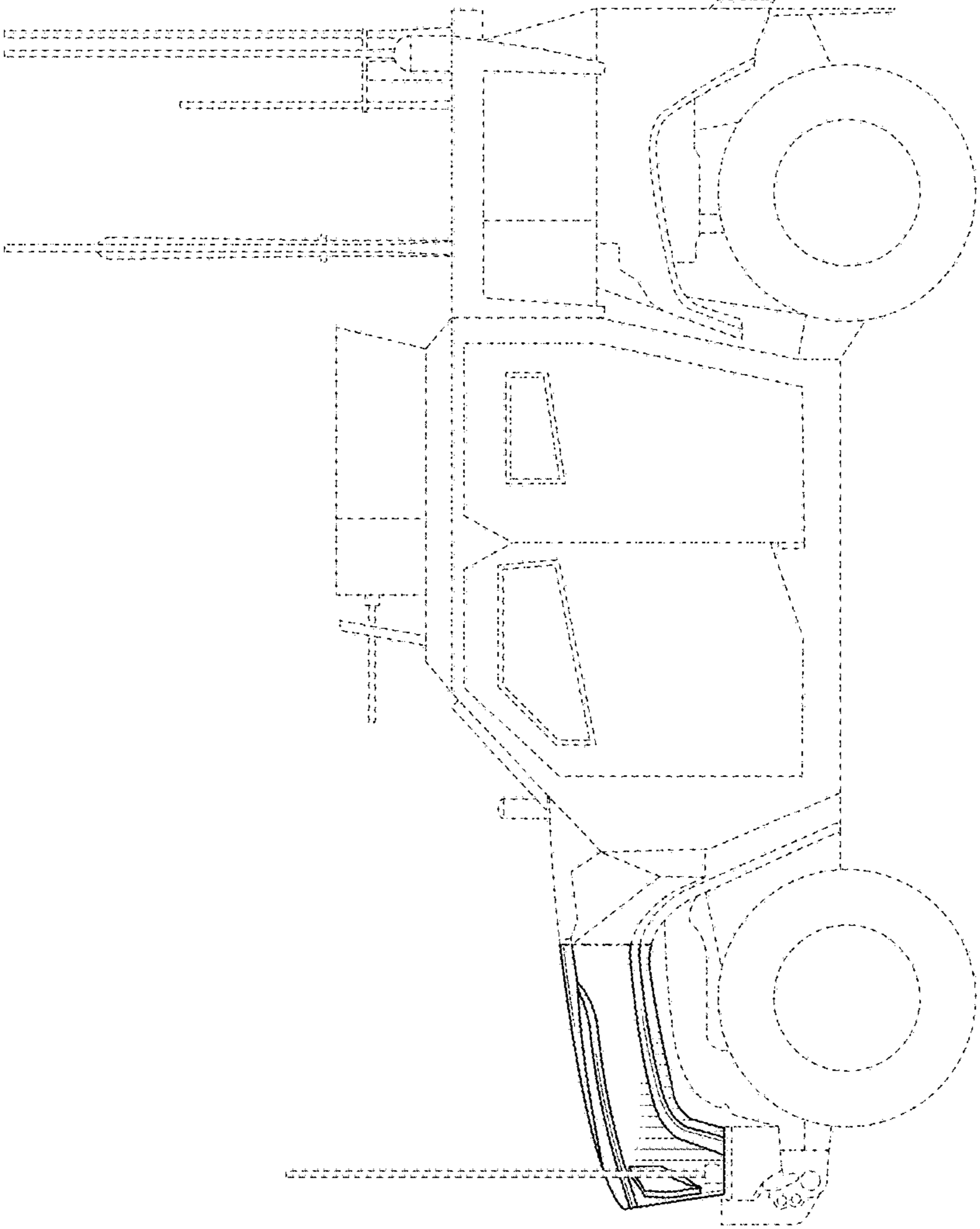


FIG. 5

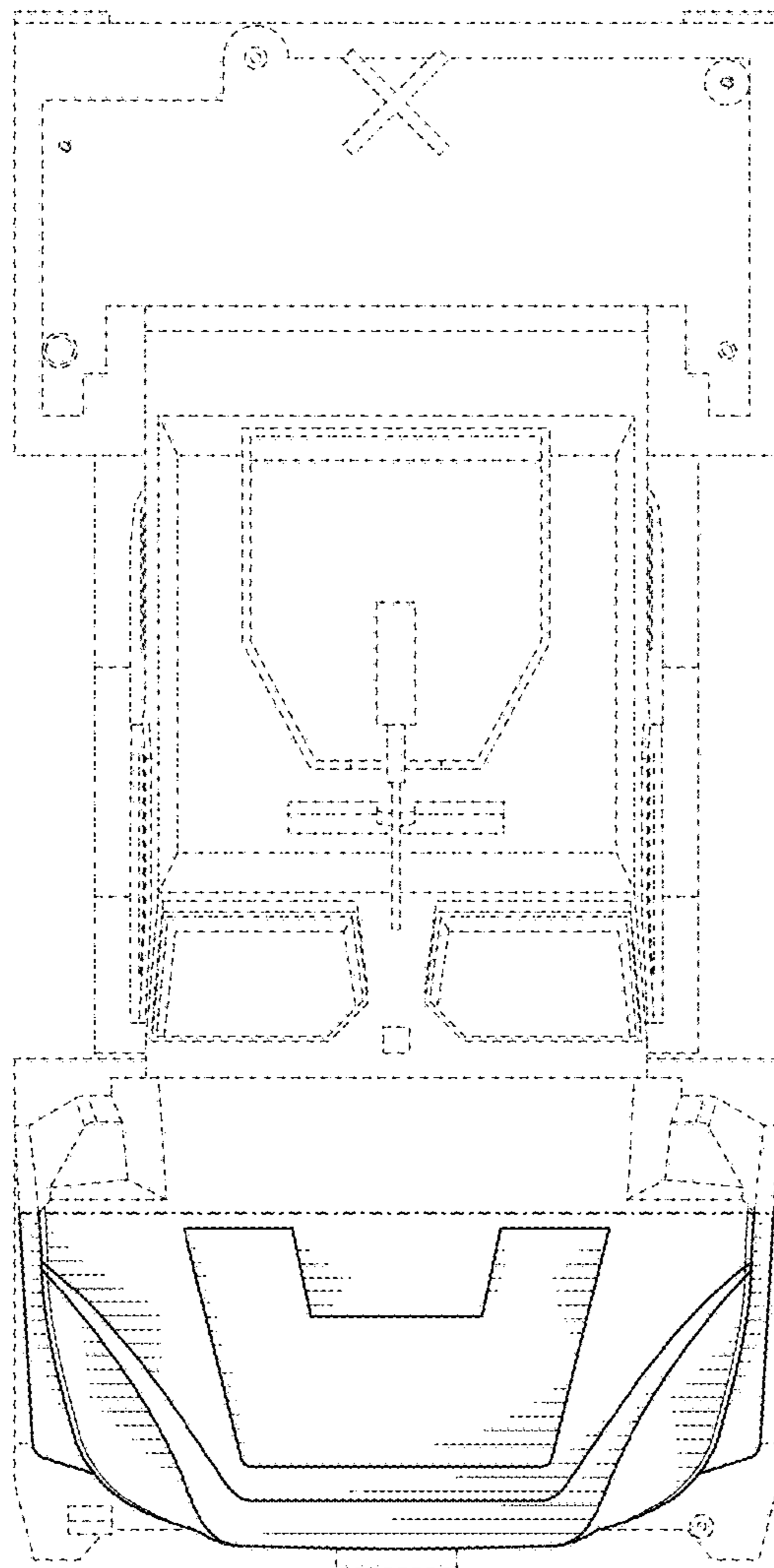


FIG. 6



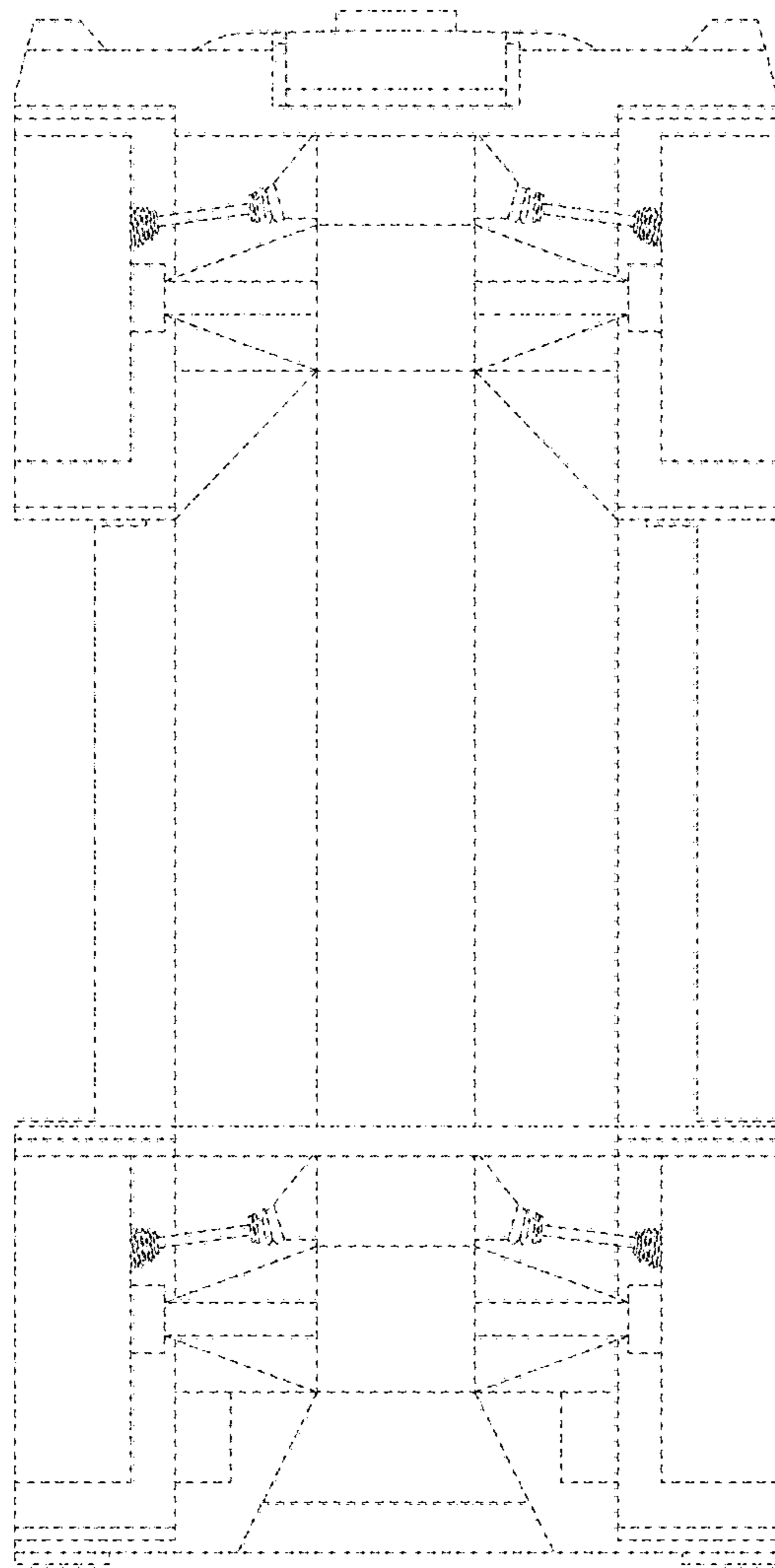


FIG. 7

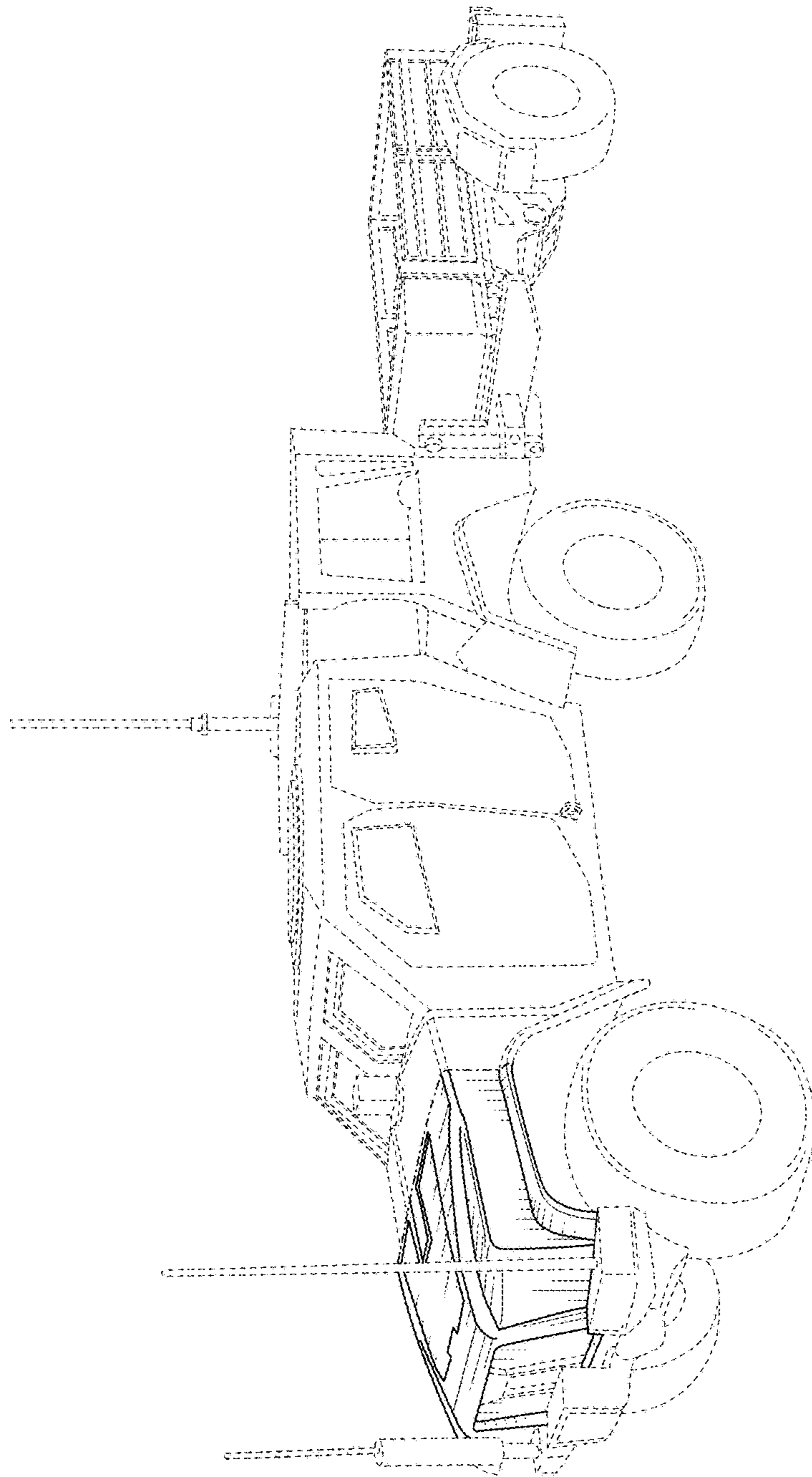


FIG. 8

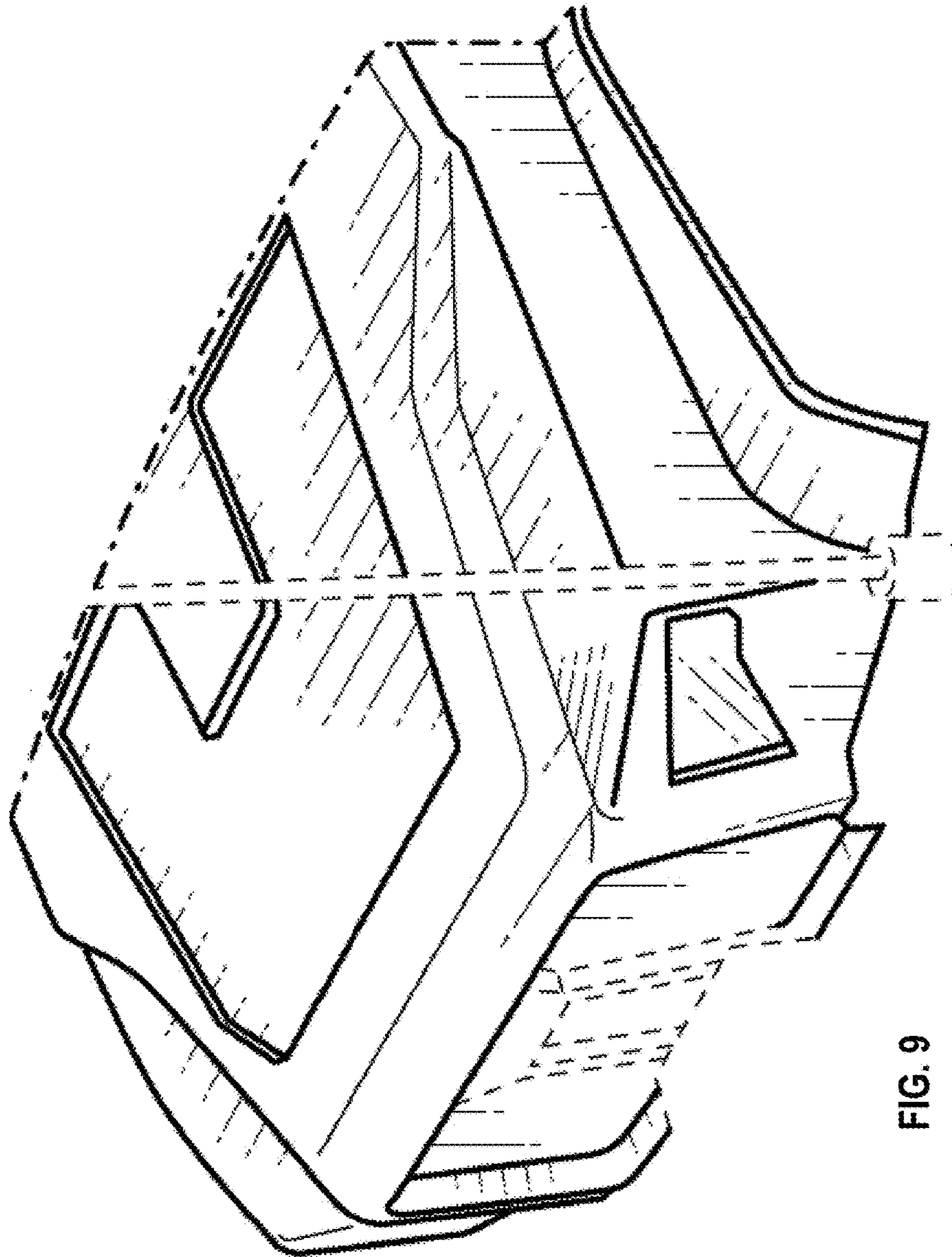


FIG. 9