



US00D843279S

(12) **United States Design Patent** (10) **Patent No.:** **US D843,279 S**
Jevremovic et al. (45) **Date of Patent:** **** Mar. 19, 2019**

(54) **REAR BUMPER FOR A MOTOR VEHICLE**

(71) Applicants: **Miljan Jevremovic**, Farmington, MI
(US); **Pansoo Kwon**, Okazaki (JP)

(72) Inventors: **Miljan Jevremovic**, Farmington, MI
(US); **Pansoo Kwon**, Okazaki (JP)

(73) Assignee: **Toyota Jidosha Kabushiki Kaisha**,
Toyota-shi, Aichi-ken (JP)

(**) Term: **15 Years**

(21) Appl. No.: **29/631,878**

(22) Filed: **Jan. 3, 2018**

Related U.S. Application Data

(62) Division of application No. 29/577,801, filed on Sep.
15, 2016.

(51) **LOC (11) Cl.** **12-16**

(52) **U.S. Cl.**
USPC **D12/169**

(58) **Field of Classification Search**
USPC D12/169, 102, 113, 115, 117, 120;
296/180.1, 180.2

CPC B60R 19/02; B60R 19/04; B62D 25/08
See application file for complete search history.

(56) **References Cited**

U.S. PATENT DOCUMENTS

D592,567 S *	5/2009	Saracoglu	D12/169
D614,091 S *	4/2010	Ectors	D12/169
D617,698 S *	6/2010	Lamm	D12/169
D721,306 S *	1/2015	George	D12/169
D725,009 S *	3/2015	Hirai	D12/169
D735,097 S *	7/2015	Nissl	D12/169
D748,544 S *	2/2016	Nissl	D12/169
D772,123 S *	11/2016	Zurian	D12/169
D782,373 S *	3/2017	Curic	D12/169

D796,395 S *	9/2017	Kojima	D12/169
D800,034 S *	10/2017	Kojima	D12/169
D802,500 S *	11/2017	Han	D12/169
D808,871 S *	1/2018	Peat	D12/169
D810,637 S *	2/2018	Wheel	D12/169
D813,743 S *	3/2018	Lee	D12/169
D824,298 S *	7/2018	Cartabiano	D12/169
D824,301 S *	7/2018	Lim	D12/169
D827,517 S *	9/2018	Whang	D12/169

OTHER PUBLICATIONS

Netcarshow.com, URL: <https://www.netcarshow.com/toyota/2016-avalon/>; Model; Toyota Avalon (2016); Mfg.: Toyota; available on at least Jun. 3, 2015.

(Continued)

Primary Examiner — Melody N Brown

(74) *Attorney, Agent, or Firm* — Finnegan, Henderson, Farabow, Garrett & Dunner, L.L.P.

(57) **CLAIM**

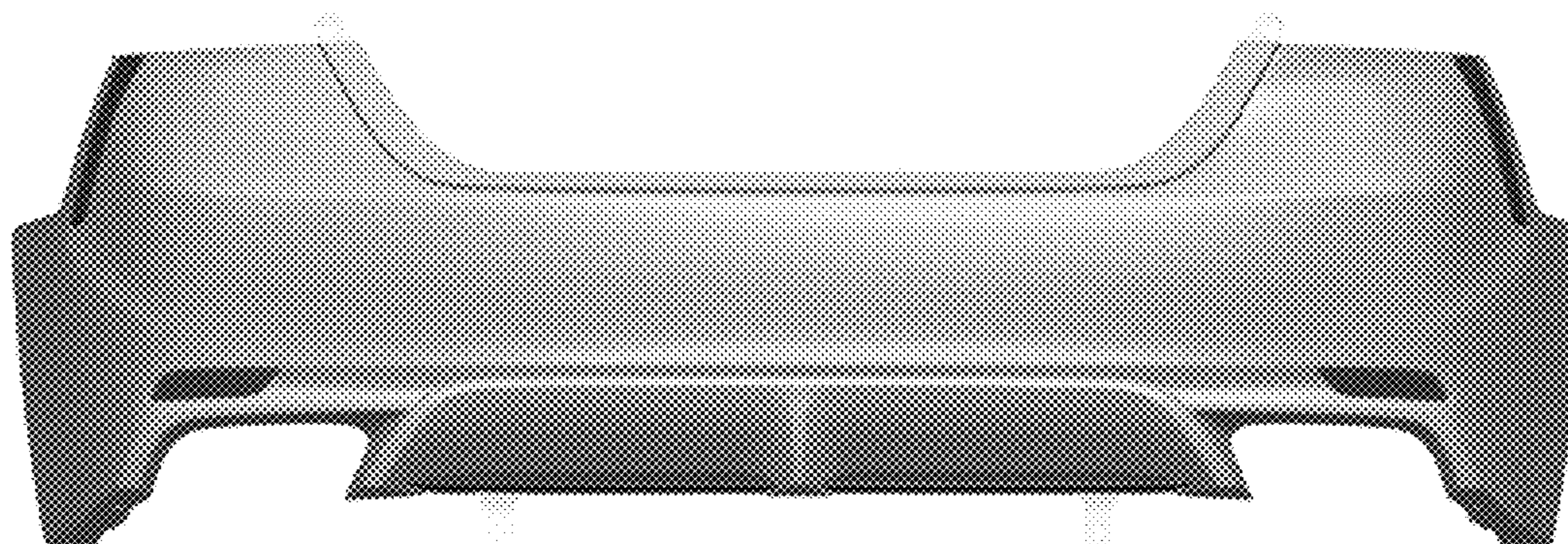
The ornamental design for a rear bumper for a motor vehicle, as shown and described.

DESCRIPTION

FIG. 1 is a front perspective view of a rear bumper for a motor vehicle showing our new design; FIG. 2 is a front view thereof; FIG. 3 is a rear view thereof; FIG. 4 is a right side view thereof; FIG. 5 is a left side view thereof; FIG. 6 is a top plan view thereof; and, FIG. 7 is a bottom view thereof.

The de-emphasized and halftone portions shown in the photographs illustrate environmental structure of the rear bumper for a motor vehicle that forms no part of the claimed design.

1 Claim, 7 Drawing Sheets



(56)

References Cited

OTHER PUBLICATIONS

Netcarshow.com, URL: <https://www.netcarshow.com/lexus/2015-nx/>; Model: Lexus NX (2015); Mfg.: Toyota; available on at least Jun. 3, 2015.

Netcarshow.com, URL: https://www.netcarshow.com/lexus/2015-rc_f/; Model: Lexus RC F (2015); Mfg.: Toyota; available on at least Jun. 4, 2015.

Netcarshow.com, URL: https://www.netcarshow.com/mercedes-benz/2015-s63_amg_coupe/; Model: Mercedes-Benz S63 AMG Coupe (2015); available on at least Jun. 4, 2015.

* cited by examiner

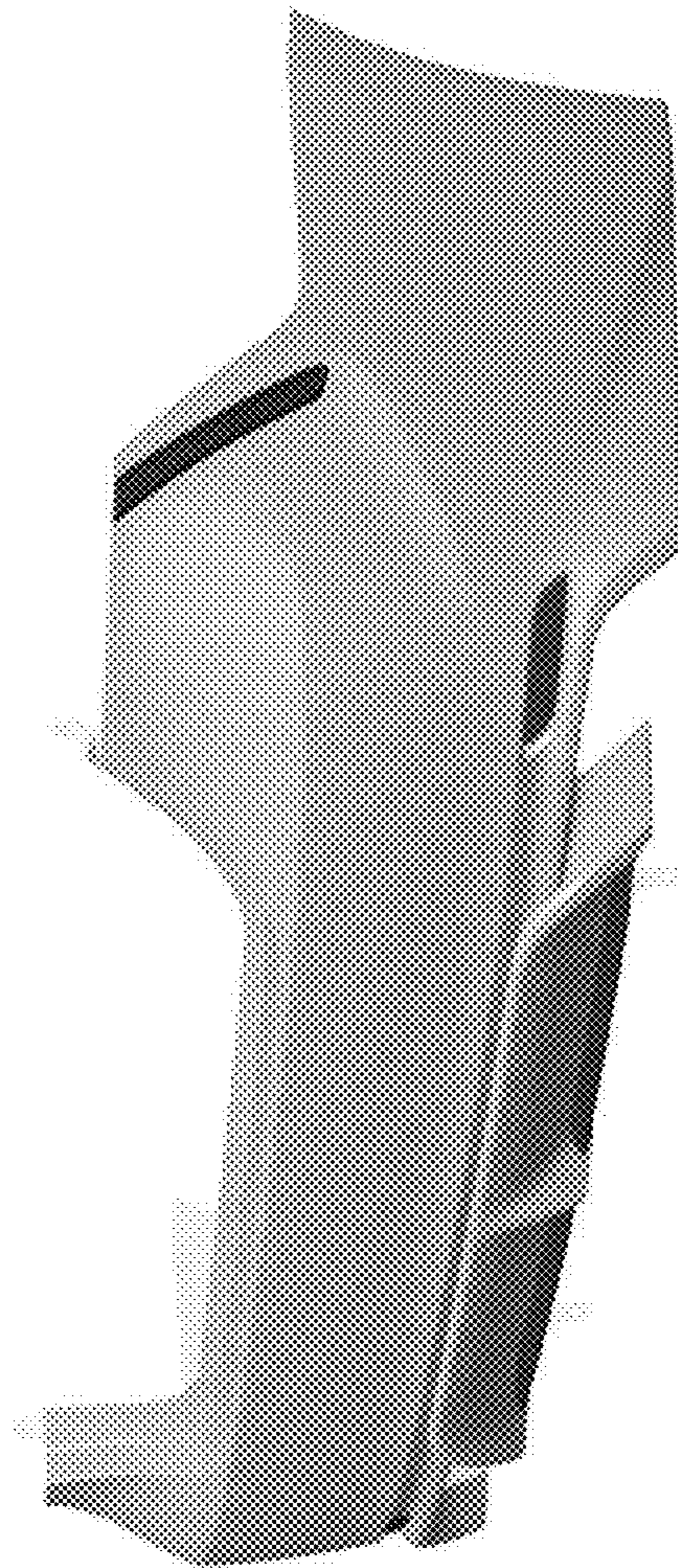


FIG. 1

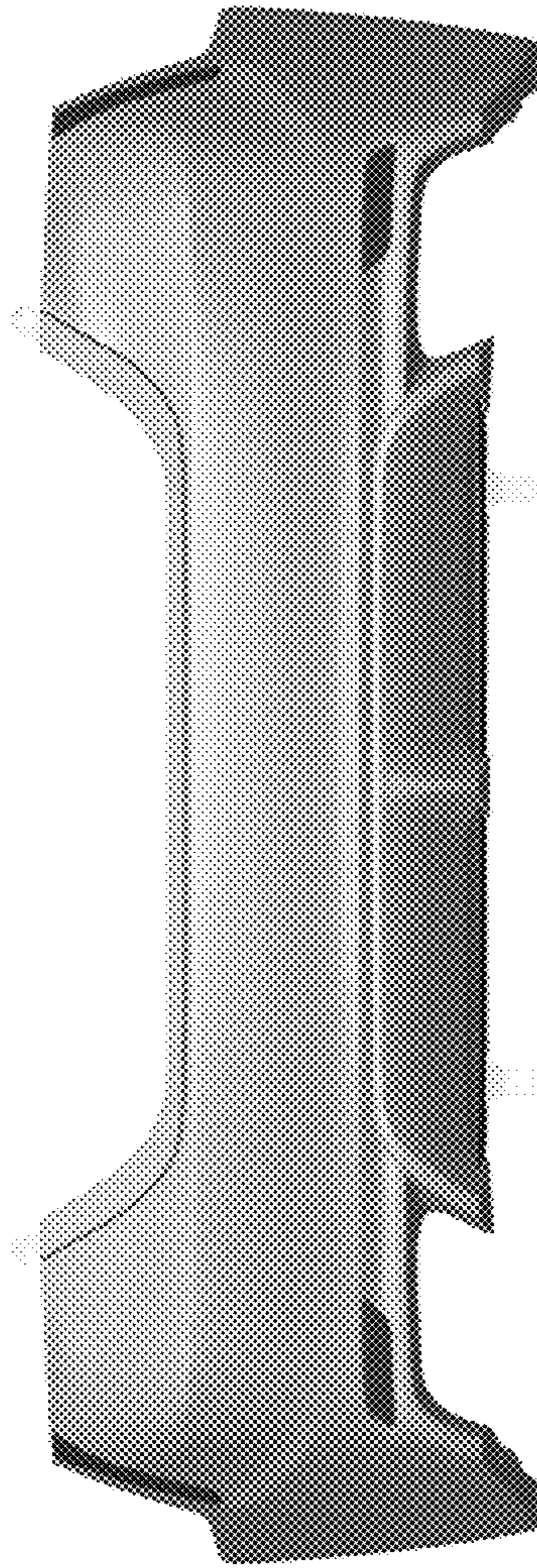


FIG. 2

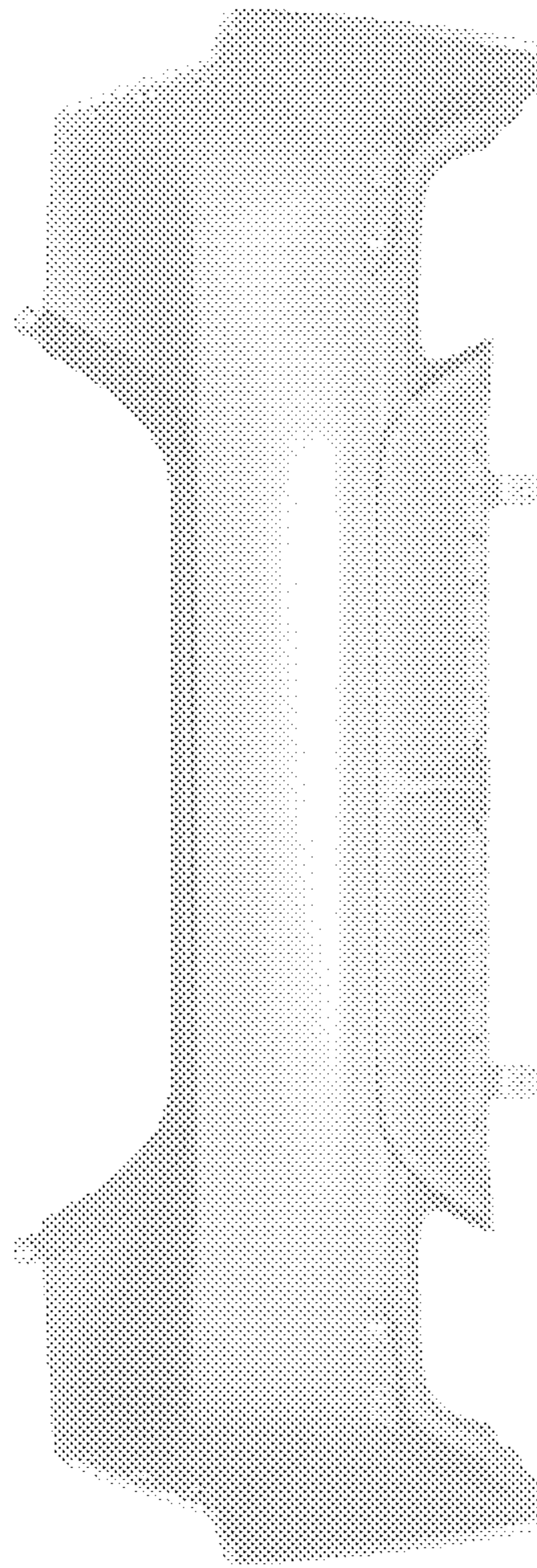


FIG. 3

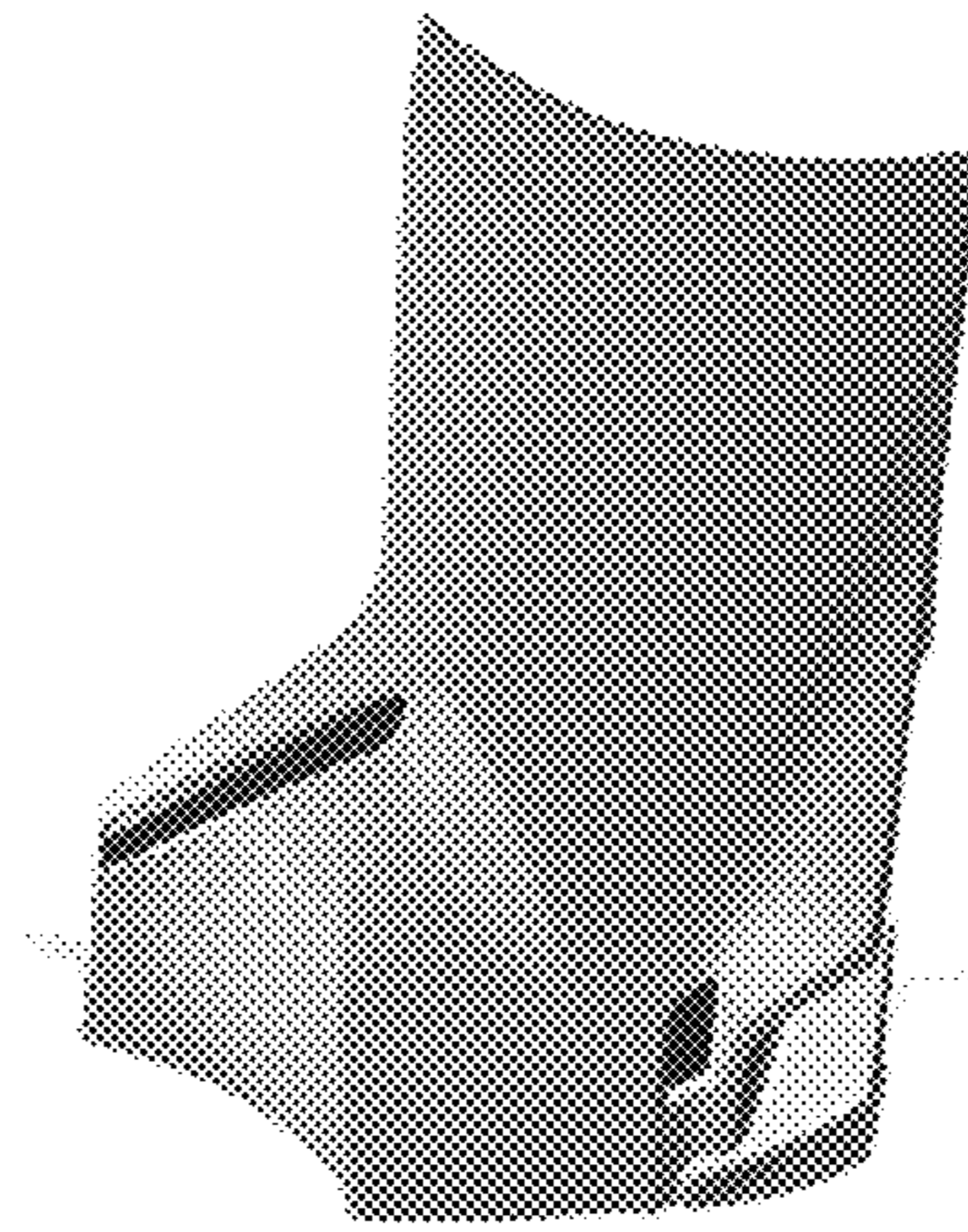


FIG. 4

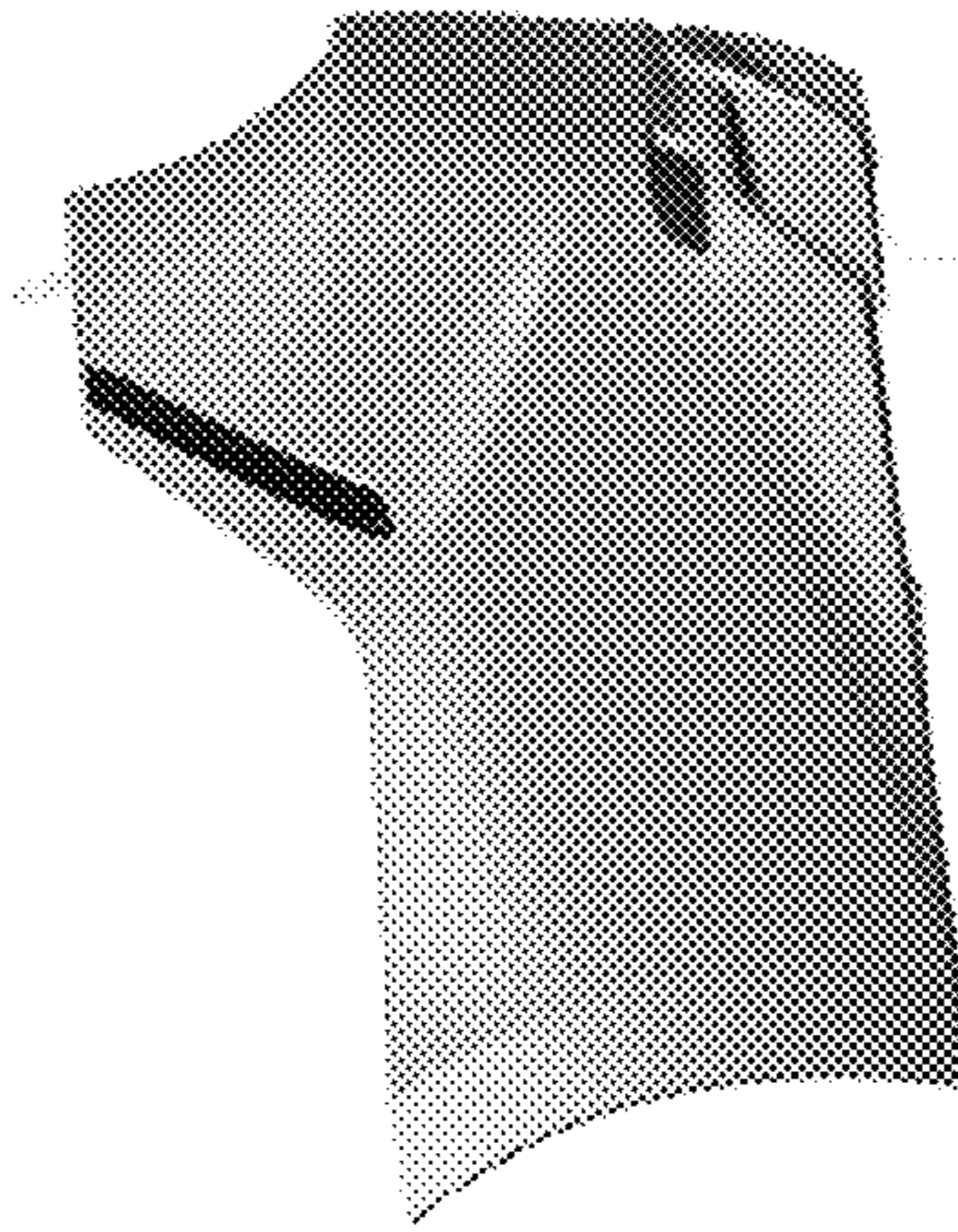


FIG. 5

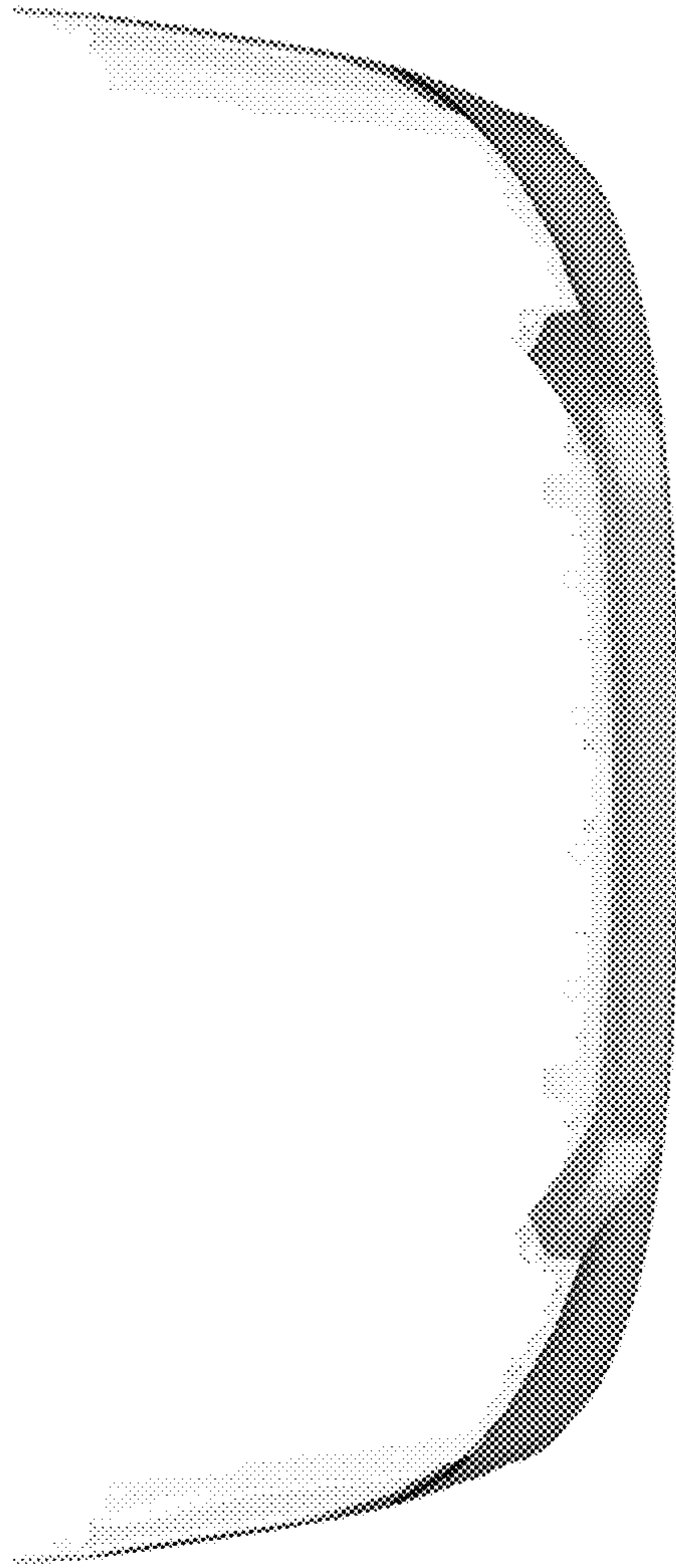


FIG. 6

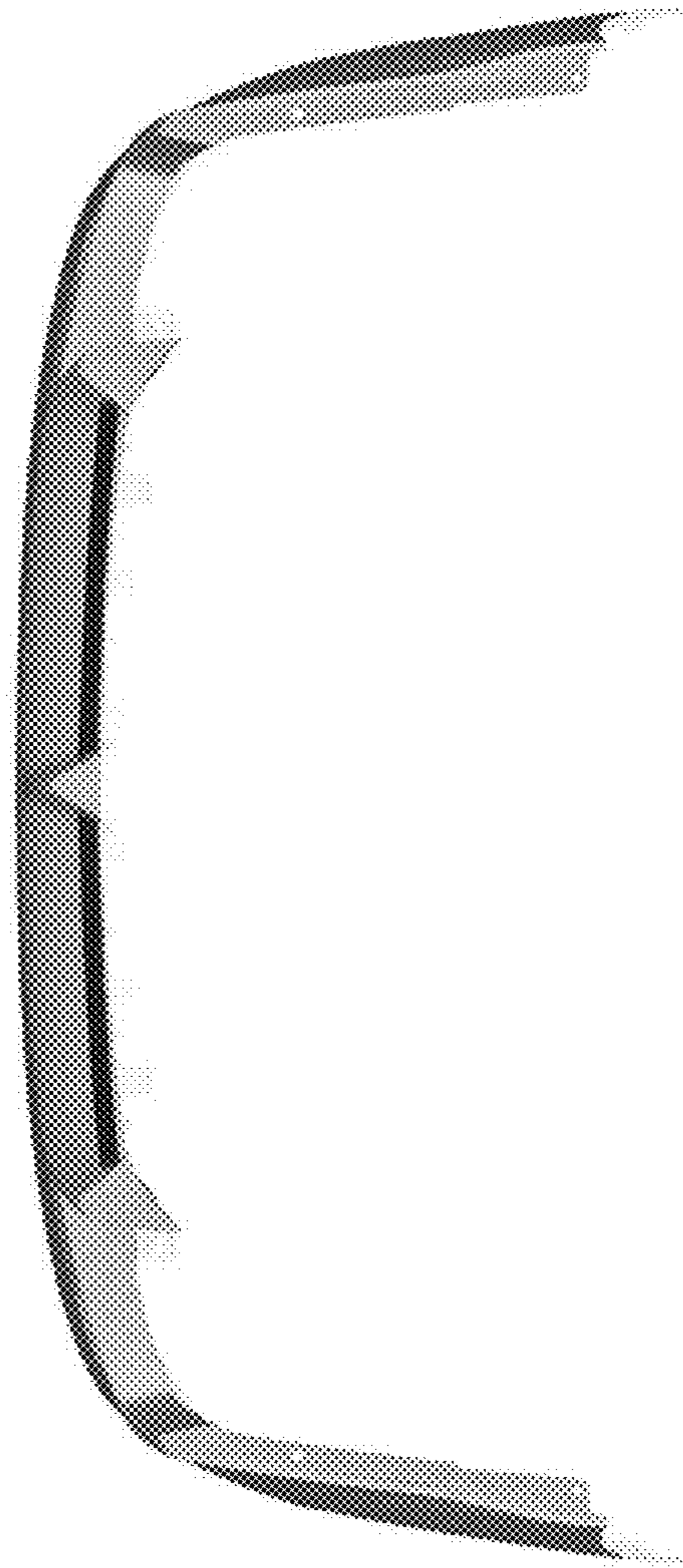


FIG. 7

UNITED STATES PATENT AND TRADEMARK OFFICE
CERTIFICATE OF CORRECTION

PATENT NO. : D843,279 S
APPLICATION NO. : 29/631878
DATED : March 19, 2019
INVENTOR(S) : Miljan Jevremovic and Pansoo Kwon


Page 1 of 9

It is certified that error appears in the above-identified patent and that said Letters Patent is hereby corrected as shown below:

Please replace the title page with the attached title page

Please replace Figs. 1-7 with the attached replacement photographic sheets for Figs. 1-7

Signed and Sealed this
First Day of October, 2019



Andrei Iancu
Director of the United States Patent and Trademark Office

(12) **United States Design Patent** (10) **Patent No.:** **US D843,279 S**
Jevremovic et al. (45) **Date of Patent:** **** Mar. 19, 2019**

(54) **REAR BUMPER FOR A MOTOR VEHICLE**

(71) Applicants: **Miljan Jevremovic**, Farmington, MI
 (US); **Pansoo Kwon**, Okazaki (JP)

(72) Inventors: **Miljan Jevremovic**, Farmington, MI
 (US); **Pansoo Kwon**, Okazaki (JP)

(73) Assignee: **Toyota Jidosha Kabushiki Kaisha**,
 Toyota-shi, Aichi-ken (JP)

(**) Term: **15 Years**

(21) Appl. No.: **29/631,878**

(22) Filed: **Jan. 3, 2018**

Related U.S. Application Data

(62) Division of application No. 29/577,801, filed on Sep. 15, 2016.

(51) **LOC (11) CL.** **12-16**

(52) **U.S. CL.**
 USPC **D12/169**

(58) **Field of Classification Search**
 USPC D12/169, 102, 113, 115, 117, 120;
 296/180.1, 180.2

CPC B60R 19/02; B60R 19/04; B62D 25/08
 See application file for complete search history.

(56) **References Cited**

U.S. PATENT DOCUMENTS

D592,567 S *	5/2009	Saracoglu	D12/169
D614,091 S *	4/2010	Ectors	D12/169
D617,698 S *	6/2010	Lamm	D12/169
D721,306 S *	1/2015	George	D12/169
D725,009 S *	3/2015	Hirai	D12/169
D735,097 S *	7/2015	Nissl	D12/169
D748,544 S *	2/2016	Nissl	D12/169
D772,123 S *	11/2016	Zurian	D12/169
D782,373 S *	3/2017	Curic	D12/169

D796,395 S *	9/2017	Kojima	D12/169
D800,034 S *	10/2017	Kojima	D12/169
D802,500 S *	11/2017	Han	D12/169
D808,871 S *	1/2018	Peat	D12/169
D810,637 S *	2/2018	Wheel	D12/169
D813,743 S *	3/2018	Lee	D12/169
D824,298 S *	7/2018	Cartabiano	D12/169
D824,301 S *	7/2018	Lim	D12/169
D827,517 S *	9/2018	Whang	D12/169

OTHER PUBLICATIONS

Netcarshow.com, URL: <https://www.netcarshow.com/toyota/2016-avalon/>; Model: Toyota Avalon (2016); Mfg.: Toyota; available on at least Jun. 3, 2015.

(Continued)

Primary Examiner — Melody N Brown

(74) *Attorney, Agent, or Firm* — Finnegan, Henderson, Farabow, Garrett & Dunner, L.L.P.

(57) **CLAIM**

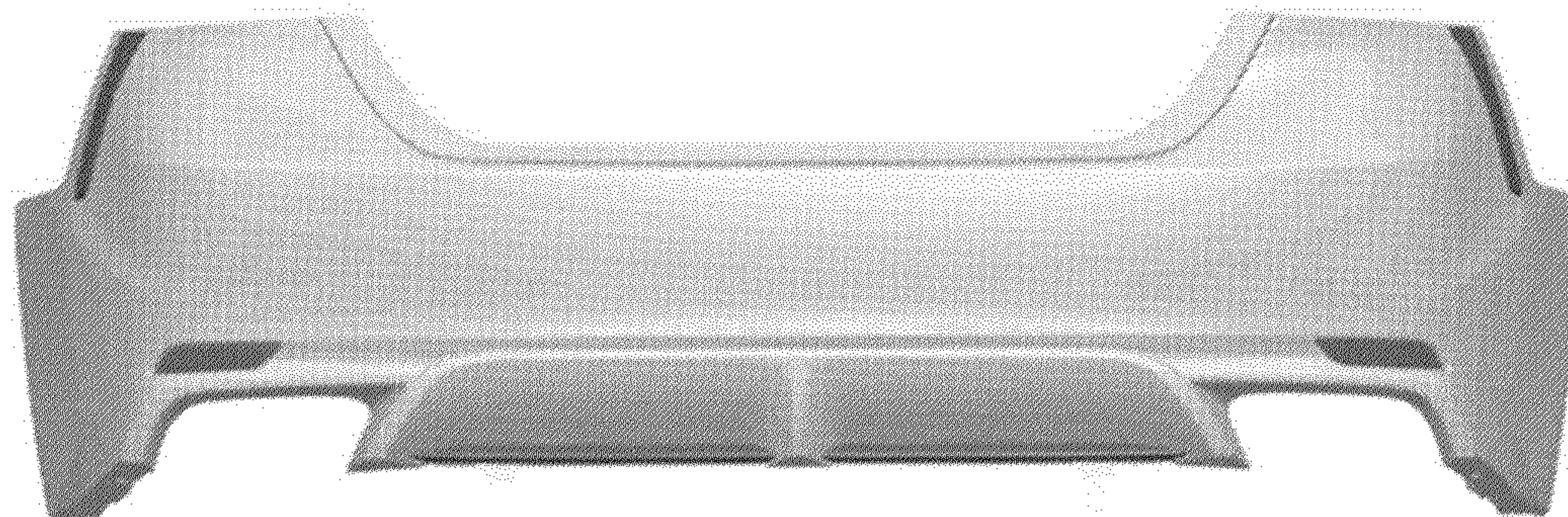
The ornamental design for a rear bumper for a motor vehicle, as shown and described.

DESCRIPTION

FIG. 1 is a front perspective view of a rear bumper for a motor vehicle showing our new design;
 FIG. 2 is a front view thereof;
 FIG. 3 is a rear view thereof;
 FIG. 4 is a right side view thereof;
 FIG. 5 is a left side view thereof;
 FIG. 6 is a top plan view thereof; and,
 FIG. 7 is a bottom view thereof.

The de-emphasized and halftone portions shown in the photographs illustrate environmental structure of the rear bumper for a motor vehicle that forms no part of the claimed design.

1 Claim, 7 Drawing Sheets



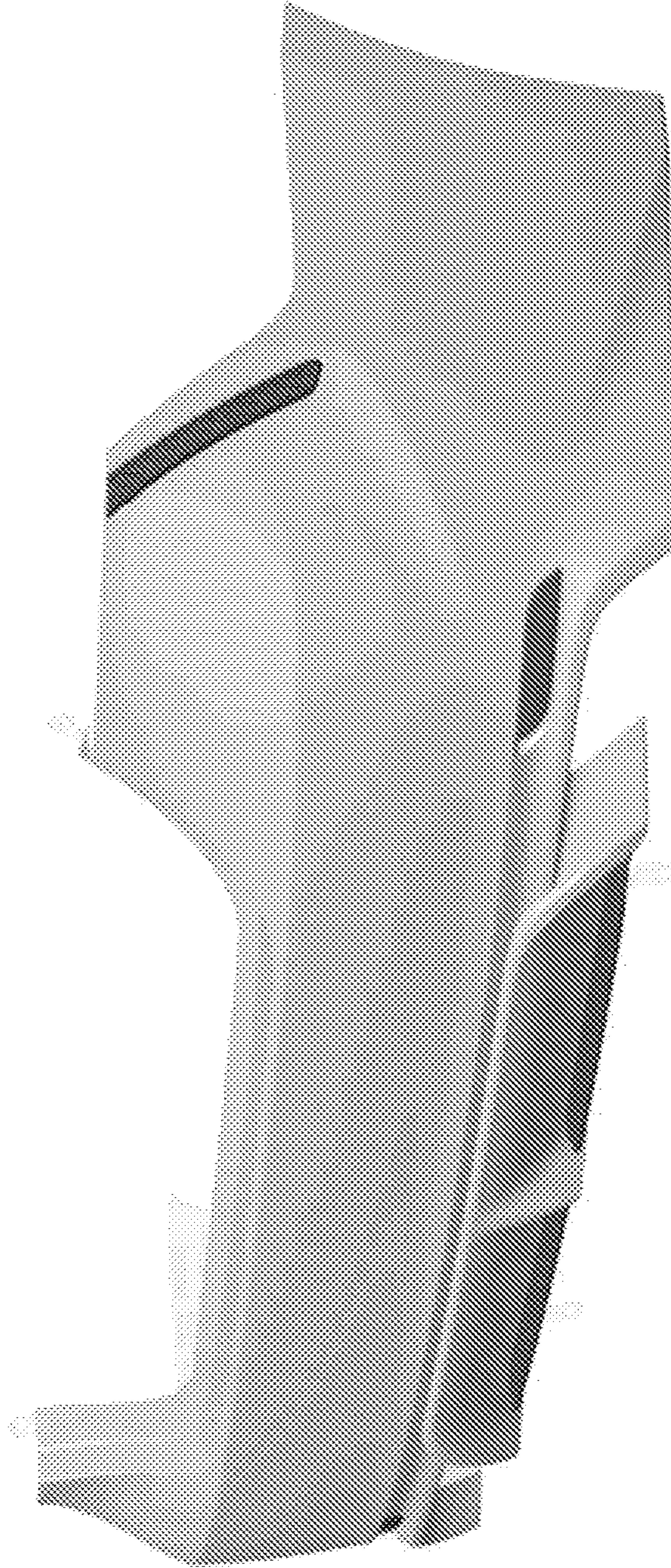


FIG. 1

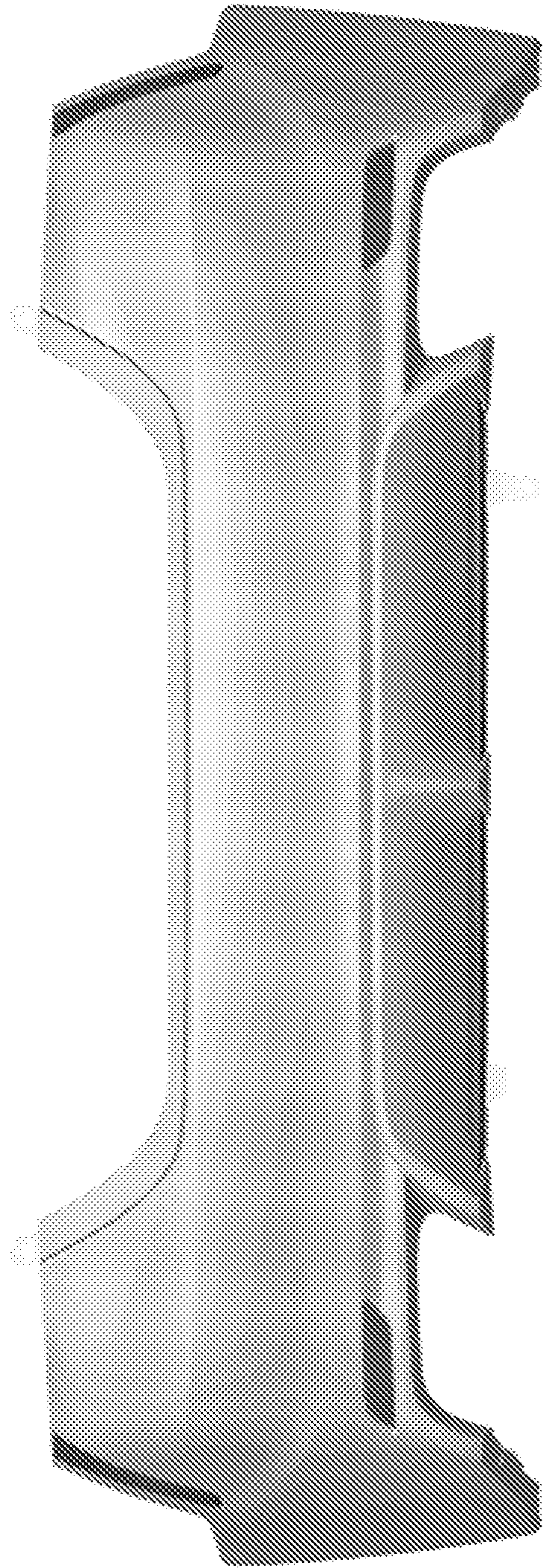


FIG. 2



FIG. 3

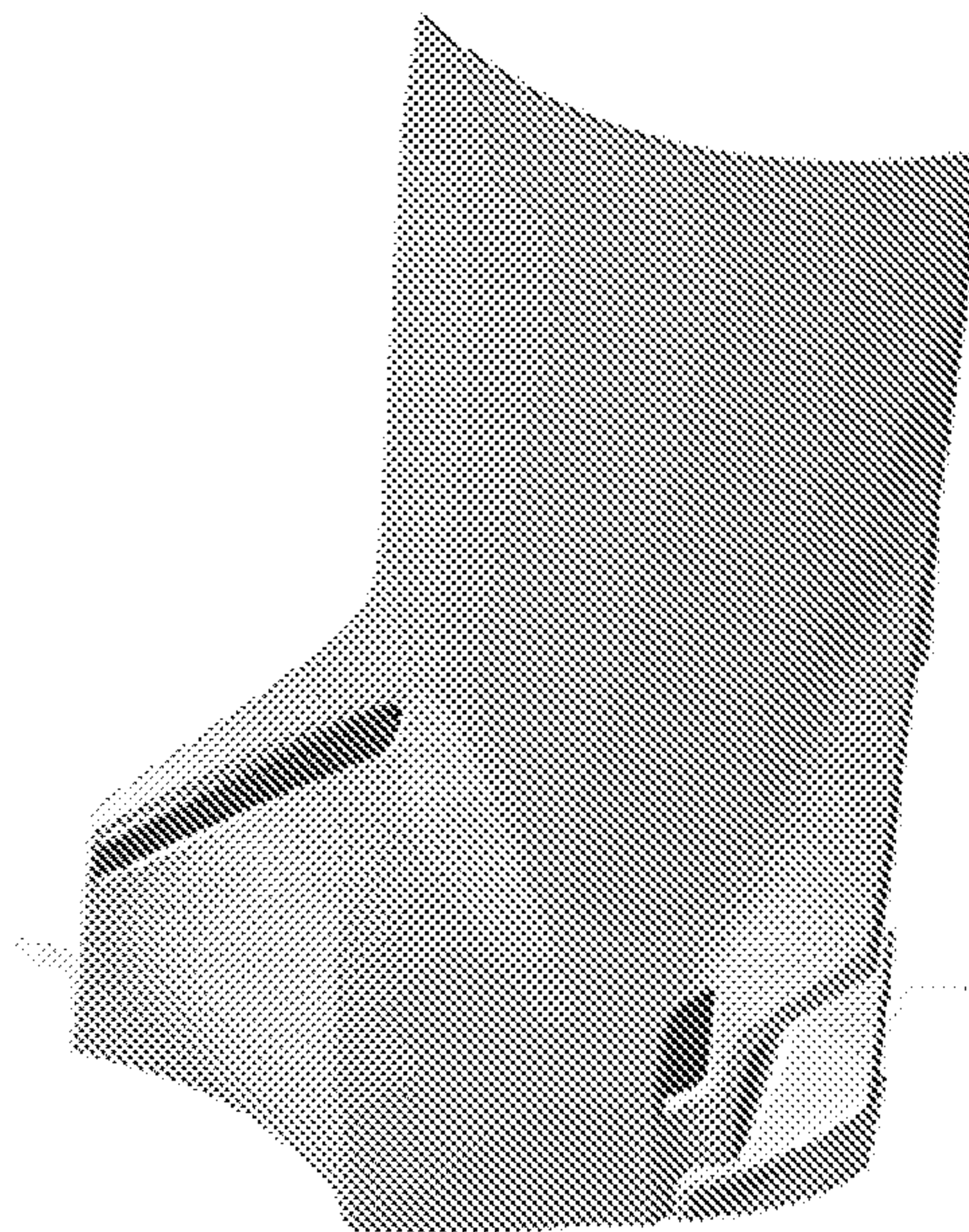


FIG. 4

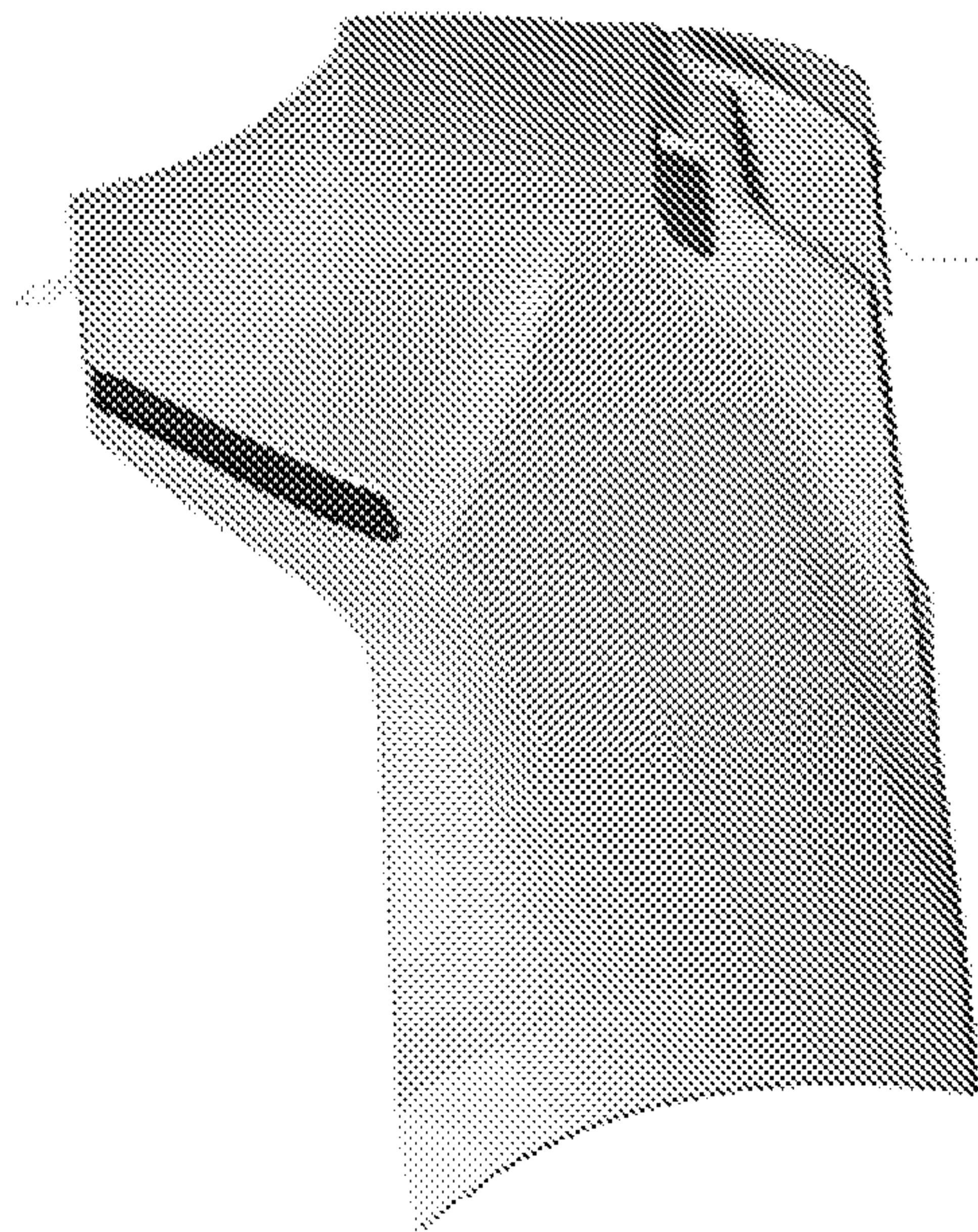


FIG. 5

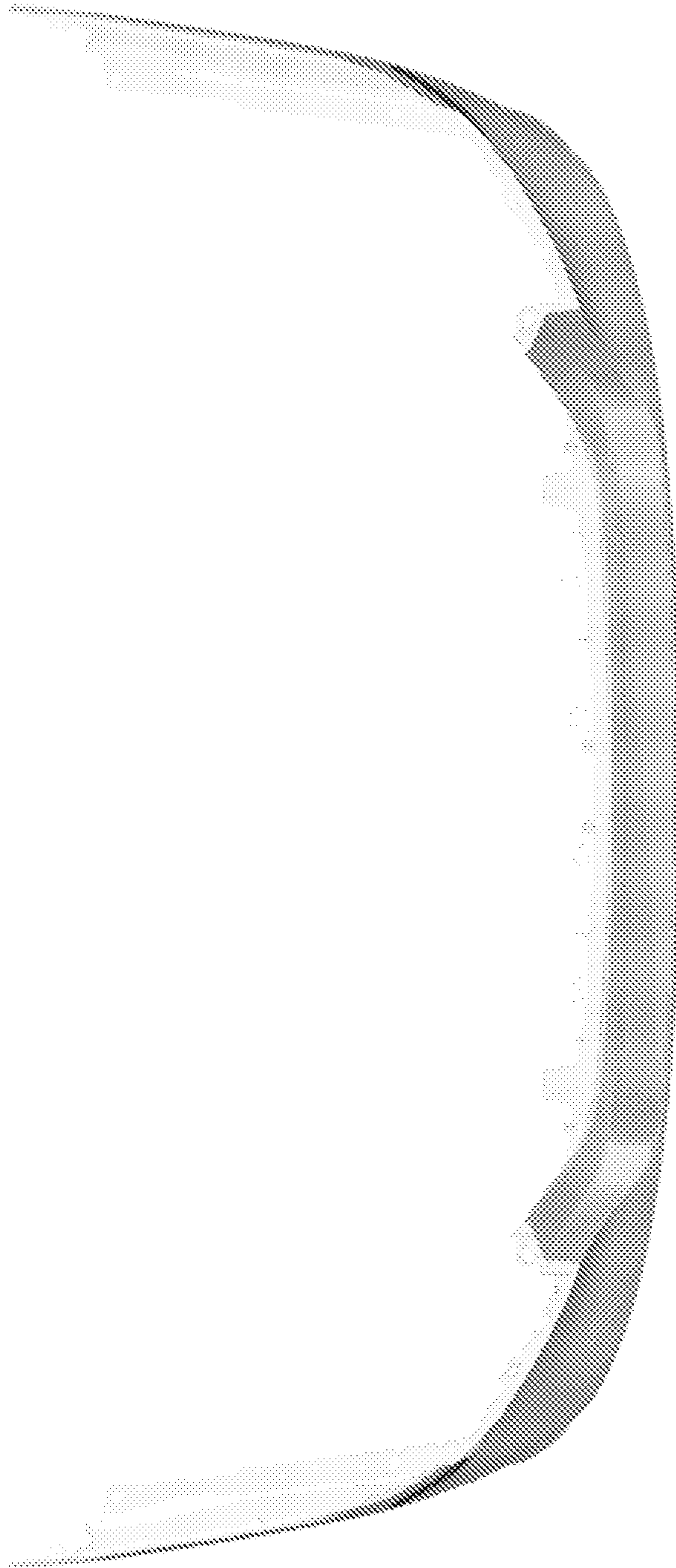


FIG. 6

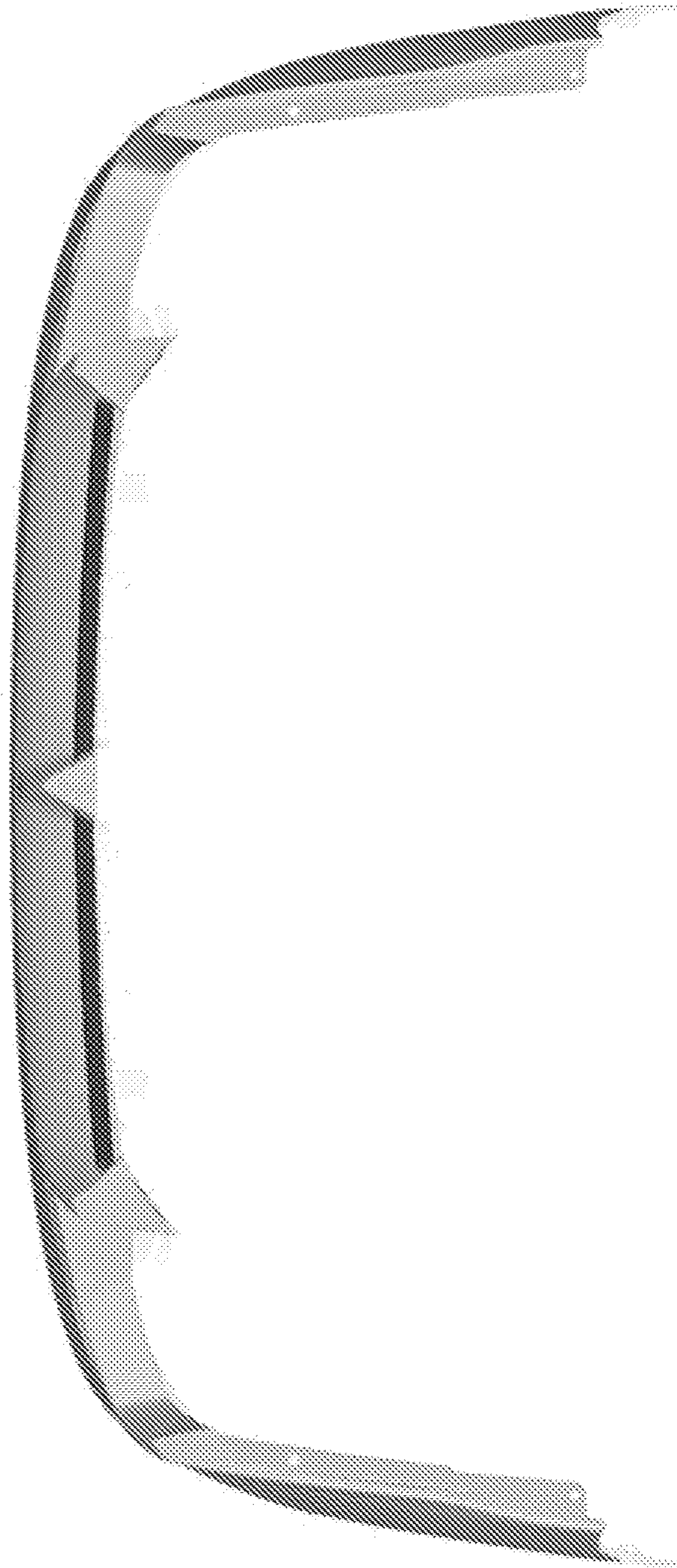


FIG. 7