



US00D843278S

(12) **United States Design Patent**
Horie et al.

(10) **Patent No.:** **US D843,278 S**
(45) **Date of Patent:** **** Mar. 19, 2019**

(54) **REAR BUMPER FOR AUTOMOBILE**

(71) Applicant: **Nissan Motor Co., Ltd.**, Yokohama,
Kanagawa (JP)

(72) Inventors: **Takeo Horie**, Kanagawa (JP); **Osamu Horiuchi**, Kanagawa (JP)

(73) Assignee: **Nissan Motor Co., Ltd.**, Yokohama (JP)

(**) Term: **15 Years**

(21) Appl. No.: **29/627,049**

(22) Filed: **Nov. 22, 2017**

(30) **Foreign Application Priority Data**

May 26, 2017 (JP) 2017-011332

(51) **LOC (11) Cl.** **12-16**

(52) **U.S. Cl.**
USPC **D12/169**

(58) **Field of Classification Search**
USPC D12/169, 102, 113, 115, 117, 120;
296/180.1, 180.2

CPC B60R 19/02; B60R 19/04; B62D 25/08
See application file for complete search history.

(56) **References Cited**

U.S. PATENT DOCUMENTS

D614,545 S * 4/2010 Ono D12/169
D692,808 S * 11/2013 Morioka D12/169
D698,712 S * 2/2014 Sato D12/169
D699,167 S * 2/2014 Sato D12/169
D705,140 S * 5/2014 Kawasaki D12/169

D711,795 S * 8/2014 Kim D12/169
D713,304 S * 9/2014 Tsuchida D12/169
D721,993 S * 2/2015 Nordmann D12/169
D736,125 S * 8/2015 Kamiura D12/169
D738,271 S * 9/2015 Glover D12/169
D738,272 S * 9/2015 Kamiura D12/169
D745,838 S * 12/2015 Yamamoto D12/169
D779,395 S * 2/2017 Horie D12/169
D793,922 S * 8/2017 Katou D12/169
D803,738 S * 11/2017 Granlund D12/169
D819,523 S * 6/2018 Yamamoto D12/169
D827,519 S * 9/2018 Komuro D12/169

* cited by examiner

Primary Examiner — Melody N Brown

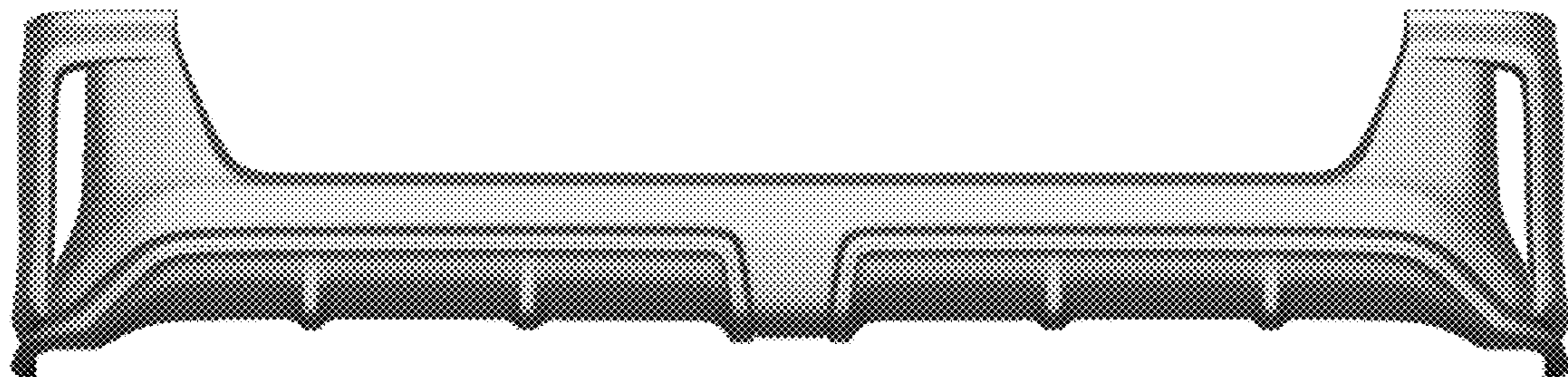
(57) **CLAIM**

The ornamental design for a rear bumper for an automobile, as shown and described.

DESCRIPTION

FIG. 1 is a front elevational view of a rear bumper for an automobile in accordance with our new design;
FIG. 2 is a top plan view thereof;
FIG. 3 is a bottom plan view thereof;
FIG. 4 is a left side elevational view thereof;
FIG. 5 is a right side elevational view thereof;
FIG. 6 is a bottom, front and left side perspective view thereof; and,
FIG. 7 is a top, front and right side perspective view thereof. The rear view of the rear bumper forms no part of the claimed design. The inside surfaces of the rear bumper, shown in broken lines in FIGS. 2, 3, 6 and 7, form no part of the claimed design since the inside surfaces are hidden when the rear bumper is mounted to the automobile.

1 Claim, 7 Drawing Sheets



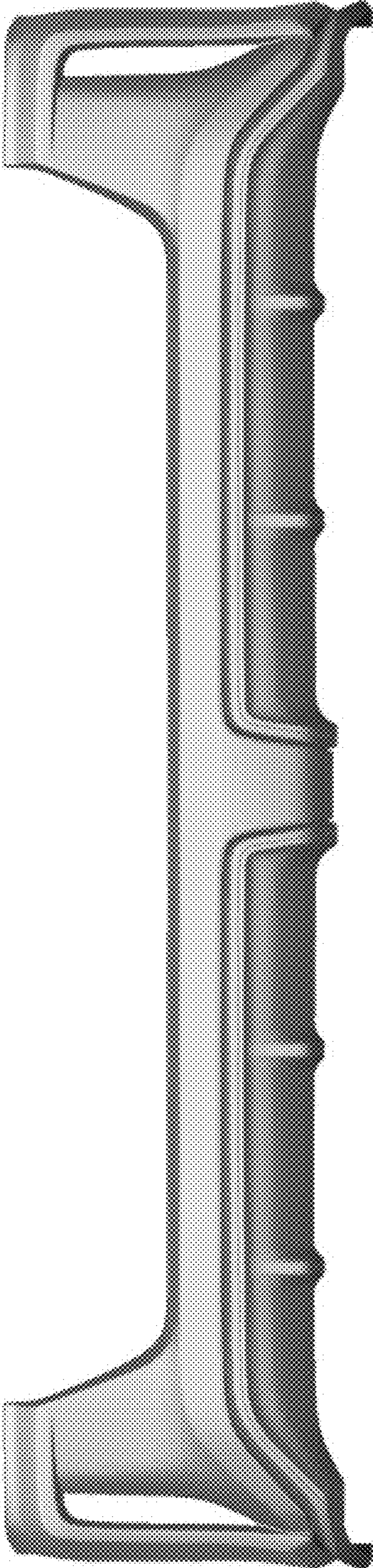


FIG. 1

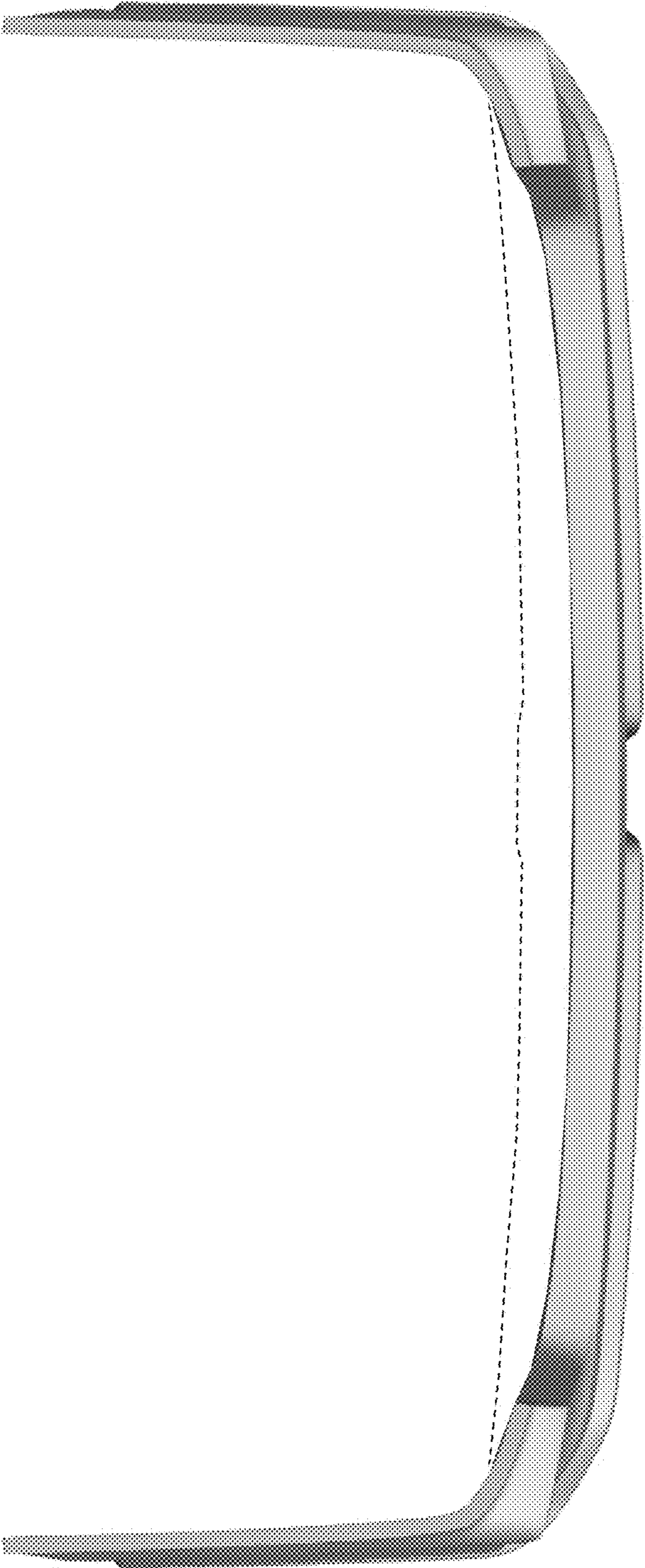


FIG. 2

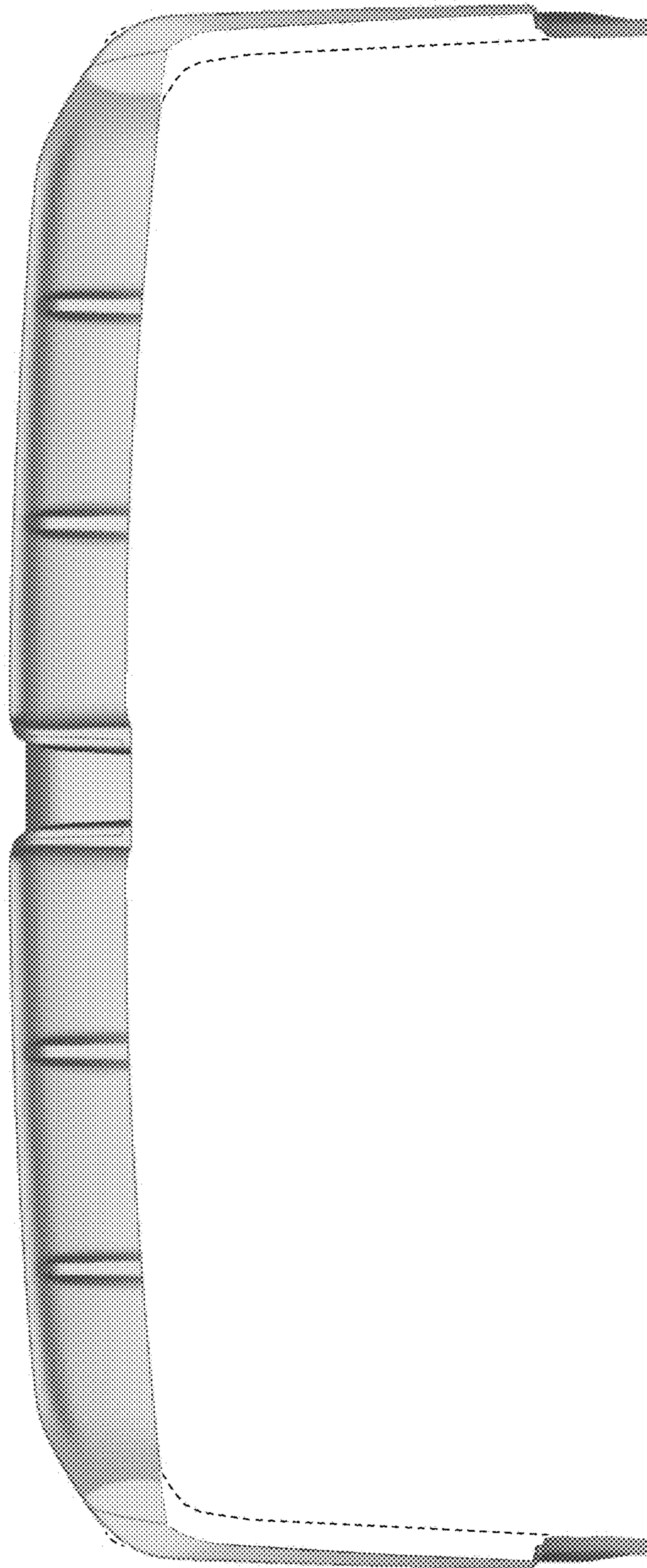


FIG. 3

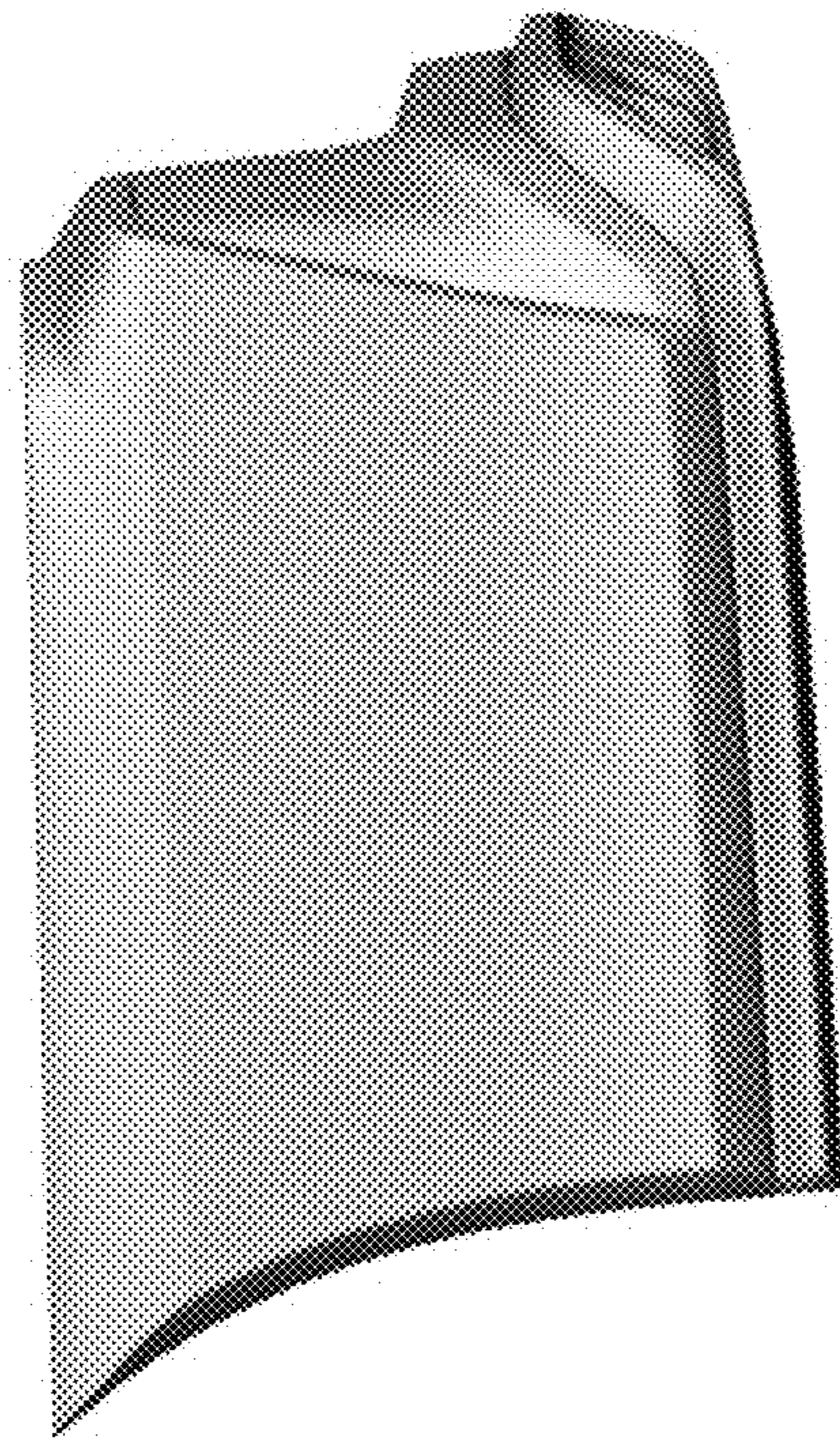


FIG. 4

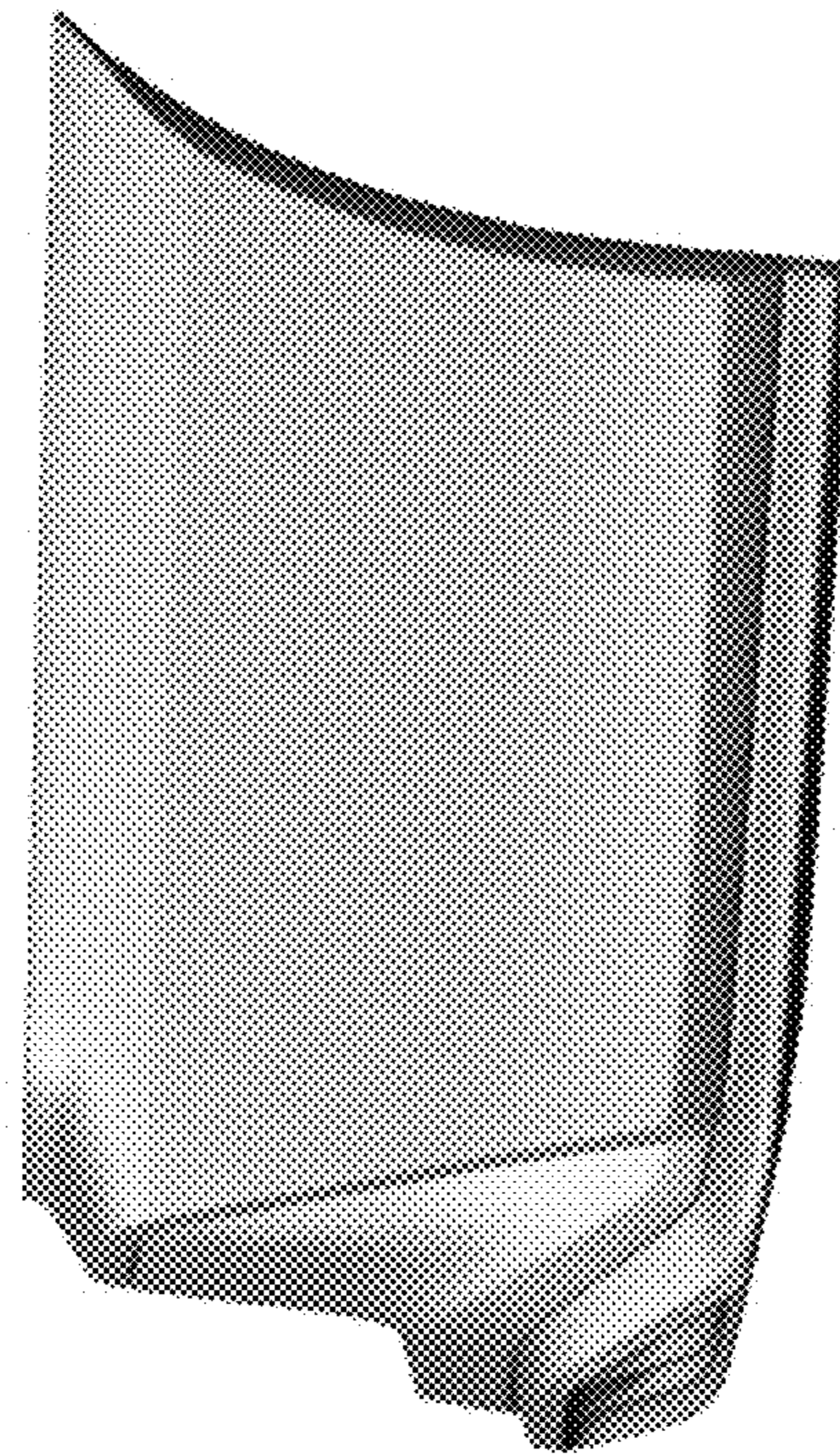


FIG. 5

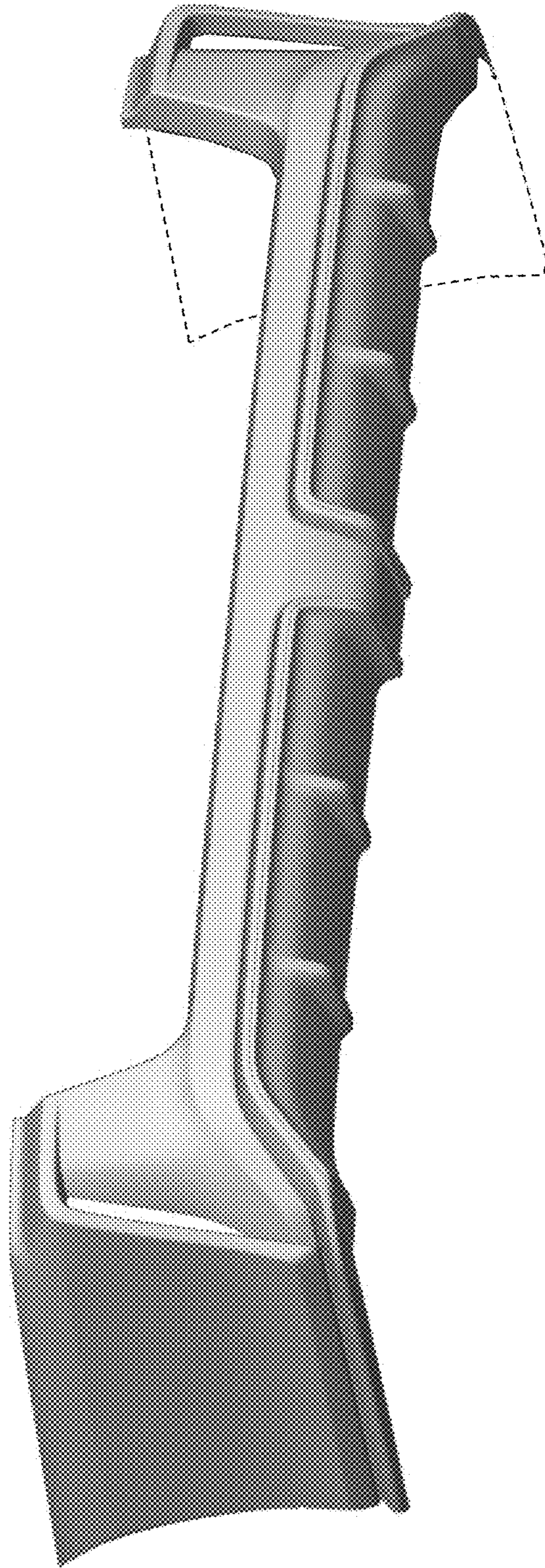


FIG. 6

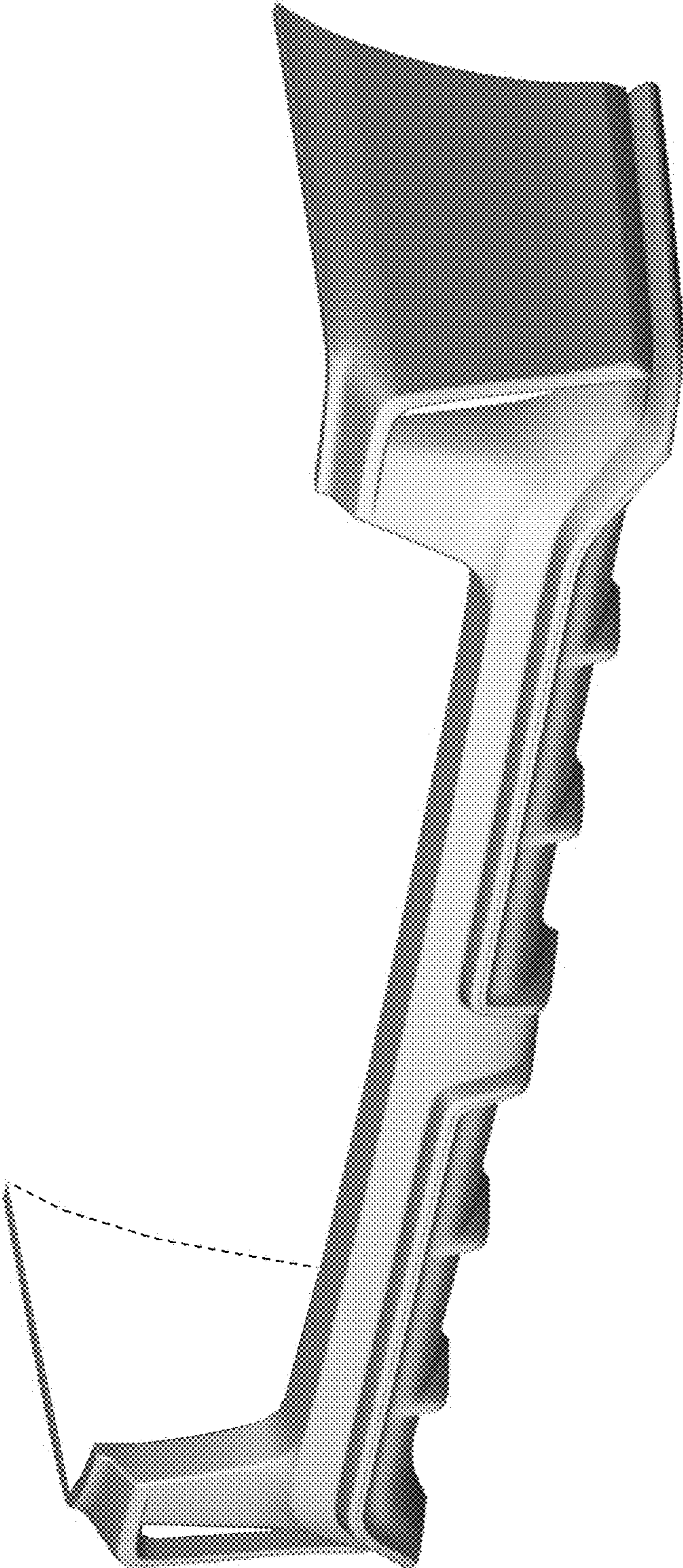


FIG. 7