



US00D843273S

(12) **United States Design Patent**  
**Audley-Coote**

(10) **Patent No.:** **US D843,273 S**  
(45) **Date of Patent:** **\*\* Mar. 19, 2019**

- (54) **VEHICLE ARM MOUNT**
- (71) Applicant: **MCA Suspension Pty Ltd**, Geebung, Queensland (AU)
- (72) Inventor: **Joshua Murray Audley-Coote**, Geebung (AU)
- (73) Assignee: **MCA SUSPENSION PTY LTD** (AU)
- (\*\*) Term: **15 Years**
- (21) Appl. No.: **29/594,334**
- (22) Filed: **Feb. 17, 2017**

- (30) **Foreign Application Priority Data**  
Aug. 18, 2016 (AU) ..... 201614503
- (51) **LOC (11) Cl.** ..... **12-16**
- (52) **U.S. Cl.**  
USPC ..... **D12/159**
- (58) **Field of Classification Search**  
USPC ..... D12/159; D22/114, 199; D6/368, 552  
CPC ... F41C 27/00; B60R 7/14; B60R 5/04; B60R 11/00; F41A 23/10; F41A 23/18; F41A 17/44; F41A 23/16; F41A 29/00  
See application file for complete search history.

- (56) **References Cited**  
**U.S. PATENT DOCUMENTS**  
D728,729 S \* 5/2015 Geissele ..... D22/109  
D730,483 S \* 5/2015 Rein, Jr. .... D22/199  
D809,977 S \* 2/2018 Smith ..... D12/159  
2009/0173033 A1\* 7/2009 Baxter, Jr. .... A63J 1/00  
52/646  
2011/0302819 A1\* 12/2011 McGhan ..... F41A 23/18  
42/94

- 2012/0193254 A1\* 8/2012 Kubinieć ..... A47B 81/005  
206/317
- 2016/0120308 A1\* 5/2016 Kubinieć ..... A47B 81/005  
211/64
- 2018/0065465 A1\* 3/2018 Ward ..... B60K 5/10
- \* cited by examiner

*Primary Examiner* — Michael A. Pratt  
(74) *Attorney, Agent, or Firm* — Perkins Coie LLP

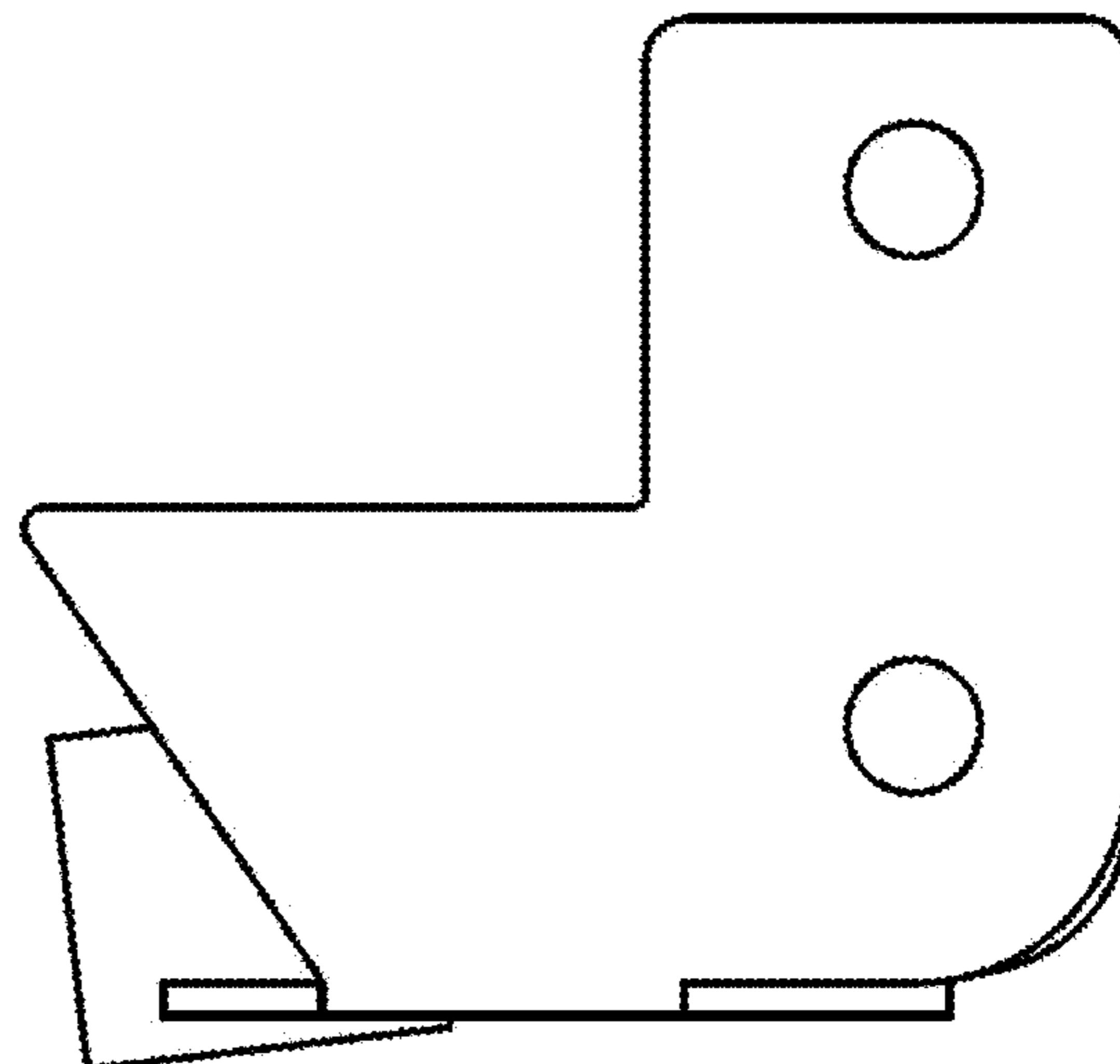
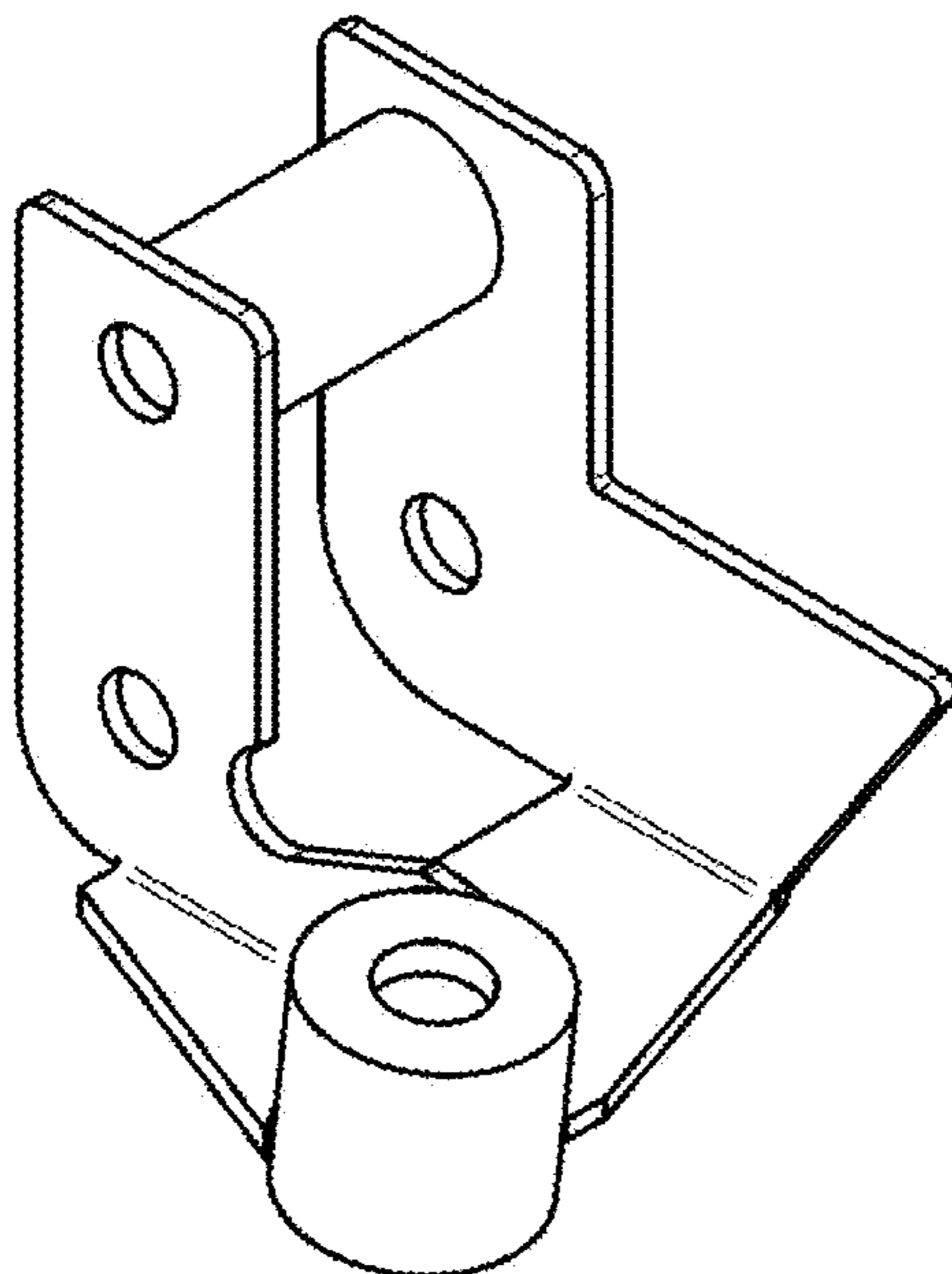
(57) **CLAIM**

I claim the ornamental design for a vehicle arm mount, as shown and described.

**DESCRIPTION**

FIG. 1 is a front top right perspective view of a vehicle arm mount;  
 FIG. 2 is a back plan view of the vehicle arm mount of FIG. 1;  
 FIG. 3 is a bottom plan view of the vehicle arm mount of FIG. 1;  
 FIG. 4 is a front bottom right perspective view of the vehicle arm mount of FIG. 1;  
 FIG. 5 is a front plan view of the vehicle arm mount of FIG. 1;  
 FIG. 6 is a left side plan view of the vehicle arm mount of FIG. 1;  
 FIG. 7 is a rear bottom right perspective view of the vehicle arm mount of FIG. 1;  
 FIG. 8 is a rear top right perspective view of the vehicle arm mount of FIG. 1;  
 FIG. 9 is a right side plan view of the vehicle arm mount of FIG. 1; and,  
 FIG. 10 is a top plan view of the vehicle arm mount of FIG. 1.

**1 Claim, 5 Drawing Sheets**



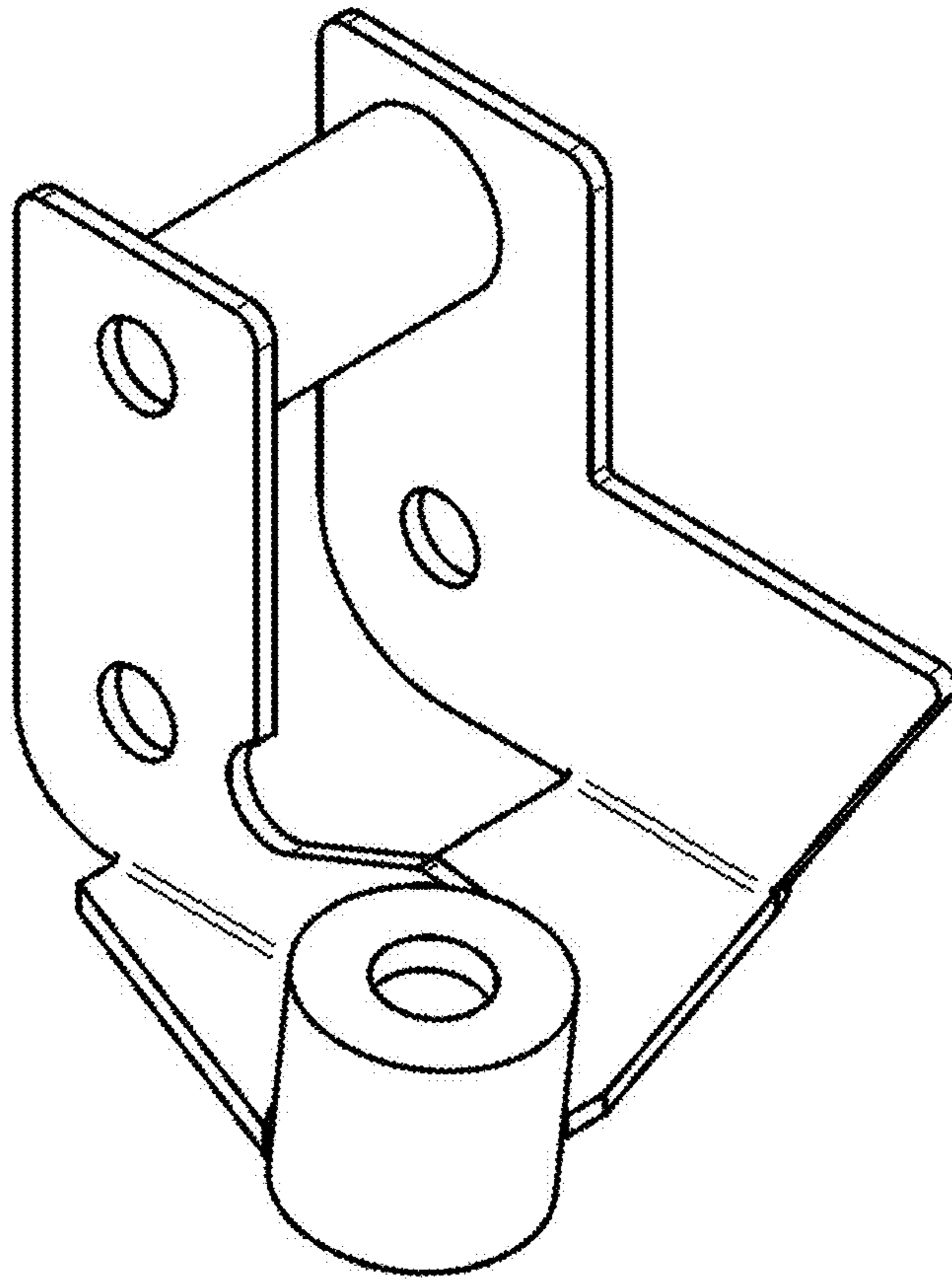


FIGURE 1

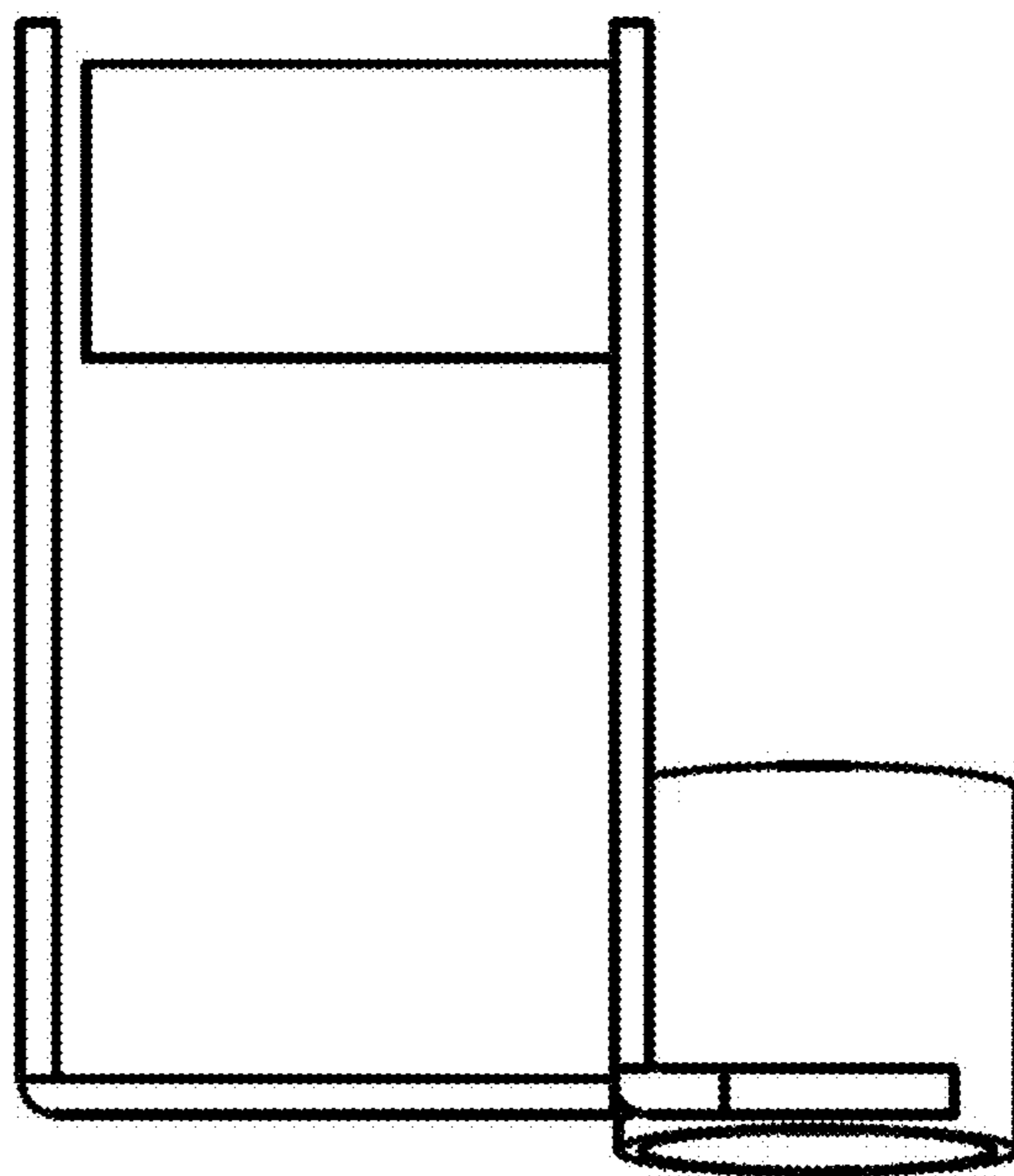


FIGURE 2

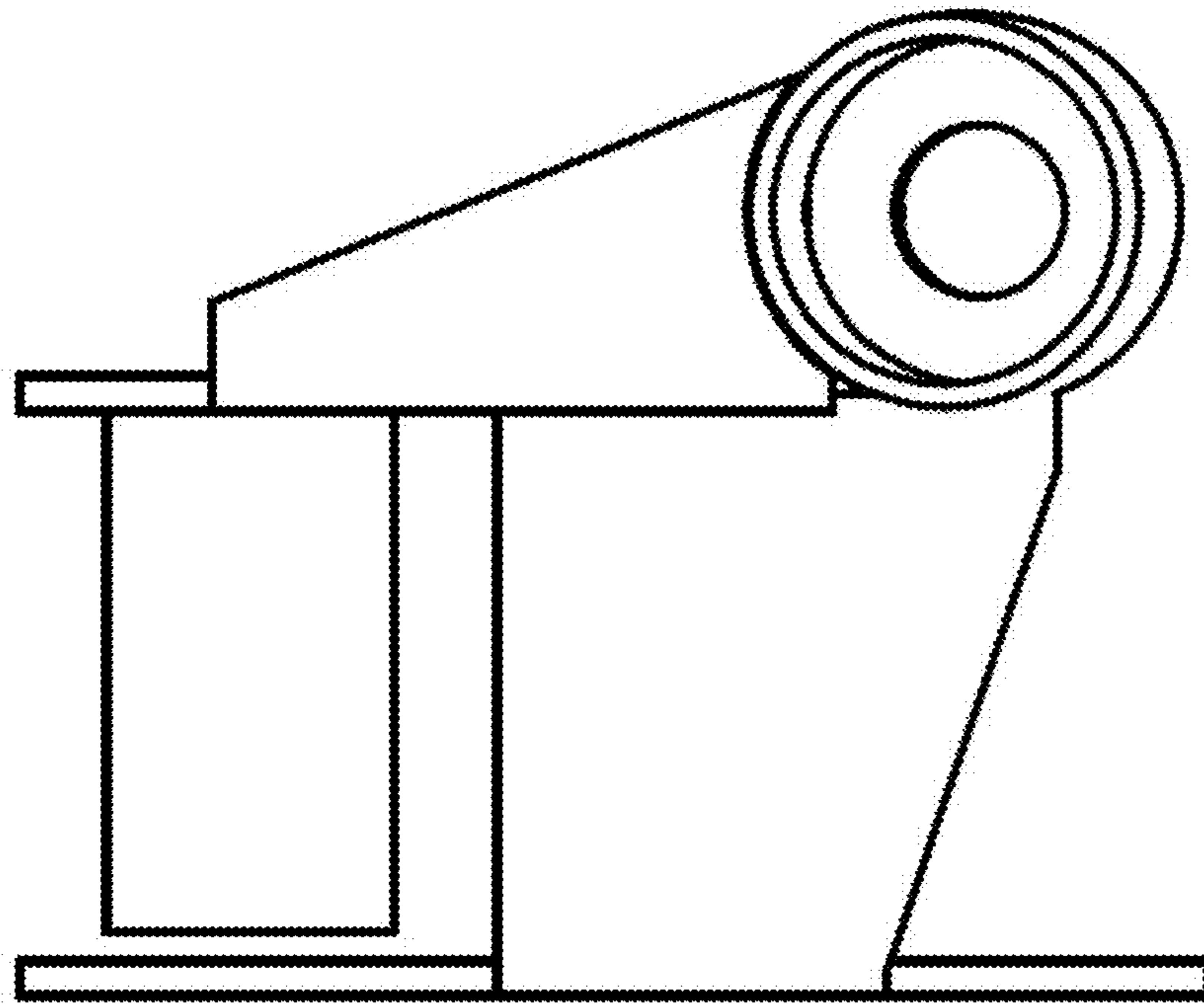


FIGURE 3

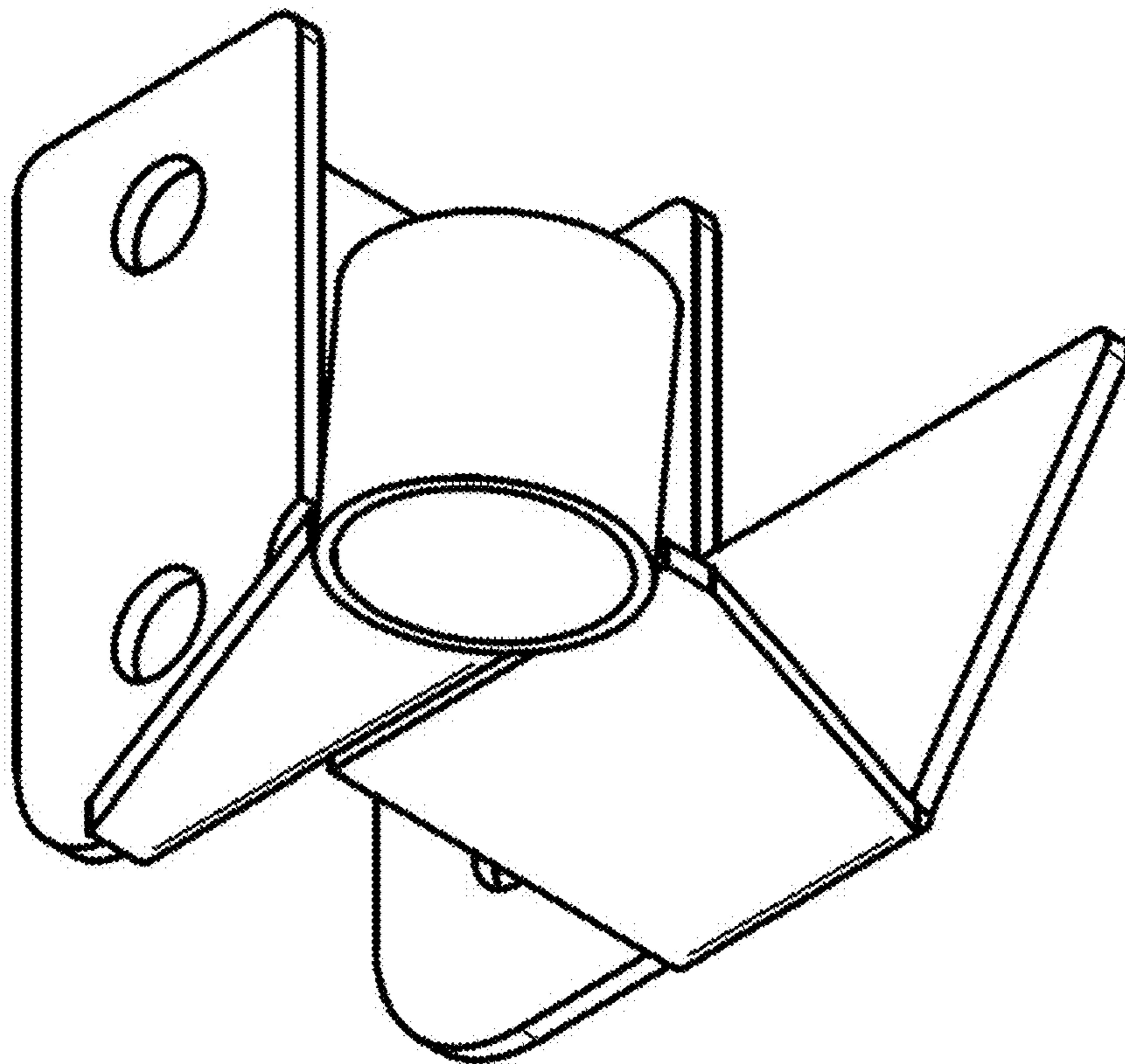


FIGURE 4

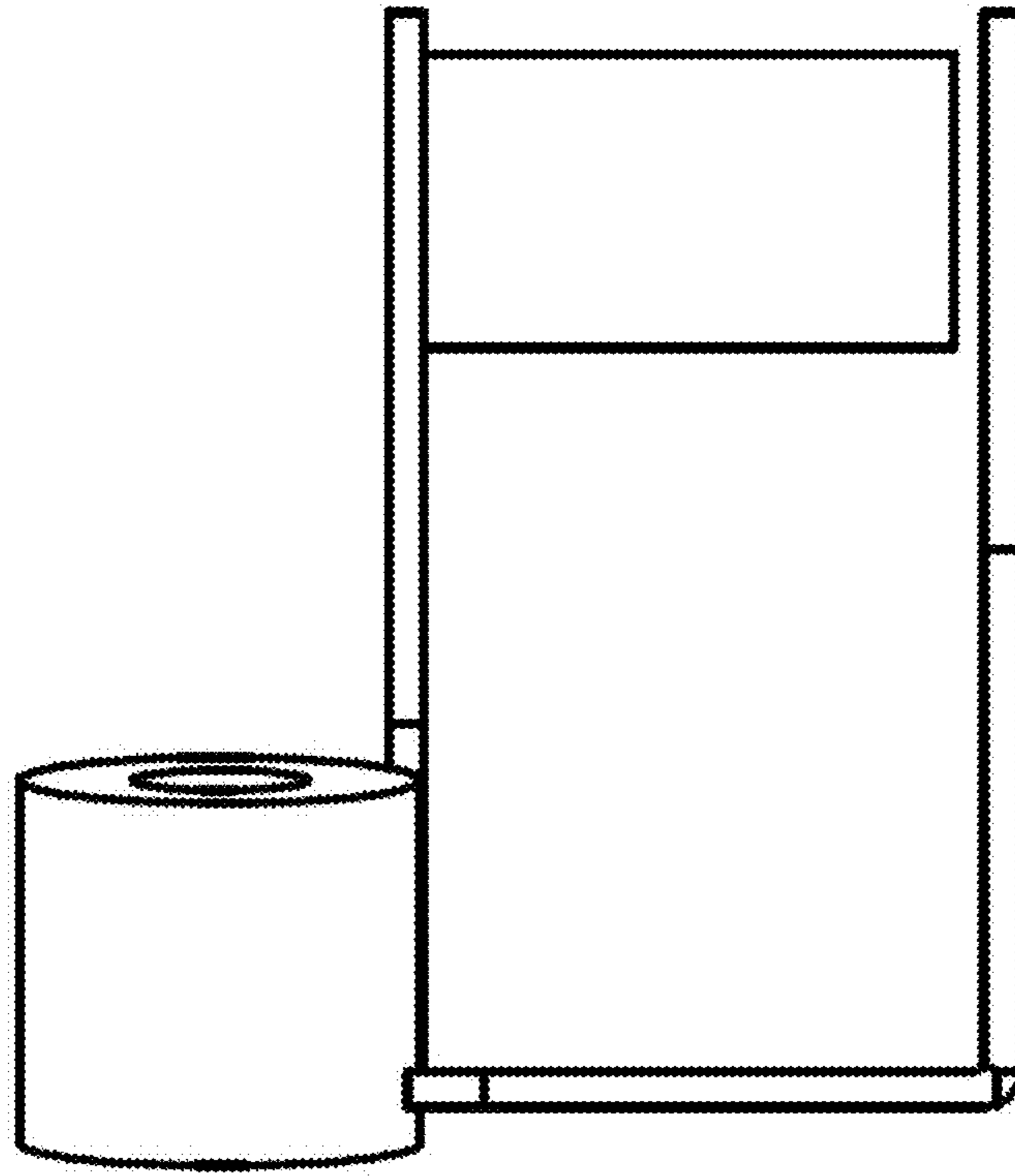


FIGURE 5

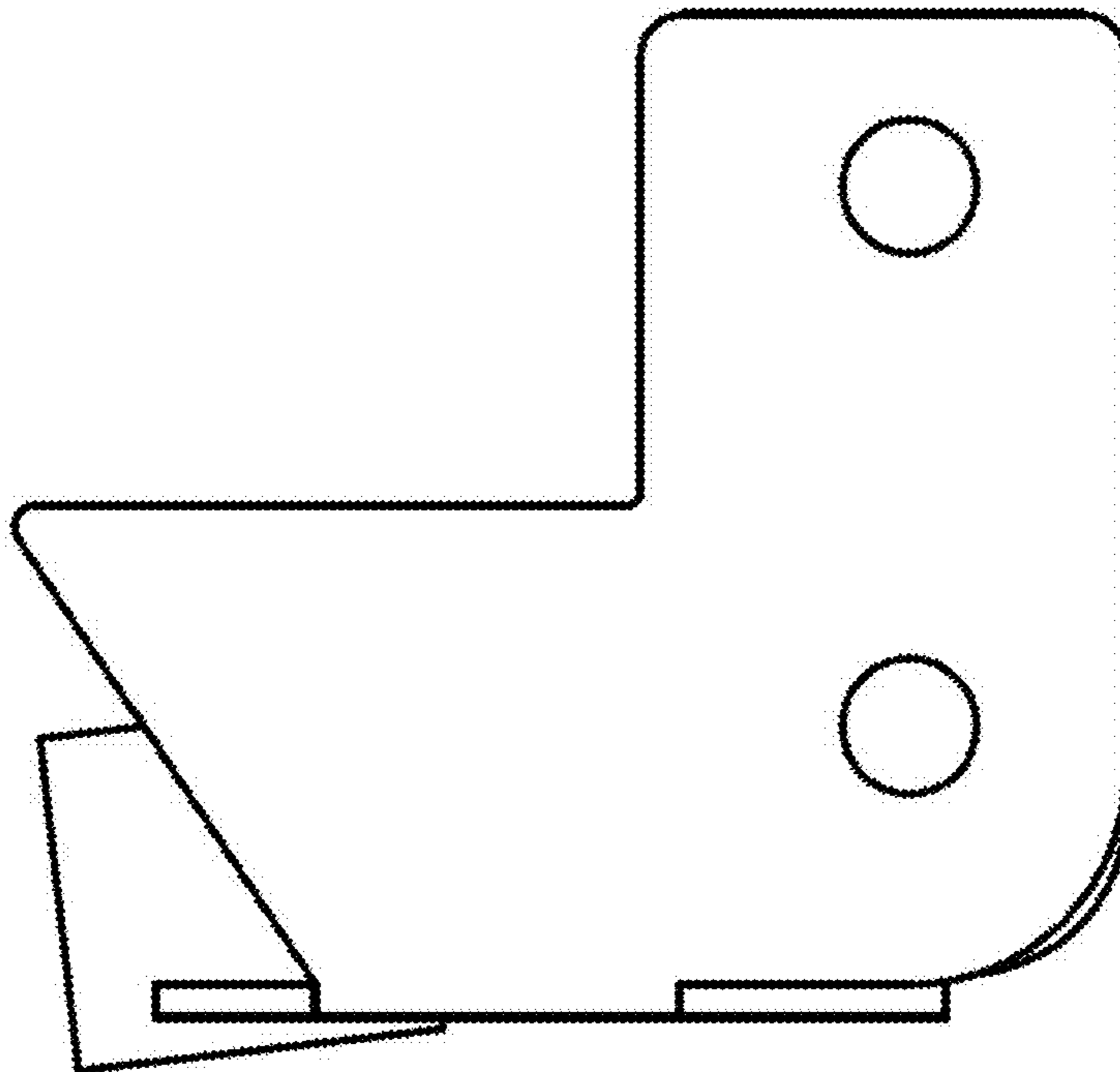


FIGURE 6

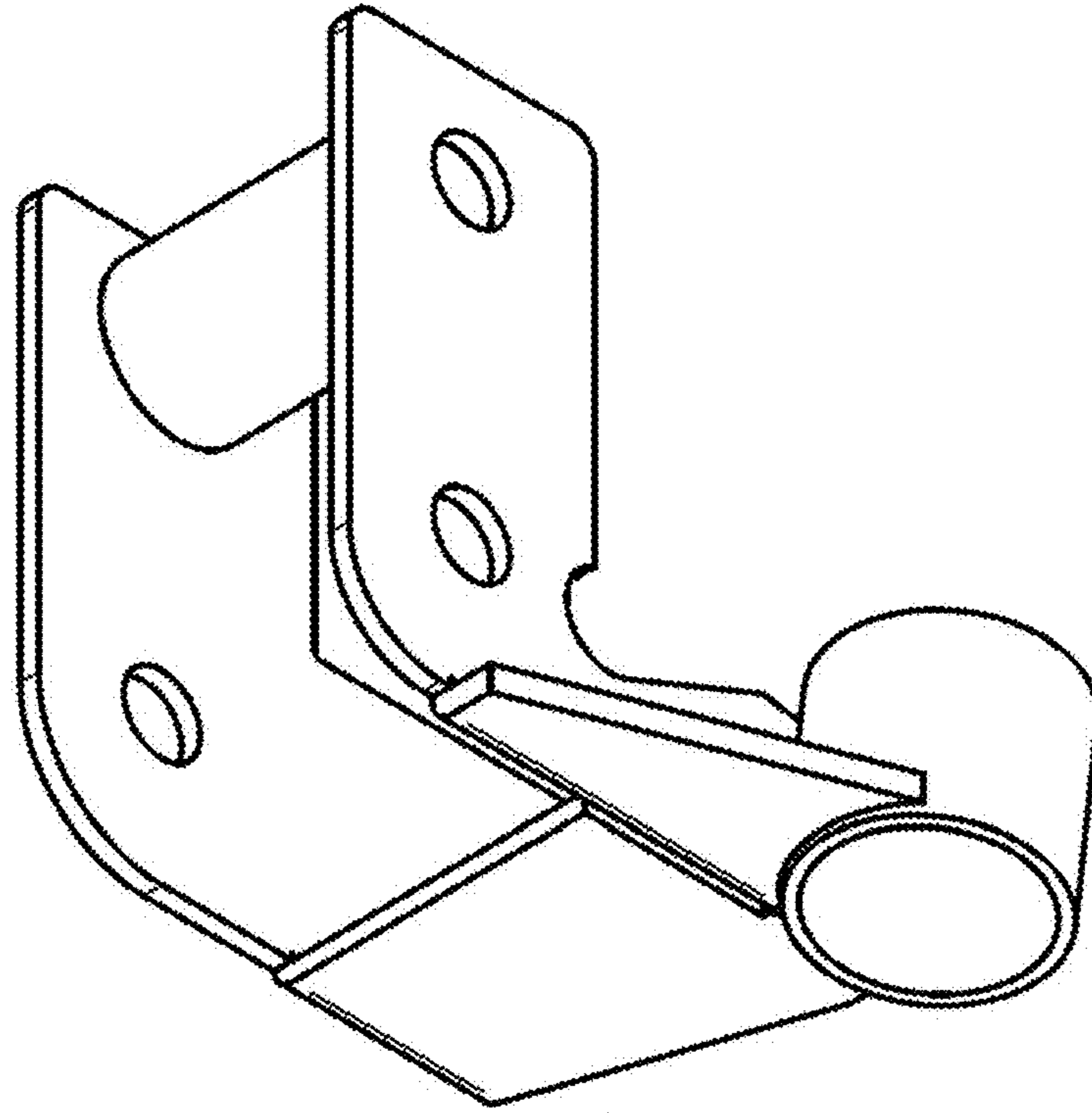


FIGURE 7

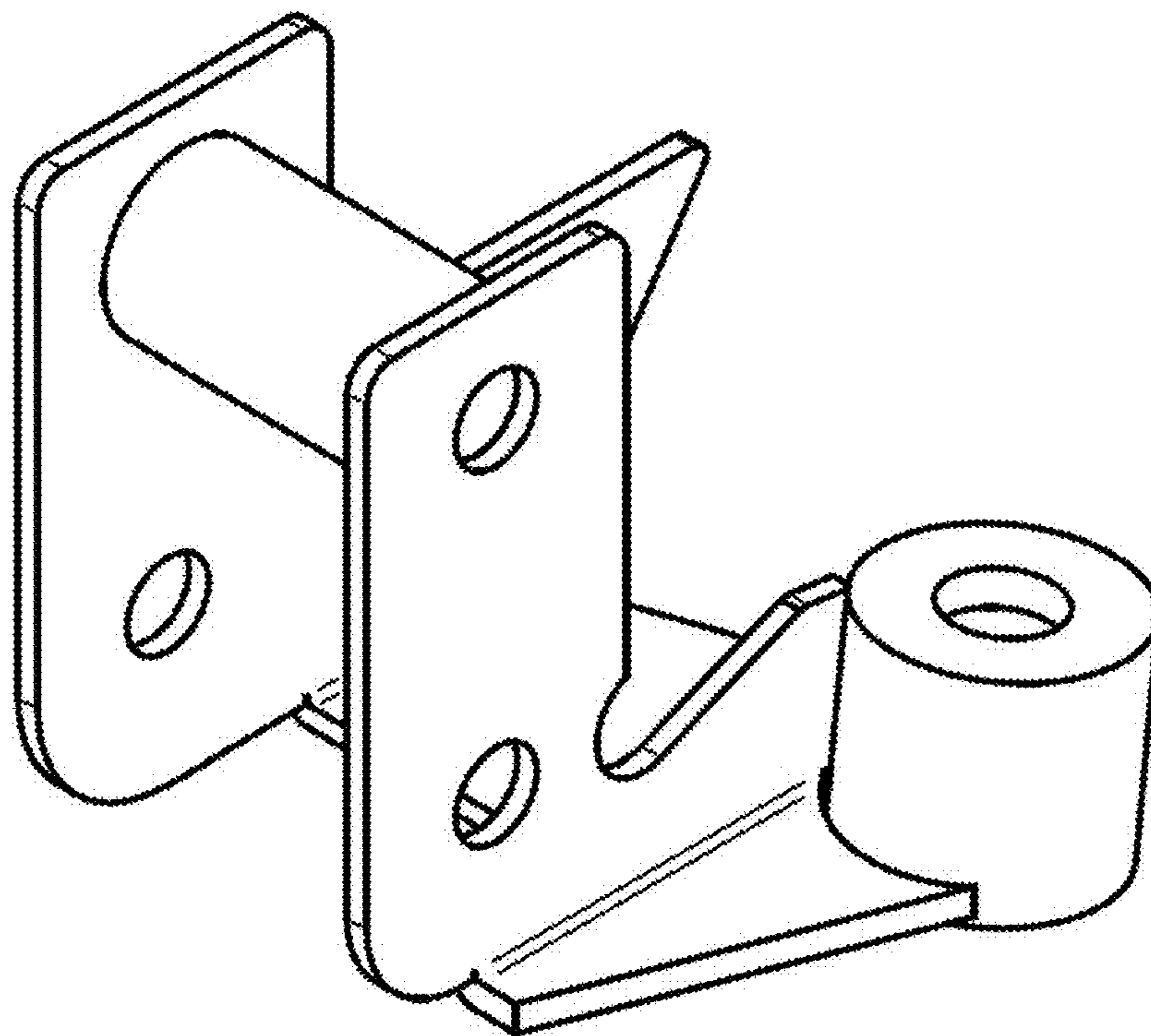


FIGURE 8

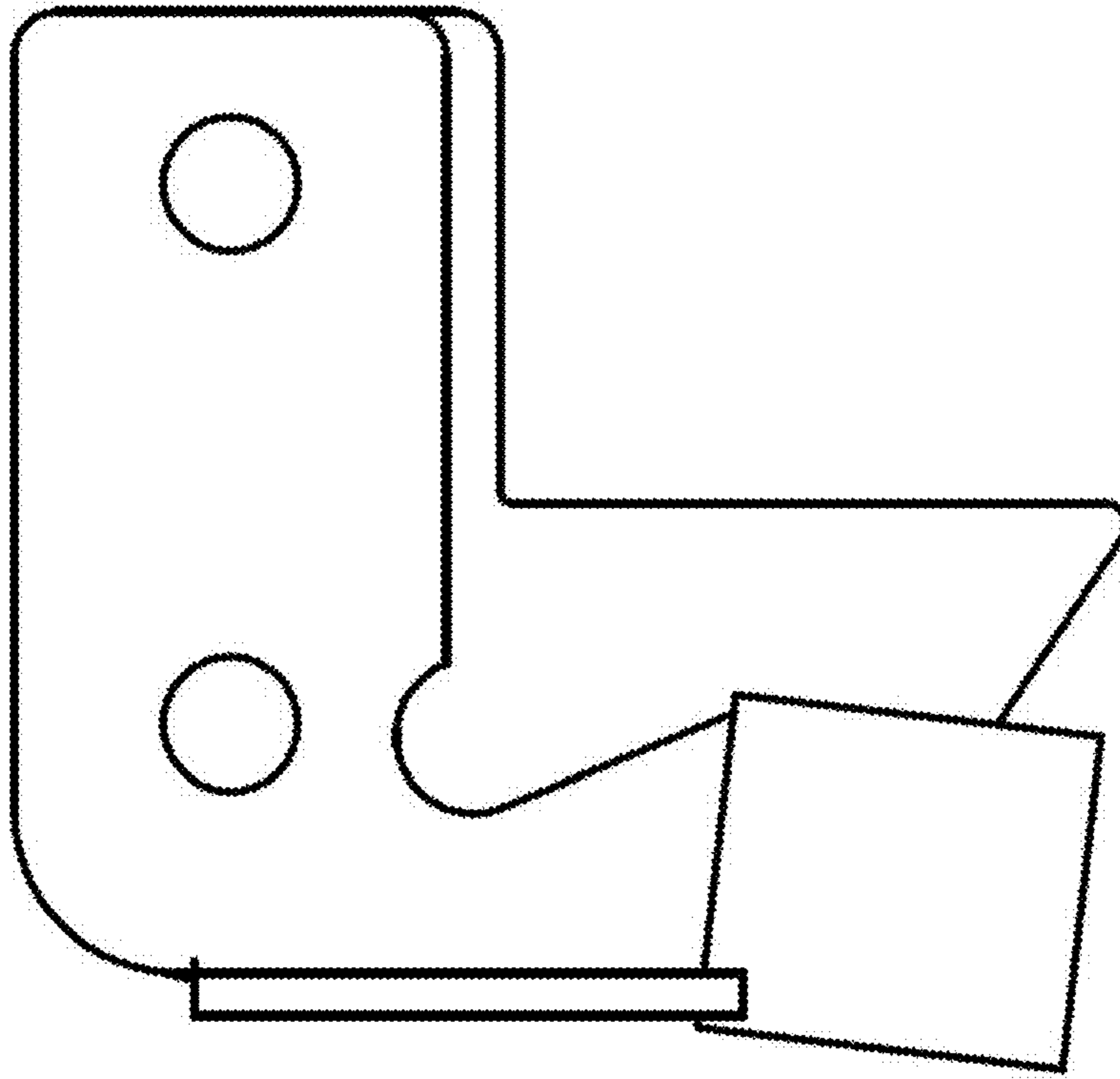


FIGURE 9

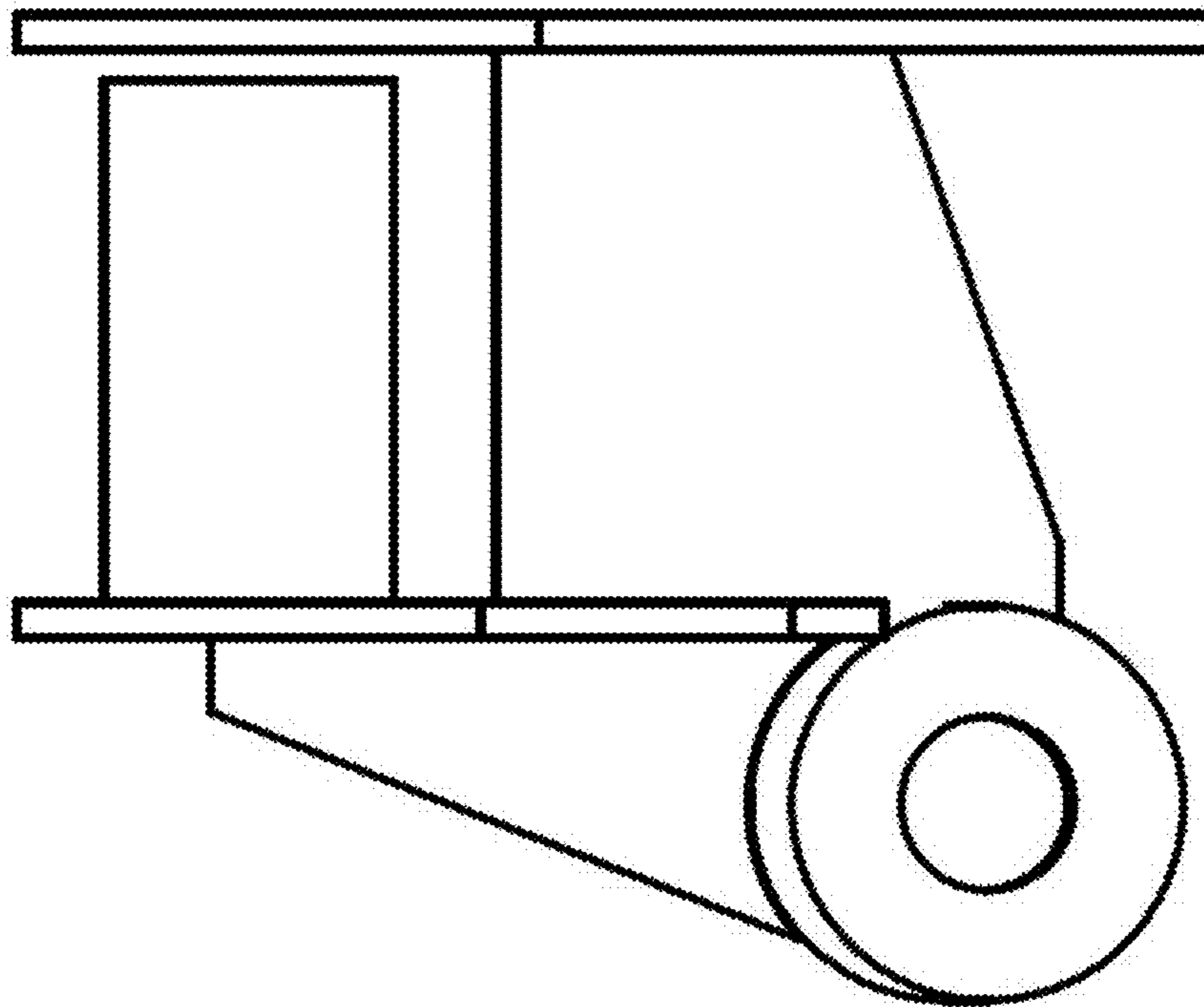


FIGURE 10