



US00D843272S

(12) **United States Design Patent**  
**Nix**

(10) **Patent No.:** **US D843,272 S**  
(45) **Date of Patent:** **\*\* Mar. 19, 2019**

- (54) **CARRIAGE ACCESSORY**
- (71) Applicant: **Heather Nix**, Arvada, CO (US)
- (72) Inventor: **Heather Nix**, Arvada, CO (US)
- (\*\*) Term: **15 Years**
- (21) Appl. No.: **29/587,312**
- (22) Filed: **Dec. 12, 2016**
- (51) **LOC (11) Cl.** ..... **12-12**
- (52) **U.S. Cl.**  
USPC ..... **D12/133**
- (58) **Field of Classification Search**  
USPC ..... D12/128–133  
CPC ..... B62B 7/00–7/04; B62B 9/00–9/28; A61G  
5/00–5/14  
See application file for complete search history.

- 8,864,547 B2 10/2014 Elson et al.
- 8,882,557 B2 11/2014 Fair et al.
- 8,968,048 B2 3/2015 Oren et al.

(Continued)

*Primary Examiner* — Charles D Hanson

(74) *Attorney, Agent, or Firm* — Trenner Law Firm, LLC;  
Mark D. Trenner

(57) **CLAIM**

The ornamental design for a carriage accessory, substantially as shown in the attached drawings.

**DESCRIPTION**

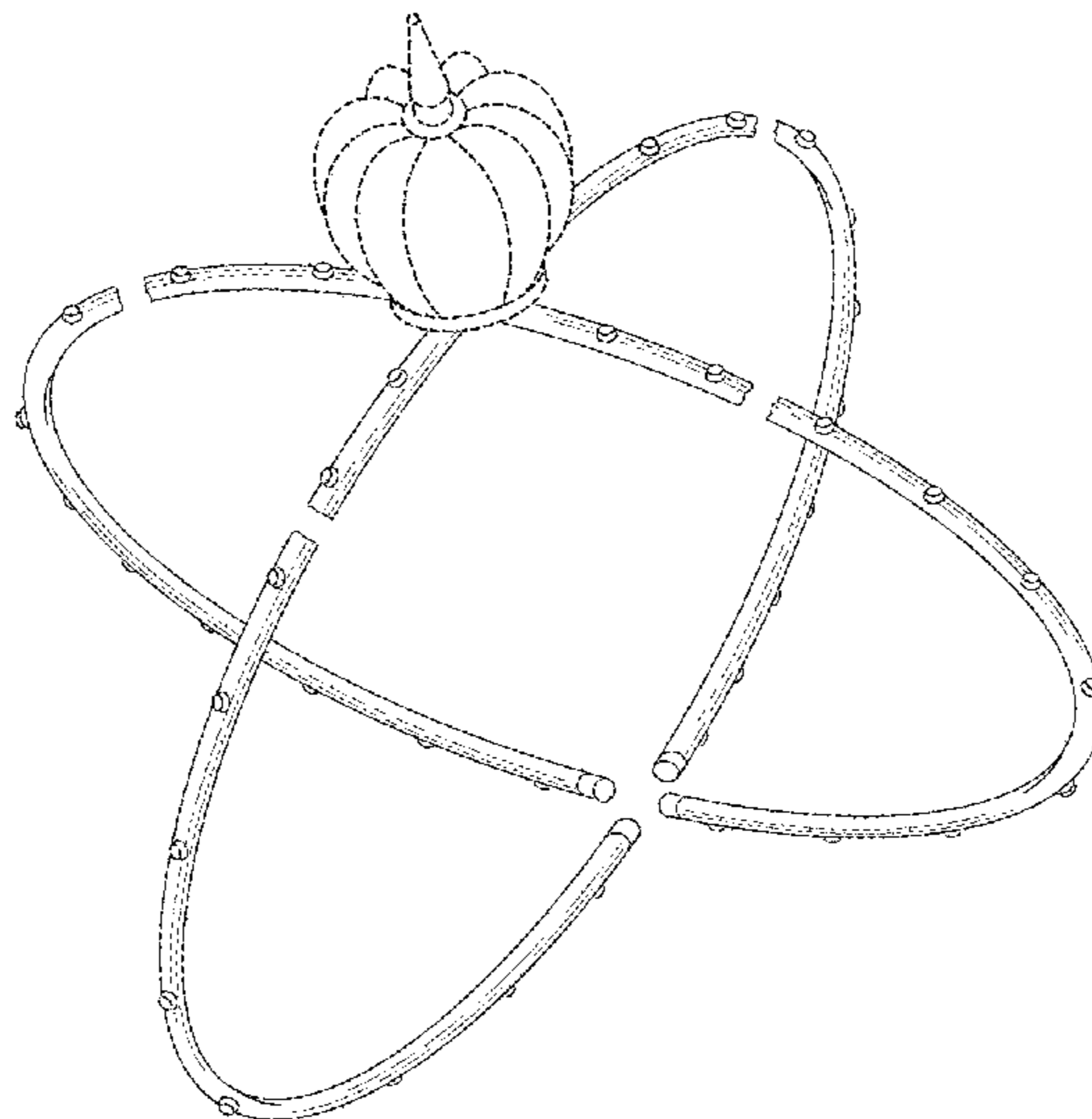
FIG. 1 is a perspective view of the carriage accessory design with lighting;  
 FIG. 2 is a top view of the design corresponding to FIG. 1;  
 FIG. 3 is a bottom view of the design corresponding to FIG. 1;  
 FIG. 4 is a right-side view of the design corresponding to FIG. 1;  
 FIG. 5 is a left-side view of the design corresponding to FIG. 1;  
 FIG. 6 is a front view of the design corresponding to FIG. 1;  
 FIG. 7 is a back view of the design corresponding to FIG. 1;  
 FIG. 8 is a perspective view of the carriage accessory design as it may be used with a wheelchair carriage, where in the wheelchair is shown in dashed lines to indicate environment but does not form a part of the design; and,  
 FIG. 9 is a perspective view of the carriage accessory design as it may be used with a stroller carriage, where in the wheelchair is shown in dashed lines to indicate environment but does not form a part of the design.  
 Wherein the shaft portions are shown “broken” to indicate that the shaft portions may be any suitable length, and the crown is shown in dashed lines to indicate environment but does not form a part of the design.

(56) **References Cited**

U.S. PATENT DOCUMENTS

4,533,170	A *	8/1985	Banks	.....	B62B 9/142 135/88.01
4,702,719	A	10/1987	Lapid		
4,722,713	A	2/1988	Williams et al.		
5,494,329	A	2/1996	Gonzalez et al.		
5,542,732	A	8/1996	Pohman		
D400,129	S *	10/1998	Udelhoven	.....	D12/130
5,930,854	A	8/1999	O’Neill et al.		
D475,659	S *	6/2003	Diaz	.....	D12/129
6,592,425	B2	7/2003	Bapst et al.		
6,860,786	B2	3/2005	Oren et al.		
6,877,763	B2 *	4/2005	Ulrich	.....	B62B 7/10 280/649
D554,028	S *	10/2007	Quinn	.....	D12/129
D556,097	S *	11/2007	Quinn	.....	D12/129
D571,691	S *	6/2008	Quinn	.....	D12/129
D600,168	S *	9/2009	Quinn	.....	D12/129
8,746,794	B2	6/2014	Oren et al.		

**1 Claim, 8 Drawing Sheets**



(56)

**References Cited**

U.S. PATENT DOCUMENTS

9,155,974 B2 10/2015 Fair et al.  
9,463,821 B1 \* 10/2016 Critchley ..... B62B 9/10  
9,757,660 B2 9/2017 Leibovics et al.  
9,821,240 B2 11/2017 Hansen et al.  
2004/0077269 A1 4/2004 Oren et al.  
2004/0242118 A1 12/2004 Schreiber-Setzemeski et al.  
2006/0037274 A1 2/2006 Perez et al.

\* cited by examiner

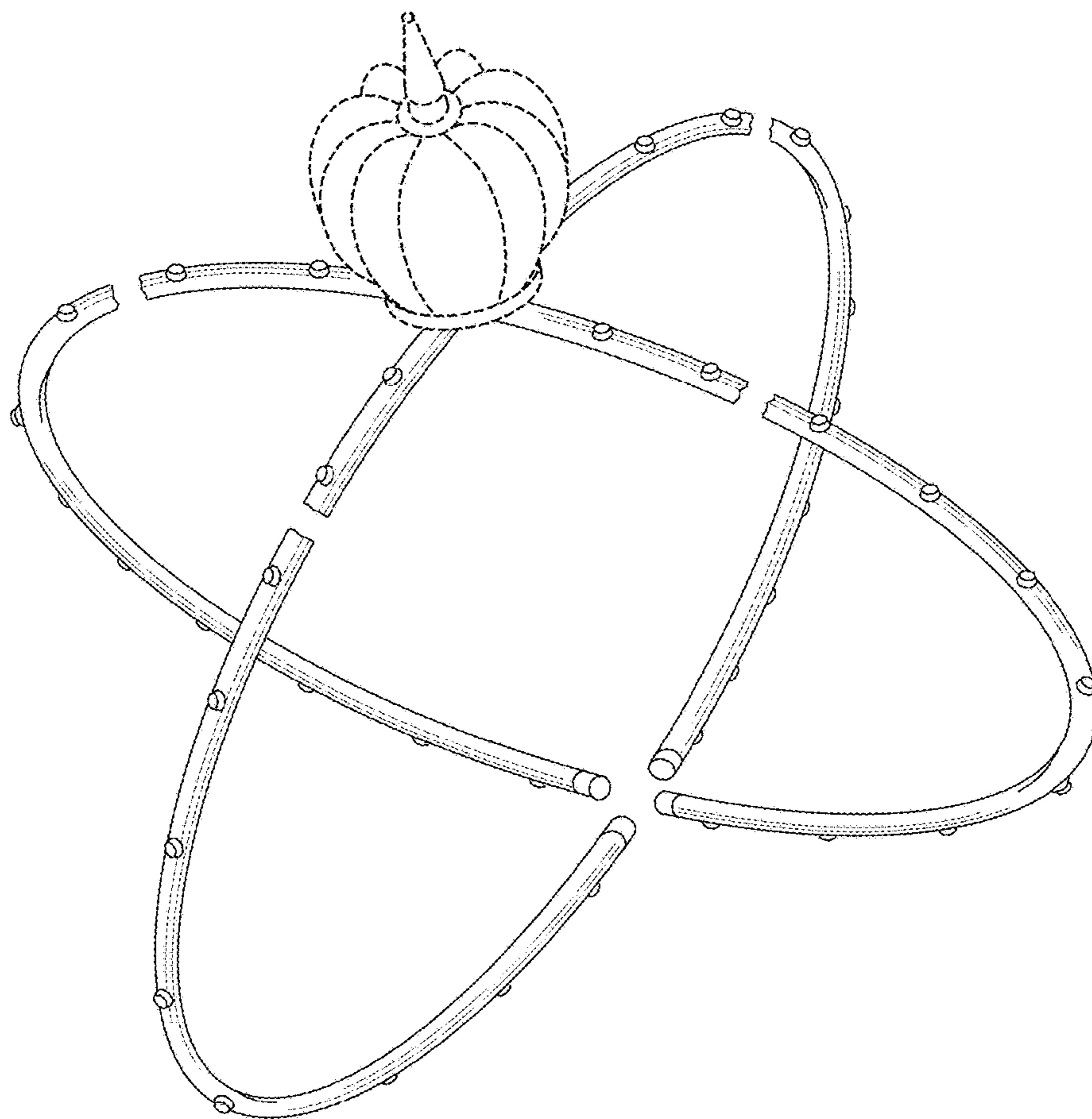


FIG. 1

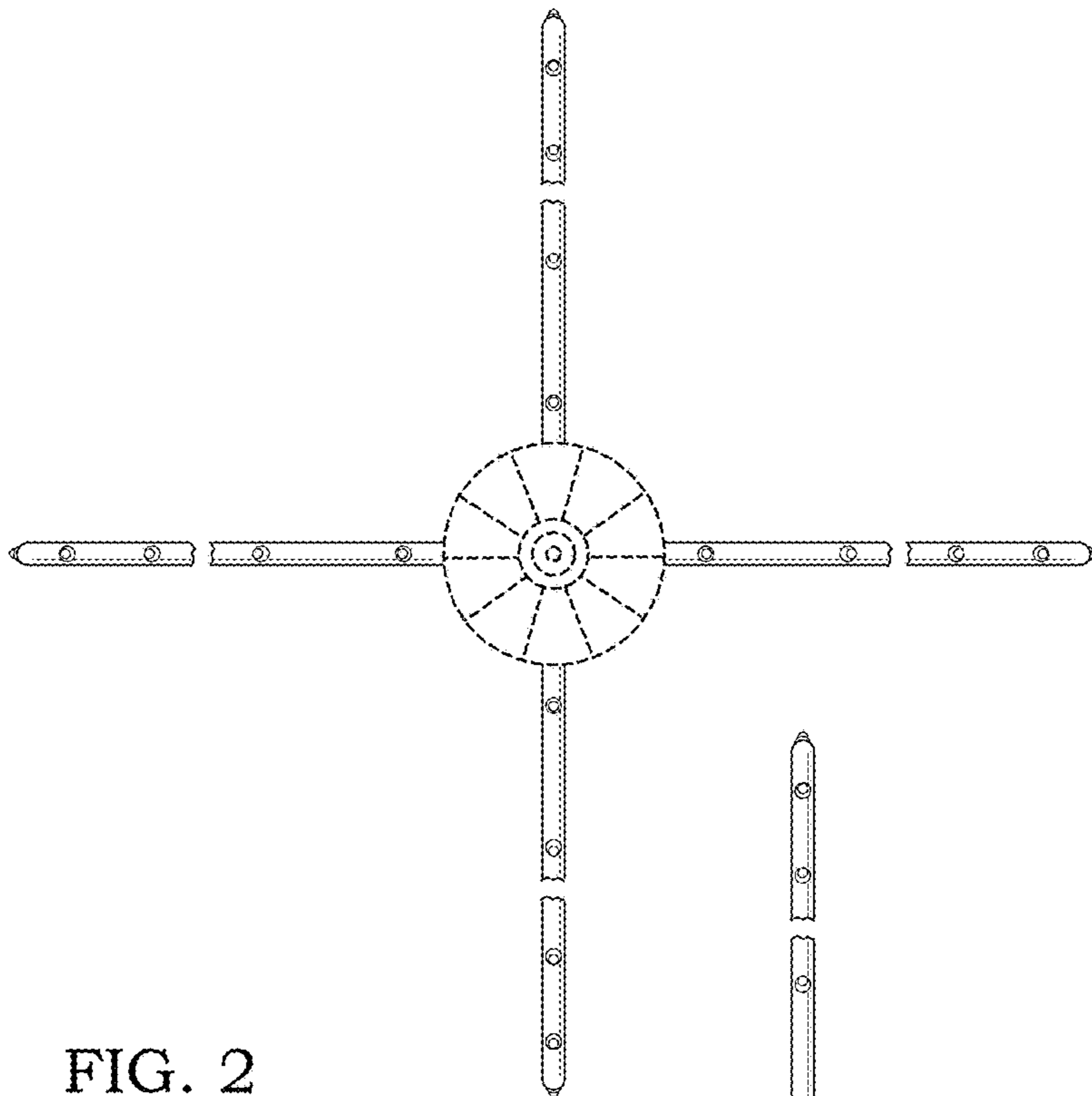


FIG. 2

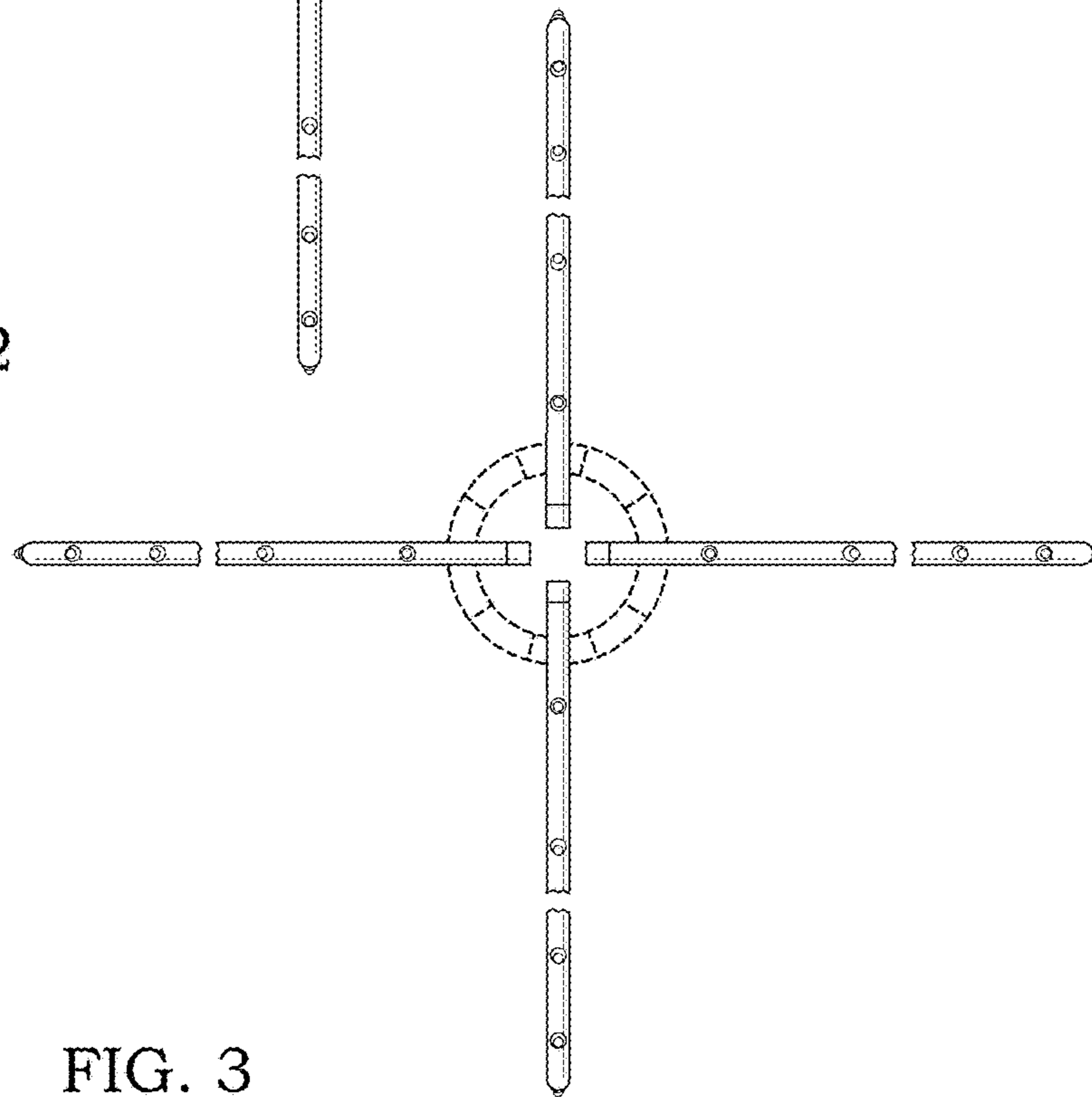


FIG. 3

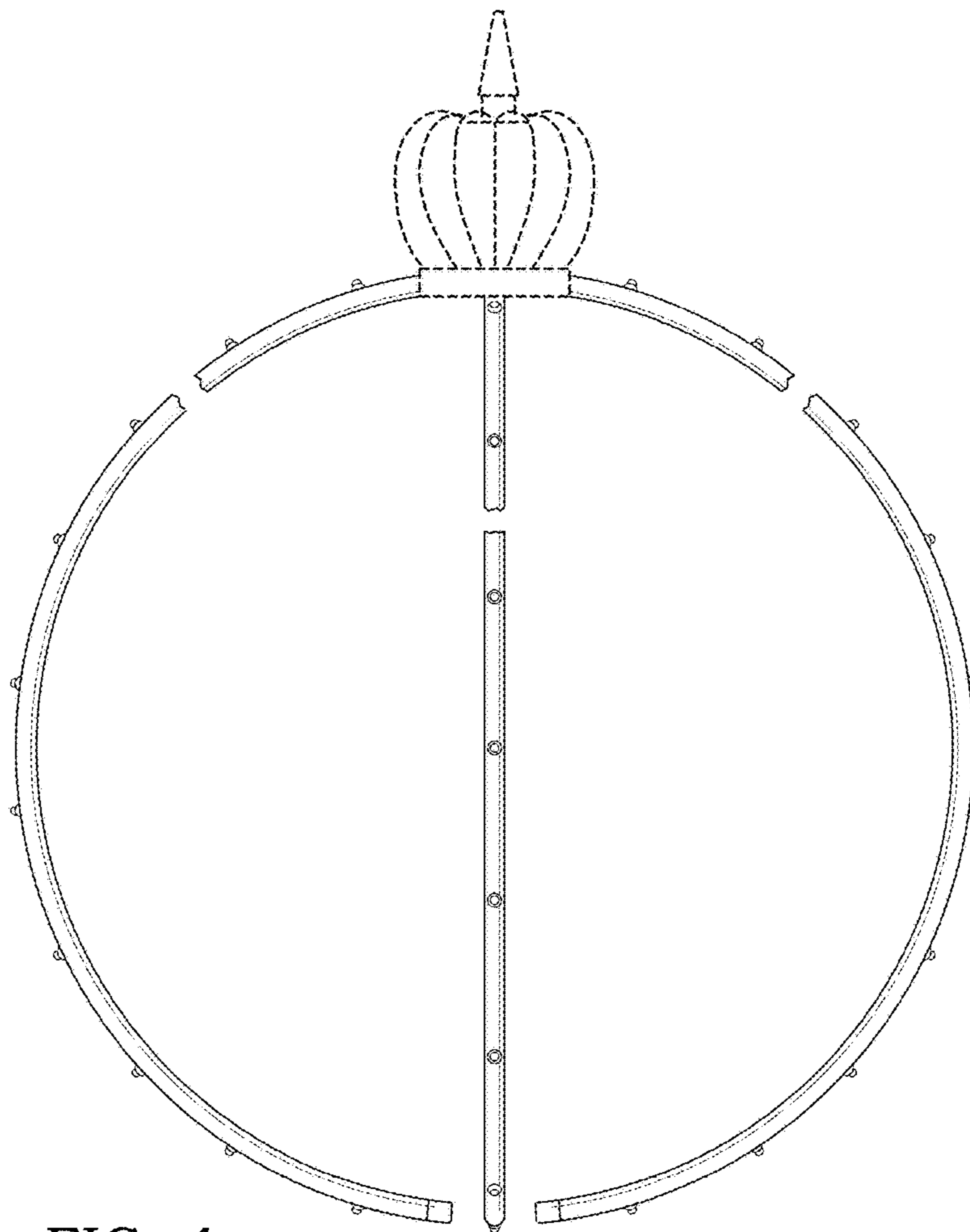


FIG. 4

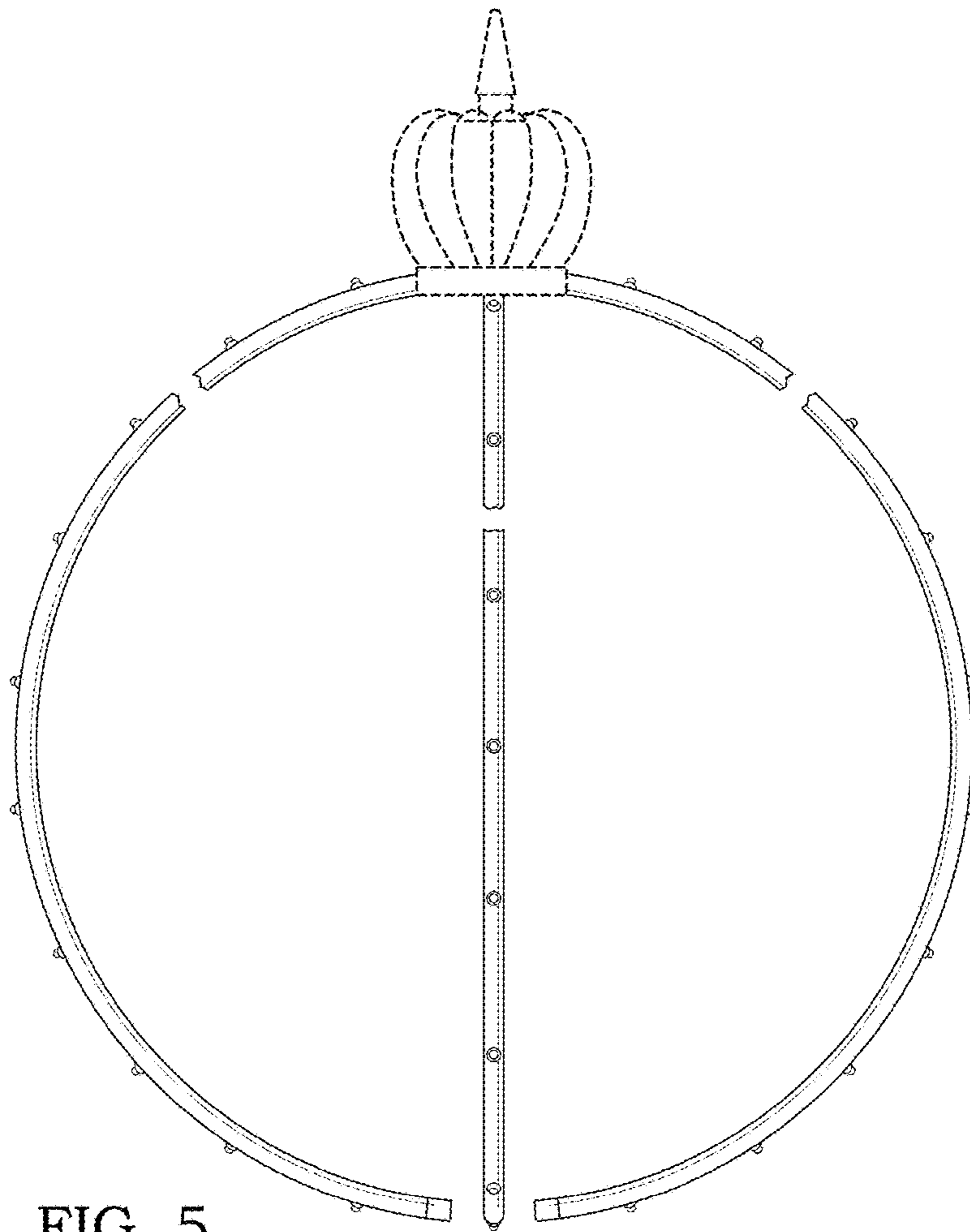


FIG. 5

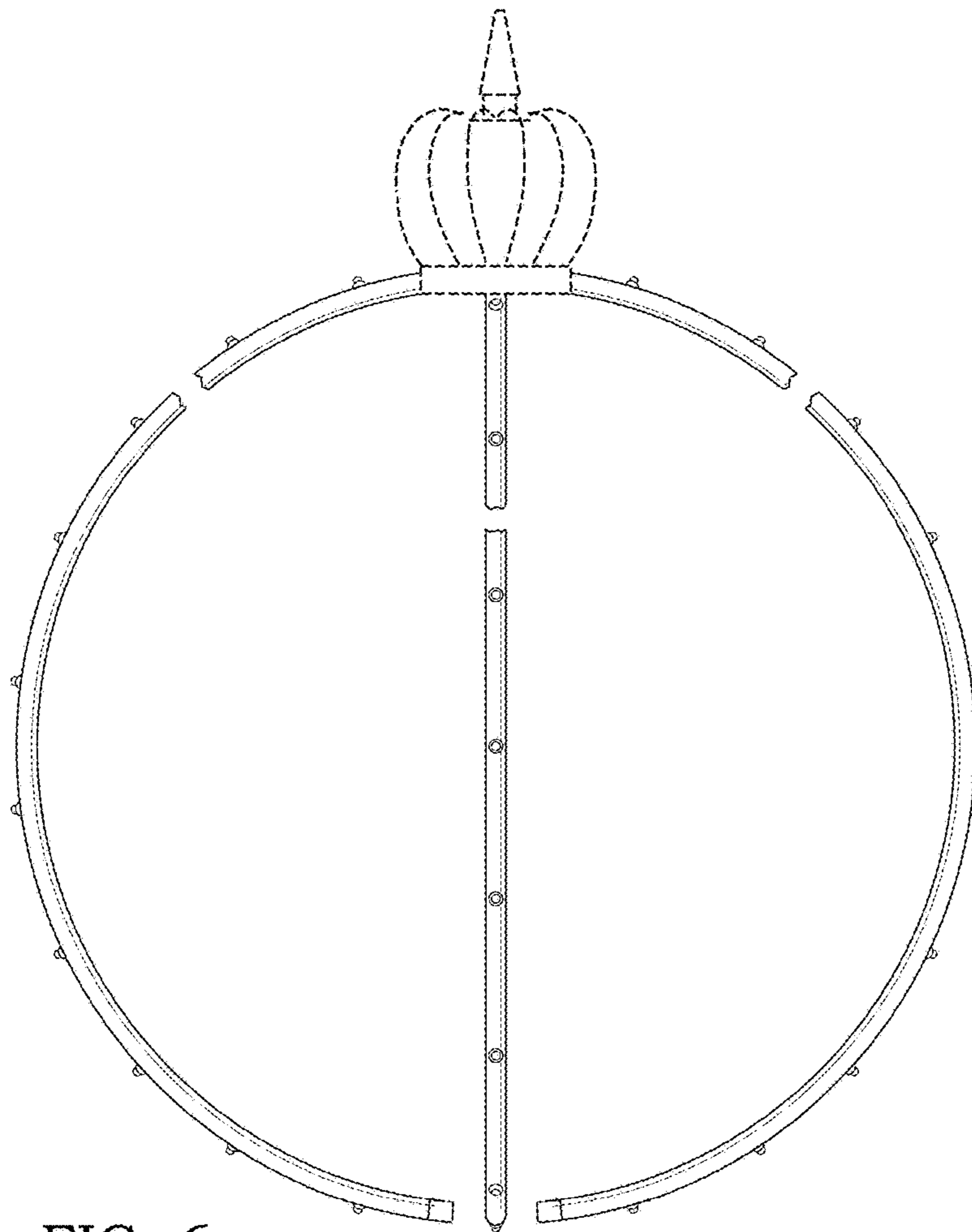


FIG. 6

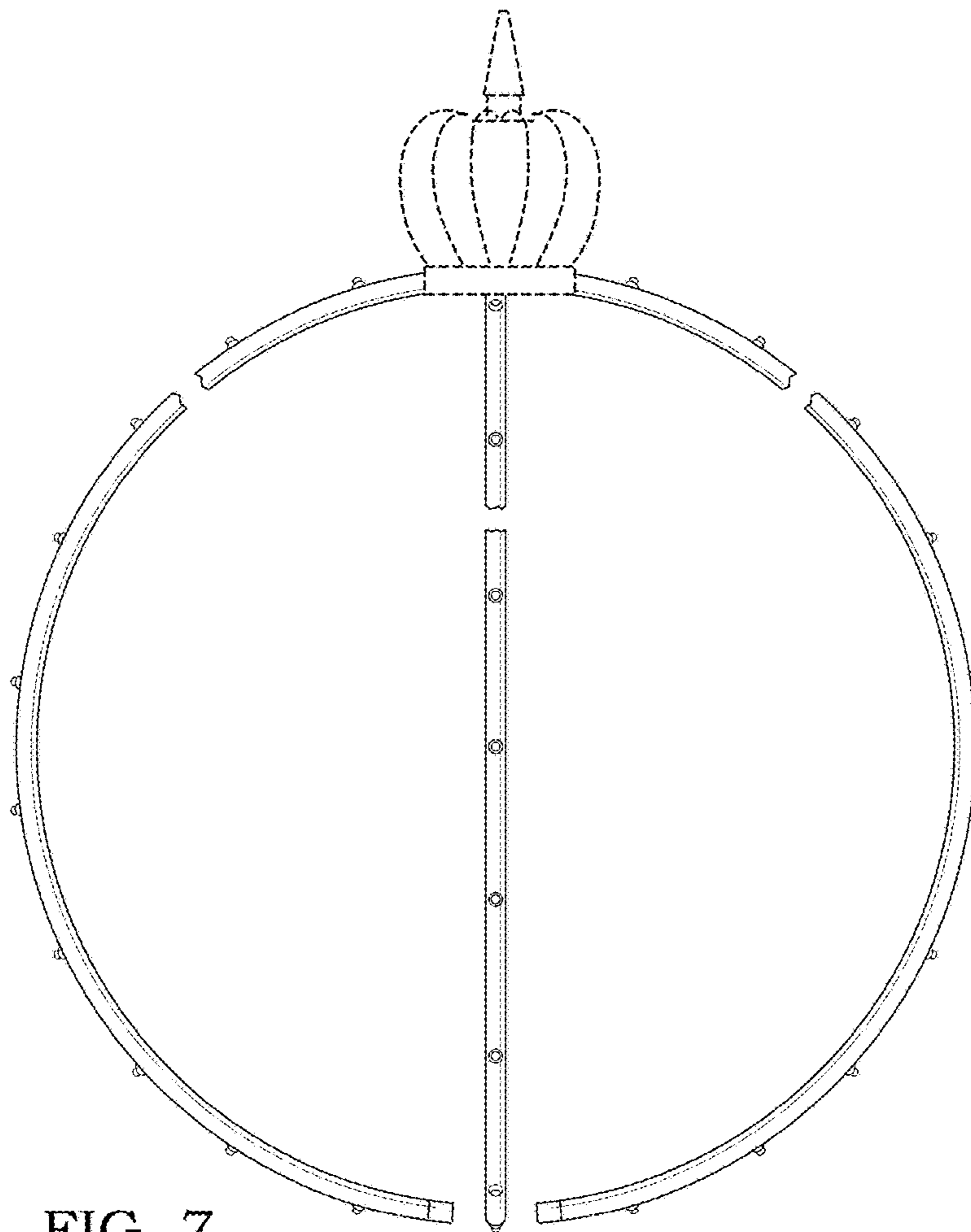


FIG. 7



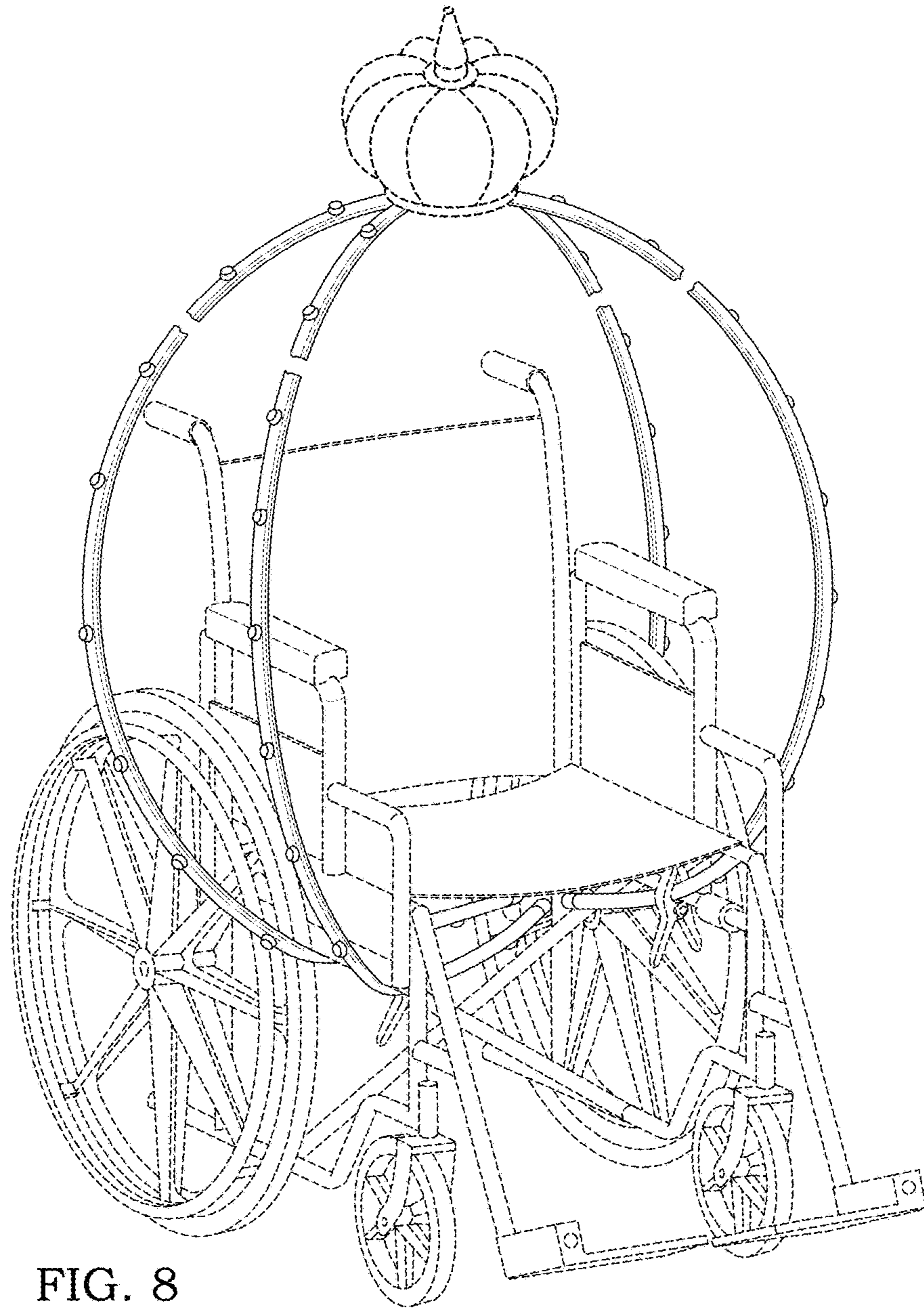


FIG. 8

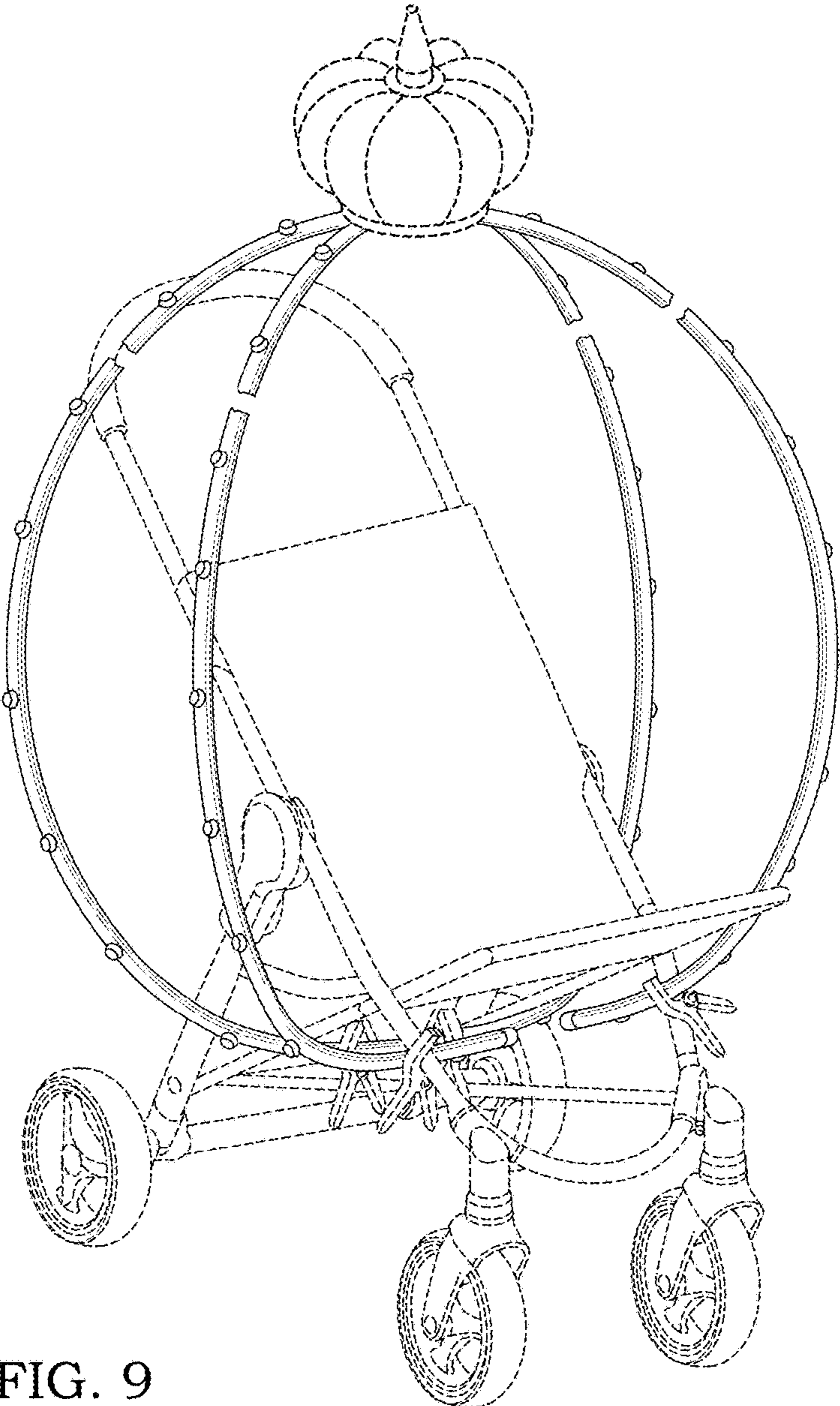


FIG. 9