



US00D843271S

(12) **United States Design Patent**
McFarland

(10) **Patent No.:** **US D843,271 S**
(45) **Date of Patent:** **** Mar. 19, 2019**

(54) **CRANKSET FOR A CONVERTIBLE BICYCLE**

(71) Applicant: **Strider Sports International, Inc.**,
Rapid City, SD (US)

(72) Inventor: **Ryan McFarland**, Rapid City, SD (US)

(73) Assignee: **Strider Sports International, Inc.**,
Rapid City, SD (US)

(**) Term: **15 Years**

(21) Appl. No.: **29/613,533**

(22) Filed: **Aug. 10, 2017**

Related U.S. Application Data

(63) Continuation of application No. 15/605,694, filed on
May 25, 2017.

(51) **LOC (11) Cl.** **12-11**

(52) **U.S. Cl.**
USPC **D12/123**

(58) **Field of Classification Search**
USPC D12/111, 122-127
CPC F16H 7/06; F16H 55/30; F16H 55/303;
F16F 55/12; B62M 9/105
See application file for complete search history.

(56) **References Cited**

U.S. PATENT DOCUMENTS

640,756 A 1/1900 Douglas
3,945,667 A 3/1976 Cipres
4,171,822 A * 10/1979 Thun B62M 1/36
280/259
4,704,919 A * 11/1987 Durham B62M 3/003
74/594.1
4,793,208 A * 12/1988 Bregnard B62M 1/36
280/236
6,164,157 A * 12/2000 Chen B62M 3/003
74/594.1

6,199,449 B1 * 3/2001 Harrington B62M 3/003
464/137
6,543,308 B2 * 4/2003 Harrington B62M 3/003
74/594.1
D485,791 S * 1/2004 Mombrinie D12/123
7,022,037 B2 * 4/2006 Valle B62M 9/10
474/152
7,073,996 B1 * 7/2006 Hernandez B62M 3/003
411/271
D532,342 S * 11/2006 Arakawa D12/123
(Continued)

OTHER PUBLICATIONS

International Search Report and Written Opinion dated Sep. 18,
2017 for PCT/US2017/034774.

Primary Examiner — Darlington Ly

(74) *Attorney, Agent, or Firm* — Suiter Swantz pc llo

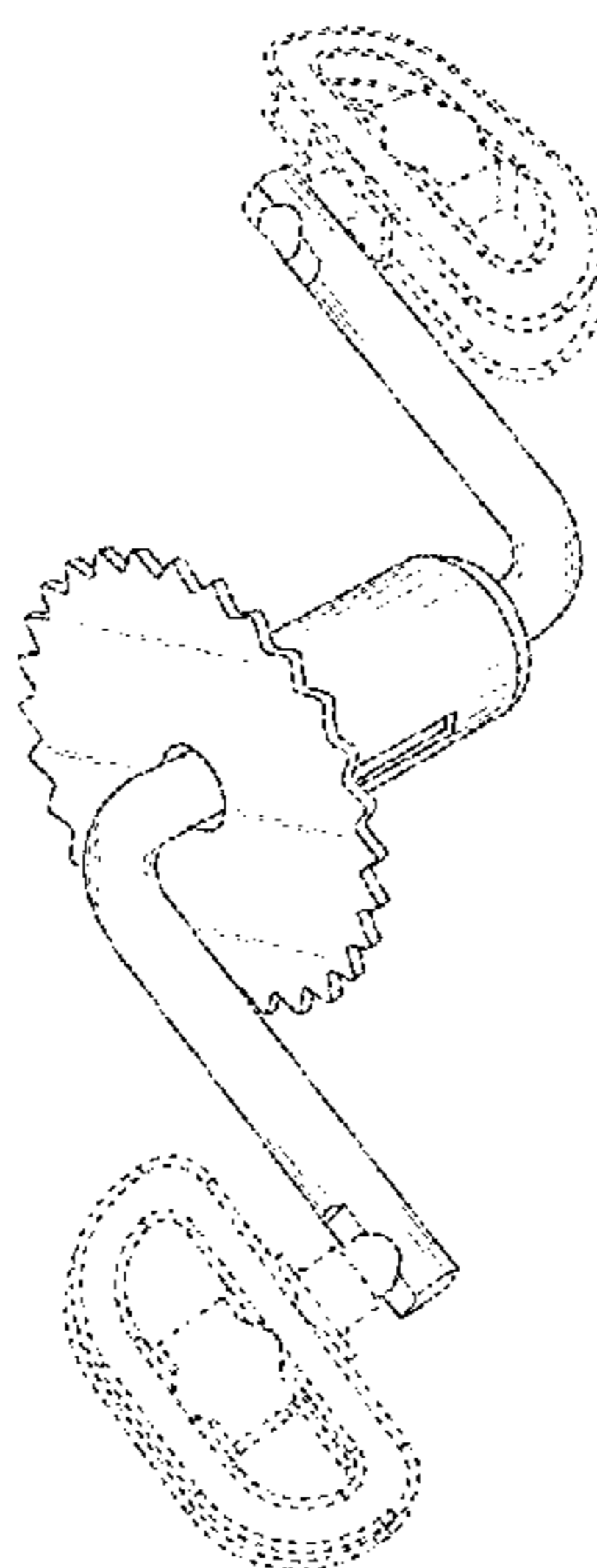
(57) **CLAIM**

The ornamental design for a crankset for a convertible
bicycle, as shown and described.

DESCRIPTION

FIG. 1 is a top, front, and right side perspective view of a
crankset for a convertible bicycle showing my new design;
FIG. 2 is a left side elevation view thereof;
FIG. 3 is a right side elevation view thereof;
FIG. 4 is a top plan view thereof;
FIG. 5 is a bottom plan view thereof;
FIG. 6 is a front elevation view thereof;
FIG. 7 is a rear elevation view thereof;
FIG. 8 is a top, front, and right side perspective view thereof
as installed on a convertible bicycle; and,
FIG. 9 is a bottom, front, and left side perspective view
thereof as installed on a convertible bicycle.
The broken lines in the drawings illustrate portions of the
crankset for a convertible bicycle that form no part of the
claimed design.

1 Claim, 9 Drawing Sheets



(56)

References Cited

U.S. PATENT DOCUMENTS

7,267,030 B2 * 9/2007 French B62M 3/00
280/210
D553,055 S * 10/2007 Tokumoto D12/123
D580,303 S * 11/2008 Okada D12/123
D607,784 S * 1/2010 Gisbert D12/123
7,798,513 B1 9/2010 Salvant
8,025,304 B2 * 9/2011 Smith B62M 3/003
280/259
D675,549 S * 2/2013 Noborio D12/123
8,770,061 B2 * 7/2014 Meggiolan B62M 3/003
74/594.1
D749,988 S * 2/2016 Sgreva D12/123
D756,270 S * 5/2016 Sgreva D12/123
D811,277 S * 2/2018 Migaszewski D12/123
2008/0315553 A1 12/2008 Girout et al.
2012/0000735 A1 1/2012 Iwai et al.

* cited by examiner

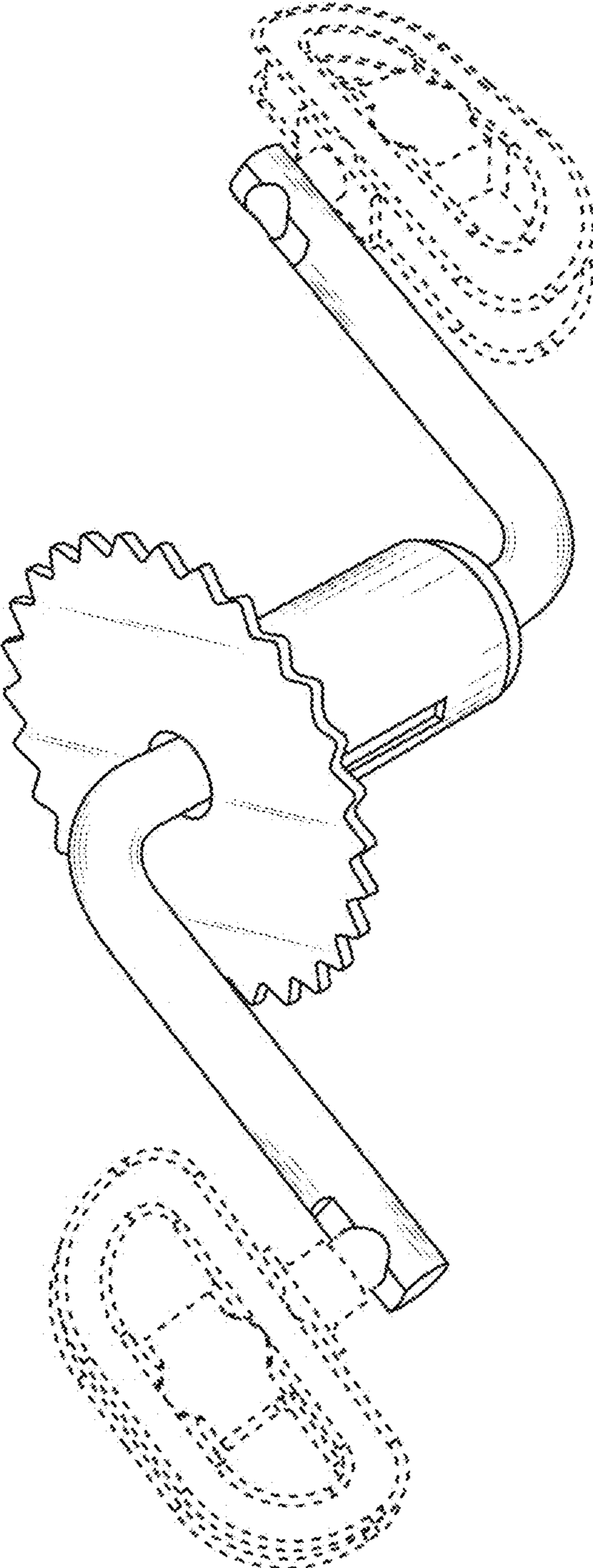


FIG. 1

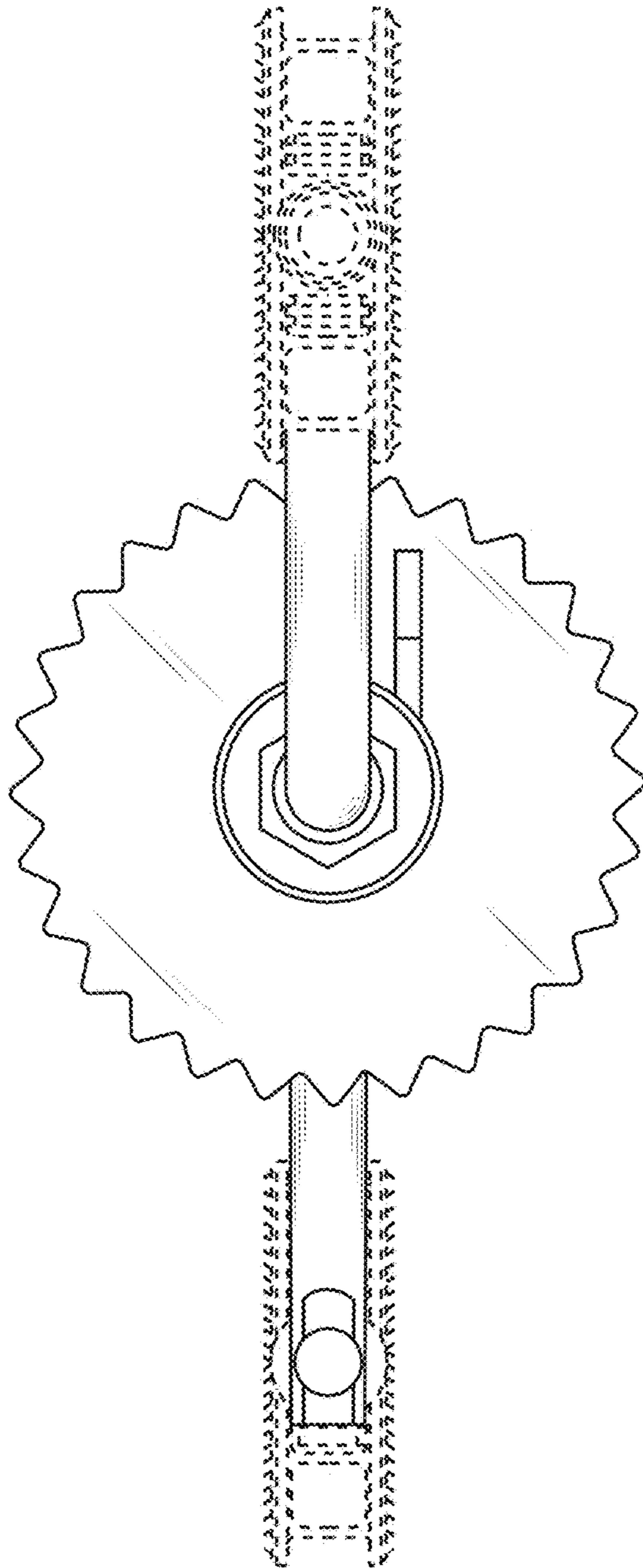


FIG.2

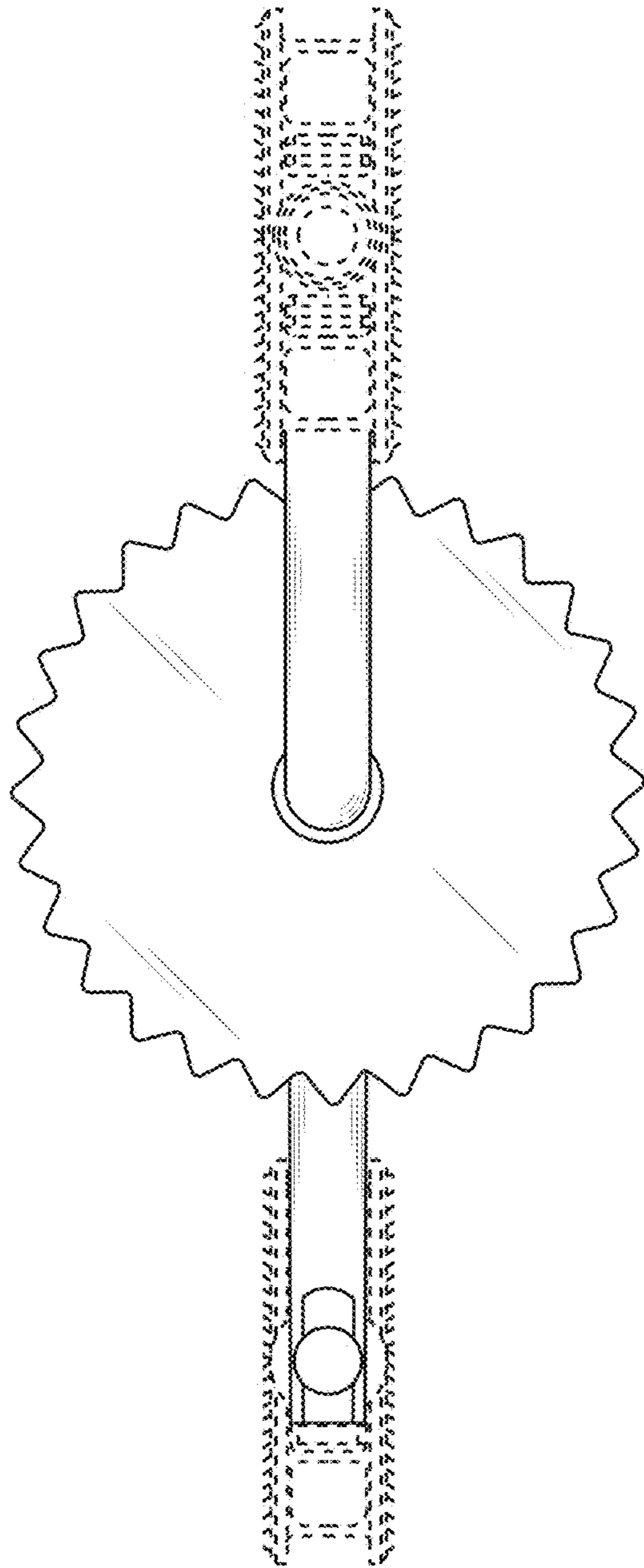


FIG. 3

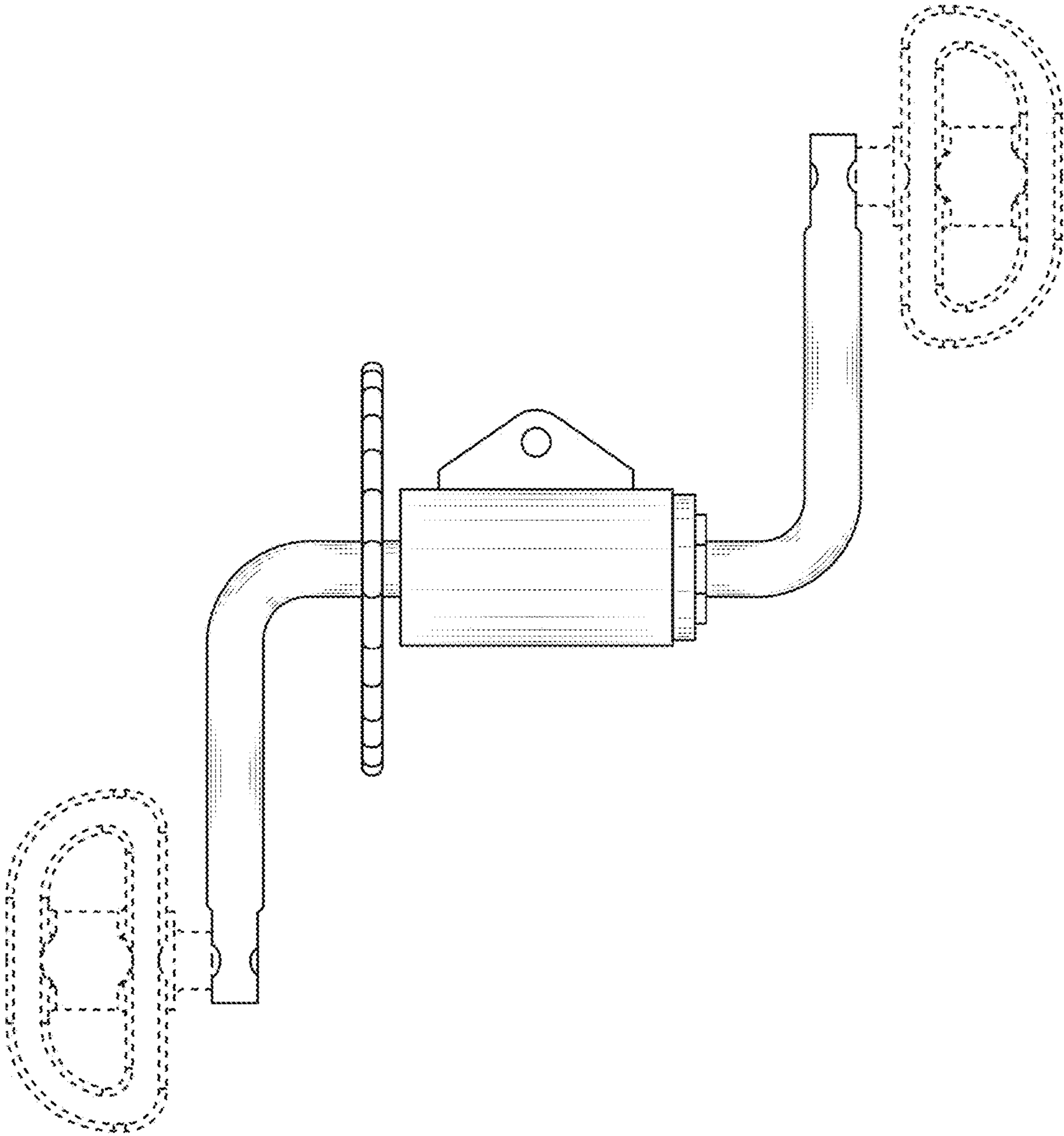


FIG.4

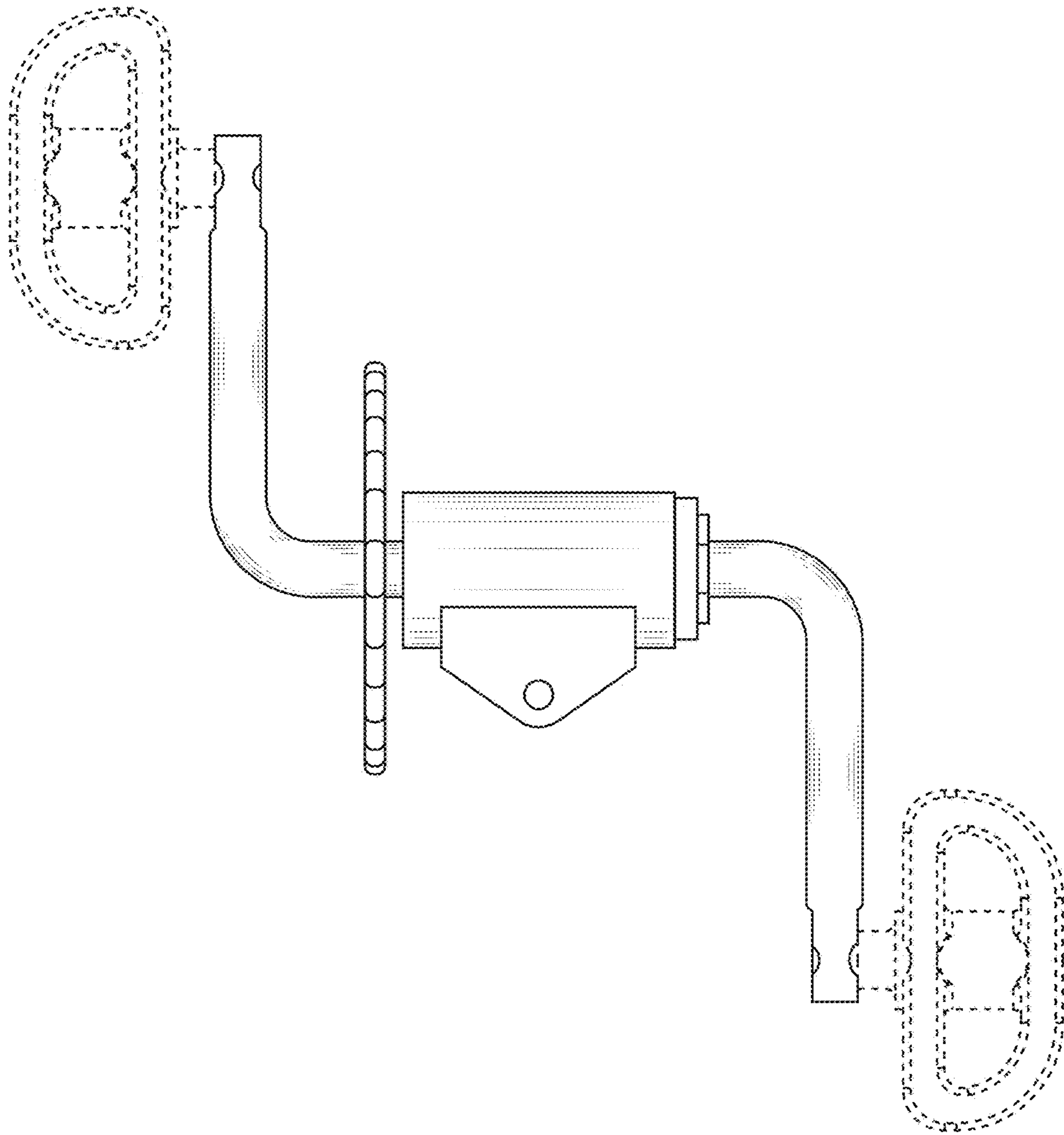


FIG. 5

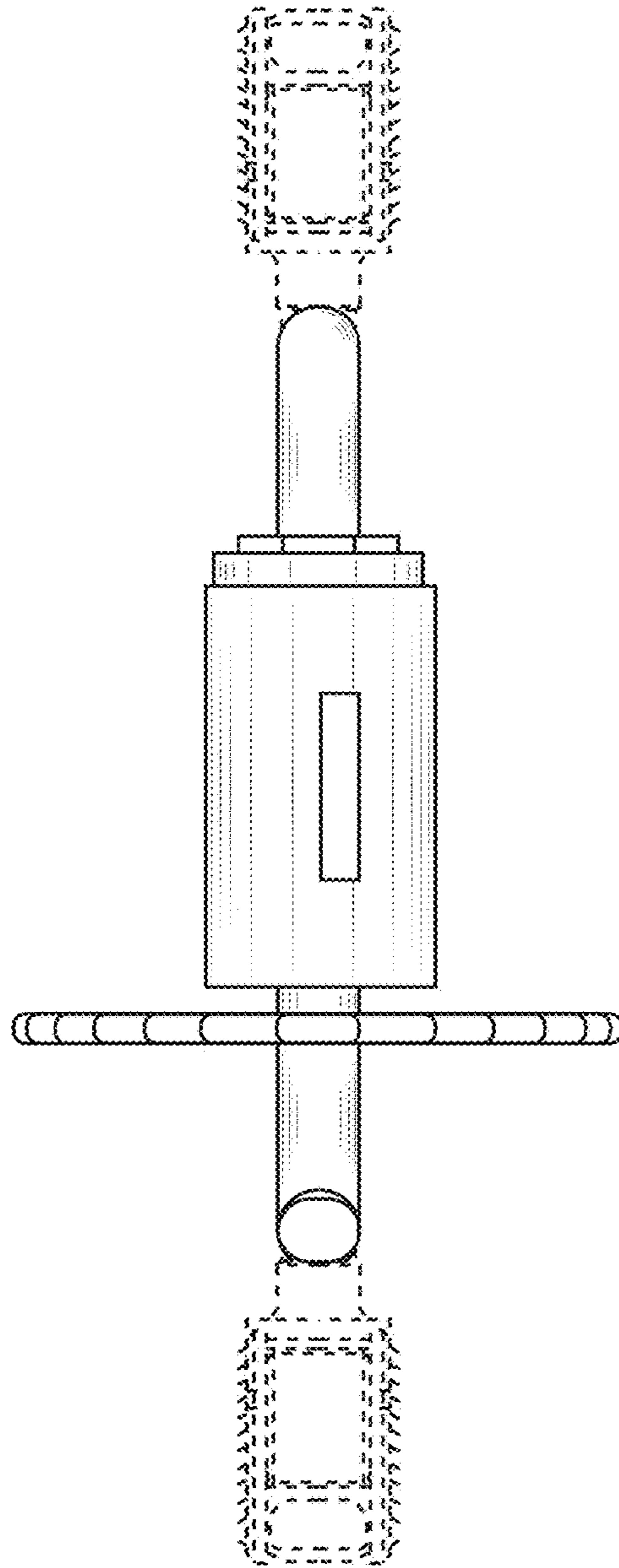


FIG. 6

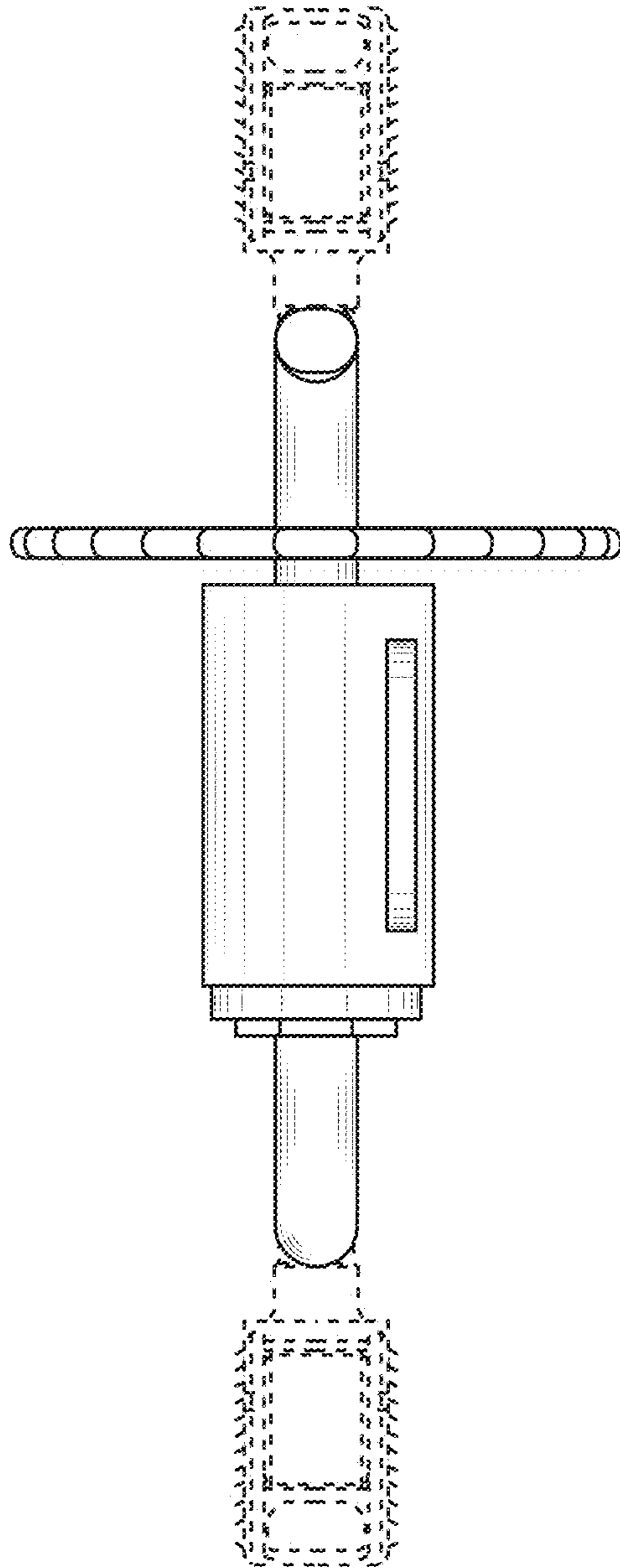


FIG. 7

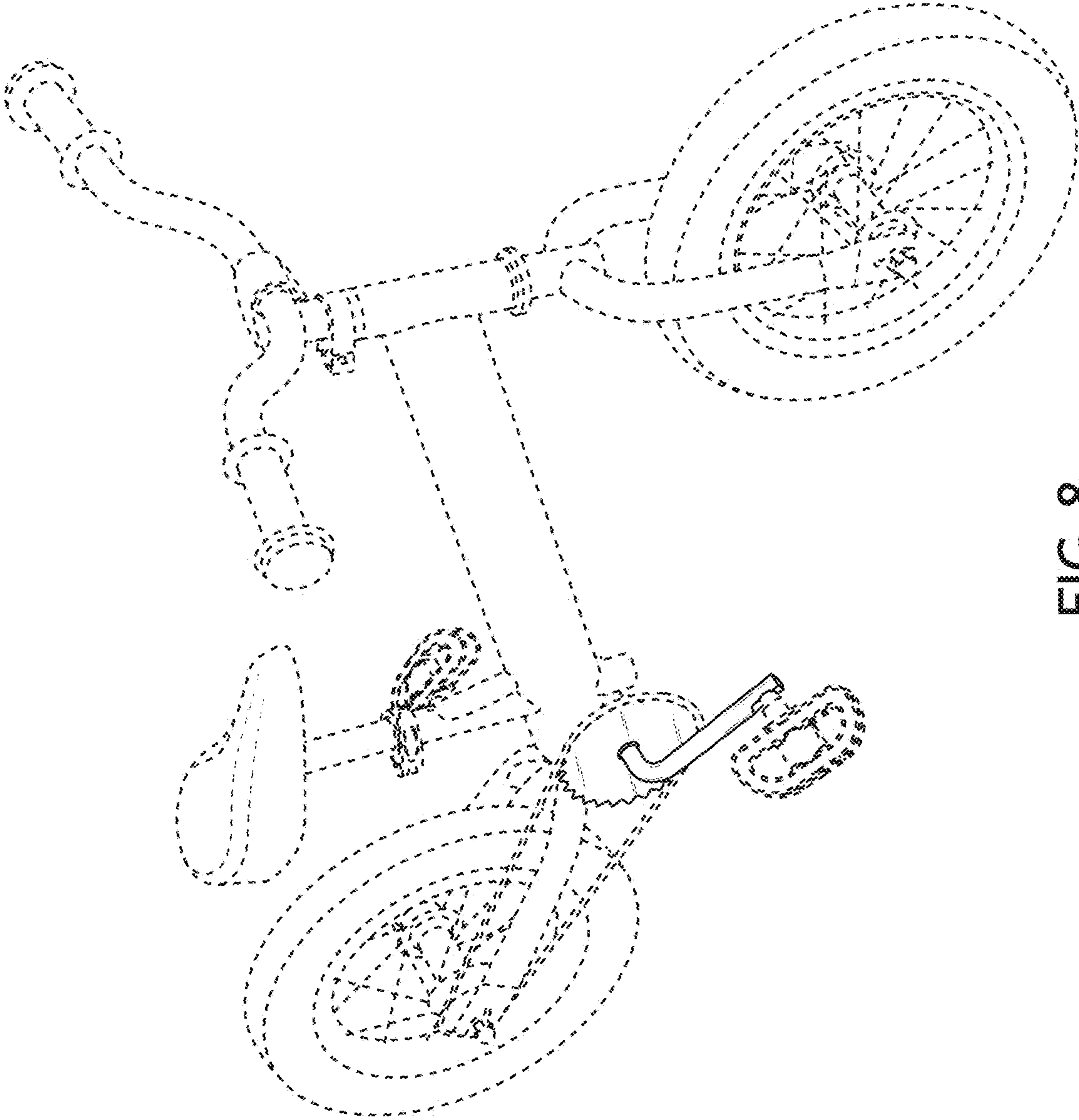


FIG. 8

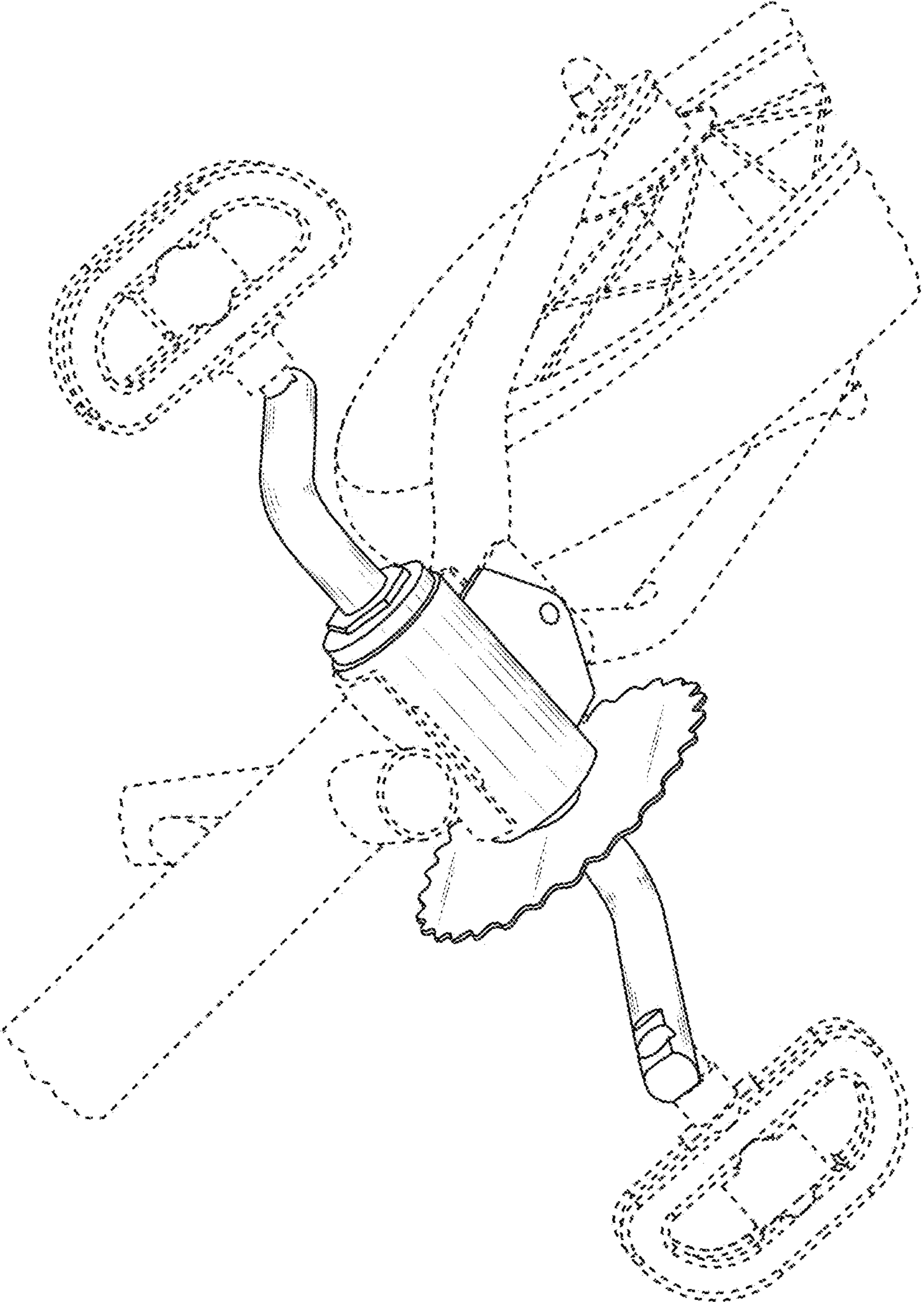


FIG. 9