



US00D843270S

(12) **United States Design Patent** (10) **Patent No.:** **US D843,270 S**  
**Salvoli Mariani et al.** (45) **Date of Patent:** **\*\* Mar. 19, 2019**

(54) **BICYCLE STEM**  
(71) Applicant: **Volata Cycles, Inc.**, San Francisco, CA (US)  
(72) Inventors: **Marco Salvoli Mariani**, San Francisco, CA (US); **Mattia De Santis**, Milan (IT); **Motoki Yoshio**, Milan (IT)  
(73) Assignee: **Volata Cycles, Inc.**  
(\*\*) Term: **15 Years**  
(21) Appl. No.: **29/593,523**  
(22) Filed: **Feb. 9, 2017**

**Related U.S. Application Data**

(62) Division of application No. PCT/US2016/047057, filed on Aug. 15, 2016.  
(51) **LOC (11) Cl.** ..... **12-11**  
(52) **U.S. Cl.**  
USPC ..... **D12/118**  
(58) **Field of Classification Search**  
USPC ..... D12/111, 117, 118, 178  
CPC ..... B62K 19/40; B62K 21/12; B62K 21/18; B62J 11/00  
See application file for complete search history.

(56) **References Cited**

**U.S. PATENT DOCUMENTS**

D307,405 S \* 4/1990 Kiyota ..... D12/118  
D313,206 S \* 12/1990 Ringle ..... D12/118  
5,241,881 A \* 9/1993 Chen ..... B62K 21/14 280/276  
D341,801 S \* 11/1993 McCormack ..... D12/118  
D342,050 S \* 12/1993 Gustafsson ..... 280/279  
D351,574 S \* 10/1994 Chang ..... D12/118  
D354,259 S \* 1/1995 Kurke ..... D12/118

D356,759 S \* 3/1995 Pawsat ..... D12/118  
5,404,769 A \* 4/1995 Kao ..... B62K 21/16 280/279  
D362,650 S \* 9/1995 Burns ..... D12/118  
D381,296 S \* 7/1997 Kurke ..... D12/118  
D416,521 S \* 11/1999 Giard ..... D12/118  
6,309,135 B1 \* 10/2001 Thomson ..... B62K 21/12 403/344  
D451,847 S \* 12/2001 Thomson ..... D12/118  
6,945,135 B1 \* 9/2005 Thomson ..... B62K 21/12 403/344  
D512,348 S \* 12/2005 McJunkin ..... D12/118  
D515,480 S \* 2/2006 McJunkin ..... D12/178  
D515,481 S \* 2/2006 McJunkin ..... D12/178  
D515,983 S \* 2/2006 McJunkin ..... D12/118  
D516,965 S \* 3/2006 McJunkin ..... D12/118  
D527,991 S \* 9/2006 Chiang ..... D12/118  
D528,047 S \* 9/2006 McJunkin ..... D12/118  
D688,167 S \* 8/2013 Klieber ..... D12/118  
D753,025 S \* 4/2016 Chen ..... D12/118  
2005/0248120 A1 \* 11/2005 McJunkin ..... B62K 21/12 280/279  
2009/0079160 A1 \* 3/2009 Lai ..... B62K 21/16 280/279  
2011/0219908 A1 \* 9/2011 Wehage ..... B62K 21/16 74/551.1

(Continued)

*Primary Examiner* — Darlington Ly  
(74) *Attorney, Agent, or Firm* — Staniford Tomita LLP

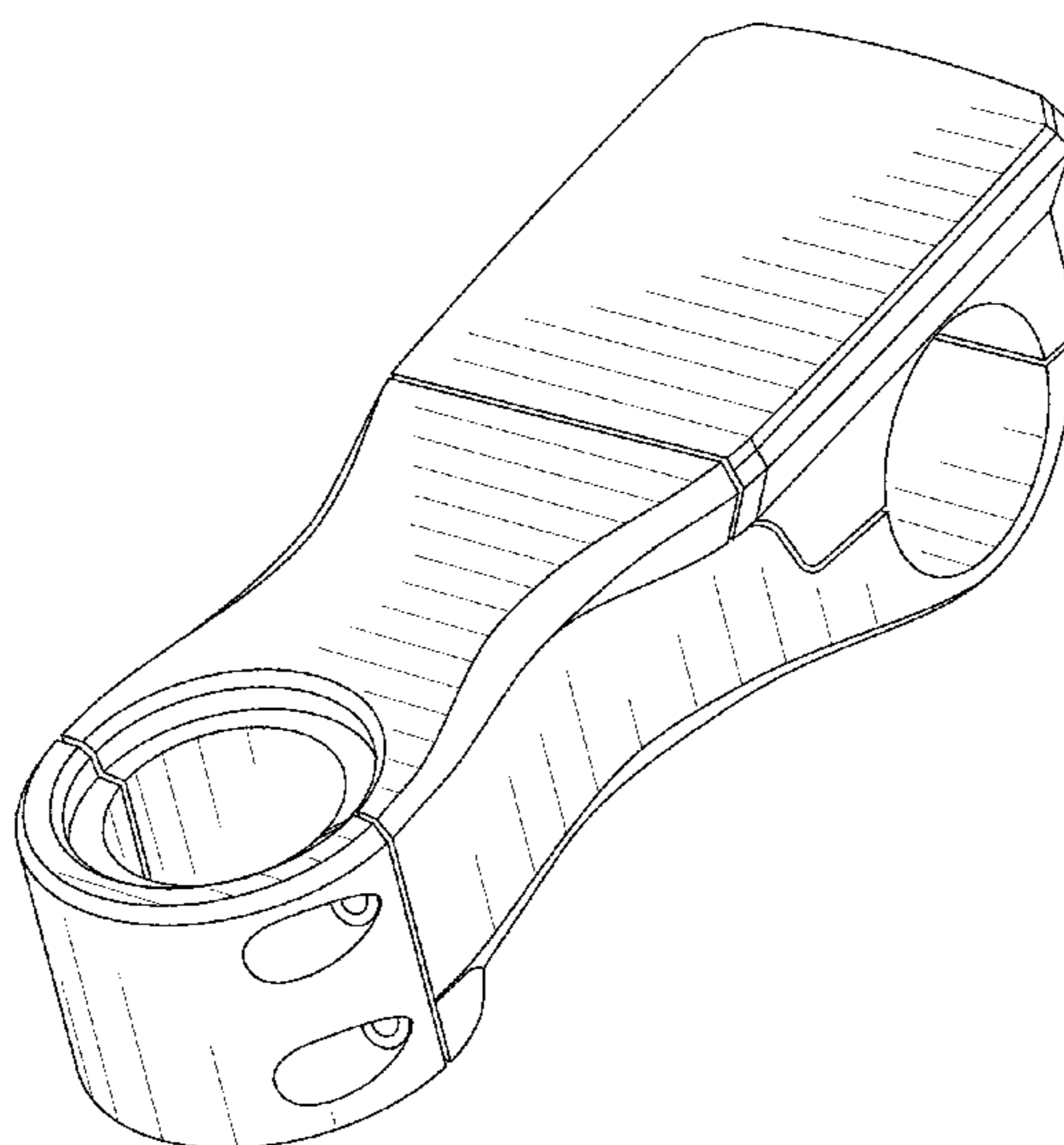
(57) **CLAIM**

The ornamental design for a bicycle stem, as shown and described.

**DESCRIPTION**

FIG. 1 is a top plan view of a bicycle stem showing our new design;  
FIG. 2 is a side elevation view thereof;  
FIG. 3 is a top, rear, and side perspective view thereof; and,  
FIG. 4 is a top, front, and side perspective view thereof.

**1 Claim, 4 Drawing Sheets**



(56)

**References Cited**

U.S. PATENT DOCUMENTS

2014/0116195	A1 *	5/2014	Gu .....	B62K 21/14
				74/551.2
2015/0225035	A1 *	8/2015	Li .....	B62K 21/12
				74/551.8

\* cited by examiner

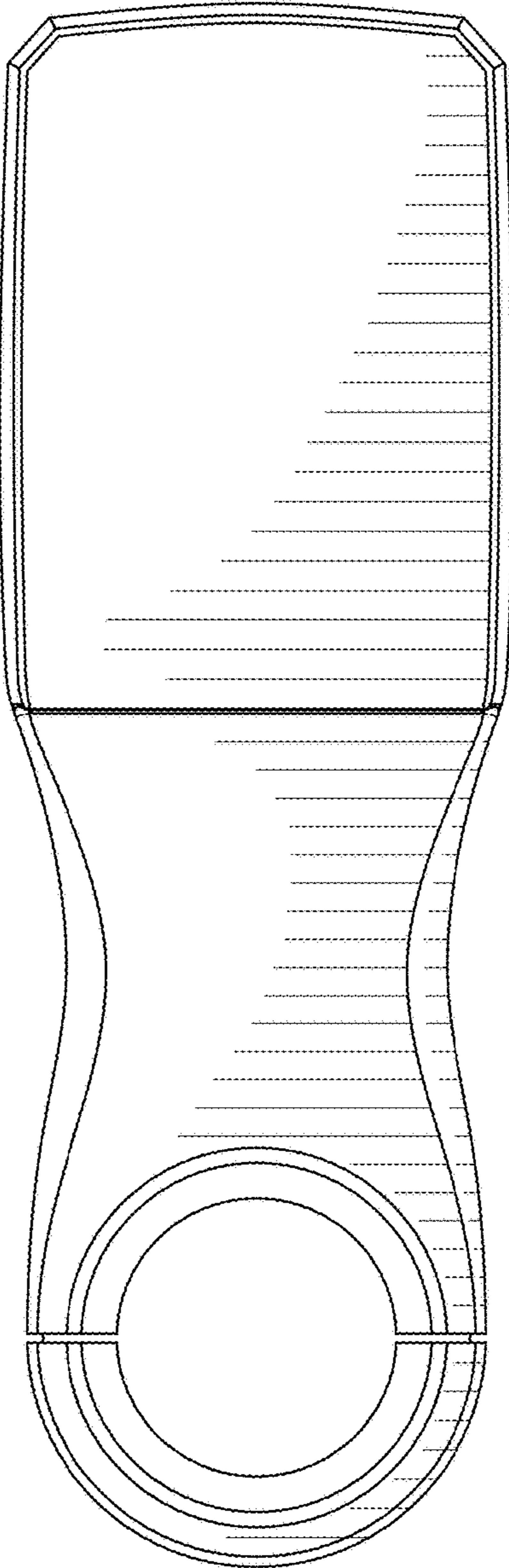


FIG. 1

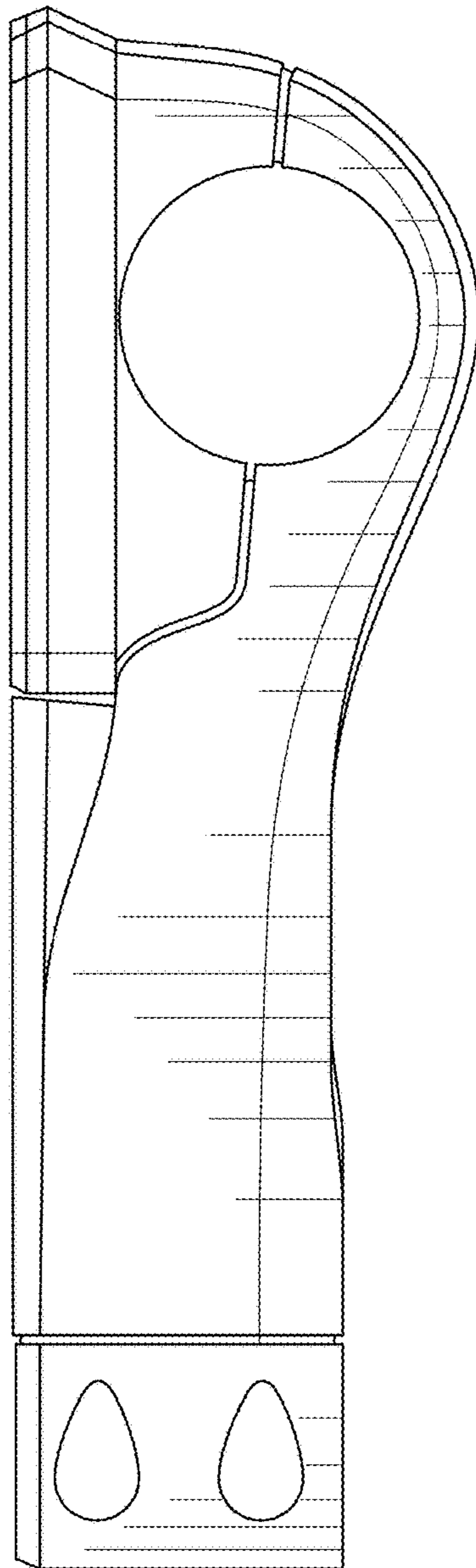


FIG. 2

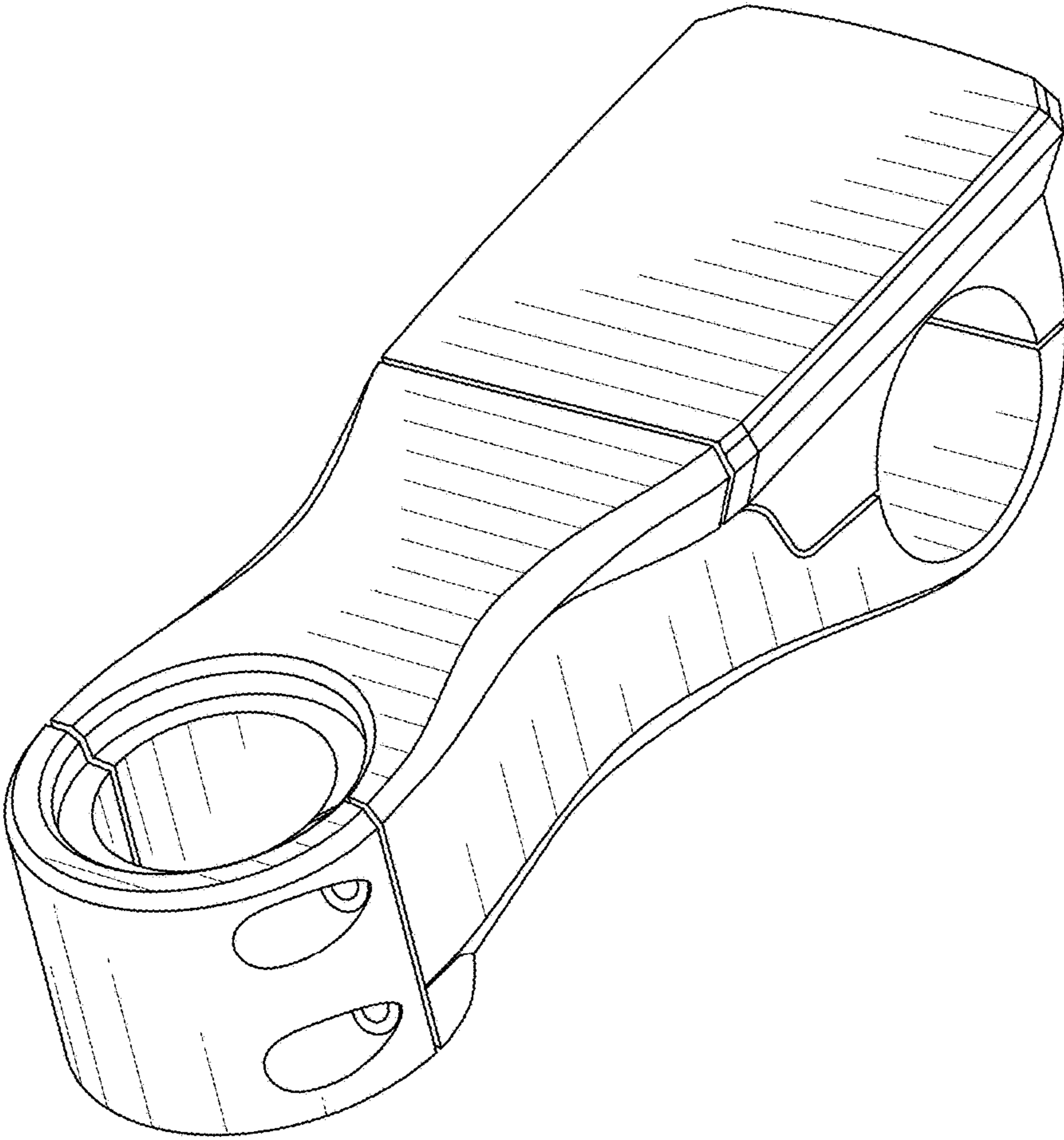


FIG. 3

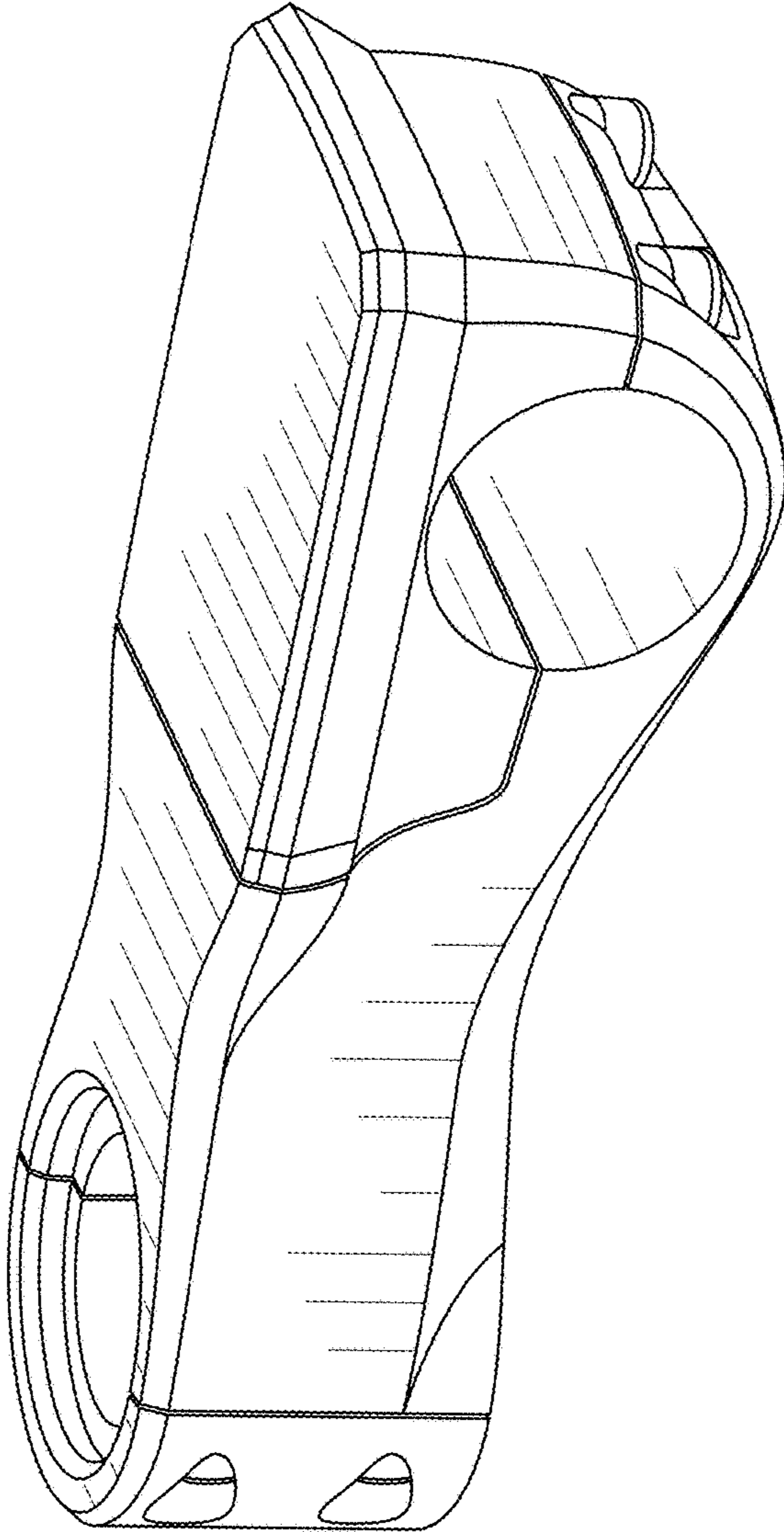


FIG. 4