



US00D843269S

(12) **United States Design Patent**
Shi

(10) **Patent No.:** **US D843,269 S**
(45) **Date of Patent:** **** Mar. 19, 2019**

- (54) **FOLDING ELECTRIC BICYCLE**
- (71) Applicant: **SHENZHEN CONCEPTS WIT TECHNOLOGY CO., LTD**, Shenzhen, Guangdong (CN)
- (72) Inventor: **Cheng Shi**, Shenzhen (CN)
- (73) Assignee: **SHENZHEN CONCEPTS WIT TECHNOLOGY CO., LTD**, Shenzhen, Guangdong Province (CN)
- (**) Term: **15 Years**
- (21) Appl. No.: **29/615,765**
- (22) Filed: **Aug. 31, 2017**
- (51) **LOC (11) Cl.** **12-11**
- (52) **U.S. Cl.**
USPC **D12/111**
- (58) **Field of Classification Search**
USPC D12/111, 117; D21/412, 414, 419, D21/423-428, 431-435
CPC B62K 3/00; B62K 3/02; B62K 3/06
See application file for complete search history.

7,156,409 B2 *	1/2007	Chuang	B62K 15/006 280/278
D617,687 S *	6/2010	Brady	D12/111
D626,037 S *	10/2010	Thetard	D12/111
D654,403 S *	2/2012	Kyu	D12/111
D724,497 S *	3/2015	Harness	D12/111
D730,778 S *	6/2015	Harness	D12/111
D756,264 S *	5/2016	Thompson	D12/111
D795,747 S *	8/2017	Bailie	D12/111
D807,232 S *	1/2018	Bailie	D12/111
D807,233 S *	1/2018	Zhang	D12/111
D809,434 S *	2/2018	Le	D12/111
D814,361 S *	4/2018	Shi	D12/111
D829,133 S *	9/2018	Rahmatulloev	D12/111

* cited by examiner

Primary Examiner — Darlington Ly
(74) *Attorney, Agent, or Firm* — Li & Cai Intellectual Property (USA) Office

(57) **CLAIM**

The ornamental design for a folding electric bicycle, as shown and described.

DESCRIPTION

FIG. 1 is a top, front, and left-side perspective view of a folding electric bicycle showing my new design; FIG. 2 is a left-side elevation view thereof; FIG. 3 is a right-side elevation view thereof; FIG. 4 is a front elevation view thereof; FIG. 5 is a rear elevation view thereof; FIG. 6 is a top plan view thereof; FIG. 7 is a bottom plan view thereof; and, FIG. 8 is a top, front, and right-side perspective view thereof.

1 Claim, 7 Drawing Sheets

- (56) **References Cited**
U.S. PATENT DOCUMENTS
- 4,634,138 A * 1/1987 Fryer B62K 15/008
280/278
- 5,836,602 A * 11/1998 Wang B62K 15/008
280/287
- 6,267,401 B1 * 7/2001 De Jong B62K 15/008
280/287
- D487,234 S * 3/2004 Chen D12/111
- D497,122 S * 10/2004 Uenaka D12/111
- 7,055,842 B1 * 6/2006 Lin B62K 15/008
280/278



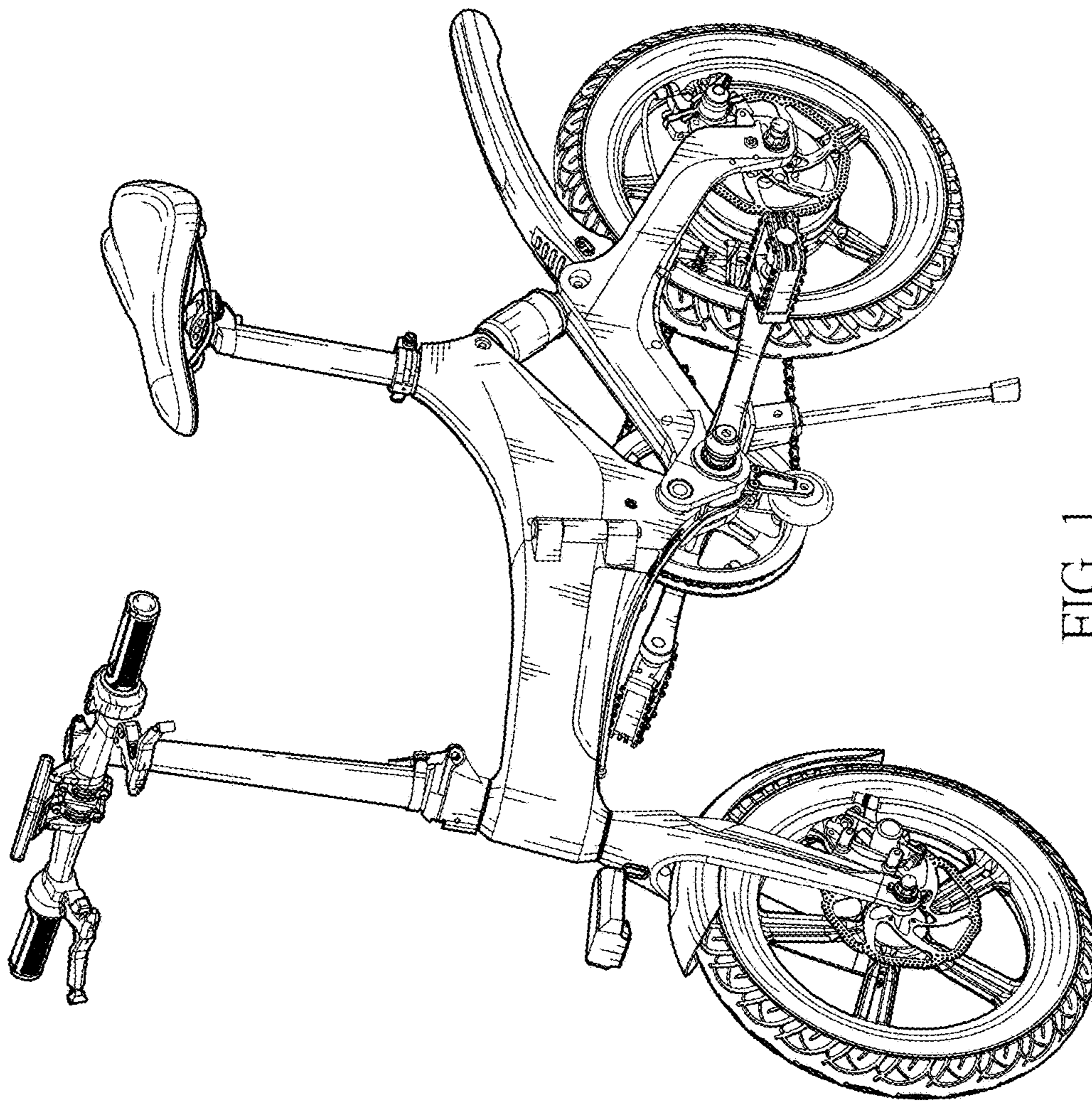


FIG. 1

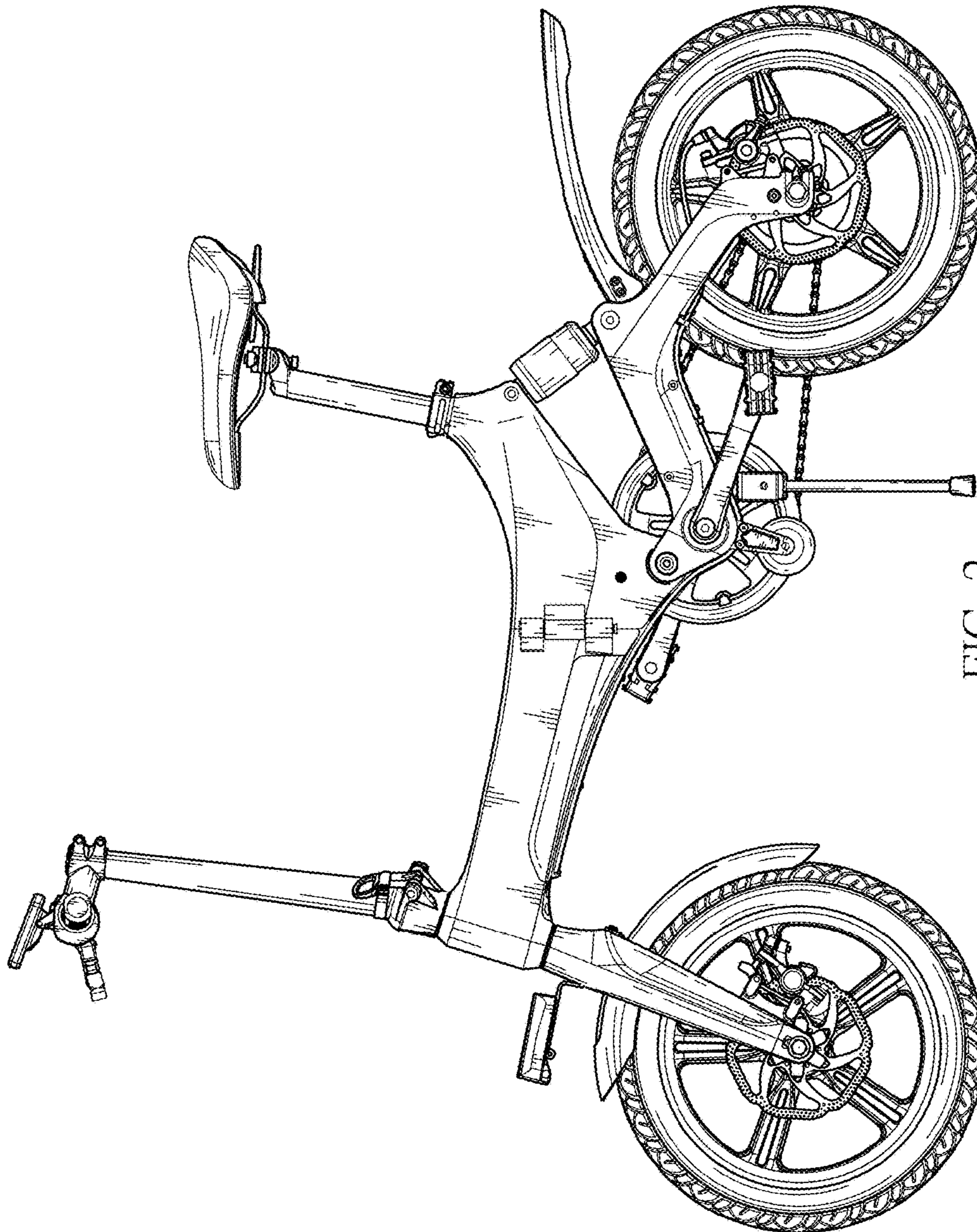


FIG. 2

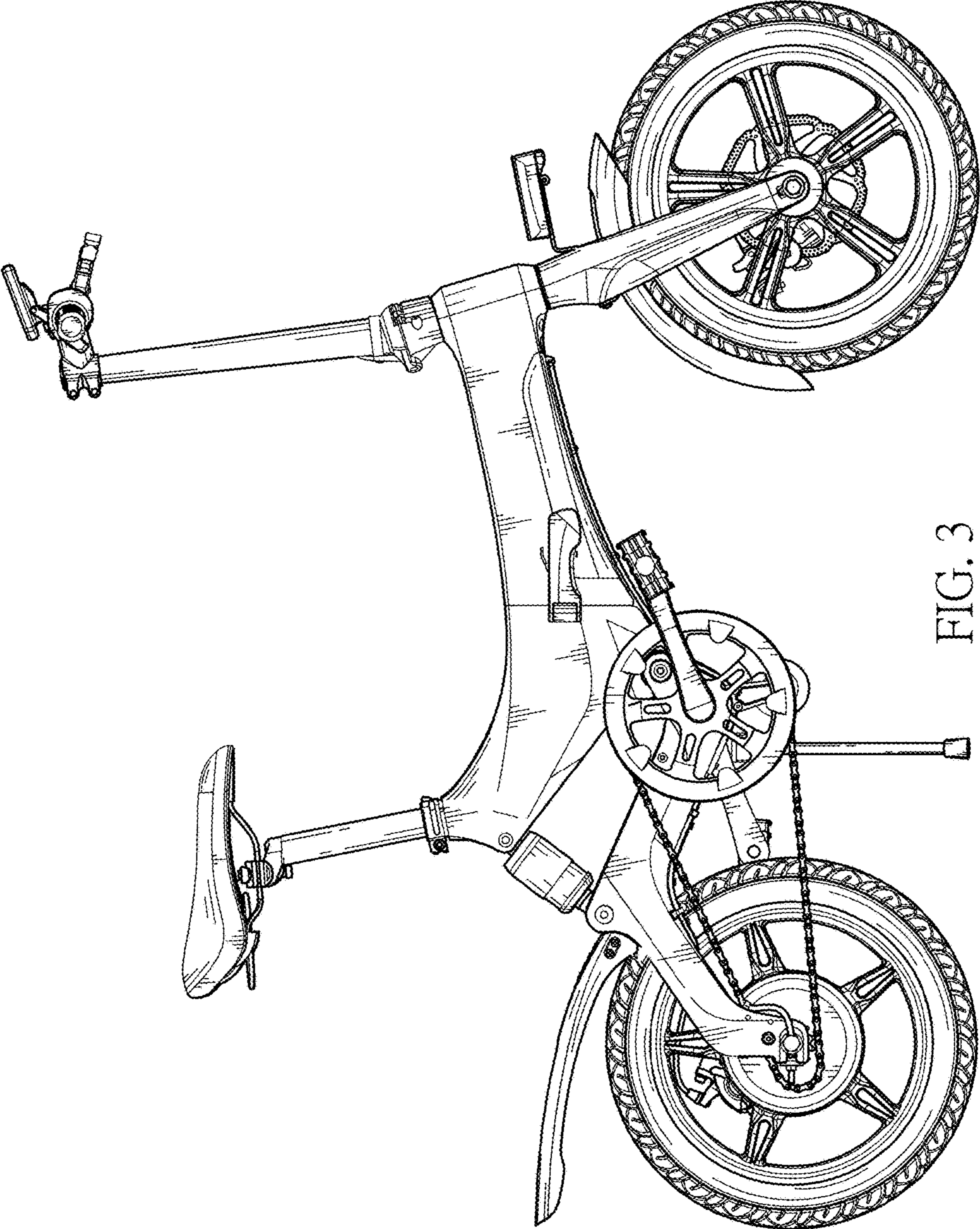


FIG. 3

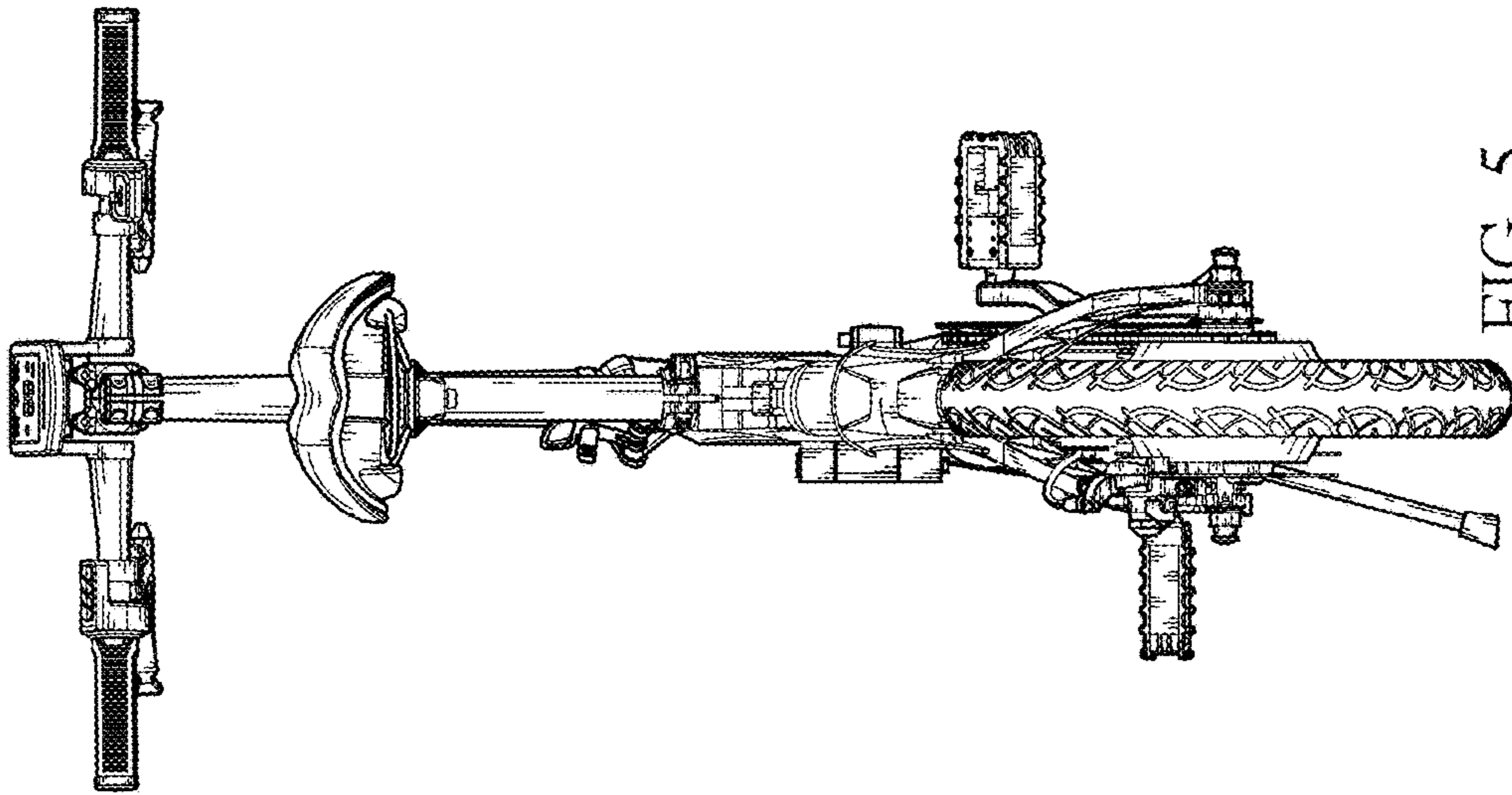


FIG. 5

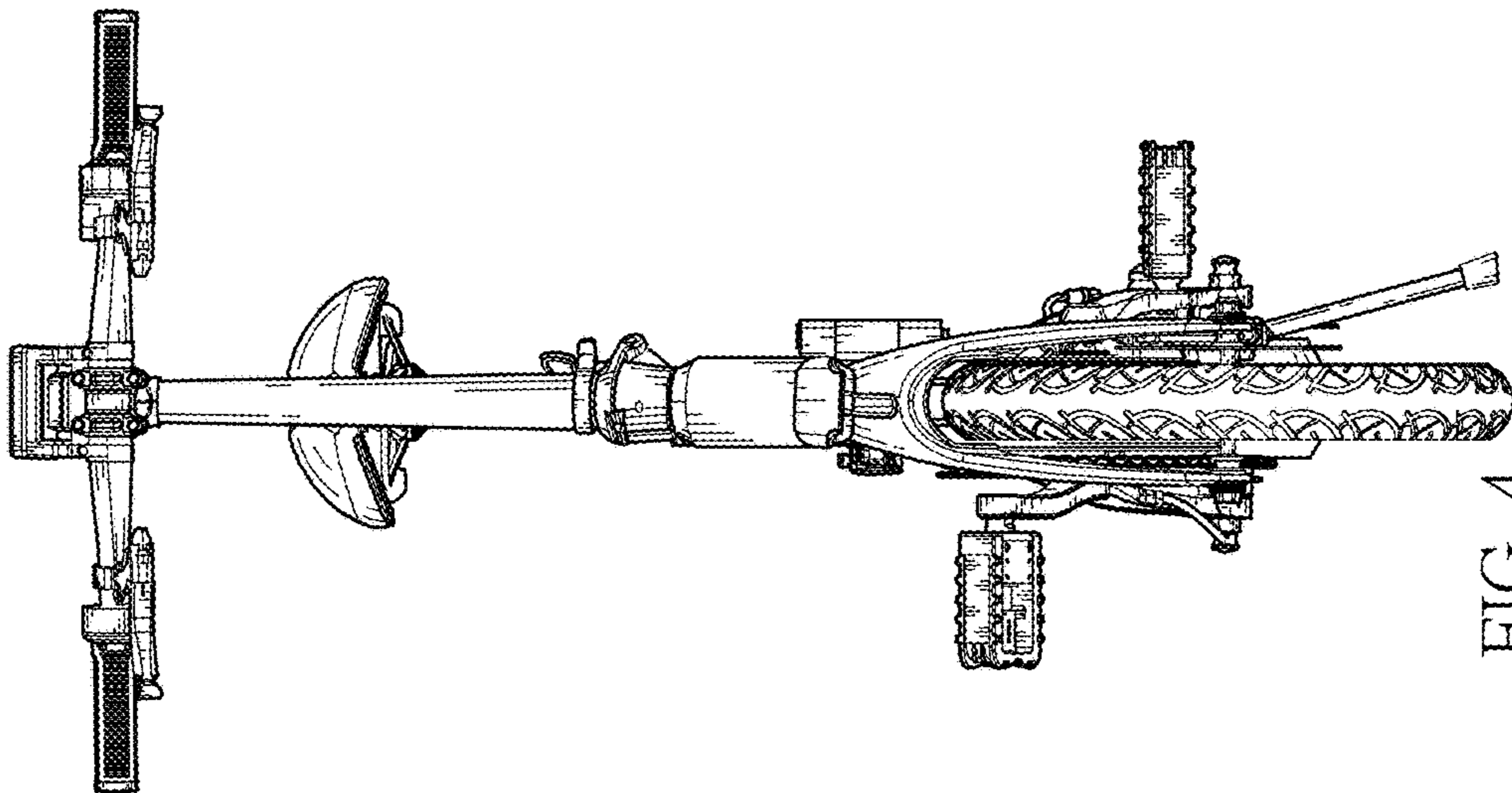


FIG. 4

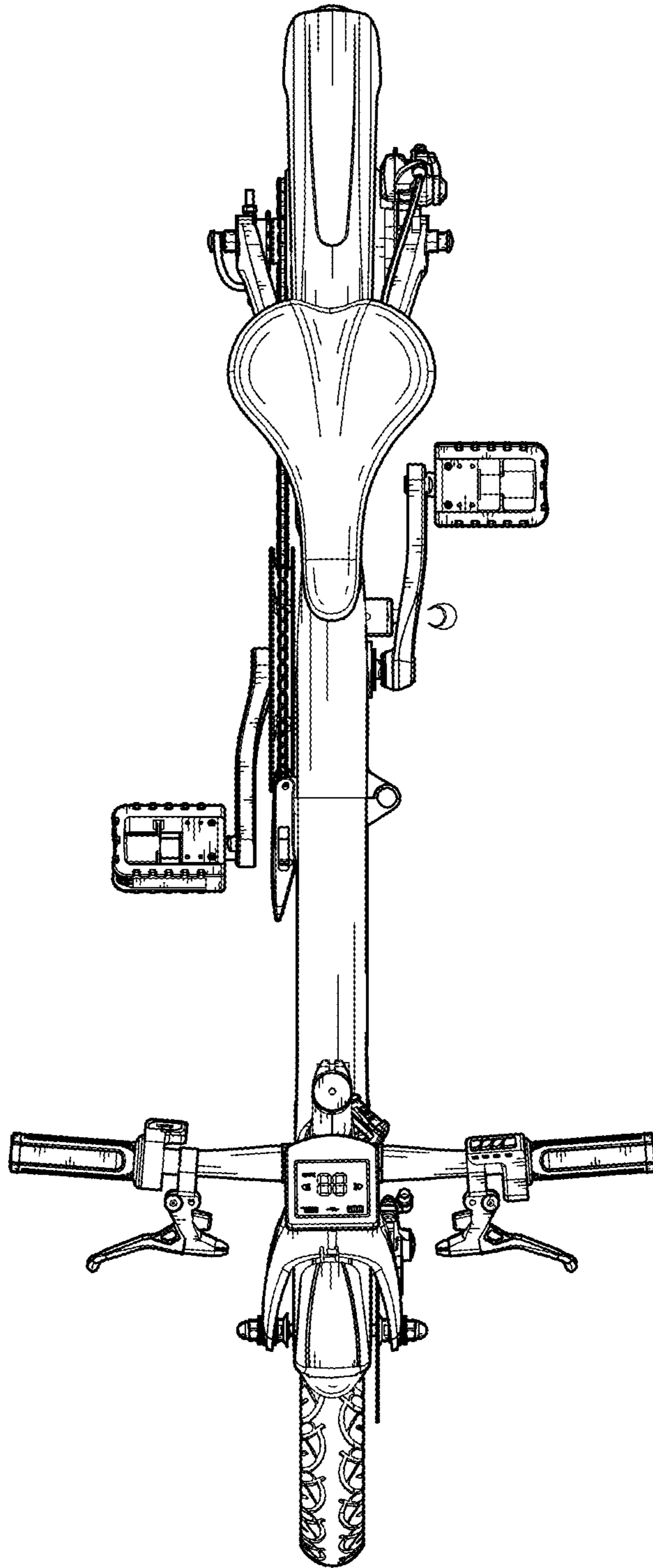


FIG. 6

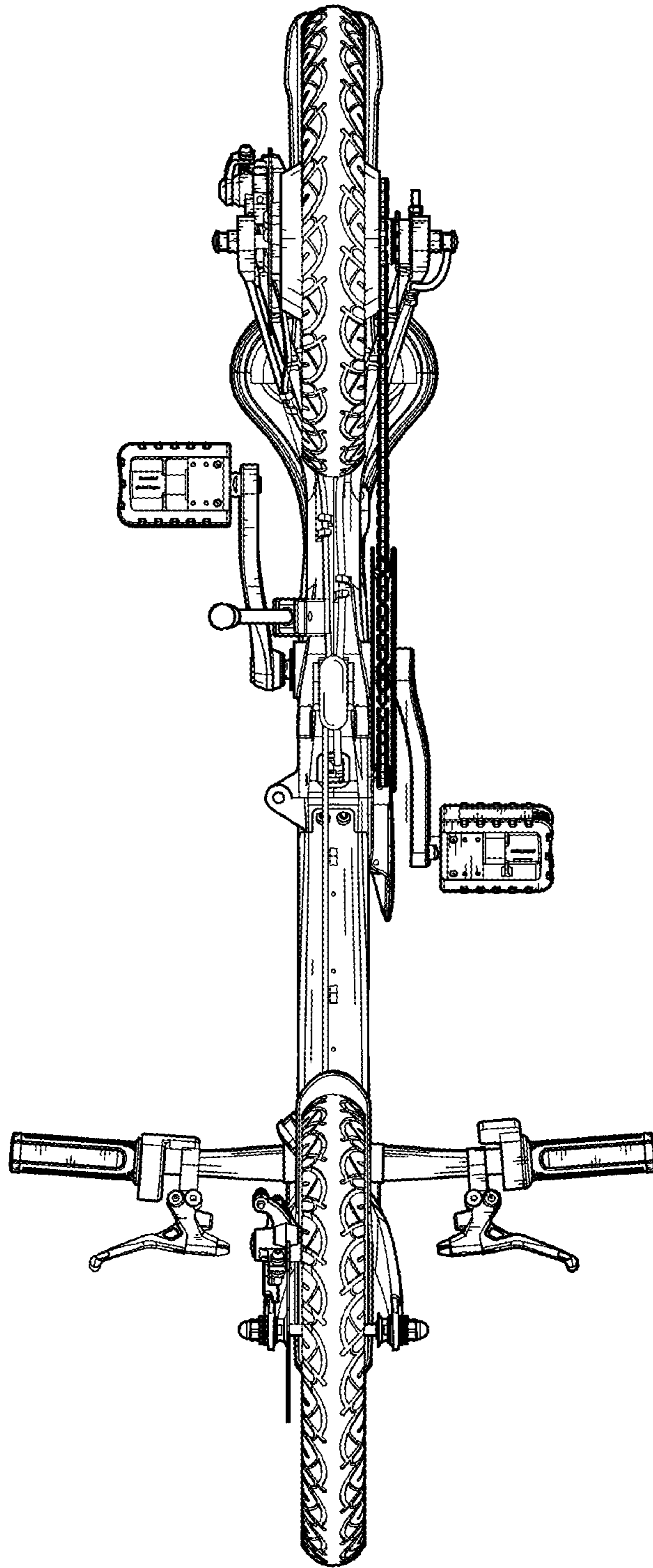


FIG. 7

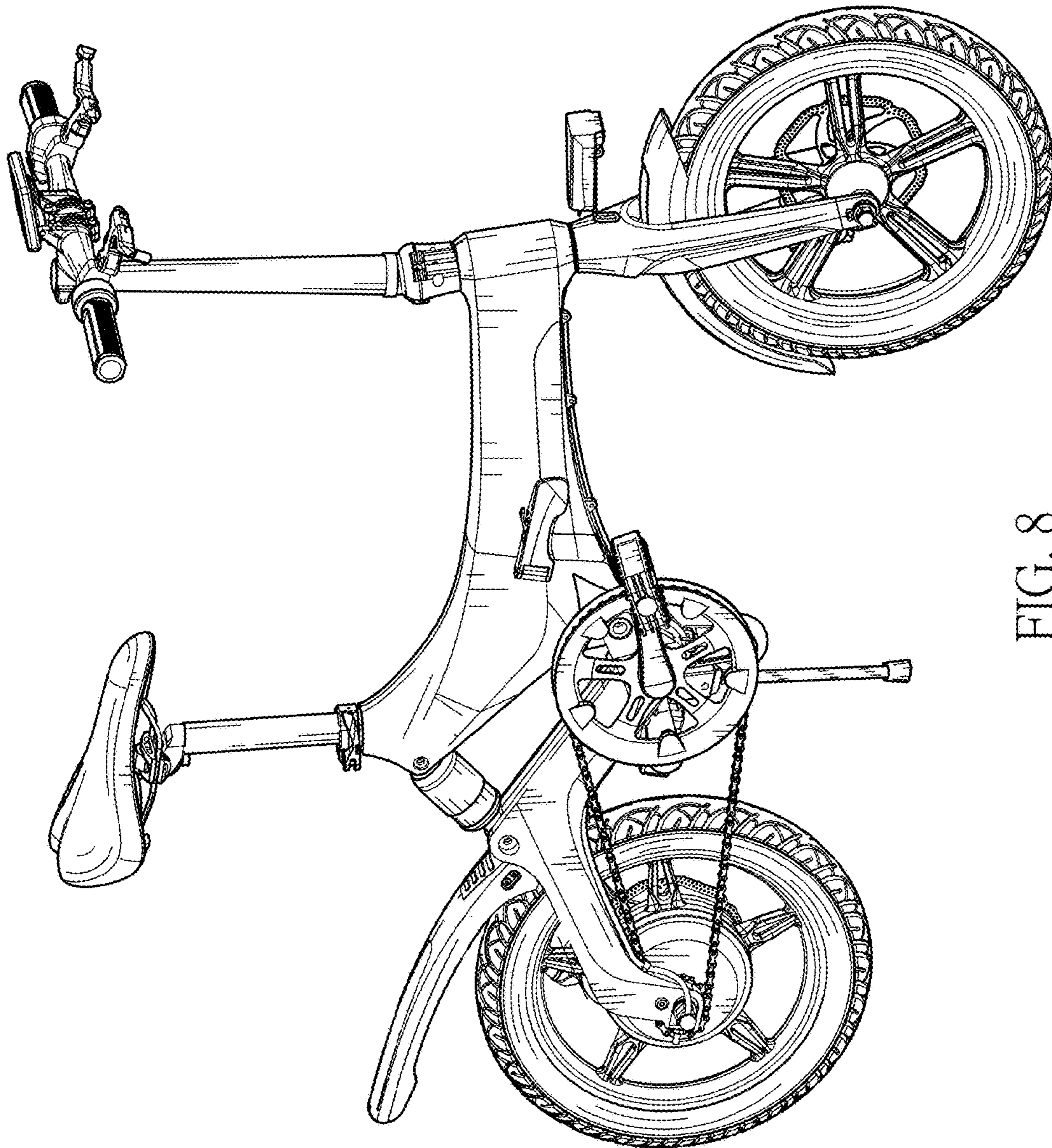


FIG. 8