



US00D843267S

(12) **United States Design Patent**  
**Gao**

(10) **Patent No.:** **US D843,267 S**  
(45) **Date of Patent:** **\*\* Mar. 19, 2019**

- (54) **UNMANNED AERIAL VEHICLE**
- (71) Applicant: **Shenzhen HighGreat Innovation Technology Development Co., Ltd.**,  
Shenzhen, Guangdong (CN)
- (72) Inventor: **Jianmin Gao**, Guangdong (CN)
- (73) Assignee: **Shenzhen HighGreat Innovation Technology Development Co., Ltd.**,  
Shenzhen (CN)
- (\*\*) Term: **15 Years**
- (21) Appl. No.: **29/636,554**
- (22) Filed: **Feb. 9, 2018**
- (30) **Foreign Application Priority Data**  
Oct. 11, 2017 (CN) ..... 2017 3 0482452
- (51) **LOC (11) Cl.** ..... **12-01**
- (52) **U.S. Cl.**  
USPC ..... **D12/16.1**
- (58) **Field of Classification Search**  
USPC ..... D12/16.1, 319-345, 1; D21/436, 438,  
D21/441, 442, 443, 444, 447, 448, 449,  
D21/450, 451, 452, 454; D30/160  
CPC ... B64C 29/00; B64C 2201/141; B64C 27/24;  
B64C 27/30; B64C 39/04; B64C 39/00;  
B64C 27/006; A63H 33/18; A63B 19/02;  
B64G 9/00  
See application file for complete search history.

- D760,848 S \* 7/2016 McKenna ..... D12/16.1
- D763,134 S \* 8/2016 Wang ..... D12/16.1
- D767,043 S \* 9/2016 Morrison ..... D12/16.1
- D768,539 S \* 10/2016 Lee ..... D12/16.1
- D768,789 S \* 10/2016 Fargeau ..... D12/16.1
- D772,991 S \* 11/2016 Caubel ..... D12/16.1
- D777,263 S \* 1/2017 Lavagen ..... D12/16.1

(Continued)

**OTHER PUBLICATIONS**

High Great Mark WiFi by geekbuying. dated 2018. found online [Dec. 6, 2018] <https://www.geekbuying.com/item/High-Great-Mark-Wifi-FPV-VIO-Drone---Camera-BNF-Red-404921.html>.\*

(Continued)

*Primary Examiner* — Marissa J Cash

(57) **CLAIM**

The ornamental design for an unmanned aerial vehicle, as shown and described.

**DESCRIPTION**

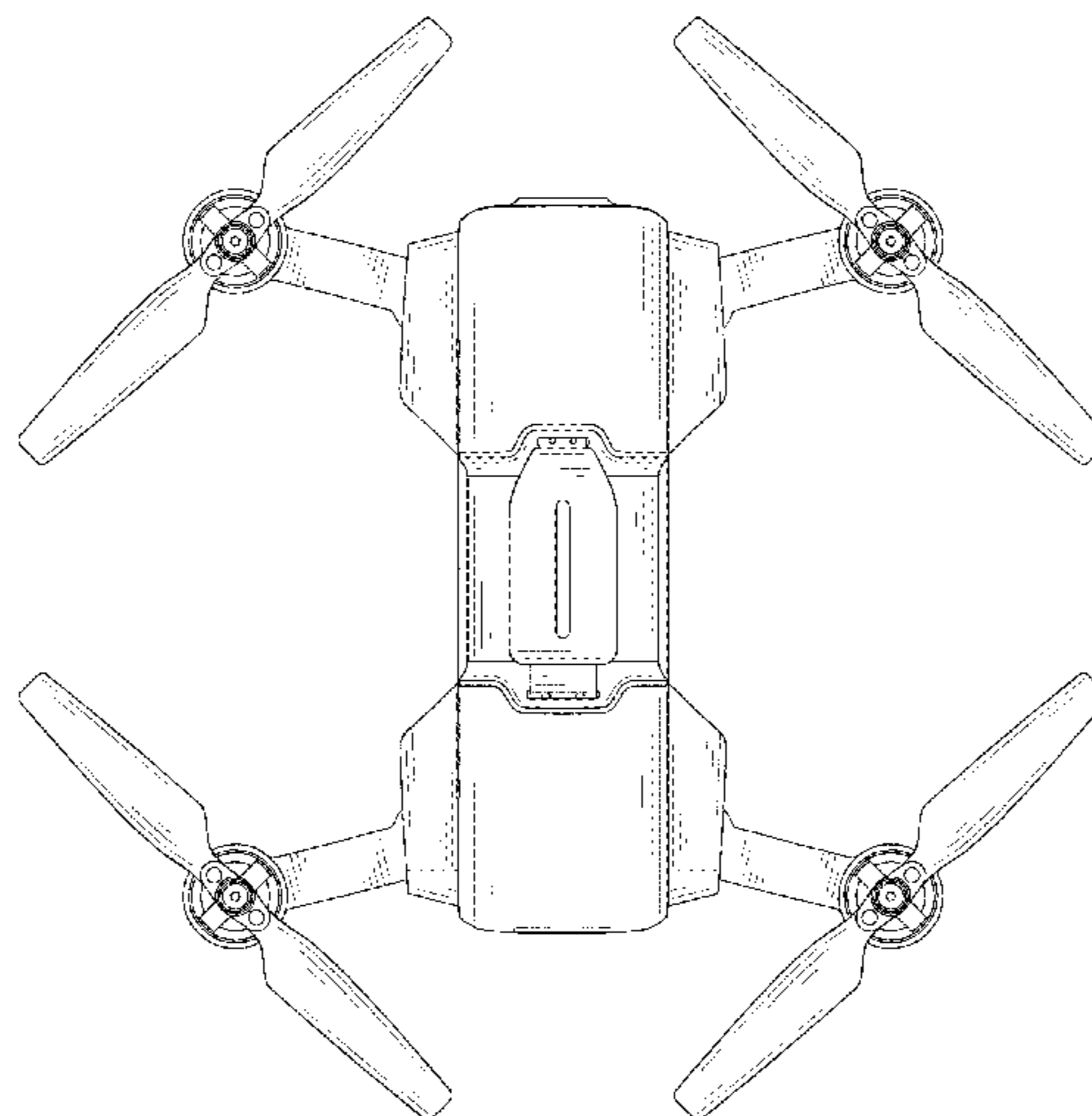
FIG. 1 is a front elevational view of an unmanned aerial vehicle showing my new design;  
 FIG. 2 is a rear elevational view thereof;  
 FIG. 3 is a left side view thereof;  
 FIG. 4 is a right side view thereof;  
 FIG. 5 is a top plan view thereof;  
 FIG. 6 is a bottom plan view thereof;  
 FIG. 7 is a top, front and right side perspective view thereof;  
 FIG. 8 is a top, rear and right side perspective view thereof;  
 FIG. 9 is a top, front and right side perspective view showing the unmanned aerial vehicle in a folded state; and,  
 FIG. 10 is a rear perspective view showing the unmanned aerial vehicle in a folded state.  
 The broken lines in the drawings illustrate portions of the unmanned aerial vehicle which form no part of the claimed design.

**1 Claim, 10 Drawing Sheets**

(56) **References Cited**

**U.S. PATENT DOCUMENTS**

- D197,038 S \* 12/1963 Howard ..... D12/329
- D628,658 S \* 12/2010 Wurm ..... D21/442
- D751,490 S \* 3/2016 Chen ..... D12/16.1
- D759,764 S \* 6/2016 Lai ..... D12/16.1



(56)

References Cited

U.S. PATENT DOCUMENTS

D782,365 S \* 3/2017 Hung ..... D12/16.1  
 D782,366 S \* 3/2017 Xiao ..... D12/16.1  
 D784,202 S \* 4/2017 Park ..... D12/16.1  
 D784,854 S \* 4/2017 Huang ..... D12/16.1  
 D795,741 S \* 8/2017 Li ..... D12/16.1  
 D795,742 S \* 8/2017 Li ..... D12/16.1  
 D795,743 S \* 8/2017 Li ..... D12/16.1  
 D795,784 S \* 8/2017 Guo ..... D12/328  
 D795,967 S \* 8/2017 Haley ..... D12/16.1  
 D797,602 S \* 9/2017 Li ..... D12/16.1  
 D798,961 S \* 10/2017 Li ..... D21/441  
 D801,224 S \* 10/2017 Li ..... D12/16.1  
 D803,098 S \* 11/2017 Lee ..... D12/16.1  
 D803,328 S \* 11/2017 Lee ..... D21/441  
 D805,425 S \* 12/2017 Hanscom ..... D11/202  
 D805,431 S \* 12/2017 Li ..... D12/16.1  
 D806,606 S \* 1/2018 Morrison ..... D12/16.1  
 D809,992 S \* 2/2018 Hu ..... D12/328  
 D813,723 S \* 3/2018 Ahn ..... D12/16.1  
 D813,724 S \* 3/2018 Hu ..... D12/16.1  
 D814,970 S \* 4/2018 Chen ..... D12/16.1  
 D814,971 S \* 4/2018 Huang ..... D12/16.1  
 D814,972 S \* 4/2018 Ahn ..... D12/16.1  
 D814,973 S \* 4/2018 Li ..... D12/16.1  
 D816,546 S \* 5/2018 Wang ..... D12/16.1  
 D816,582 S \* 5/2018 Liang ..... D12/328  
 D817,850 S \* 5/2018 Xiao ..... D12/328  
 D818,872 S \* 5/2018 Ho ..... D12/16.1  
 D818,874 S \* 5/2018 Tian ..... D12/16.1  
 D819,749 S \* 6/2018 Caubel ..... D21/449

D820,158 S \* 6/2018 Jeong ..... D12/16.1  
 D821,263 S \* 6/2018 Goldy ..... D12/16.1  
 D825,379 S \* 8/2018 Gury ..... D12/16.1  
 D827,723 S \* 9/2018 Barajas ..... D21/442  
 D828,222 S \* 9/2018 Yu ..... D12/16.1  
 D830,476 S \* 10/2018 Barse ..... D21/491  
 2014/0117149 A1\* 5/2014 Zhou ..... A63H 27/12  
 244/17.23  
 2016/0375997 A1\* 12/2016 Welsh ..... B64C 39/024  
 244/17.23  
 2016/0376004 A1\* 12/2016 Claridge ..... B64C 19/00  
 701/3  
 2017/0101174 A1\* 4/2017 Ou ..... B64C 27/08  
 2017/0113789 A1\* 4/2017 Ou ..... H02G 3/04  
 2017/0174316 A1\* 6/2017 Huddleston, Jr. .... B64C 11/00  
 2017/0217599 A1\* 8/2017 Peng ..... B64C 25/08  
 2017/0237948 A1\* 8/2017 Quast ..... B64C 39/02  
 348/144  
 2017/0247113 A1\* 8/2017 Sanlville ..... B64C 27/08  
 2017/0301109 A1\* 10/2017 Chan ..... G06T 7/75  
 2017/0327222 A1\* 11/2017 He ..... B64C 1/06  
 2017/0340176 A1\* 11/2017 Liao ..... A47L 1/02  
 2018/0032087 A1\* 2/2018 Line ..... B64C 39/024  
 2018/0208301 A1\* 7/2018 Ye ..... B64C 27/32  
 2018/0281941 A1\* 10/2018 Hutson ..... B64C 29/0016

OTHER PUBLICATIONS

High Great 'Mark' Drone by Ash . dated Sep. 11, 2018. found online [Dec. 6, 2018] <https://www.droningon.co/2018/09/11/high-great-mark-drone-ship-to-backers-review/>.\*

\* cited by examiner

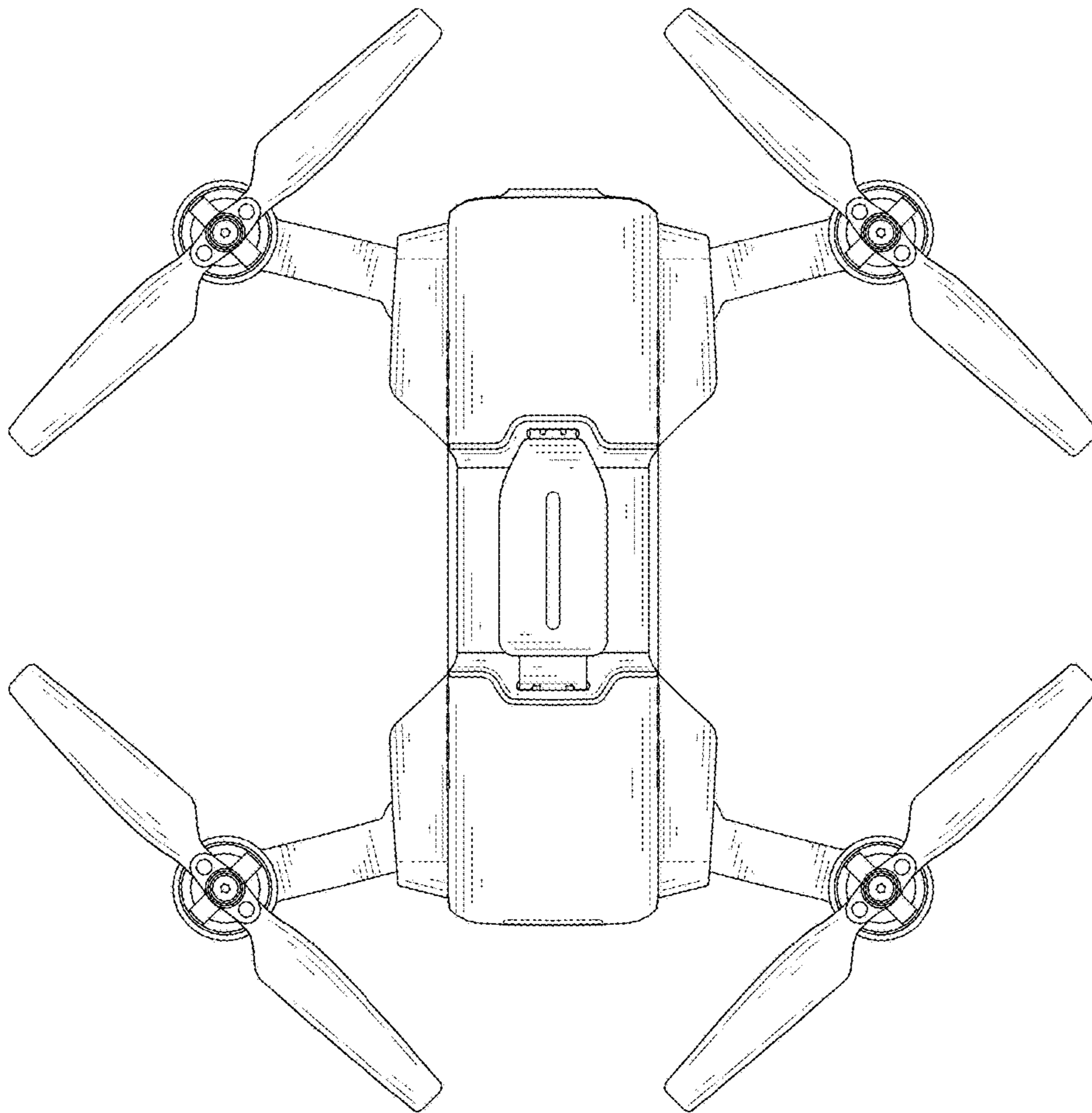


FIG. 1

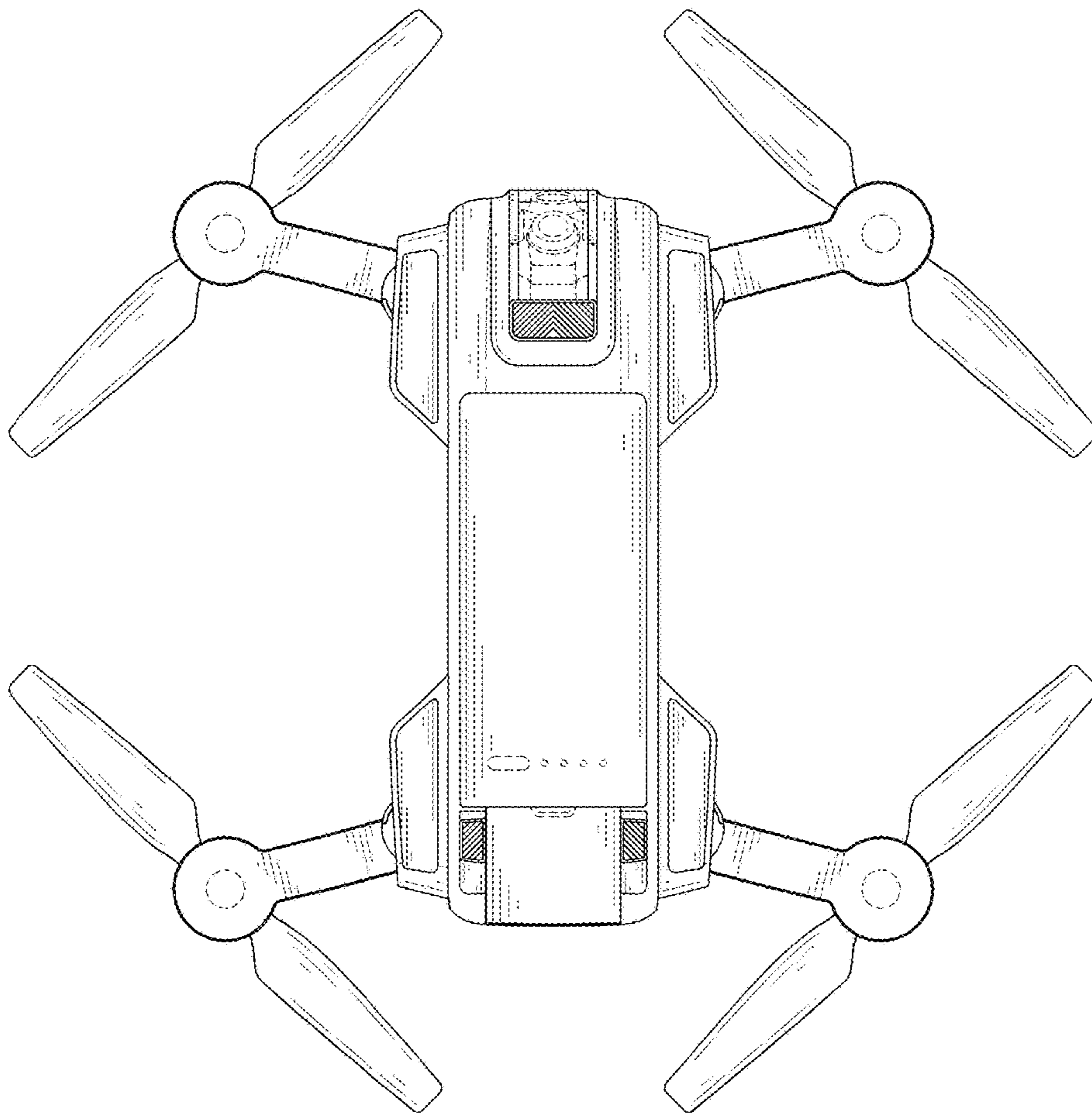


FIG. 2

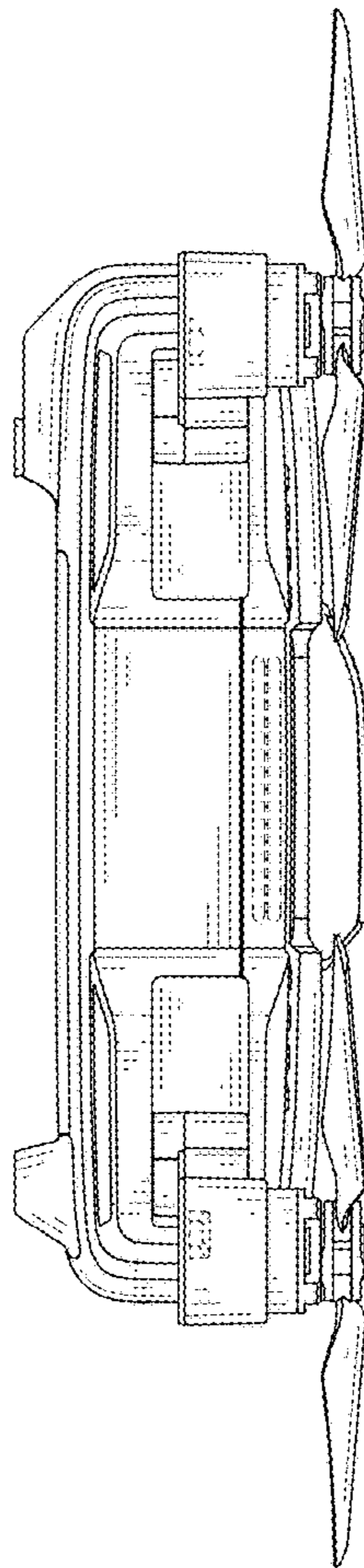


FIG. 3

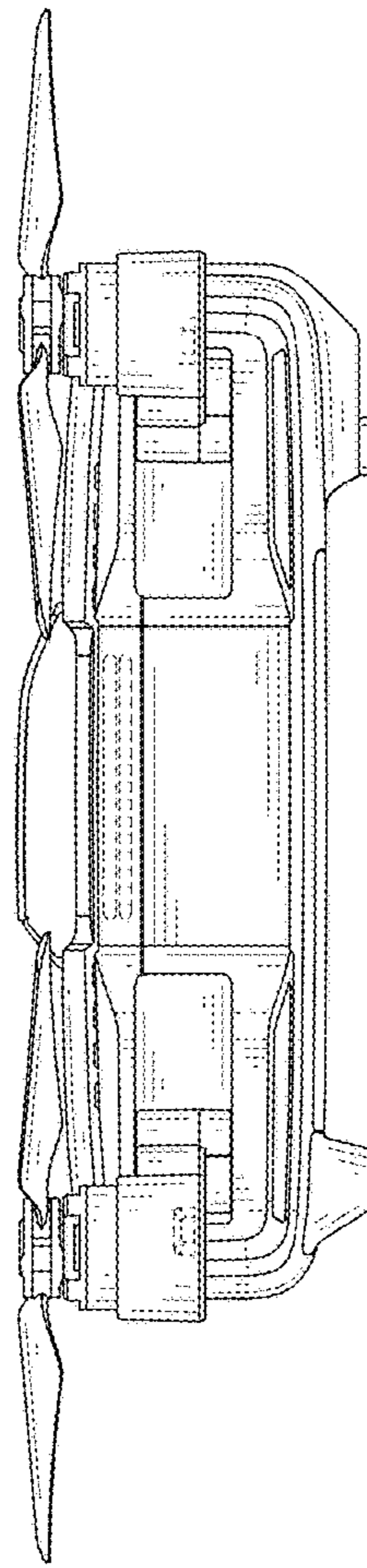


FIG. 4

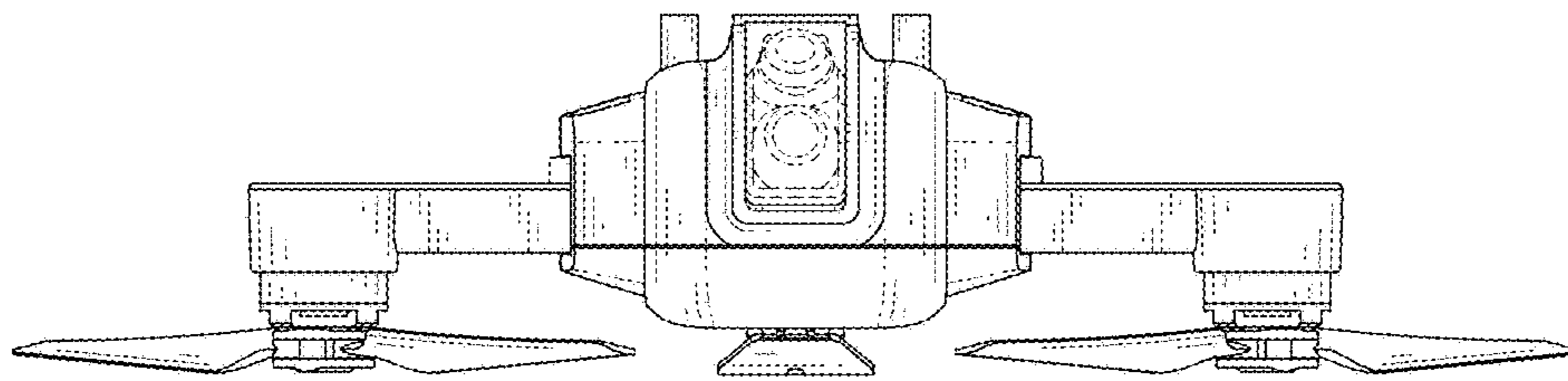


FIG. 5

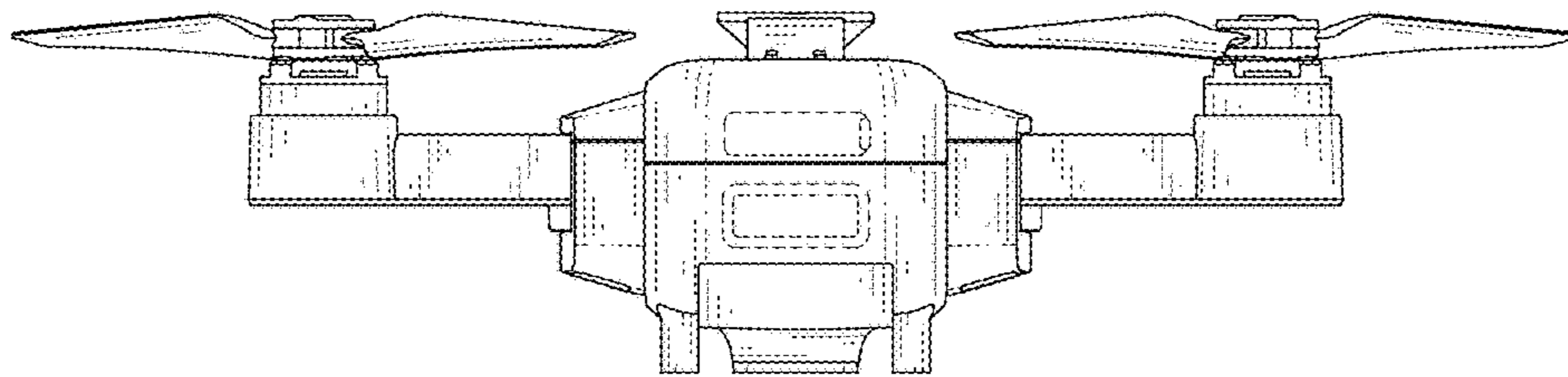


FIG. 6



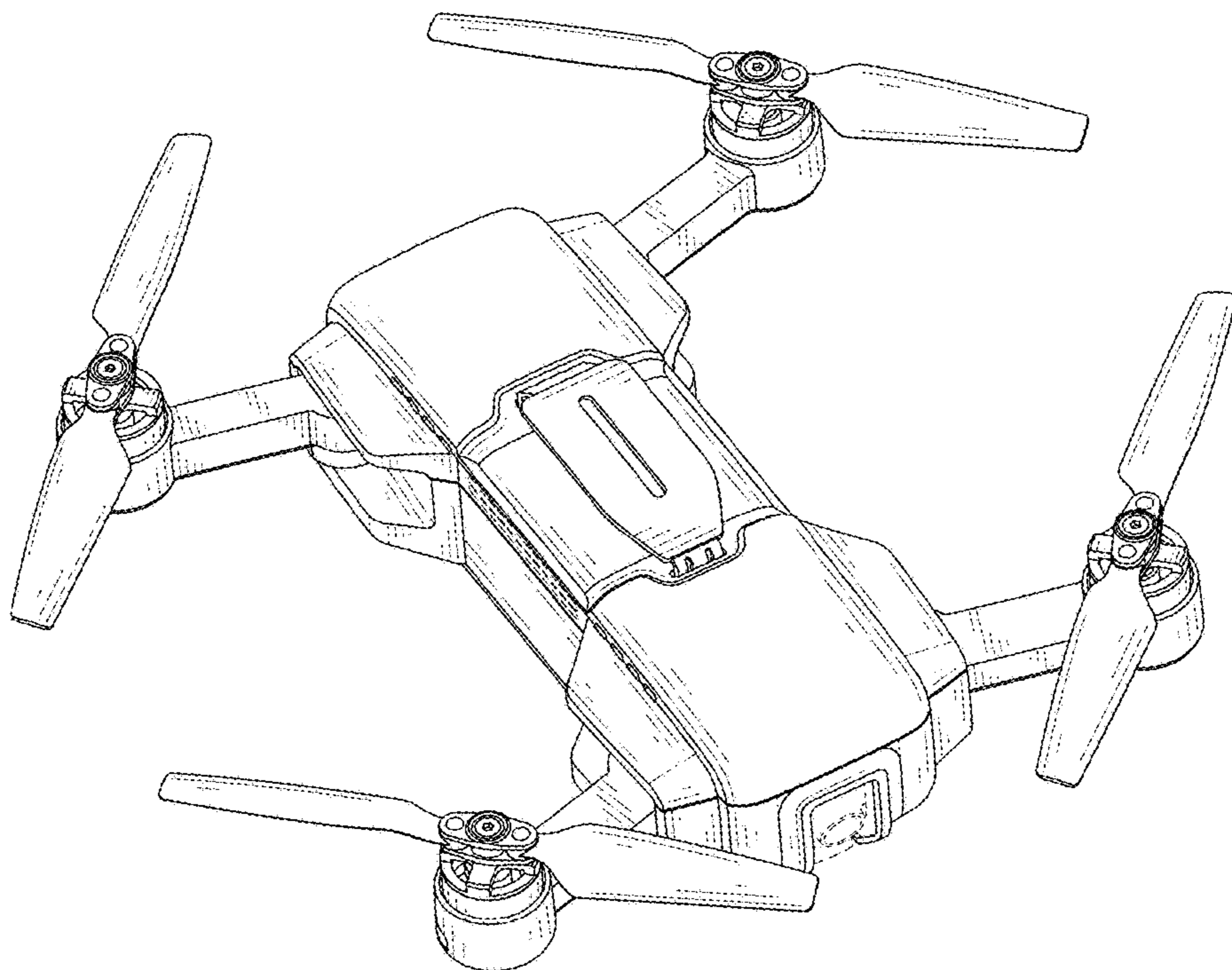


FIG. 7

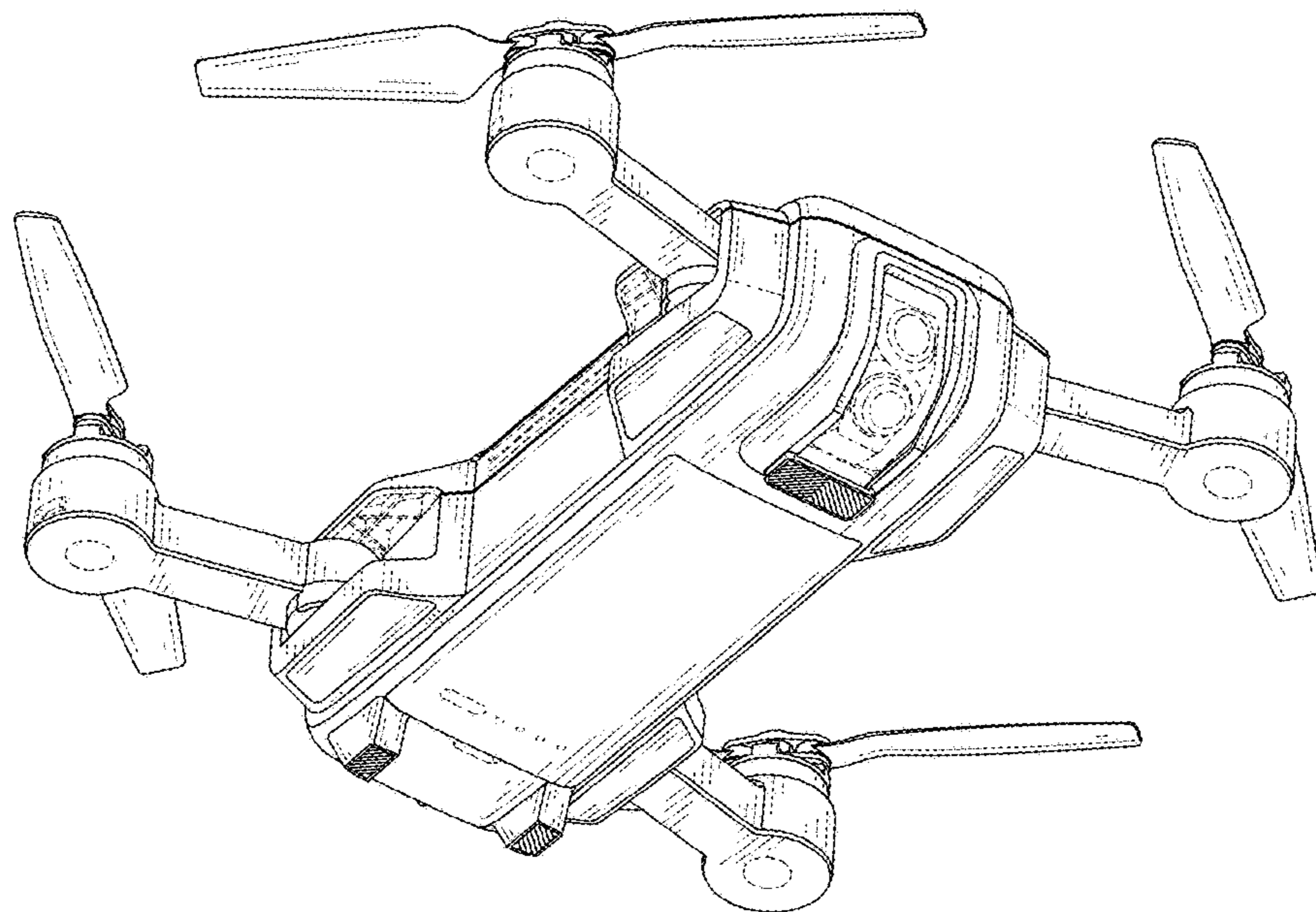


FIG. 8

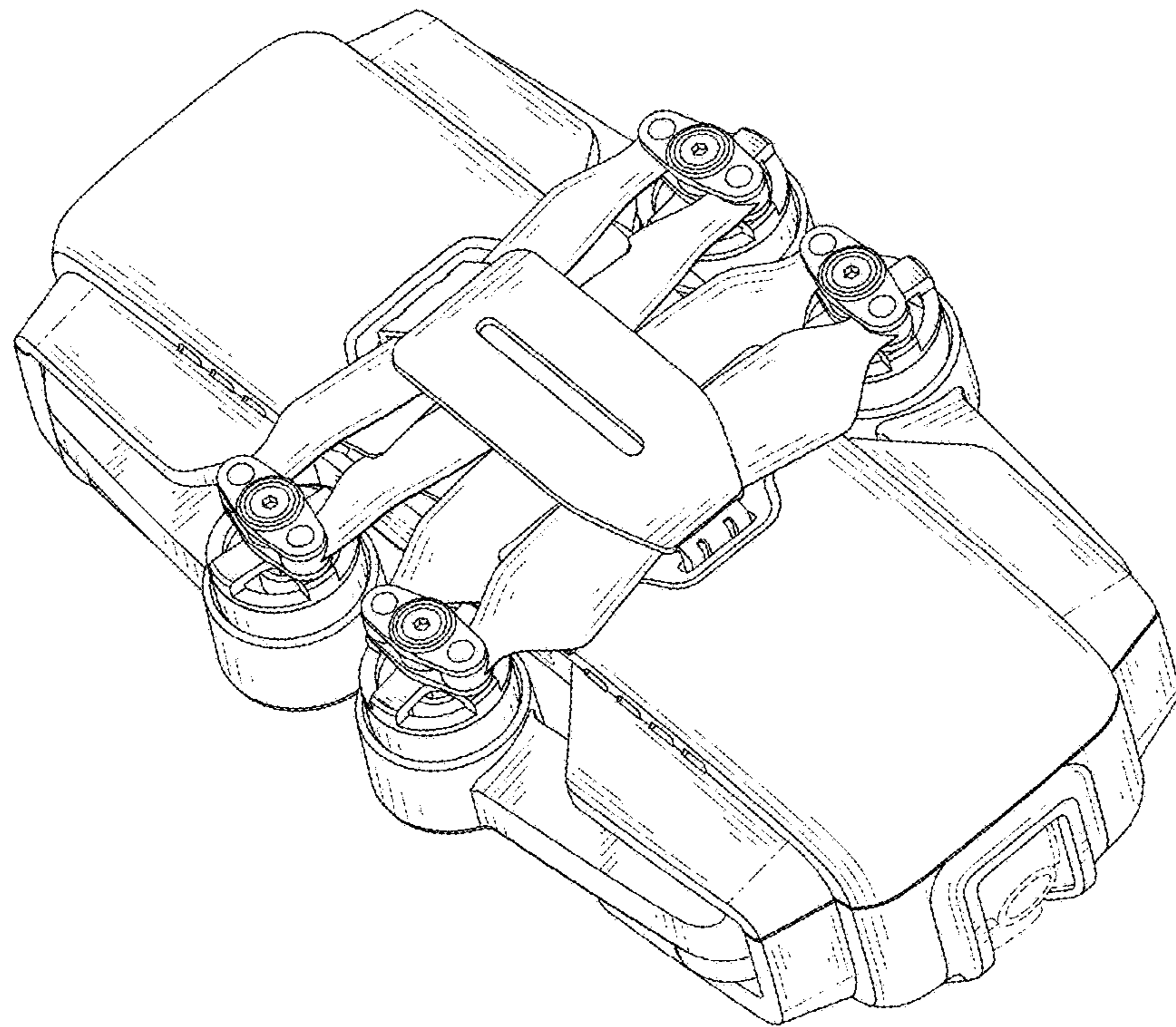


FIG. 9

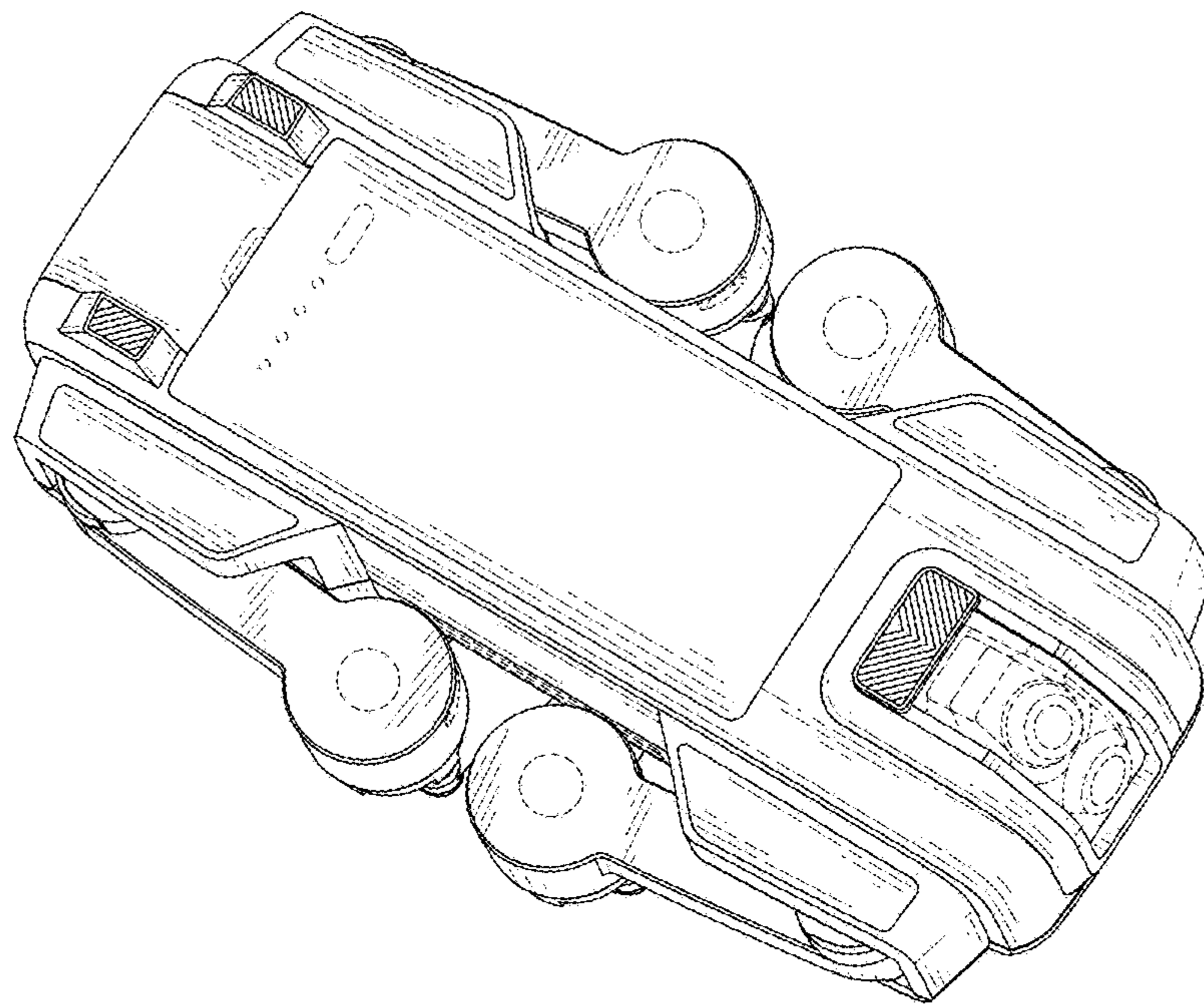


FIG. 10