

US00D843266S

(12) **United States Design Patent** (10) **Patent No.:** **US D843,266 S**
Chen et al. (45) **Date of Patent:** **** Mar. 19, 2019**

(54) **AERIAL VEHICLE**

FOREIGN PATENT DOCUMENTS

(71) Applicant: **SZ DJI Technology Co., LTD,**
Shenzhen (CN)

CN 302321461 S 2/2013
CN 302759596 S 3/2014

(Continued)

(72) Inventors: **Shaojie Chen,** Shenzhen (CN); **Zhen Wang,** Shenzhen (CN); **Yun Zhao,** Shenzhen (CN)

OTHER PUBLICATIONS

(73) Assignee: **SZ DJI Technology Co., Ltd.,**
Shenzhen (CN)

DJI Phantom 4 Pro by Malek Murison. Dated Nov. 15, 2016. found online [Mar. 22, 2018] <https://dronelife.com/2016/11/15/dji-inspire-2-phantom-4-pro/>.*

(**) Term: **15 Years**

Primary Examiner — Marissa J Cash

(21) Appl. No.: **29/552,818**

(74) *Attorney, Agent, or Firm* — Sterne, Kessler, Goldstein & Fox P.L.L.C.

(22) Filed: **Jan. 26, 2016**

(51) **LOC (11) Cl.** **12-07**

(57) **CLAIM**

(52) **U.S. Cl.**

The ornamental design for an aerial vehicle, as shown and described.

USPC **D12/16.1**

(58) **Field of Classification Search**

USPC D12/16.1, 319, 325, 326, 327, 328,
D12/329–345; D21/436, 441, 442, 443,
D21/444, 445–453; D30/160
CPC B64C 39/024; B64C 2201/141; B64C
2201/00; B64C 2201/108
See application file for complete search history.

DESCRIPTION

FIG. 1 is a top front perspective view of an aerial vehicle showing the claimed design;
FIG. 2 is a top front perspective view thereof;
FIG. 3 is a front view thereof;
FIG. 4 is a rear view thereof;
FIG. 5 is a right side view thereof;
FIG. 6 is a left side view thereof;
FIG. 7 is a top view thereof; and,
FIG. 8 is a bottom view thereof.

The dashed broken lines in the figures show portions of the aerial vehicle that form no part of the claimed design.
The shade lines in the figures show contour and not surface ornamentation.

The dot-dash broken lines in the figures show boundaries that form no part of the claimed design and the areas within the dot-dash broken lines show portions of the aerial vehicle that form no part of the claimed design.

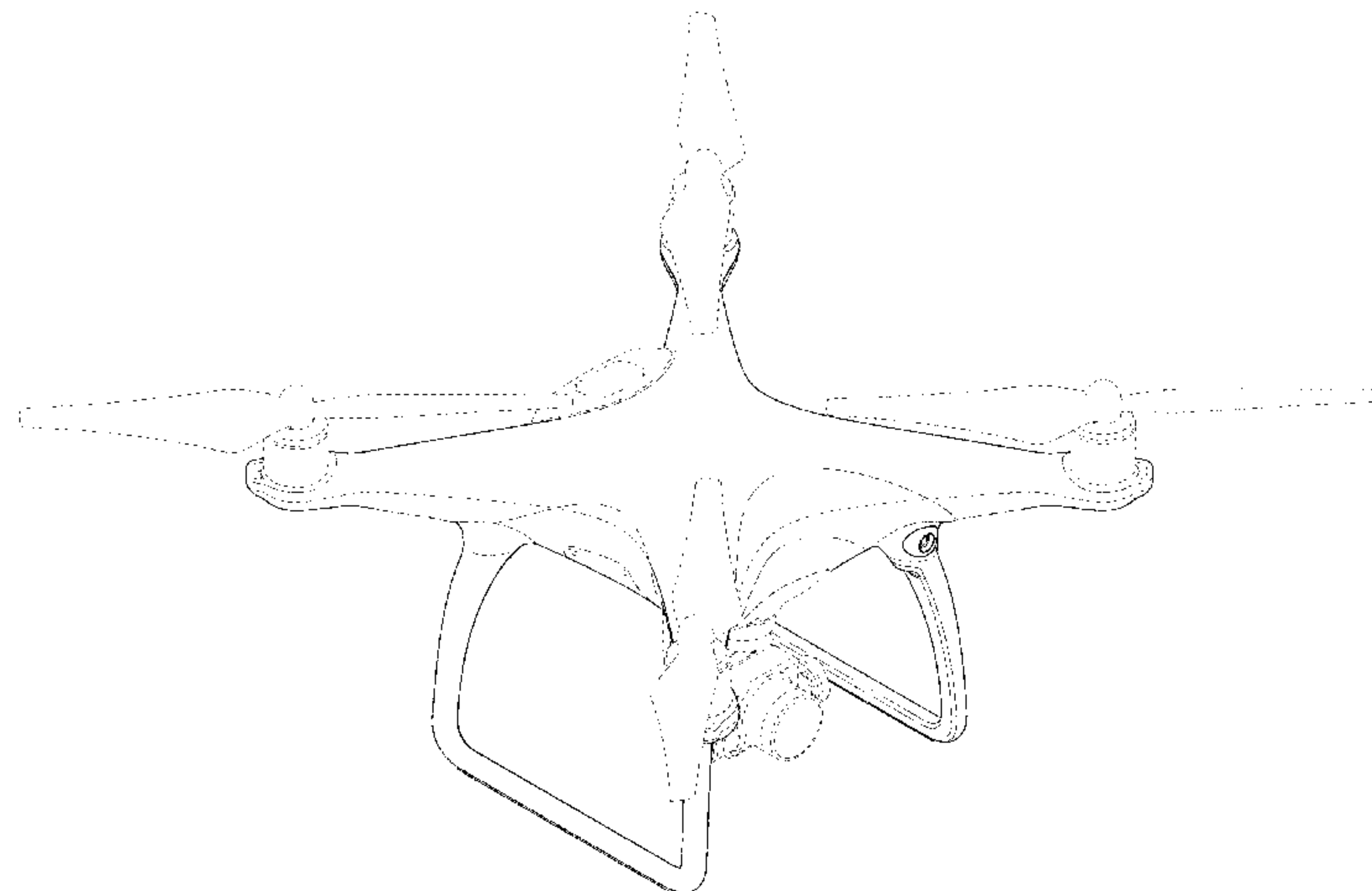
(56) **References Cited**

U.S. PATENT DOCUMENTS

3,053,480 A 9/1962 Vanderlip
3,185,410 A 5/1965 Smart
3,211,399 A 10/1965 Eickmann
3,253,806 A 5/1966 Eickmann
3,345,016 A 10/1967 Eickmann
3,768,757 A 10/1973 Eickmann
3,794,273 A 2/1974 Girard
4,173,321 A 11/1979 Eickmann
4,786,008 A 11/1988 Corbett
4,795,111 A 1/1989 Moller
4,799,629 A 1/1989 Mori
5,082,079 A 1/1992 Lissaman et al.
6,260,796 B1 7/2001 Klingensmith

(Continued)

1 Claim, 8 Drawing Sheets



(56)

References Cited

U.S. PATENT DOCUMENTS

D465,196 S 11/2002 Dammar
 6,626,078 B2 9/2003 Thornton
 7,210,654 B1 5/2007 Cox et al.
 D628,658 S * 12/2010 Wurm D21/442
 D648,808 S 11/2011 Seydoux et al.
 D659,771 S 5/2012 Seydoux et al.
 D691,514 S 10/2013 Wang et al.
 9,061,763 B1 * 6/2015 Christensen A63H 17/28
 D745,435 S 12/2015 Park et al.
 D759,764 S * 6/2016 Lai D12/16.1
 D760,848 S * 7/2016 McKenna D12/16.1
 D763,134 S * 8/2016 Wang D12/16.1
 D768,539 S * 10/2016 Lee H02P 5/74
 D768,789 S * 10/2016 Fargeau G08G 5/006
 D782,365 S * 3/2017 Hung B64D 17/70
 D782,366 S * 3/2017 Xiao G09F 13/0409
 D784,854 S * 4/2017 Huang B64D 1/22
 9,630,517 B2 * 4/2017 Lee B60L 11/1824
 D796,586 S * 9/2017 Chen B60L 15/2045
 D803,723 S * 11/2017 Chen G06T 3/4038
 9,868,363 B2 * 1/2018 Xiao B60L 15/2045
 2007/0105474 A1 5/2007 Gotou et al.
 2008/0048065 A1 2/2008 Kuntz
 2009/0283629 A1 11/2009 Kroetsch et al.
 2010/0243794 A1 9/2010 Jermyn
 2012/0138732 A1 6/2012 Olm et al.
 2014/0131510 A1 * 5/2014 Wang B64C 39/024
 2015/0321755 A1 * 11/2015 Martin B64C 27/50
 2016/0063987 A1 * 3/2016 Xu B64C 39/024
 2016/0122010 A1 * 5/2016 Tang G01C 19/02
 2016/0183514 A1 * 6/2016 Dederick A01M 29/06
 2016/0200207 A1 * 7/2016 Lee B60L 11/1816

2016/0309339 A1 * 10/2016 Priest H04W 24/08
 2016/0337562 A1 * 11/2016 Kang H04N 5/2254
 2016/0362173 A1 * 12/2016 Marion B64C 39/024
 2017/0001721 A1 * 1/2017 Saika B64C 27/48
 2017/0029134 A1 * 2/2017 Lee G05D 1/0676
 2017/0096075 A1 * 4/2017 Henry B60L 11/1822
 2017/0120763 A1 * 5/2017 Henry B60L 11/1822
 2017/0134963 A1 * 5/2017 Priest H04W 16/18
 2017/0137127 A1 * 5/2017 Cheng B64C 39/024
 2017/0166308 A1 * 6/2017 Desrochers B64D 1/08
 2017/0190260 A1 * 7/2017 Wang B60L 11/1822
 2017/0190422 A1 * 7/2017 Beaman B64D 1/00
 2017/0197718 A1 * 7/2017 Buchmueller B64D 1/22
 2017/0215086 A1 * 7/2017 Priest H04W 16/18
 2017/0221395 A1 * 8/2017 Benatar G09F 13/0409
 2017/0222594 A1 * 8/2017 Tao H02P 29/024
 2017/0225792 A1 * 8/2017 Wang B64D 17/70
 2017/0225795 A1 * 8/2017 Lin B64C 39/024
 2017/0240277 A1 * 8/2017 Molnar B64C 39/022
 2017/0247107 A1 * 8/2017 Hauer B64C 39/024
 2017/0283050 A1 * 10/2017 Baek B64C 27/08
 2017/0300717 A1 * 10/2017 Hu G06F 21/6245
 2017/0313418 A1 * 11/2017 Yoon B64C 39/024
 2017/0315562 A1 * 11/2017 Wang G05D 1/0676
 2017/0327223 A1 * 11/2017 Sekine B64C 39/024
 2017/0334570 A1 * 11/2017 Xiao H02P 5/74
 2017/0358212 A1 * 12/2017 Godwin G08G 5/006
 2018/0012336 A1 * 1/2018 Cao G06T 3/4038
 2018/0054572 A1 * 2/2018 Minato H04N 5/23296

FOREIGN PATENT DOCUMENTS

CN 303126329 S 3/2015
 CN 303168325 S 4/2015
 CN 303206942 S 5/2015
 CN 303255986 S 6/2015
 CN 303255987 S 6/2015
 CN 303307559 S 7/2015
 CN 303367223 S 9/2015
 CN 303403035 S 10/2015
 CN 303452142 S 11/2015
 CN 303478218 S 12/2015
 CN 303491333 S 12/2015
 CN 303530921 S 12/2015
 CN 303530922 S 12/2015
 CN 303530929 S 12/2015
 CN 303562862 S 1/2016
 CN 303562876 S 1/2016
 KR 30-0819716 10/2015

* cited by examiner

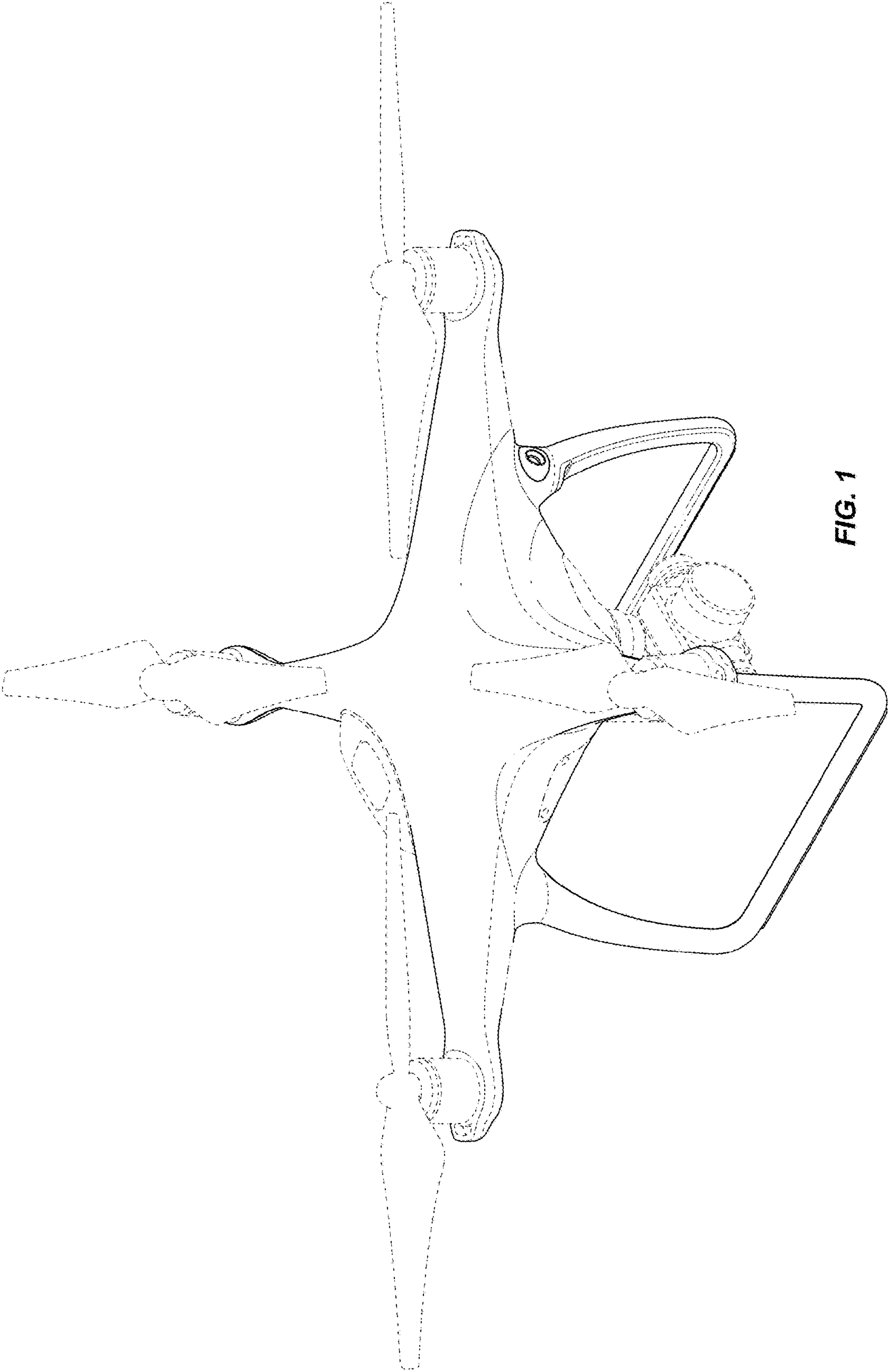


FIG. 1

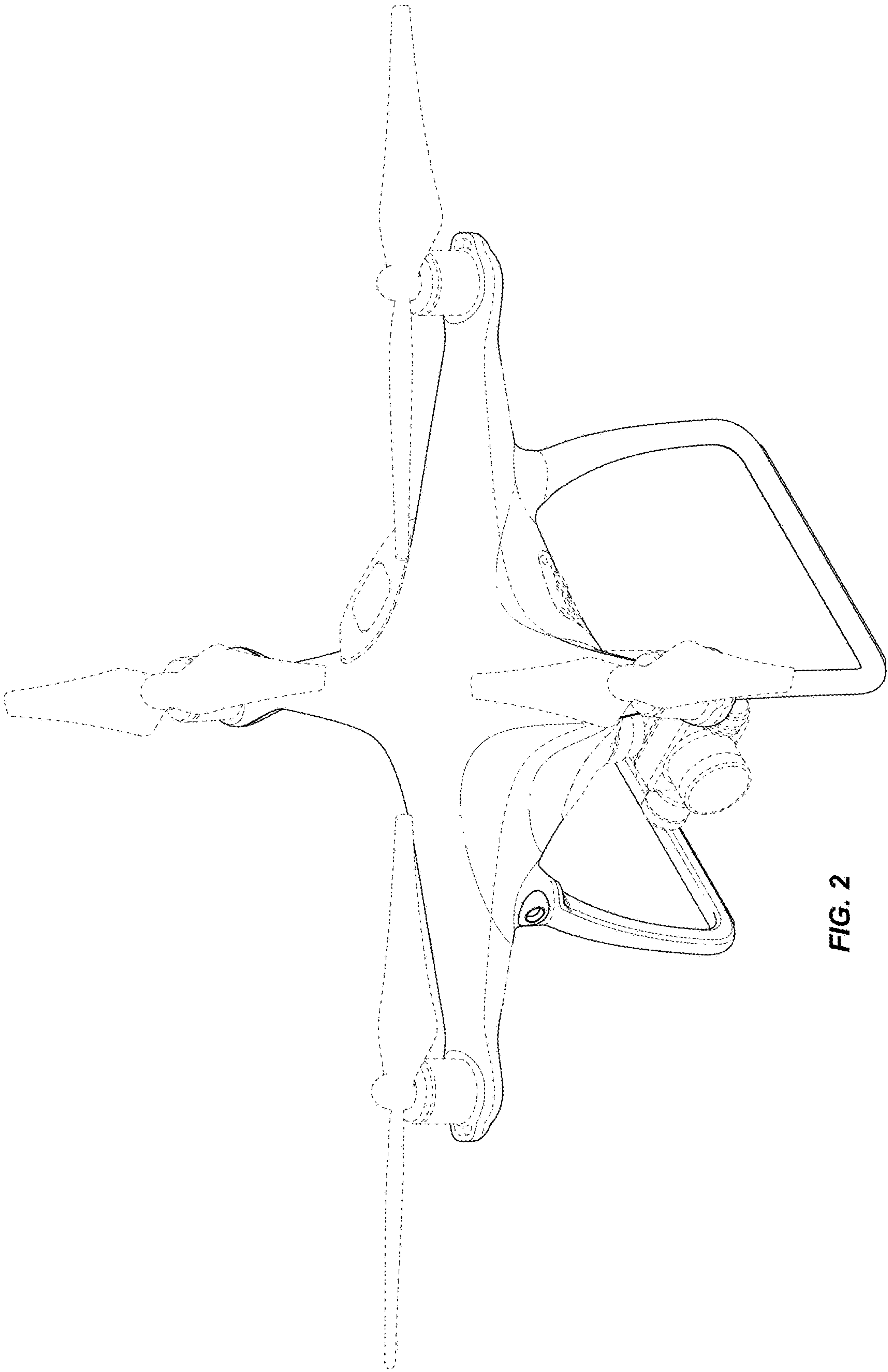


FIG. 2

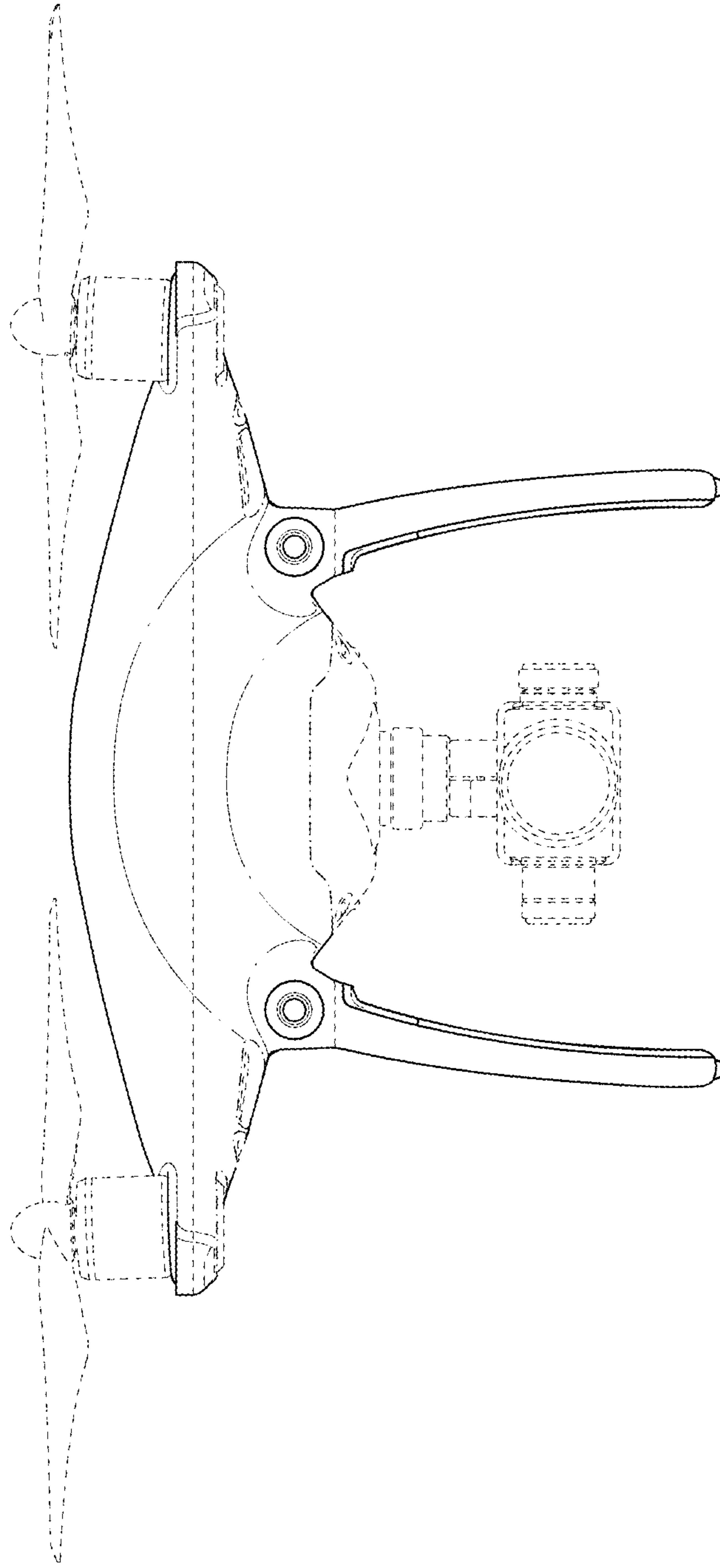


FIG. 3

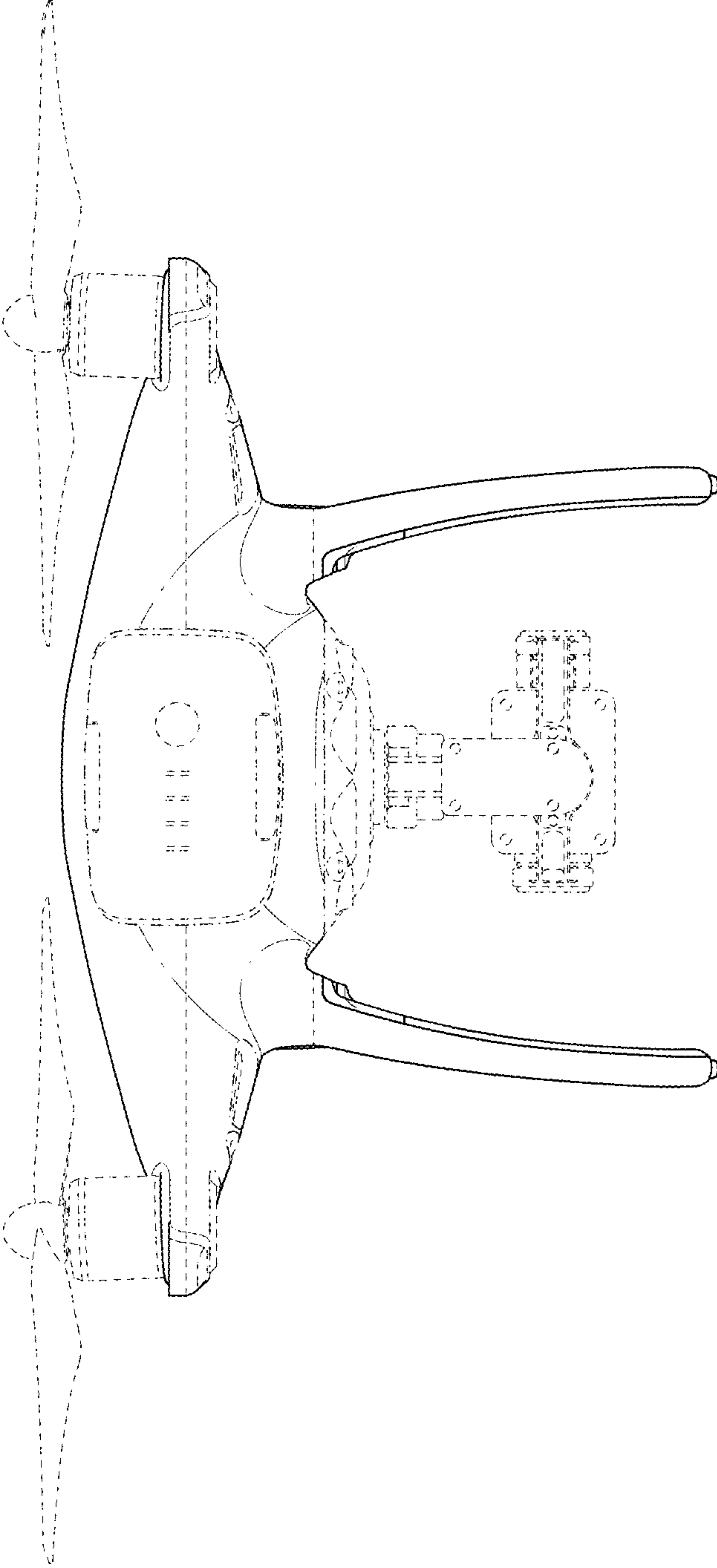


FIG. 4

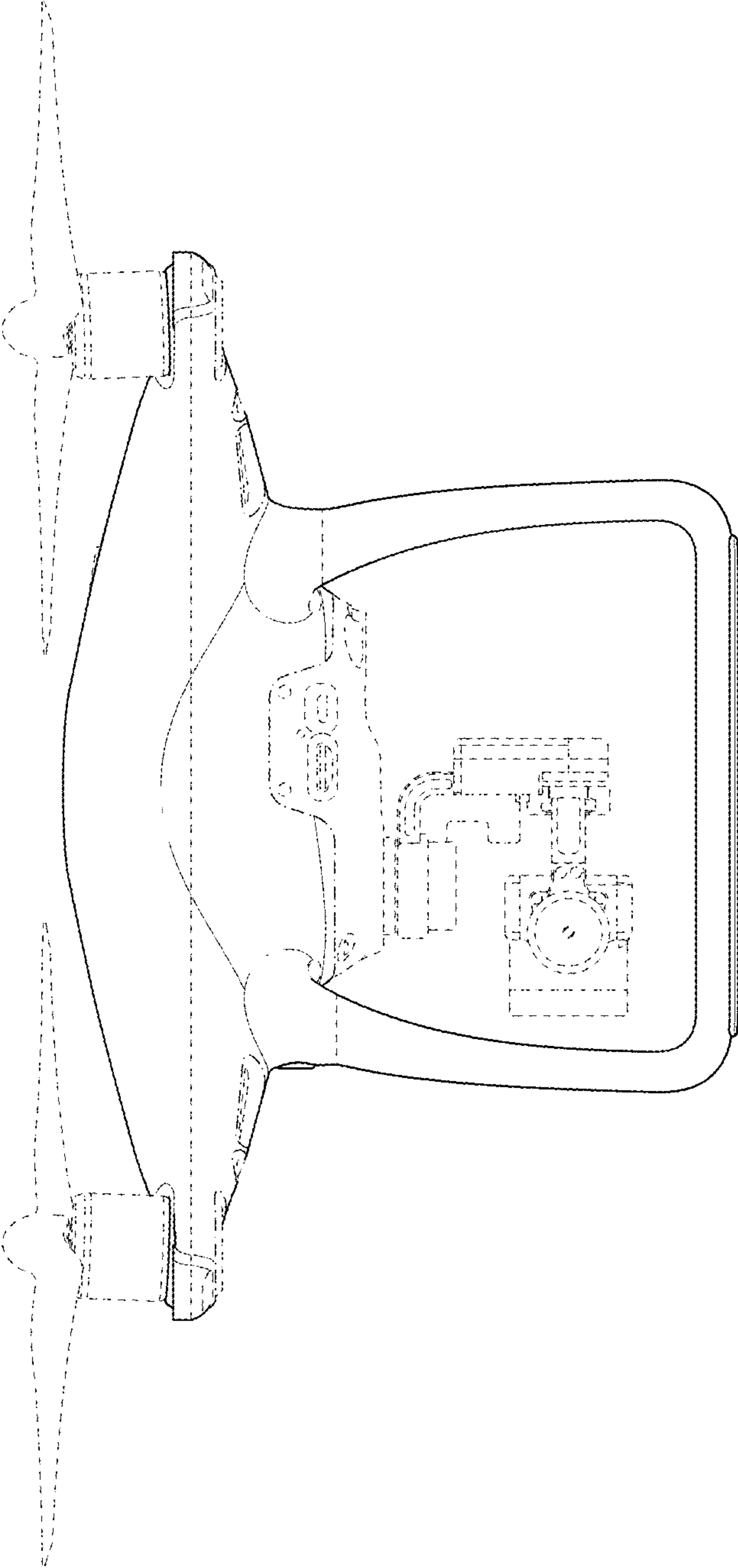


FIG. 5

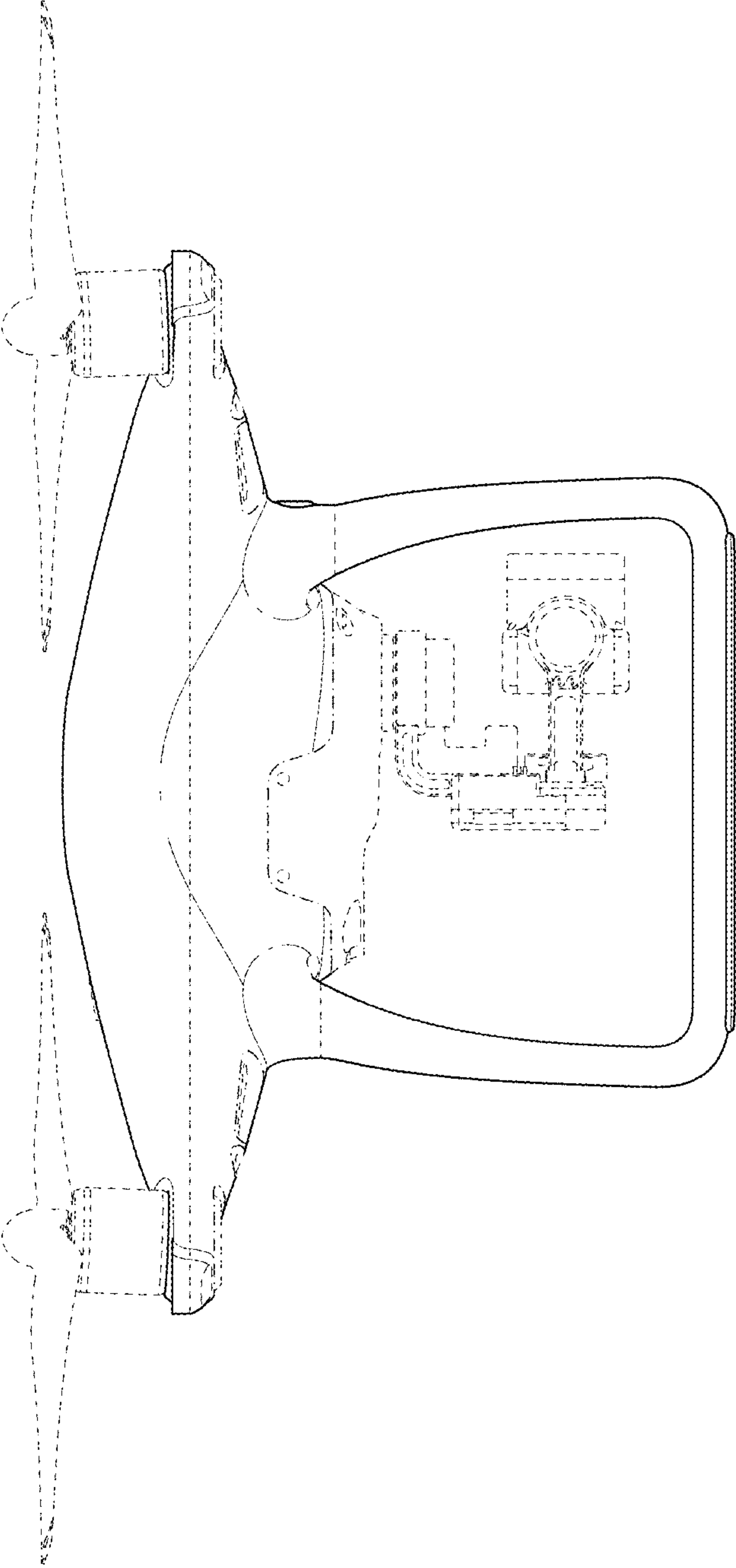


FIG. 6

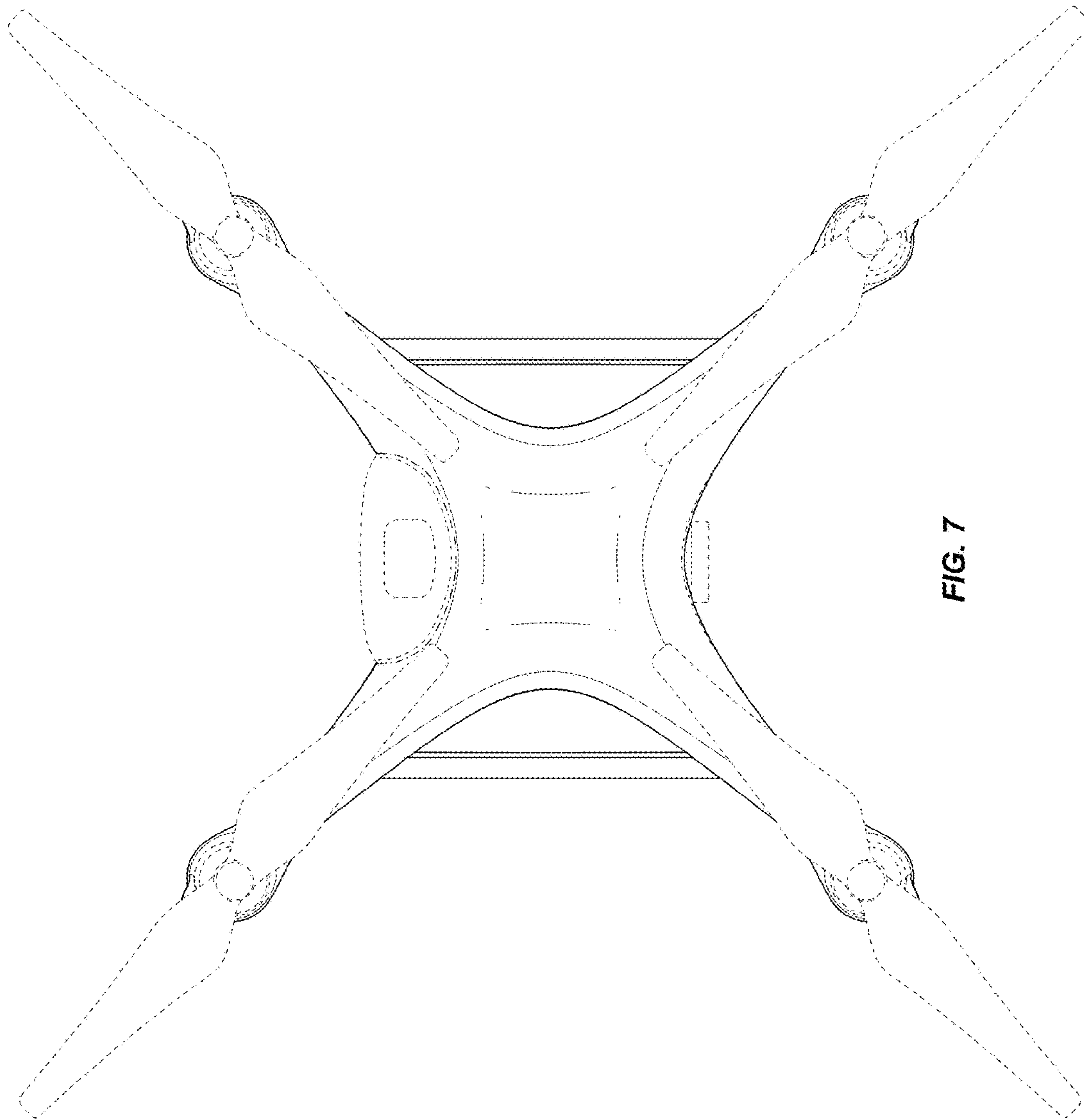


FIG. 7

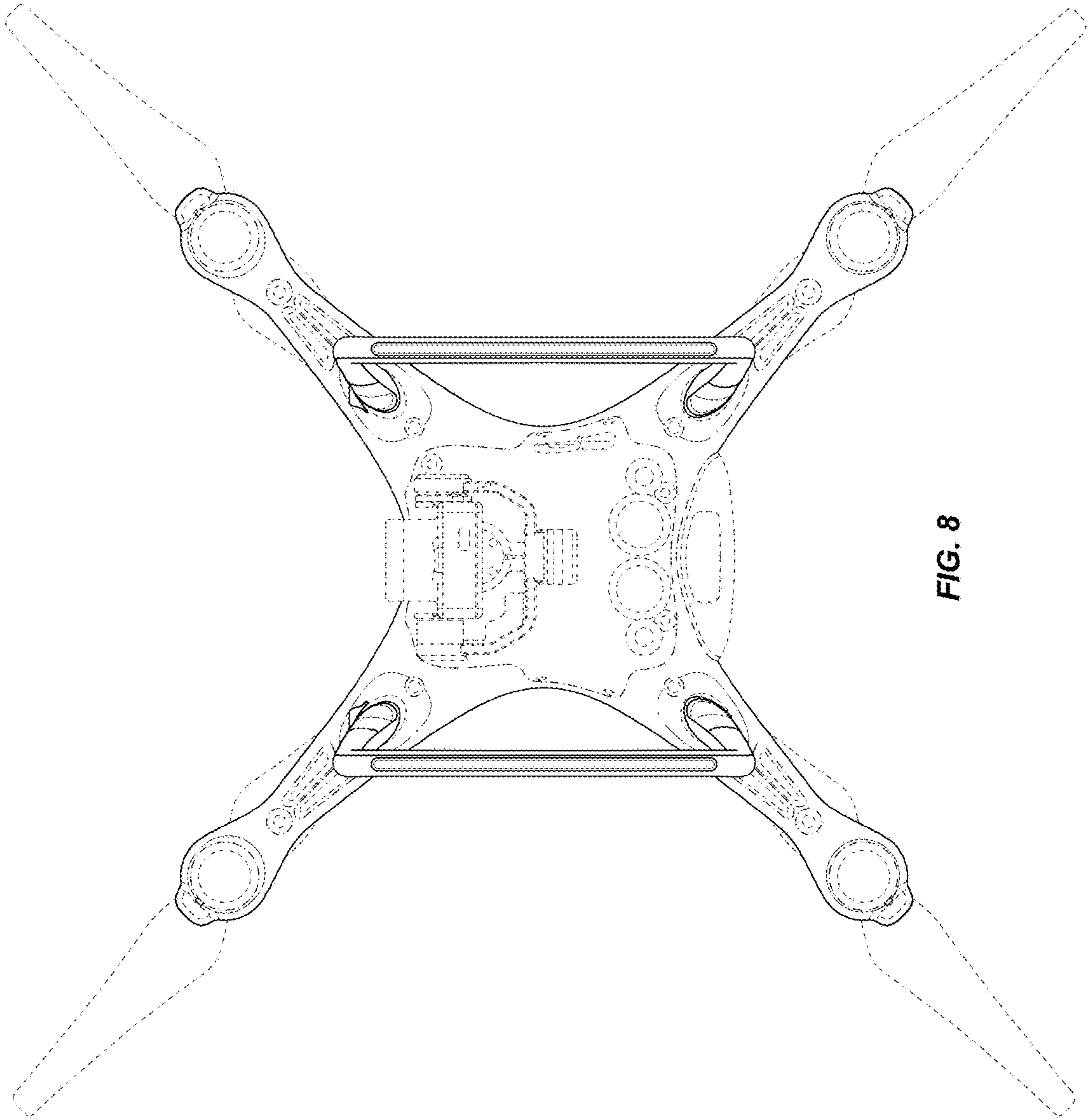


FIG. 8