



US00D843265S

(12) **United States Design Patent** (10) **Patent No.:** **US D843,265 S**
Kramer (45) **Date of Patent:** **** Mar. 19, 2019**

(54) **ZIPPER PULL TAB**

(71) Applicant: **Travel Caddy, Inc.**, Elk Grove Village, IL (US)

(72) Inventor: **Jason Michael Kramer**, Greendale, IN (US)

(73) Assignee: **Travel Caddy, Inc.**, Elk Grove Village, IL (US)

(**) Term: **15 Years**

(21) Appl. No.: **29/623,631**

(22) Filed: **Oct. 26, 2017**

(51) **LOC (11) Cl.** **02-07**

(52) **U.S. Cl.**
USPC **D11/221**

(58) **Field of Classification Search**
USPC D11/200, 201, 221; 24/326, 327, 24/381-383, 385-389, 401, 414-417,
(Continued)

(56) **References Cited**

U.S. PATENT DOCUMENTS

- 394,598 A * 12/1888 McClintock F16B 45/02
24/599.8
D285,989 S * 10/1986 MacDonald D3/207
(Continued)

Primary Examiner — Ralf Seifert

(74) *Attorney, Agent, or Firm* — Nancy R. Gamburd;
Gamburd Law Group LLC

(57) **CLAIM**

The ornamental design for a zipper pull tab, as shown and described.

DESCRIPTION

FIG. 1 is a first, front isometric view of an embodiment of a new ornamental design for a zipper pull tab, illustrating a pivotable gate in a closed position, and showing the novel design.

FIG. 2 is a second, front isometric view of the embodiment of a new ornamental design for the zipper pull tab, illustrating the pivotable gate in the closed position, and showing the novel design.

FIG. 3 is a front view of the embodiment of the new ornamental design for the zipper pull tab, illustrating the pivotable gate in the closed position, and showing the novel design.

FIG. 4 is a rear view of the embodiment of the new ornamental design for the zipper pull tab, illustrating the pivotable gate in the closed position, and showing the novel design.

FIG. 5 is a first side view of the embodiment of the new ornamental design for the zipper pull tab, illustrating the pivotable gate in the closed position, and showing the novel design.

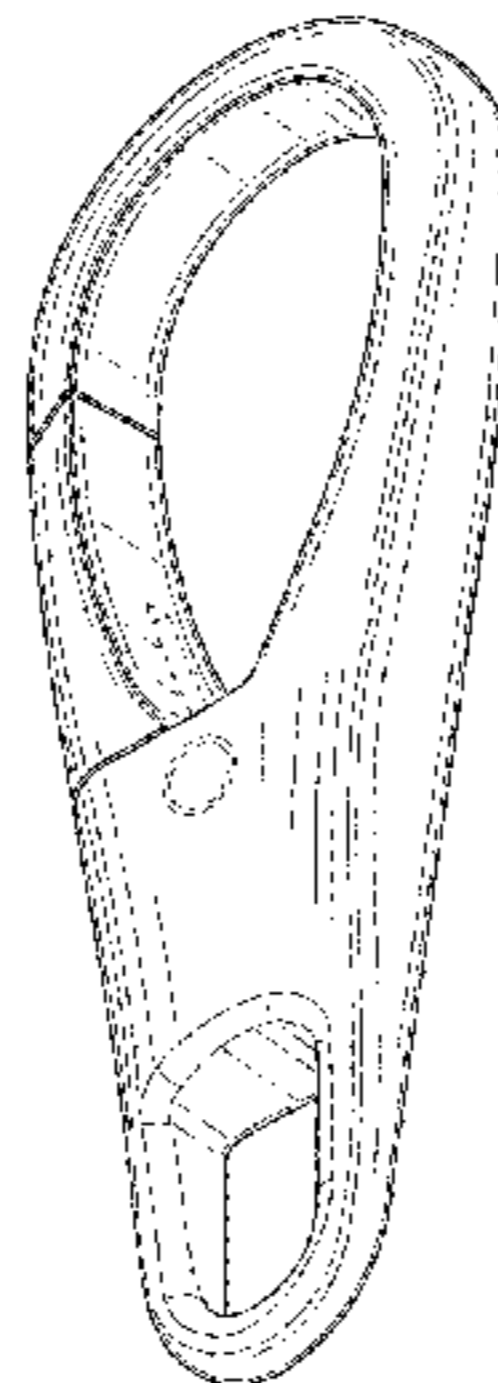
FIG. 6 is a second side view of the embodiment of the new ornamental design for the zipper pull tab, and showing the novel design.

FIG. 7 is a bottom view of the embodiment of the new ornamental design for the zipper pull tab, and showing the novel design; and,

FIG. 8 is a top, plan view of the embodiment of the new ornamental design for the zipper pull tab, and showing the novel design.

The dashed or broken lines shown in the Figures (FIGS. 1-4) show portions of a representative embodiment of the zipper pull tab which form no part of the claimed design, including a pivotable coupling and a recess for housing a bias spring. The shade lines in the Figures (FIGS. 1-8) show contour and not surface ornamentation. The design may be applicable to any and all types of zipper pulls or zipper pull tabs for any type of zipper and/or zipper slider, including those for carrying bags, carrying strap fasteners, other fasteners used with carrying bags for holding or securing a plurality of items, articles of clothing, and all other fasteners which may be used for other or additional applications.

1 Claim, 5 Drawing Sheets



(58) **Field of Classification Search**

USPC 24/421-422, 427-431, 433, 434, 573.11;
2/265; D2/641, 642; 294/3.6; 223/118;
D8/33, 34, 40
CPC A44B 19/00; A44B 19/02; A44B 19/04;
A44B 19/10; A44B 19/26; A44B 19/30;
A44B 19/06; A44B 19/34; A44B 19/40;
A44B 19/52; A44B 19/38; A44B 13/02;
G02C 3/003; A44H 37/06; B29C
45/14573

See application file for complete search history.

(56) **References Cited**

U.S. PATENT DOCUMENTS

D372,356 S * 8/1996 Marguerite D3/209
5,586,374 A * 12/1996 Nishida A44C 5/2038
24/599.4
D474,980 S * 5/2003 Finkay D10/31
D524,038 S * 7/2006 Leung D14/480.5
D578,430 S * 10/2008 Ball D11/221
D631,788 S * 2/2011 Dawson D11/221
D646,195 S * 10/2011 Gut D11/221
D672,283 S * 12/2012 Spruill D11/1
D696,154 S * 12/2013 McGinnis D11/221
9,131,758 B2 * 9/2015 Stein A45C 13/001
D820,152 S * 6/2018 Cowdery D11/221

* cited by examiner

FIG. 1

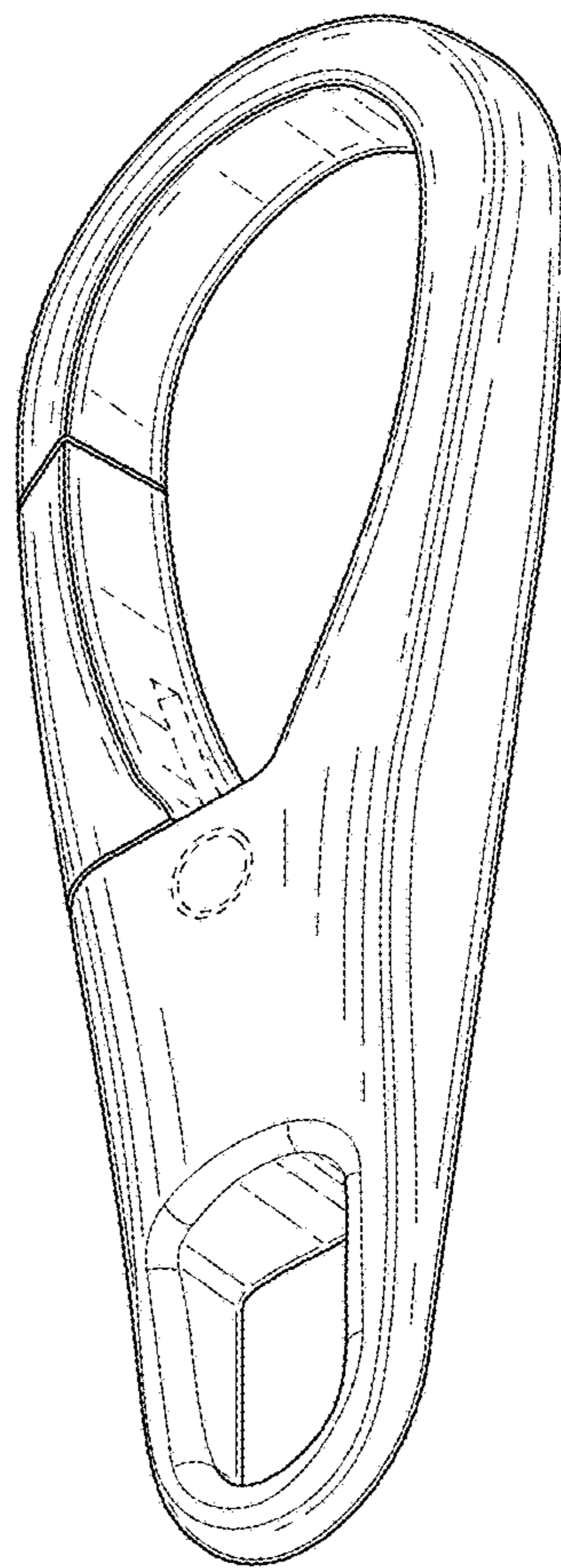


FIG. 2

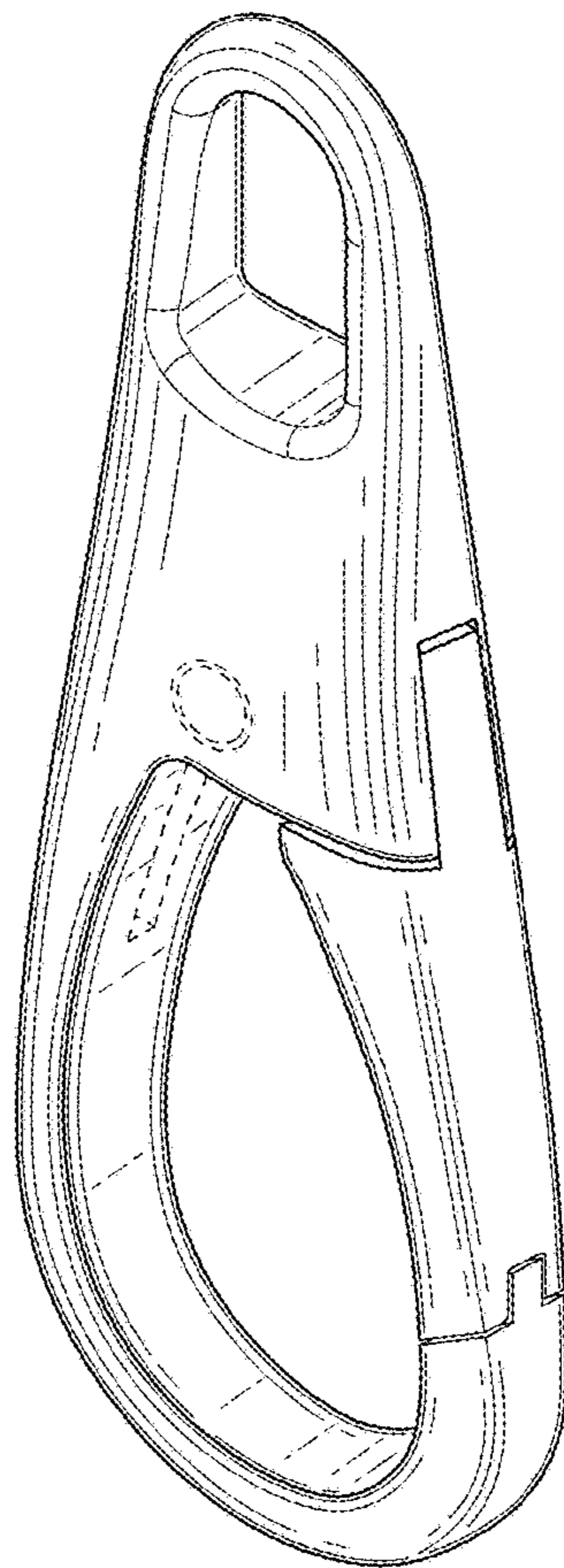


FIG. 3

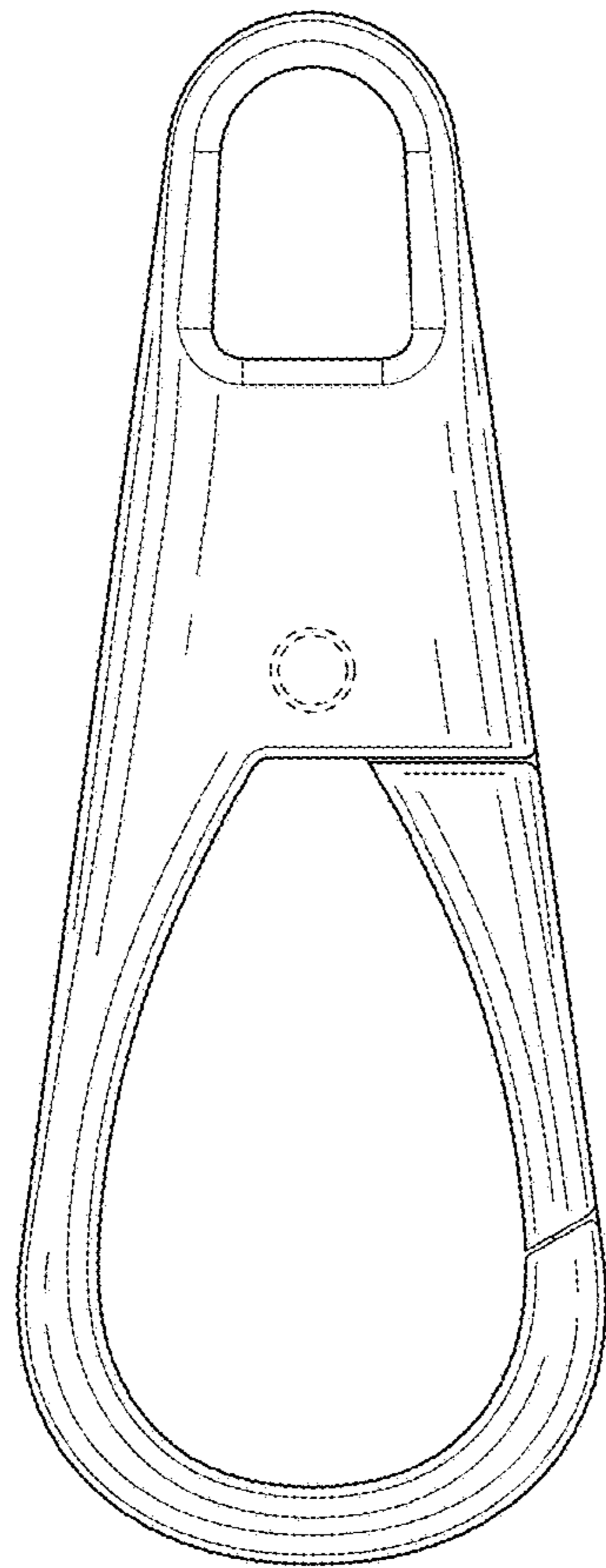


FIG. 4

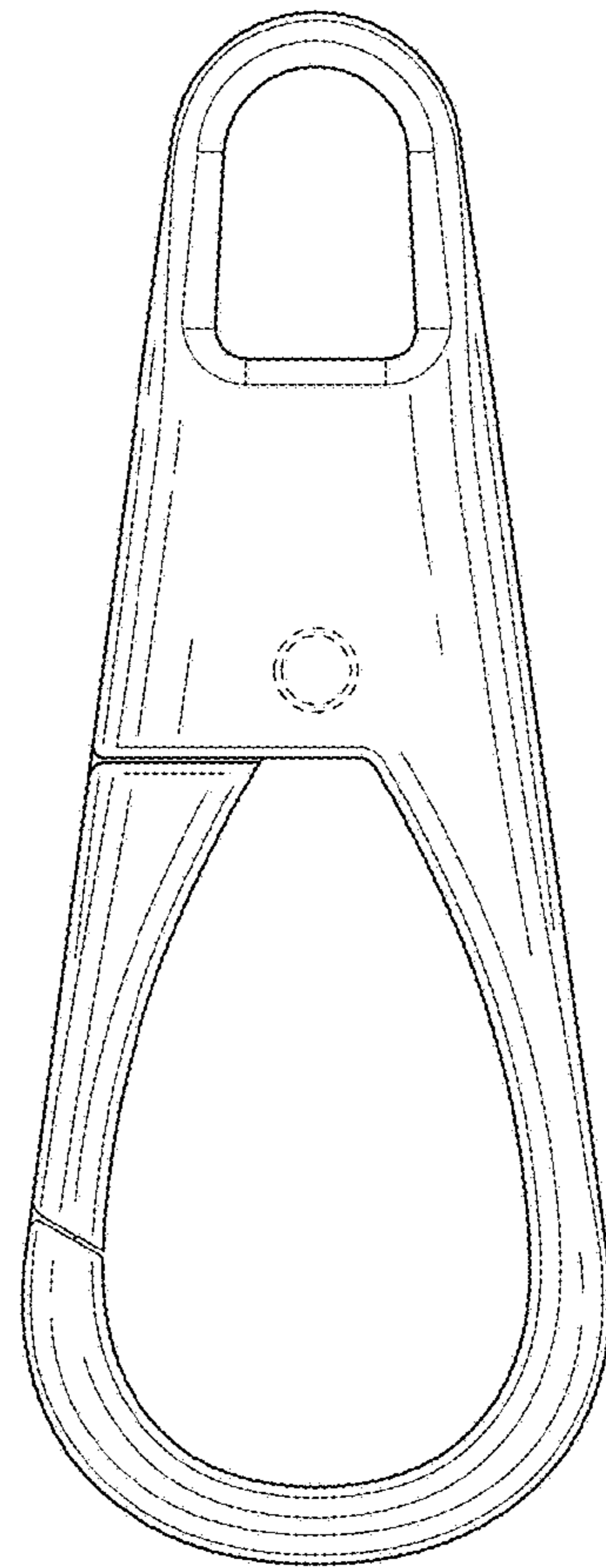


FIG. 5

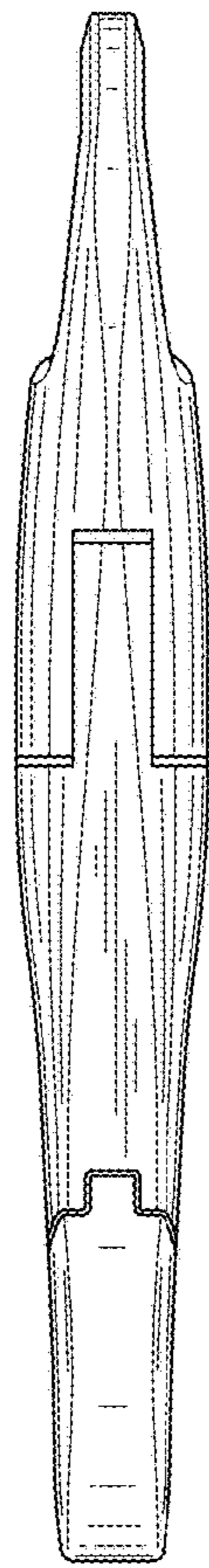


FIG. 6



FIG. 7

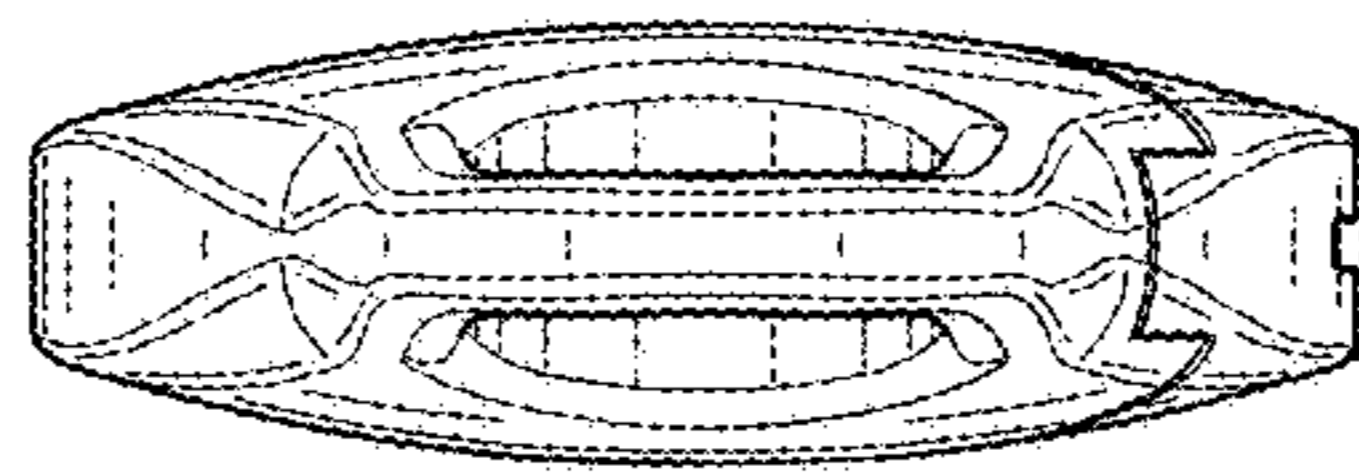


FIG. 8

