



US00D843264S

(12) **United States Design Patent**
Tosatto

(10) **Patent No.:** **US D843,264 S**
(45) **Date of Patent:** **** Mar. 19, 2019**

- (54) **TIE KNOT COVER**
- (71) Applicant: **Ferruccio Tosatto**, Grandson (CH)
- (72) Inventor: **Ferruccio Tosatto**, Grandson (CH)
- (**) Term: **15 Years**
- (21) Appl. No.: **35/503,274**
- (22) Filed: **Dec. 29, 2016**
- (80) **Hague Agreement Data**
 Int. Filing Date: **Dec. 29, 2016**
 Int. Reg. No.: **DM/094514**
 Int. Reg. Date: **Dec. 29, 2016**
 Int. Reg. Pub. Date: **Jun. 30, 2017**
- (51) **LOC (11) Cl.** **02-07**
- (52) **U.S. Cl.**
USPC **D11/202; D2/609**
- (58) **Field of Classification Search**
USPC D2/853, 602, 605-609; D11/202-205
CPC A41D 25/022; A41D 25/025; A41D 25/02;
A41D 25/10; A41D 25/08; A41D 25/14;
A41D 25/003; A41D 25/027; A41D 25/12
See application file for complete search history.

- D388,238 S * 12/1997 LaBorde D2/609
- D398,435 S * 9/1998 Gray D2/605
- 5,864,882 A * 2/1999 Kowalyk A41D 25/10
2/148
- D420,201 S * 2/2000 Azhar D2/609
- 6,094,746 A * 8/2000 Miller A41D 25/10
2/138
- 6,367,127 B1 * 4/2002 Lee A41D 25/025
2/153
- 6,427,245 B1 * 8/2002 Alcala A41D 25/022
2/152.1
- 7,143,482 B2 * 12/2006 Sens-Grosholz A41D 25/022
24/66.3
- D550,929 S * 9/2007 Cordonier D2/600
- D622,931 S * 9/2010 Jenkins D2/609

(Continued)

OTHER PUBLICATIONS

Hoodtie, [online], [site visited Sep. 18, 2018]. Available from internet, <URL: <https://hoodtie.com/en/>>.*

Primary Examiner — Jennifer L Watkins
(74) *Attorney, Agent, or Firm* — Taft Stettinius & Hollister LLP

(57) **CLAIM**

The ornamental design for a tie knot cover, as shown and described.

(56) **References Cited**

U.S. PATENT DOCUMENTS

- 2,316,002 A * 4/1943 Koivisto A41D 25/022
2/144
- 3,588,918 A * 6/1971 Thistle A41D 25/022
2/153
- D280,572 S * 9/1985 Koppelmans D11/204
- 5,008,981 A * 4/1991 Smithson A41D 25/022
24/115 G
- 5,010,593 A * 4/1991 Stevens, Jr. A41D 25/022
2/148
- 5,035,002 A * 7/1991 Knight, Jr. A41D 25/022
2/137
- D364,723 S * 12/1995 Cox D2/609
- D383,887 S * 9/1997 Pehr D2/609

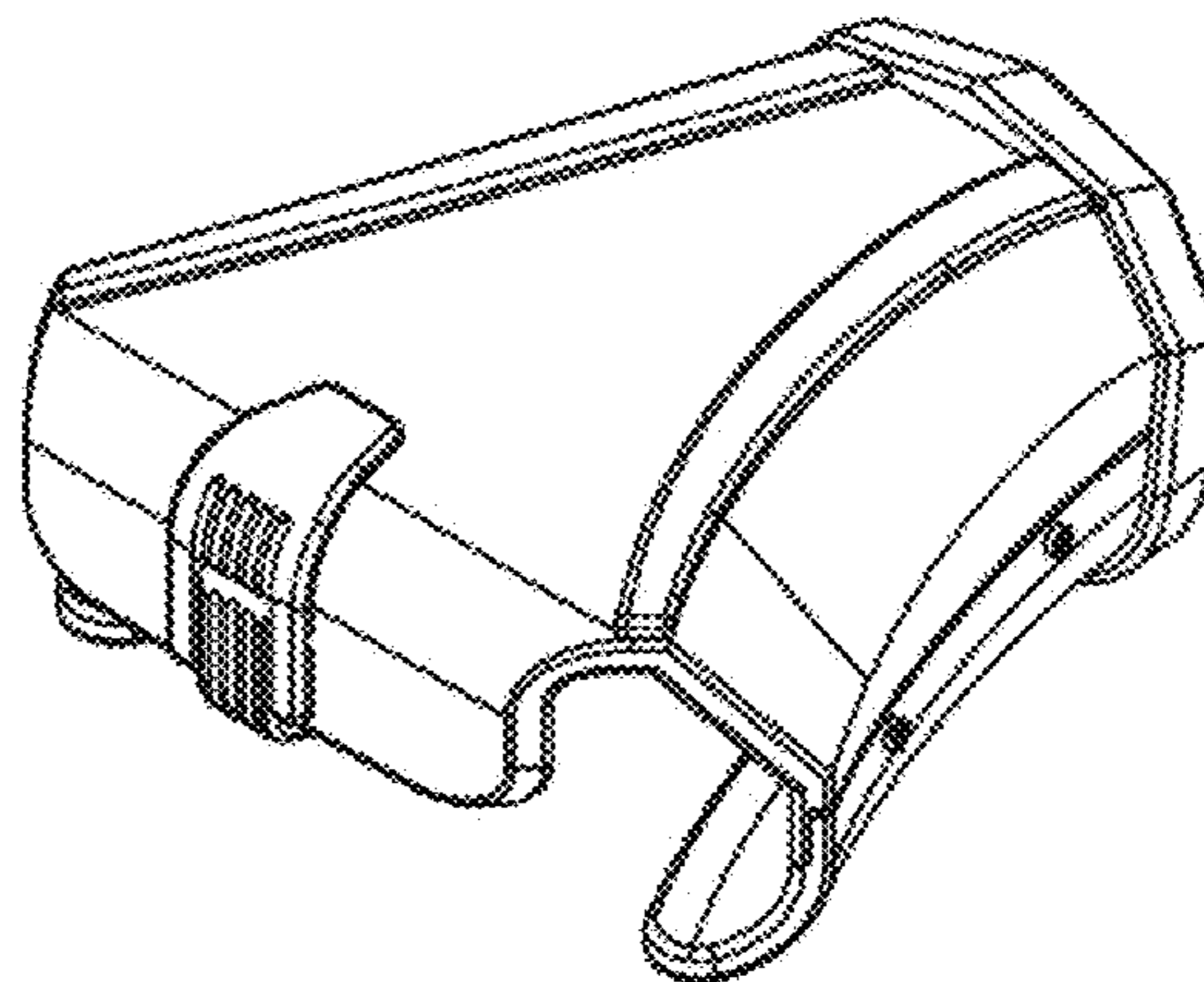
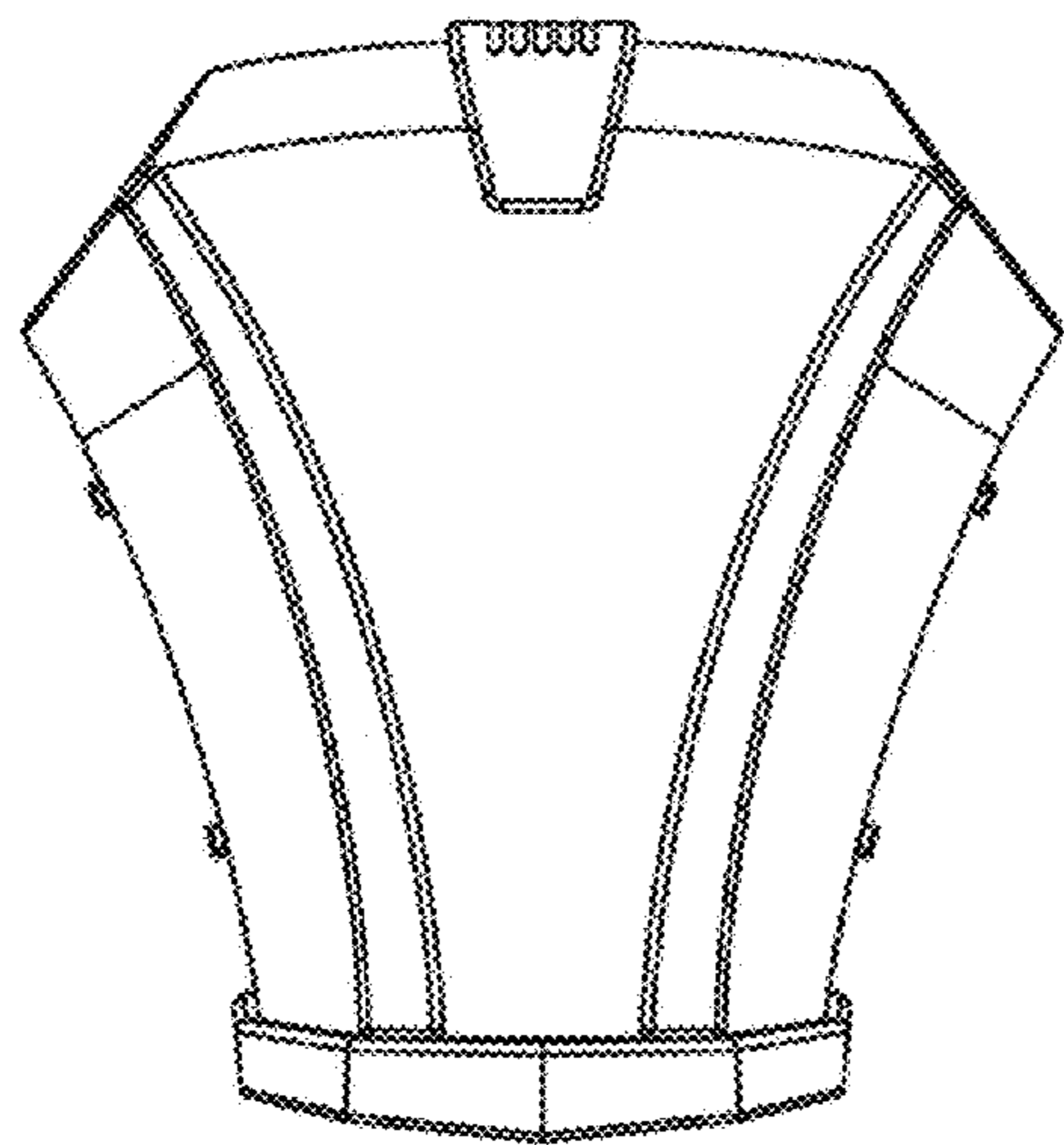
DESCRIPTION

2. Tie knot cover

- 2.1 : Top
- 2.2 : Bottom
- 2.3 : Front
- 2.4 : Left
- 2.5 : Right
- 2.6 : Perspective
- 2.7 : Perspective

The broken lines in the figures are for the purpose of depicting portions of the tie knot cover that form no part of the claim.

1 Claim, 7 Drawing Sheets



(56)

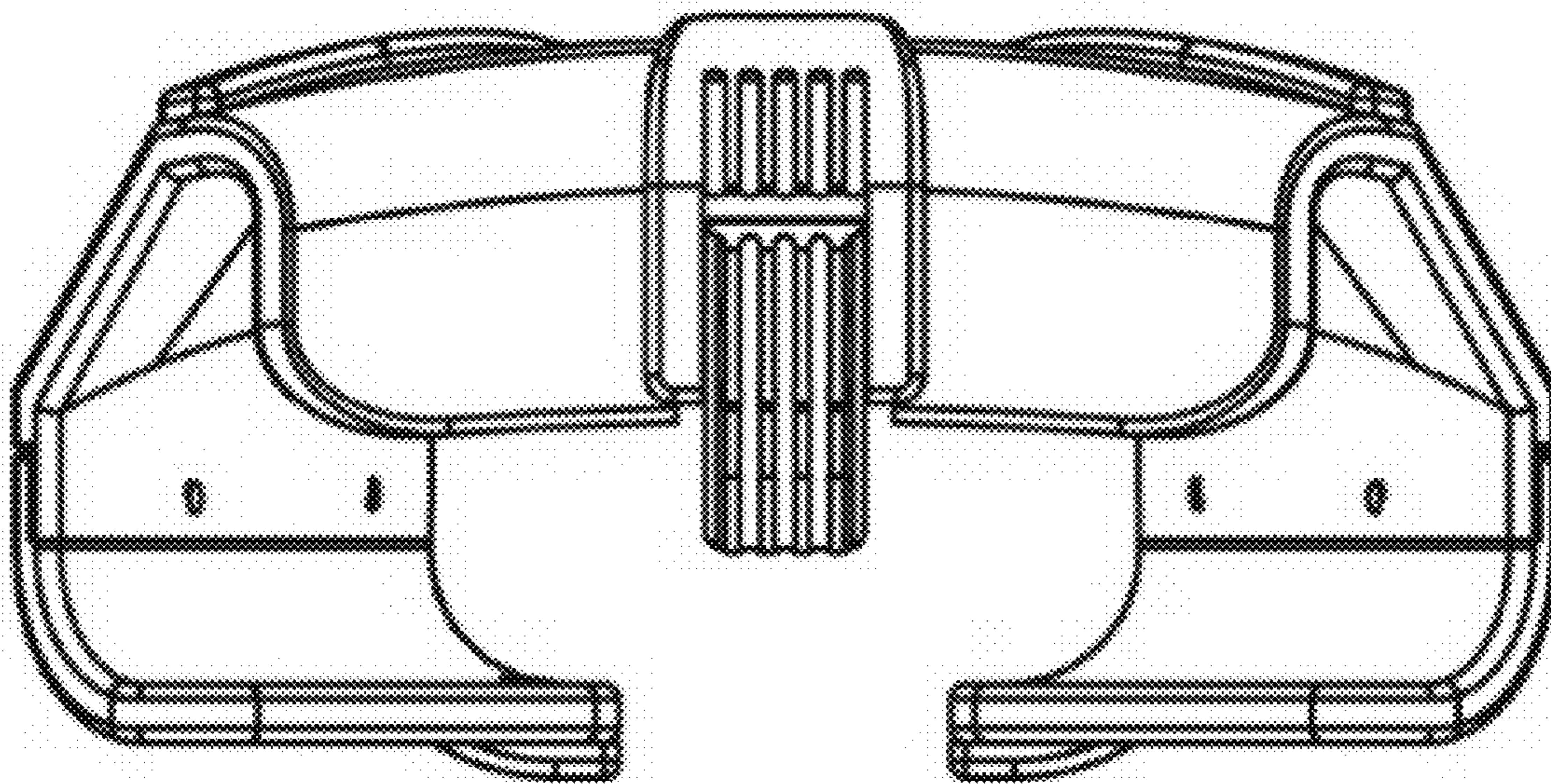
References Cited

U.S. PATENT DOCUMENTS

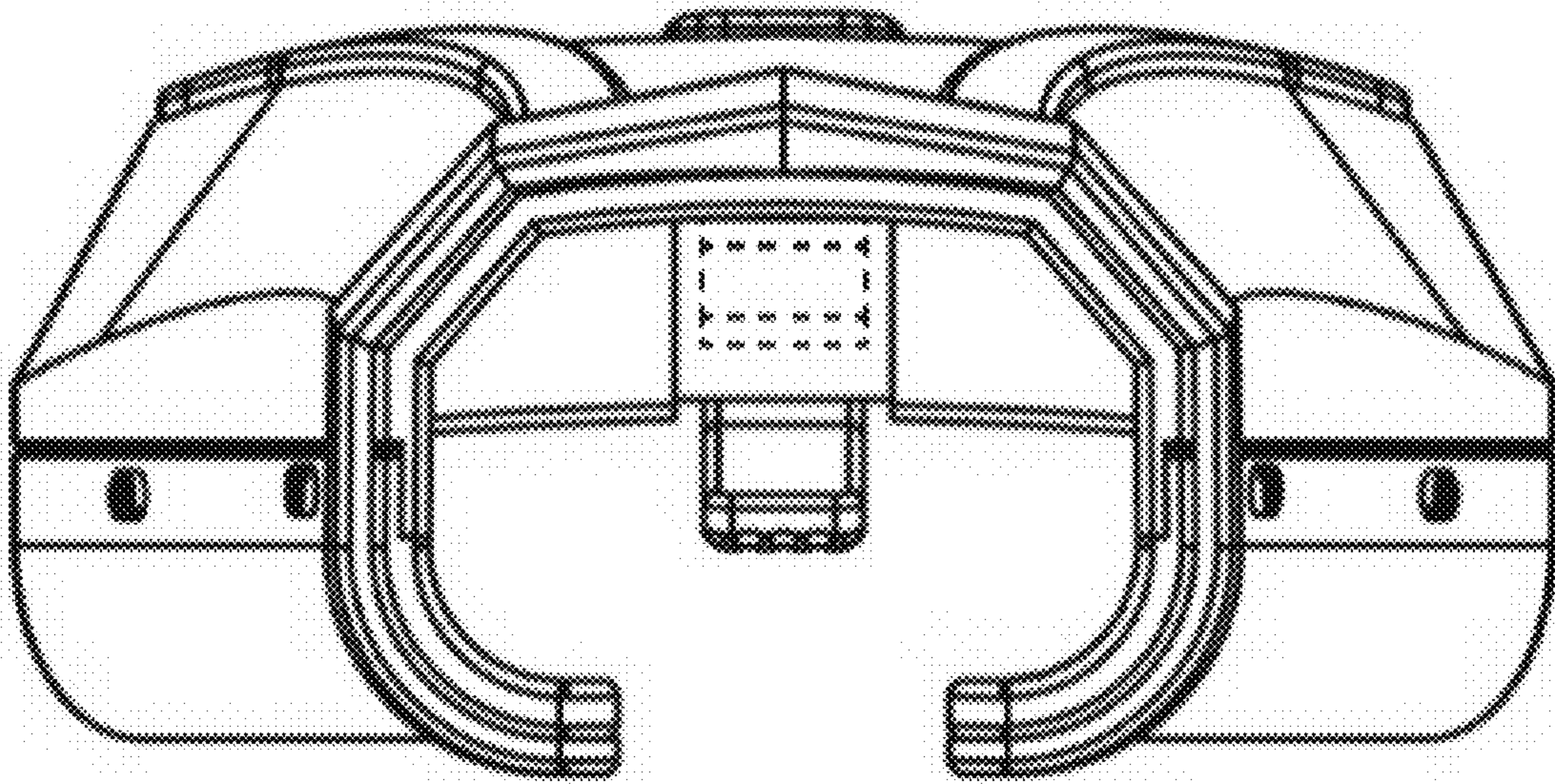
D662,691 S * 7/2012 Jeter, Jr. A43B 3/0078
D2/853
D663,916 S * 7/2012 Bracey D2/605
D732,278 S * 6/2015 Dwamena D2/853
D744,194 S * 12/2015 Speer D2/609
D776,001 S * 1/2017 Jones D11/202
D787,776 S * 5/2017 Lewis D2/609
9,781,961 B2 * 10/2017 Erickson A41D 25/027
D805,270 S * 12/2017 Lucero D2/609
D812,842 S * 3/2018 Lucero D2/609
2005/0120461 A1 * 6/2005 Dickens A41D 25/022
2/144
2014/0283278 A1 * 9/2014 Jordan A41D 25/02
2/145
2015/0223531 A1 * 8/2015 Granados A41D 25/025
2/152.1

* cited by examiner

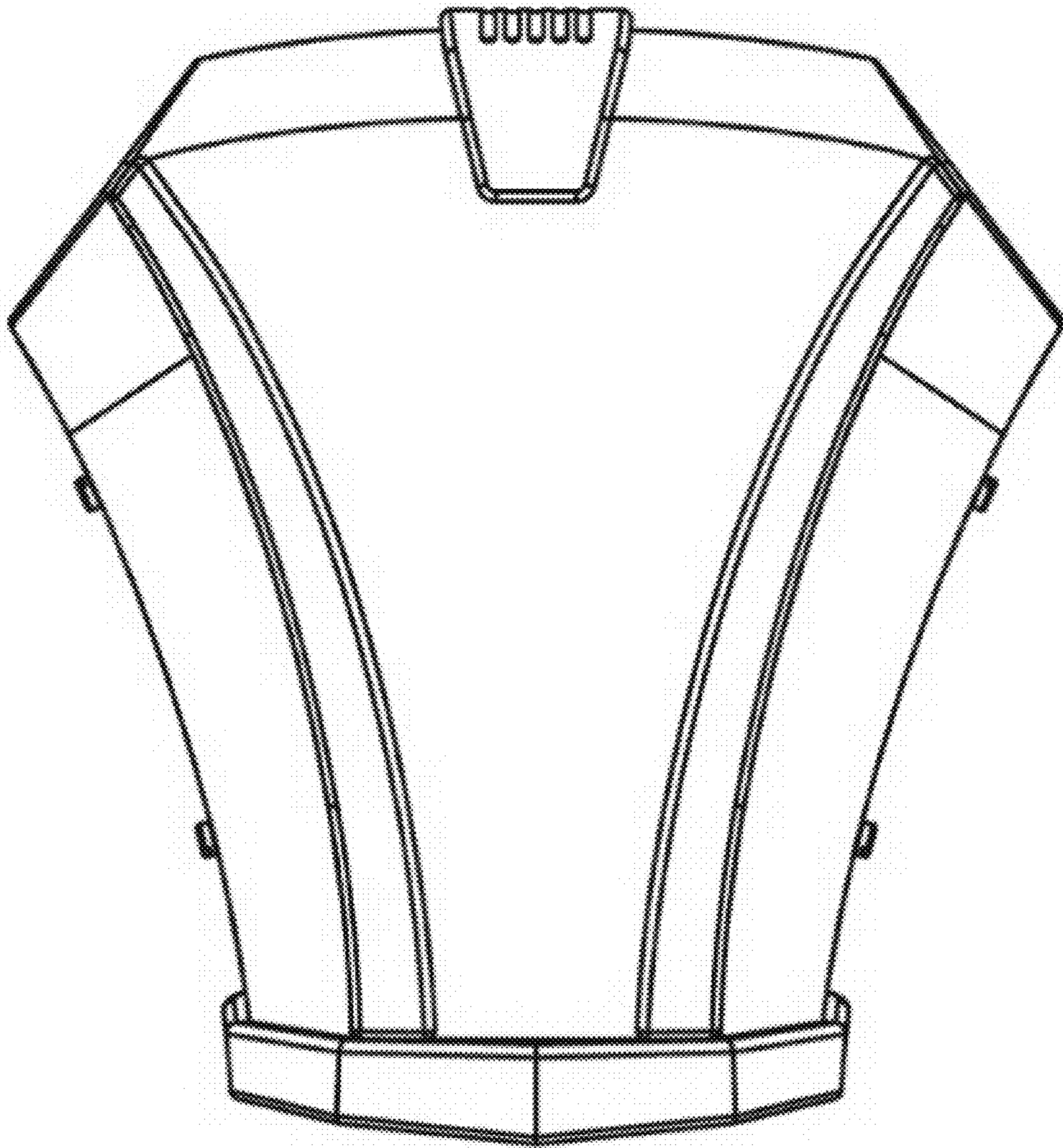
2.1



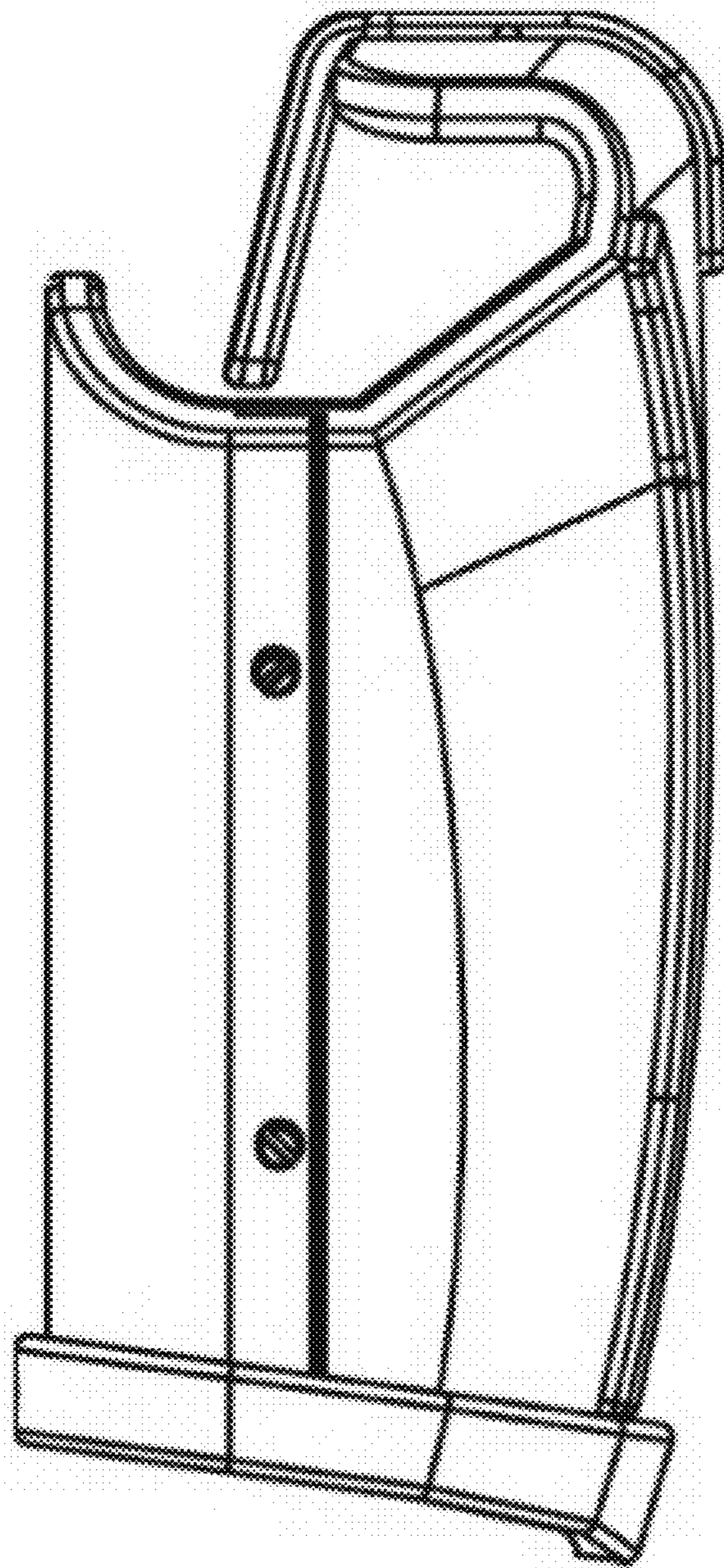
2.2



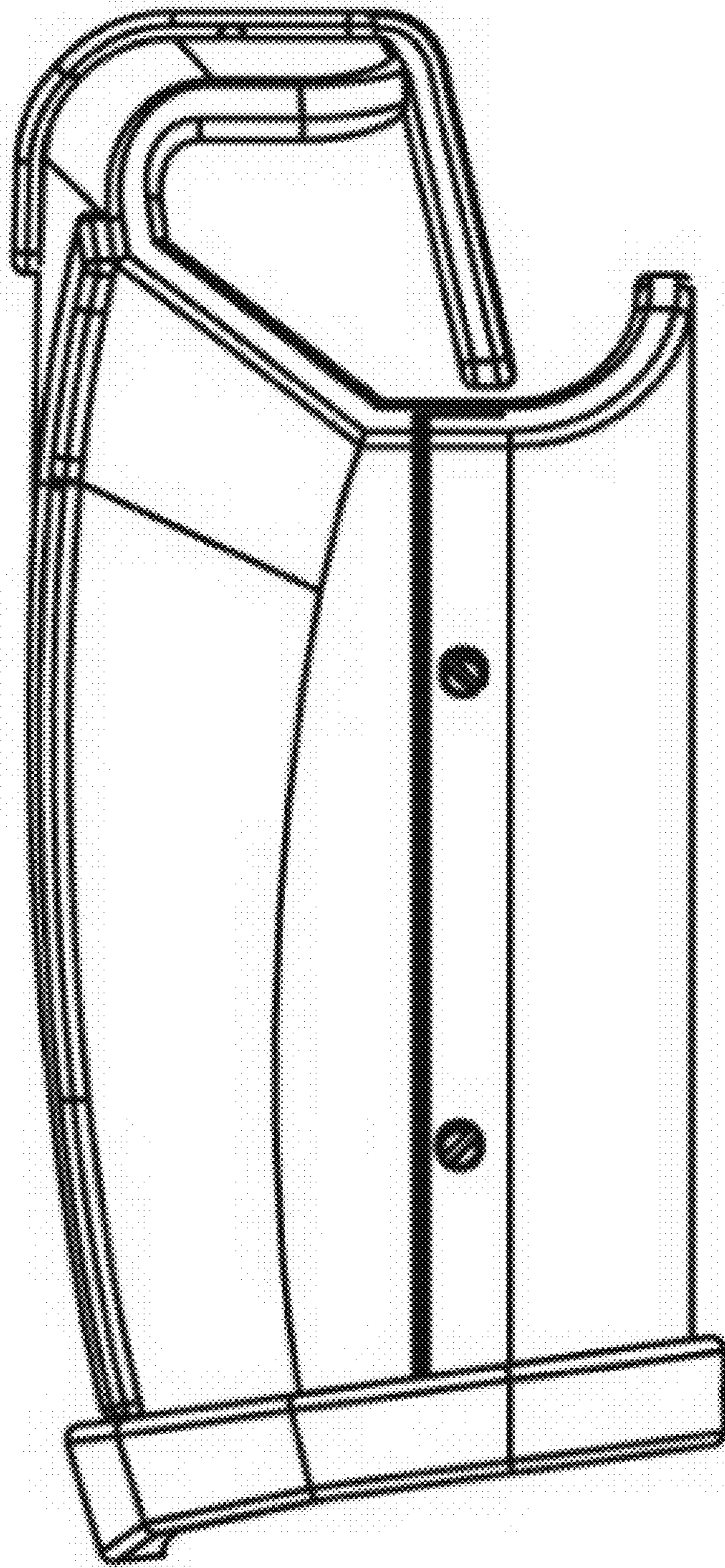
2.3



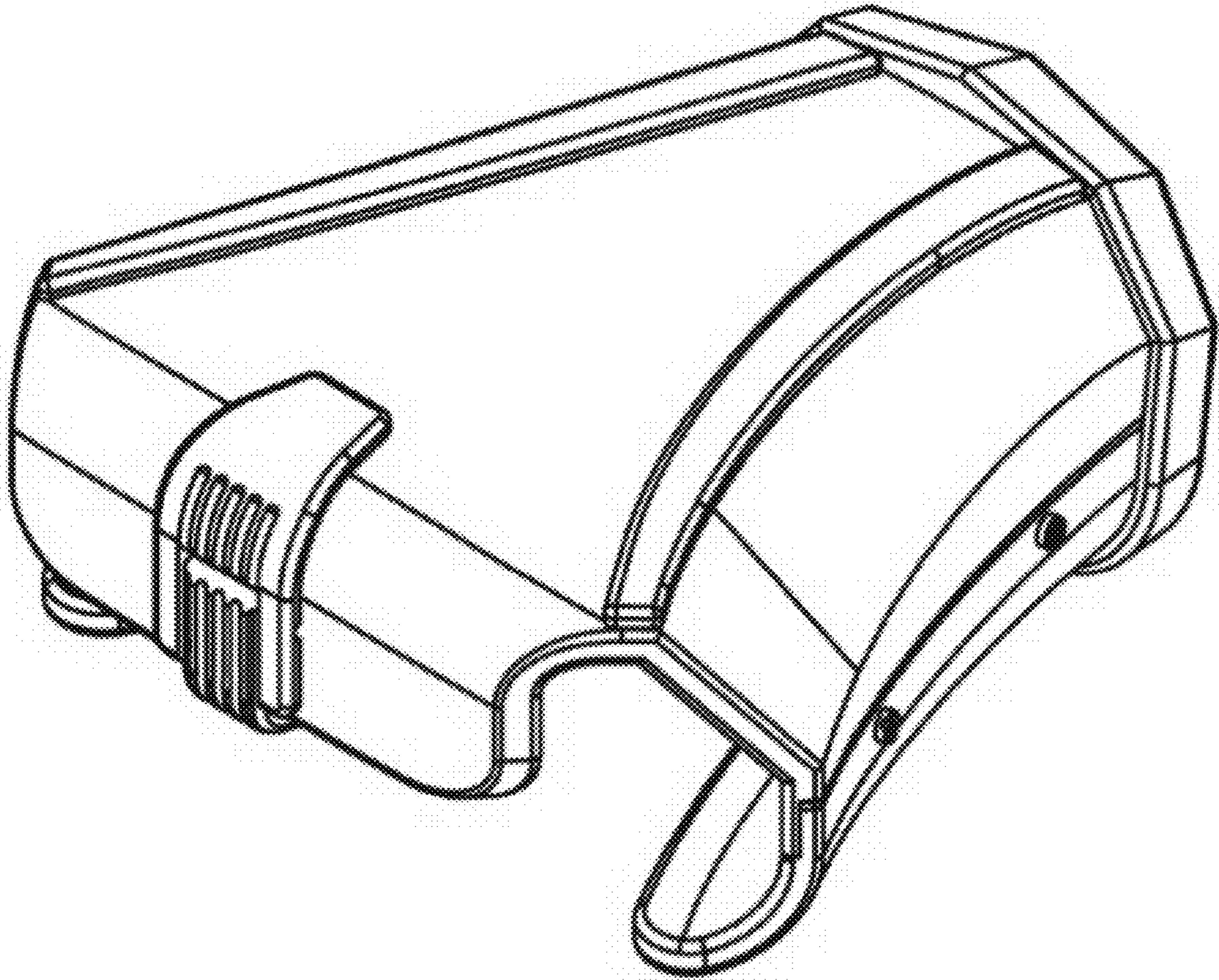
2.4



2.5



2.6



2.7

