



US00D843259S

(12) **United States Design Patent**  
**Pucek**

(10) **Patent No.:** **US D843,259 S**  
(45) **Date of Patent:** **\*\* Mar. 19, 2019**

(54) **BRACELET ATTACHMENT**

(71) Applicant: **Jeffrey T. Pucek**, Monroe, NC (US)

(72) Inventor: **Jeffrey T. Pucek**, Monroe, NC (US)

(\*\*) Term: **15 Years**

(21) Appl. No.: **29/555,499**

(22) Filed: **Feb. 23, 2016**

(51) **LOC (11) Cl.** ..... **11-01**

(52) **U.S. Cl.**  
USPC ..... **D11/86**

(58) **Field of Classification Search**

USPC ..... D11/1-25, 32, 93, 94

CPC ..... A44C 5/00; A44C 5/0007; A44C 5/14;  
A44C 5/142; A44C 5/185; A44C 5/2057;  
A44C 5/2071; A44C 5/2076

See application file for complete search history.

(56) **References Cited**

U.S. PATENT DOCUMENTS

D368,672 S *	4/1996	Goeden .....	D11/200
D441,314 S *	5/2001	Nisguretsky .....	D11/86
D442,113 S *	5/2001	Nisguretsky .....	D11/86
D550,430 S *	9/2007	Martin, Jr. ....	D11/3
D691,511 S	10/2013	Macumber	
D691,913 S	10/2013	Outland	
D705,695 S	5/2014	Wall	
D716,172 S	10/2014	Howe	
D717,198 S *	11/2014	Plusquellec .....	D11/86
D770,933 S *	11/2016	Matysik .....	D11/86
D803,716 S *	11/2017	Grainger .....	D11/86

\* cited by examiner

*Primary Examiner* — Zenia I Bennett

(74) *Attorney, Agent, or Firm* — Addition, Higgins & Pendleton, P.A.

(57) **CLAIM**

The ornamental design for a bracelet attachment, as shown and described.

**DESCRIPTION**

FIG. 1 is a top plan view of a bracelet attachment as claimed herein and positioned on a bracelet, the bracelet depicted as an environmental structure in broken lines.

FIG. 2 is a side perspective view of a bracelet attachment as claimed herein, depicting a front cross section 3-3, and positioned on a bracelet, the bracelet depicted as an environmental structure in broken lines.

FIG. 3 is a front cross section view of section 3-3 shown in FIG. 2.

FIG. 4 is a side perspective view of a bracelet attachment as claimed herein, depicting a side cross section 5-5, and positioned on a bracelet, the bracelet depicted as an environmental structure in broken lines.

FIG. 5 is a side cross section view of section 5-5 shown in FIG. 4.

FIG. 6 is a bottom plan view of a bracelet attachment as claimed herein and positioned on a bracelet, the bracelet depicted as an environmental structure in broken lines.

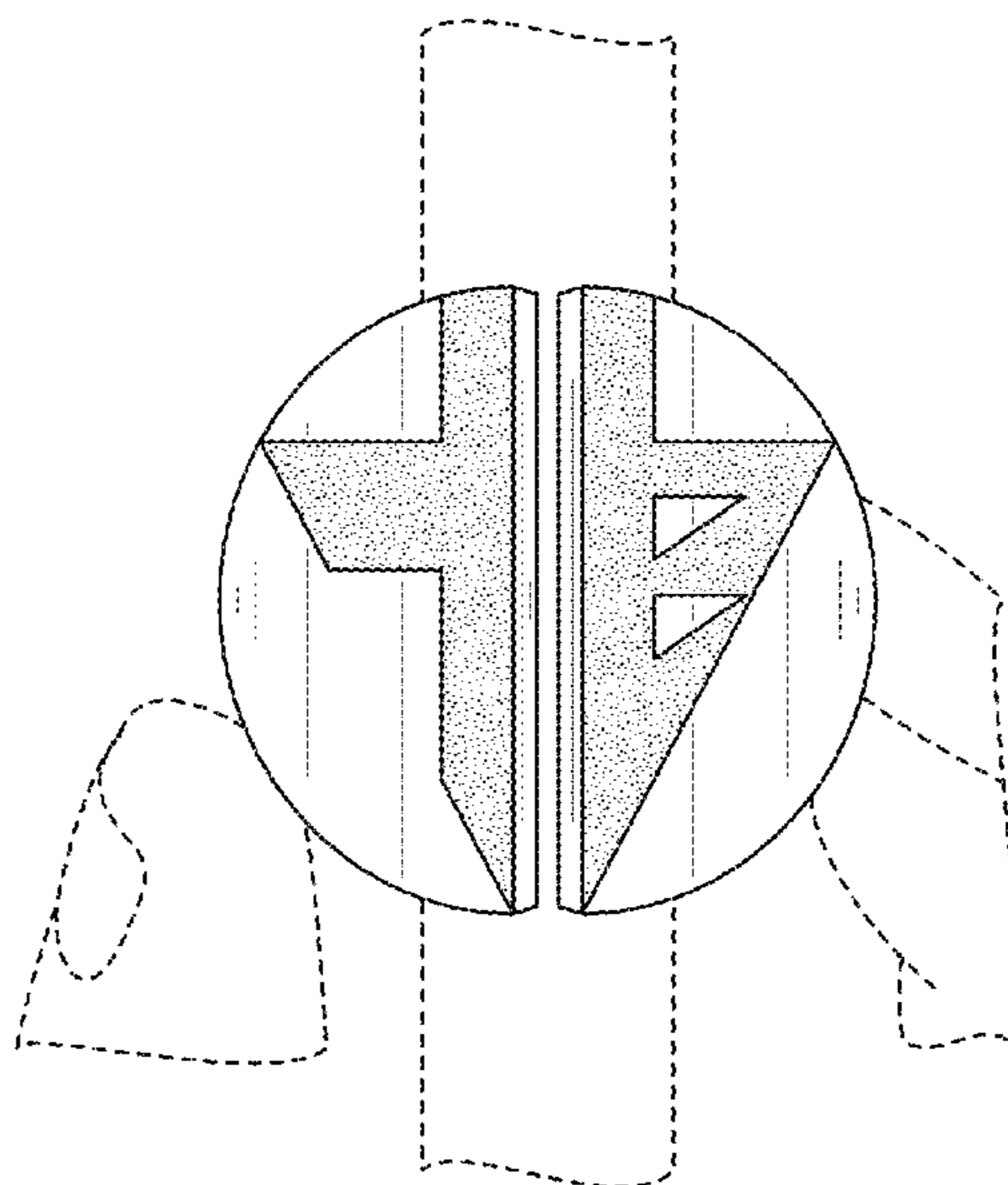
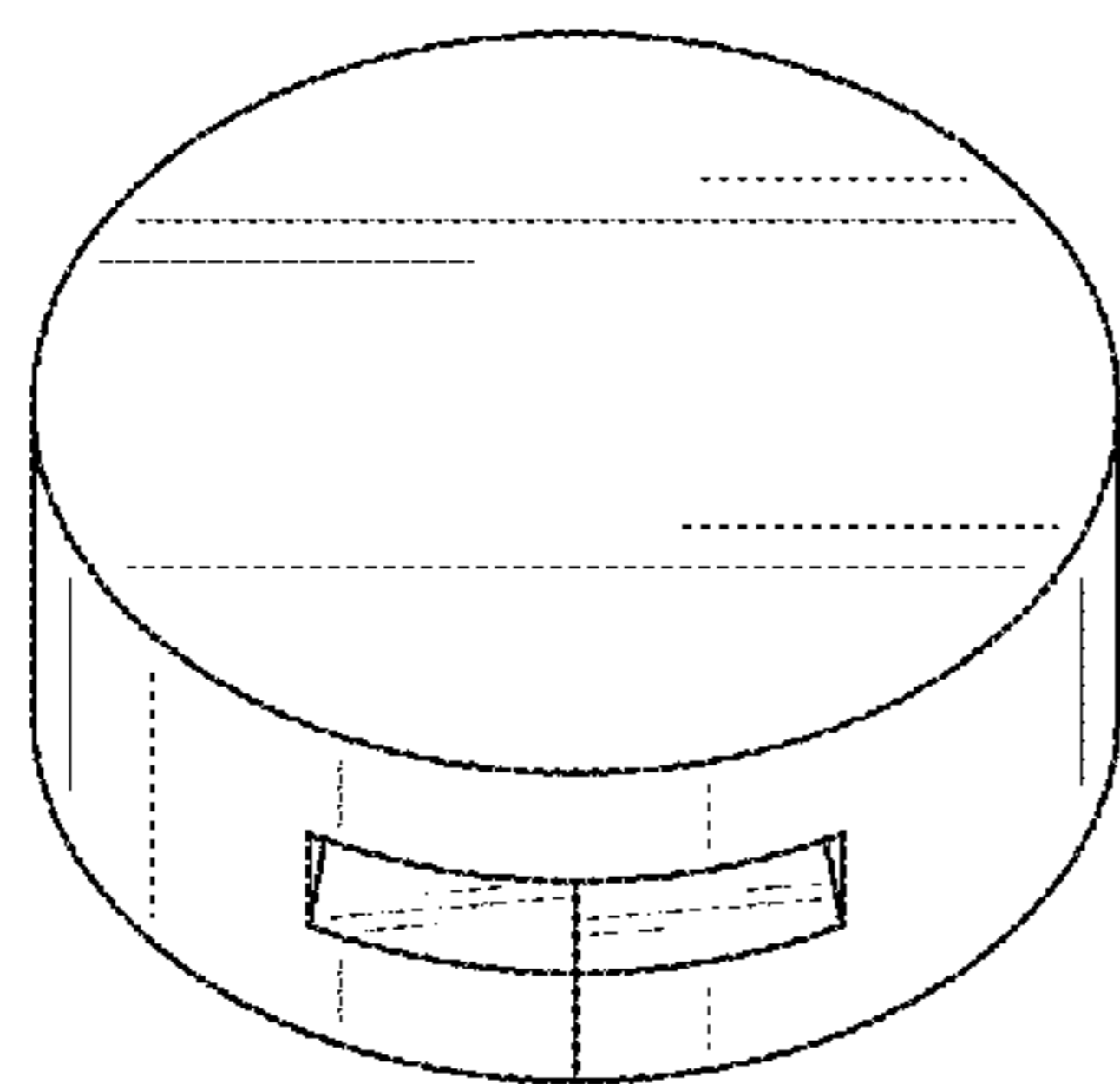
FIG. 7 is a top perspective view of a bracelet attachment defining a bottom slit and bracelet entry point in a closed position, as claimed herein.

FIG. 8 is a bottom plan view of a bracelet attachment in an opened position along a bottom slit and positioned around a bracelet, the bracelet depicted as an environmental structure in broken lines; and,

FIG. 9 is a top perspective view of the bracelet attachment of FIG. 8 in an opened position along a bottom slit.

The portions of the figures shown in broken lines are shown for illustrative and environmental purposes only and do not form part of the claimed design.

**1 Claim, 4 Drawing Sheets**



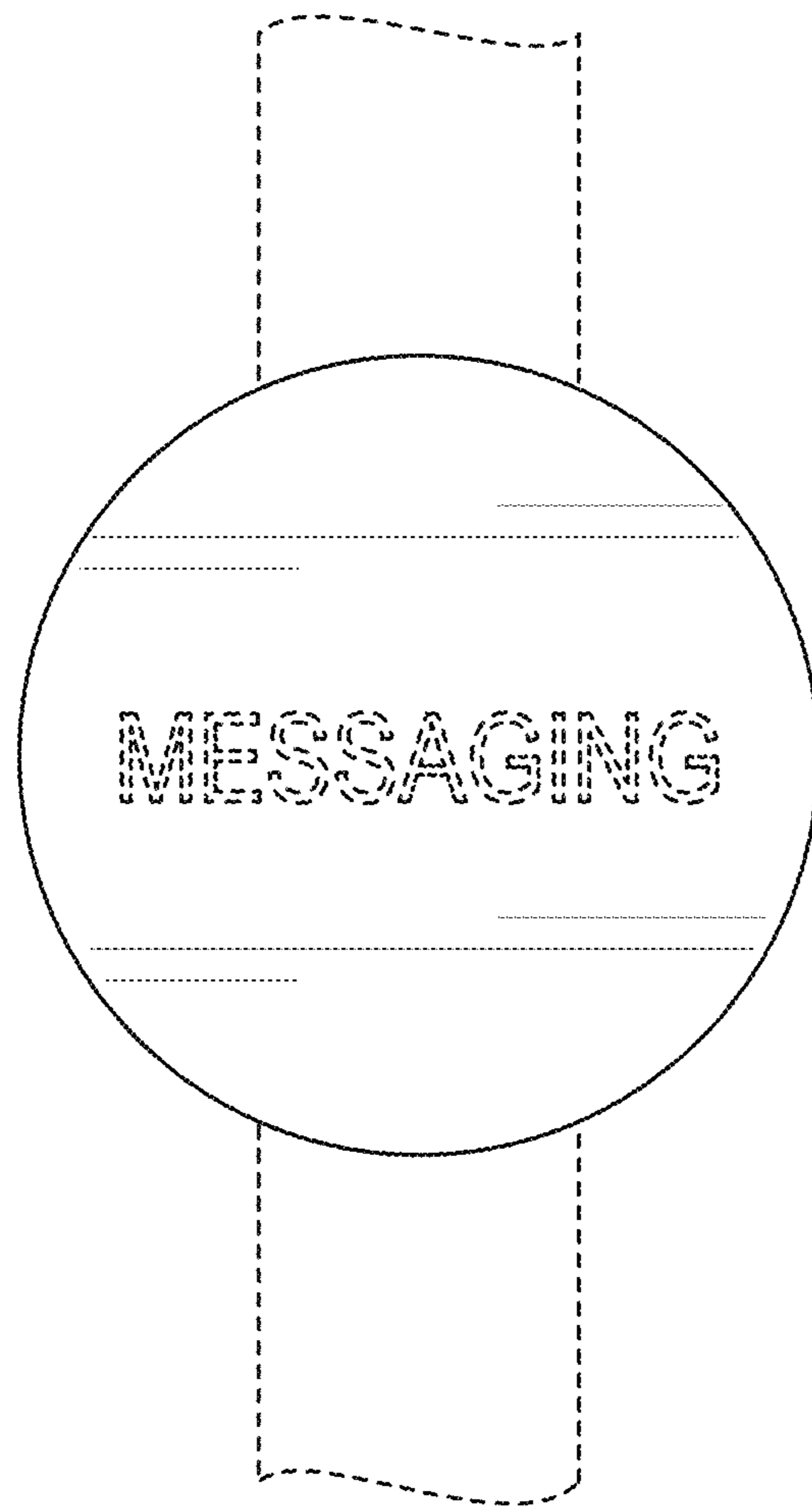


FIG. 1

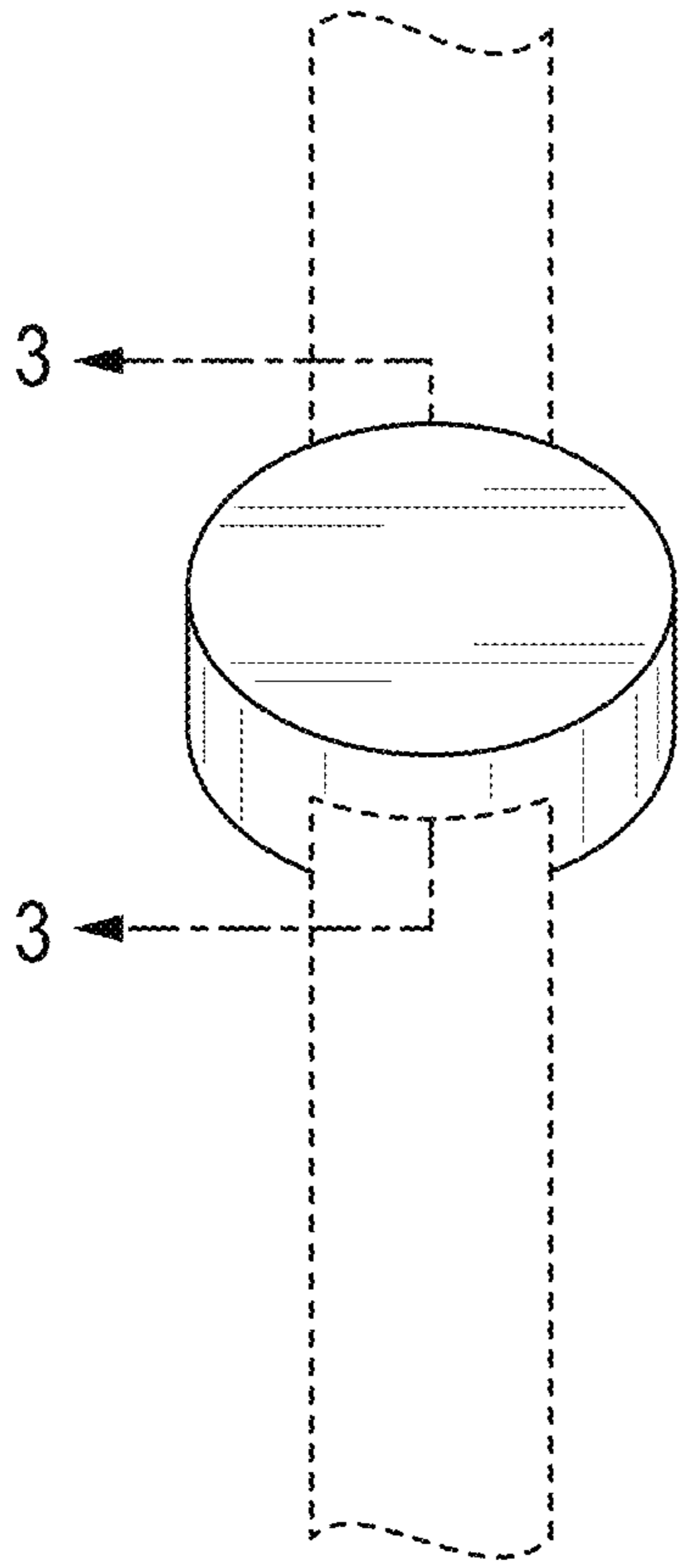


FIG. 2

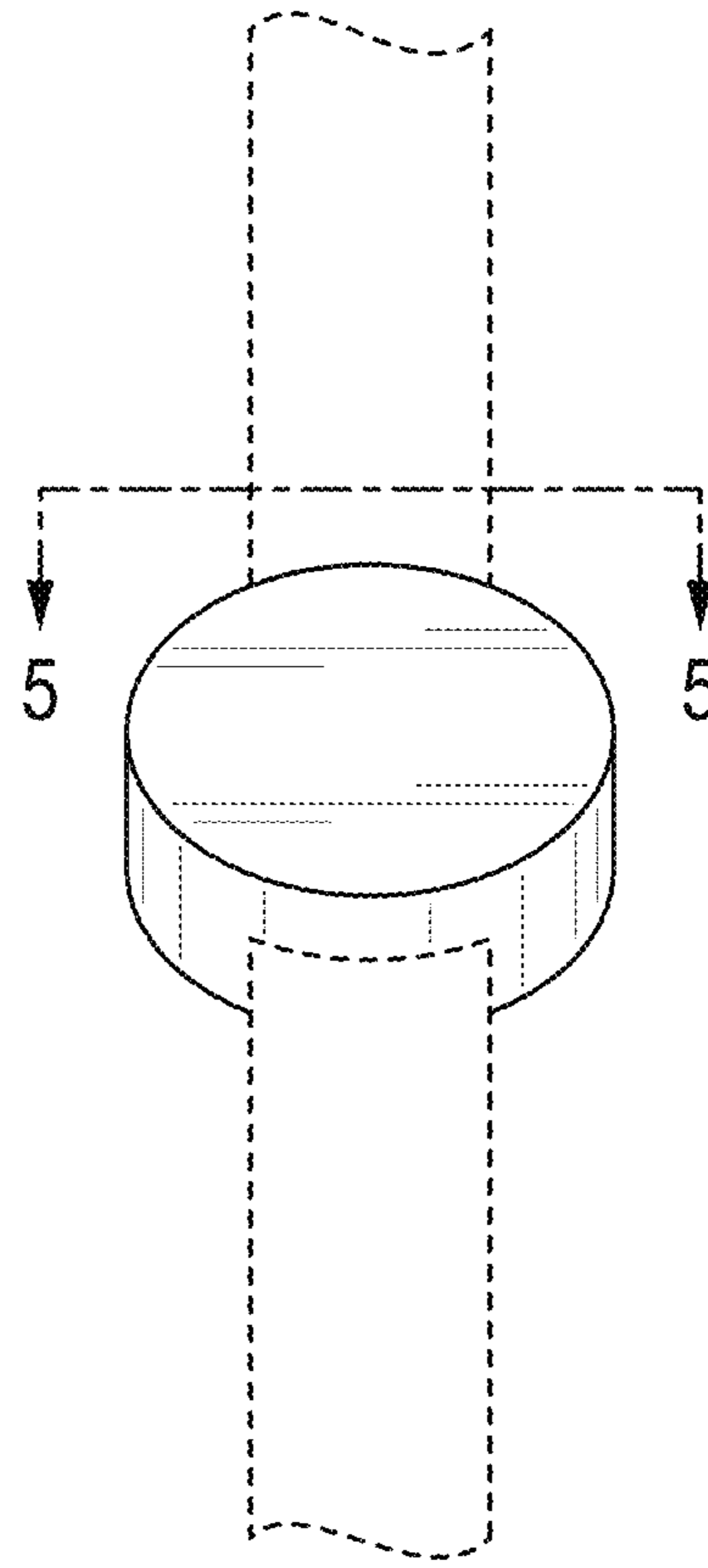


FIG. 4

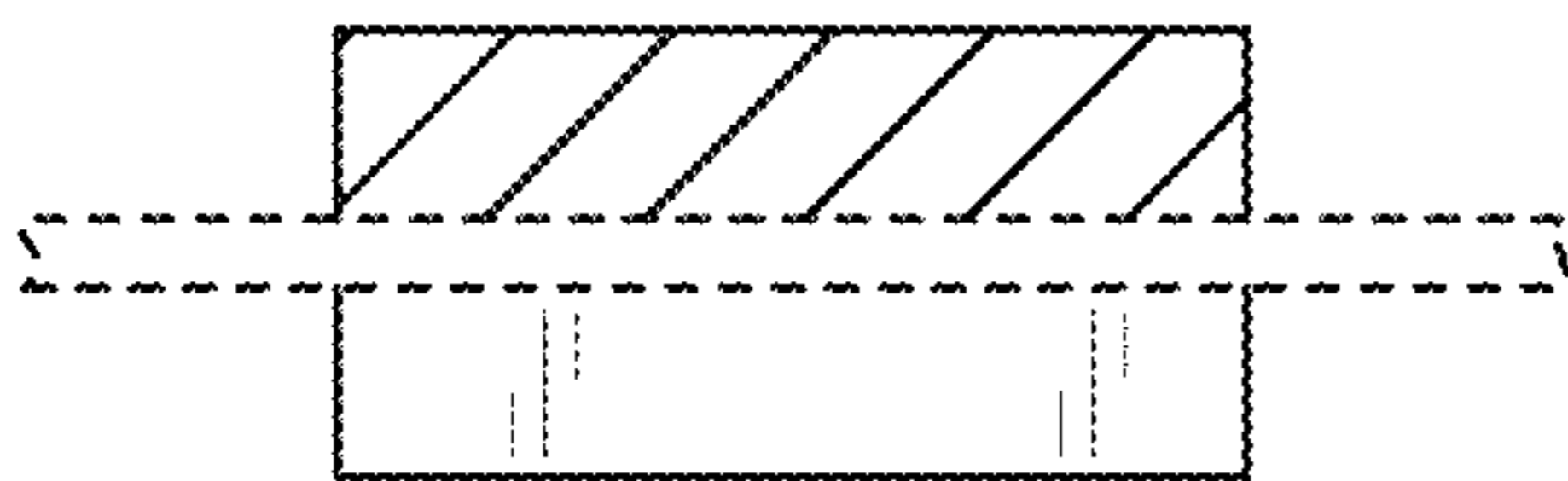


FIG. 3

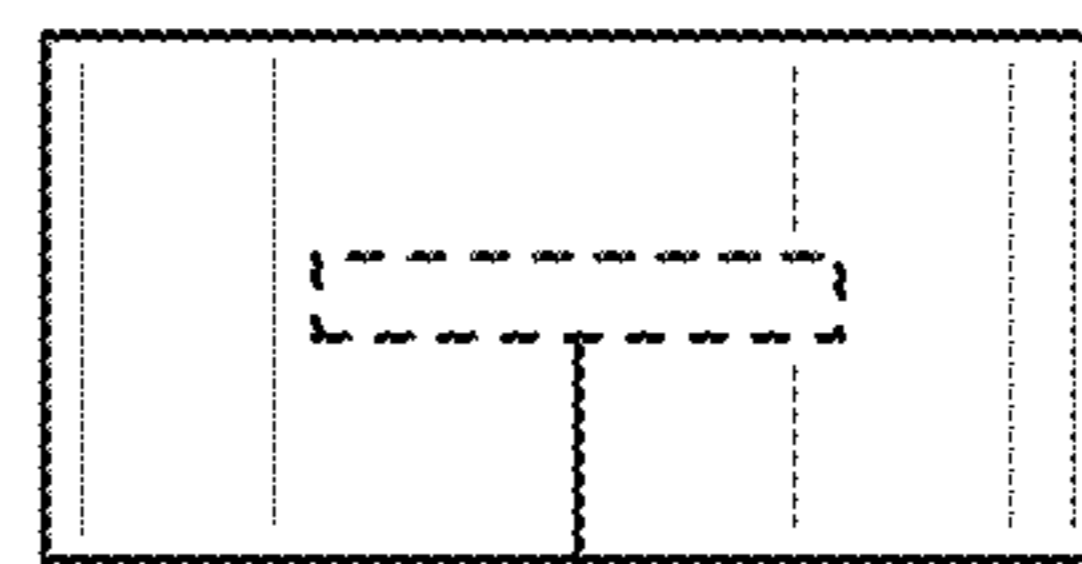


FIG. 5

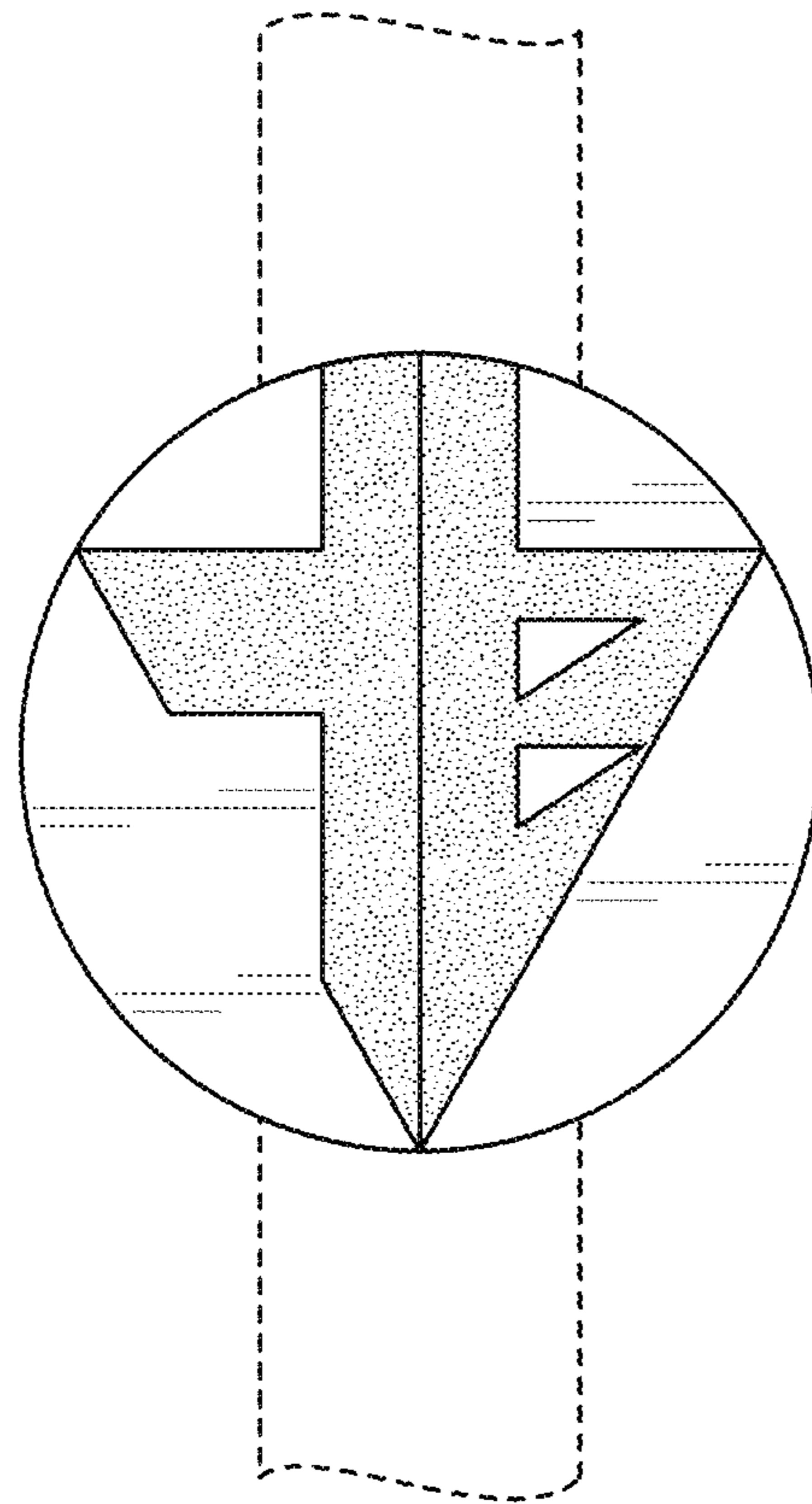


FIG. 6

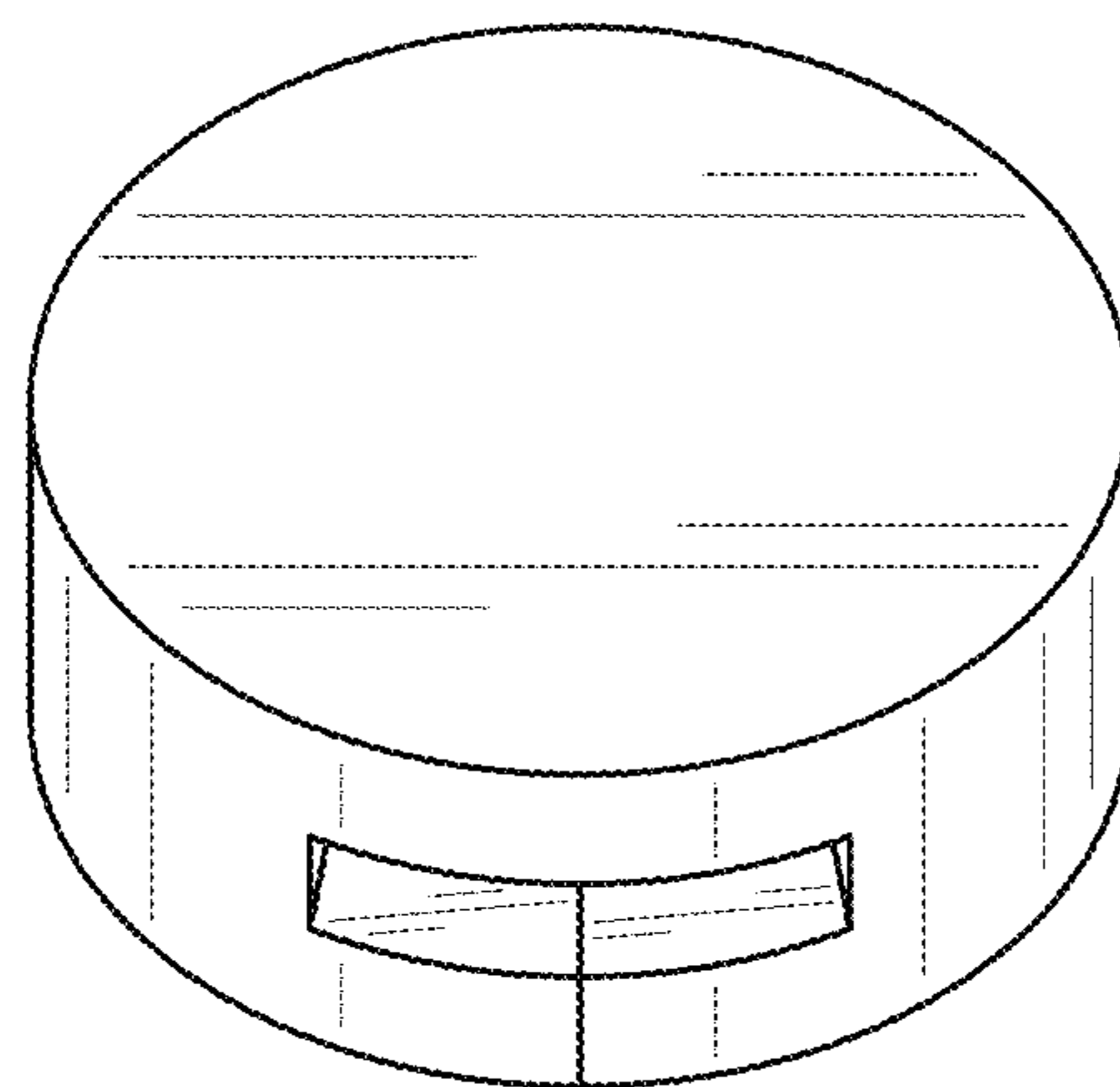


FIG. 7

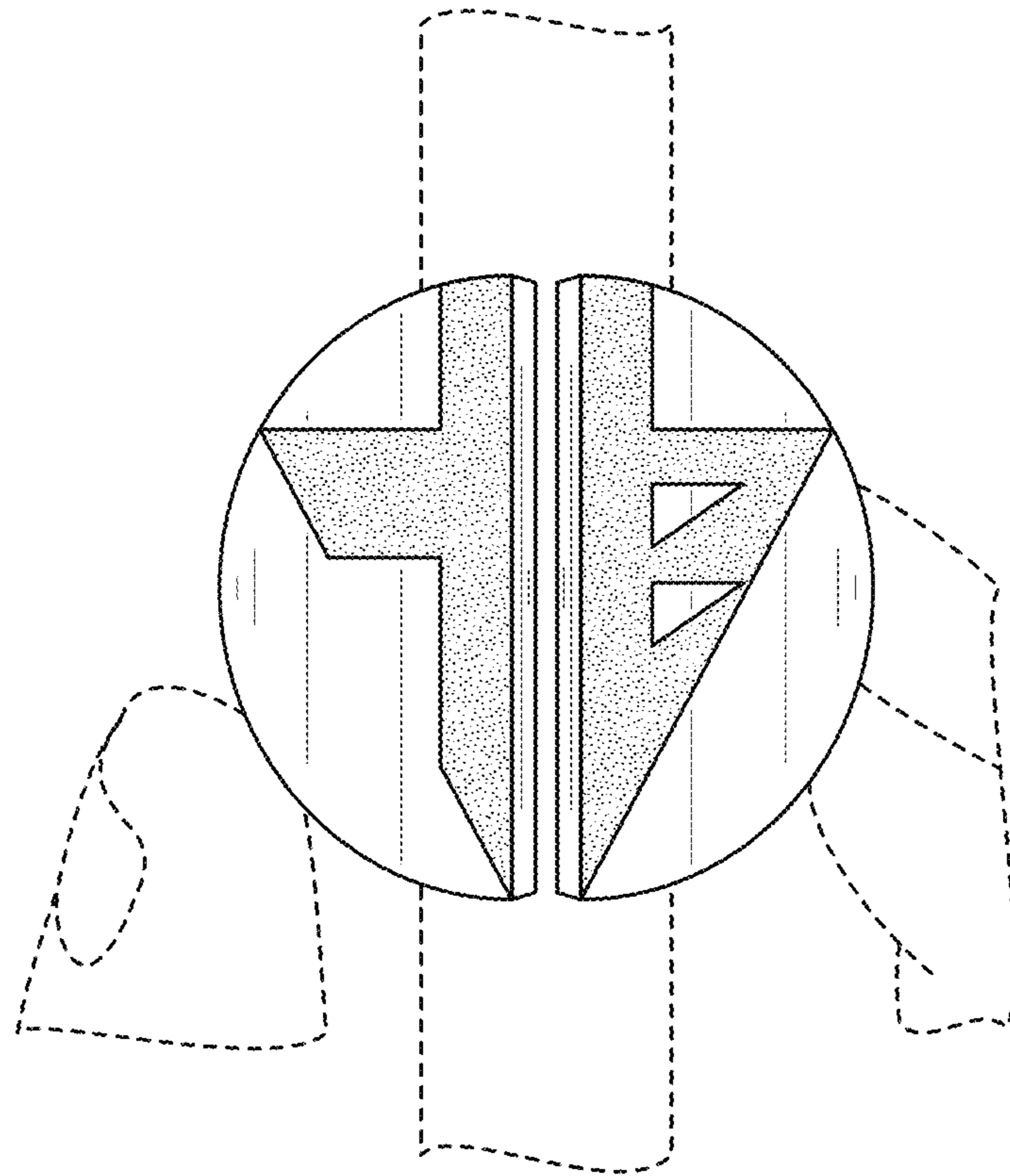


FIG. 8

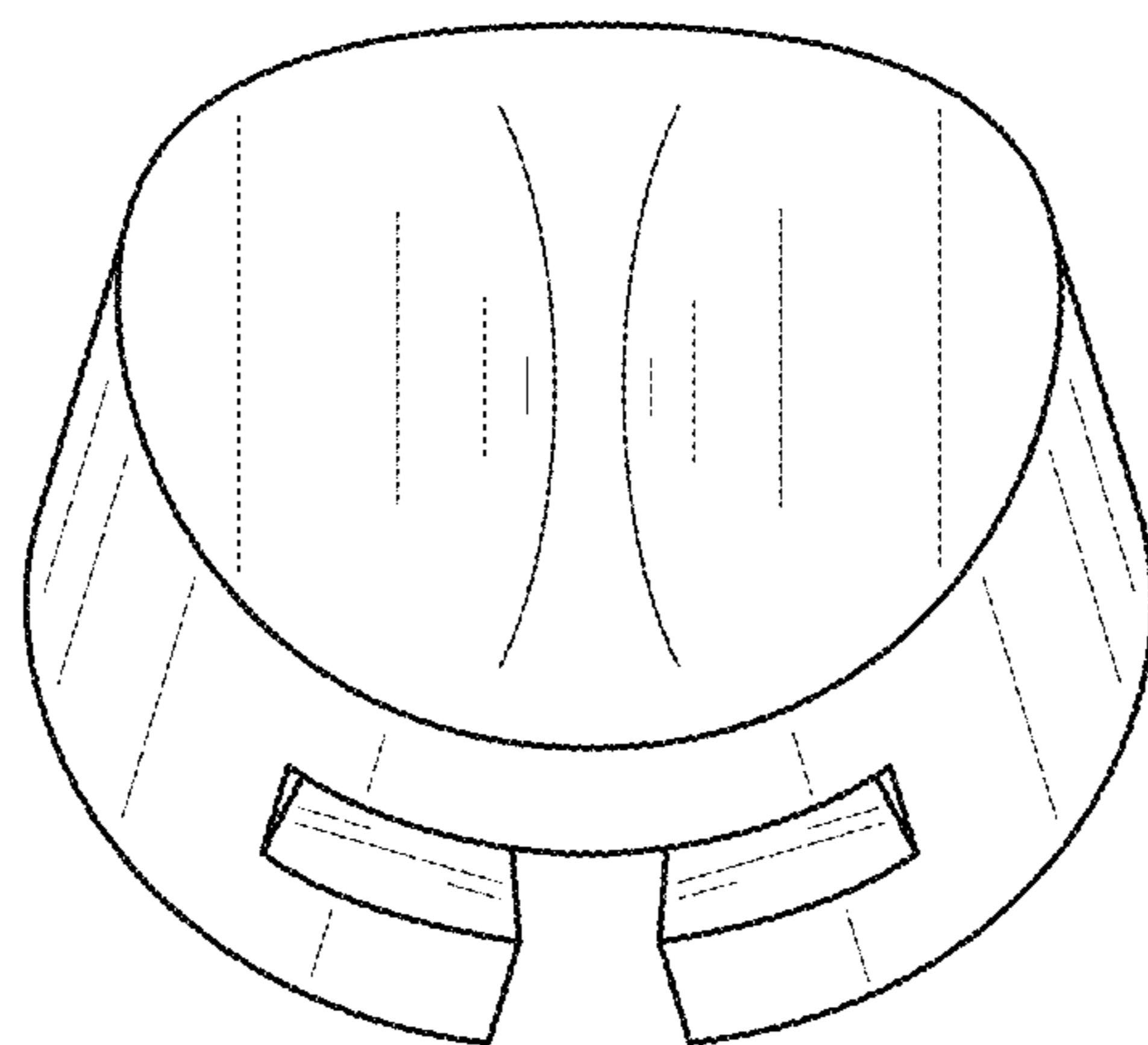


FIG. 9