



US00D843253S

(12) **United States Design Patent**
Arnold et al.

(10) **Patent No.:** **US D843,253 S**
(45) **Date of Patent:** **** Mar. 19, 2019**

- (54) **GAUGE STATUS INDICATOR**
- (71) Applicant: **Vega Grieshaber KG**, Wolfach (DE)
- (72) Inventors: **Thomas Arnold**, Alpirsbach (DE);
Fritz Lenk, Schiltach (DE)
- (73) Assignee: **Vega Grieshaber KG**, Wolfach (DE)
- (**) Term: **15 Years**
- (21) Appl. No.: **29/591,585**
- (22) Filed: **Jan. 20, 2017**

Related U.S. Application Data

- (62) Division of application No. 35/500,592, filed on Jun. 8, 2015 (U.S. filing date under 35 U.S.C. 384), and having an international filing date of Jun. 8, 2015.

(30) **Foreign Application Priority Data**

Dec. 16, 2014 (EM) 002 598 706

- (51) **LOC (11) Cl.** **10-04**

- (52) **U.S. Cl.**
USPC **D10/85**

- (58) **Field of Classification Search**
USPC D10/85, 83; D23/209, 259, 207;
D15/199

See application file for complete search history.

(56) **References Cited**

U.S. PATENT DOCUMENTS

- D313,832 S * 1/1991 Petrucci D23/209
- D317,040 S * 5/1991 Petrucci D23/209
- D347,048 S * 5/1994 Davis D23/259
- D371,857 S 7/1996 Gismondi
- D439,177 S * 3/2001 Fandrey D10/85
- D439,178 S * 3/2001 Fandrey D10/85
- D439,179 S * 3/2001 Fandrey D10/85
- D439,180 S * 3/2001 Fandrey D10/85

- D439,181 S * 3/2001 Fandrey D10/85
 - D441,672 S * 5/2001 Fandrey D10/85
 - D471,829 S * 3/2003 Dennis D10/85
 - D544,618 S 6/2007 Coushaine
 - D544,988 S 6/2007 Benensohn
- (Continued)

FOREIGN PATENT DOCUMENTS

- CN 302092192 9/2012
- CN 302651411 11/2013
- CN 302662117 11/2013

OTHER PUBLICATIONS

Taiwan Intellectual Property Office, "English-language translation of search report and allowance decision" issued in Taiwan Design Patent Application No. 104303148D01, dated Apr. 12, 2016. Document of 2 pages.

(Continued)

Primary Examiner — George D. Kirschbaum
(74) *Attorney, Agent, or Firm* — Akerman LLP; Peter A. Chiabotti

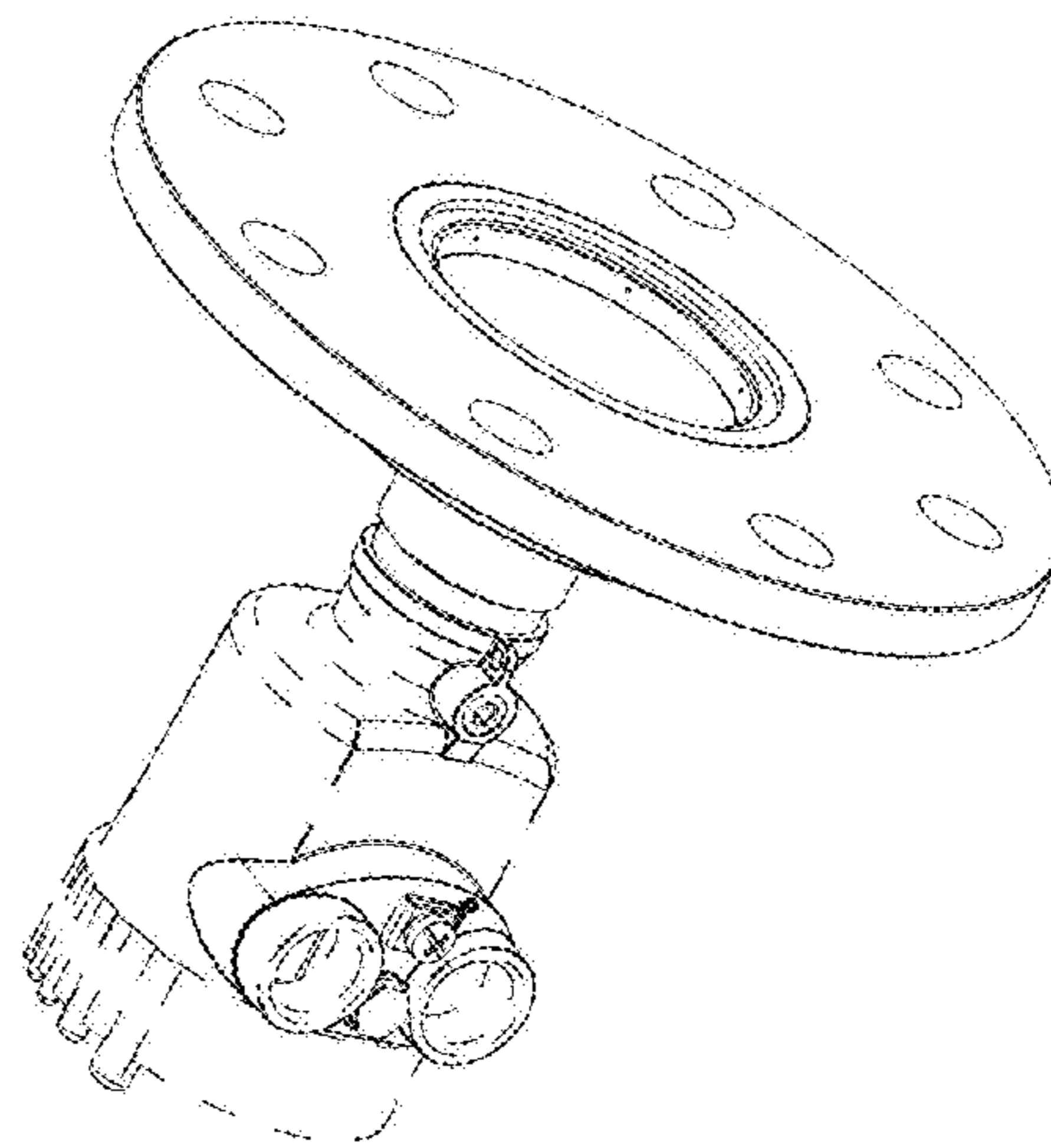
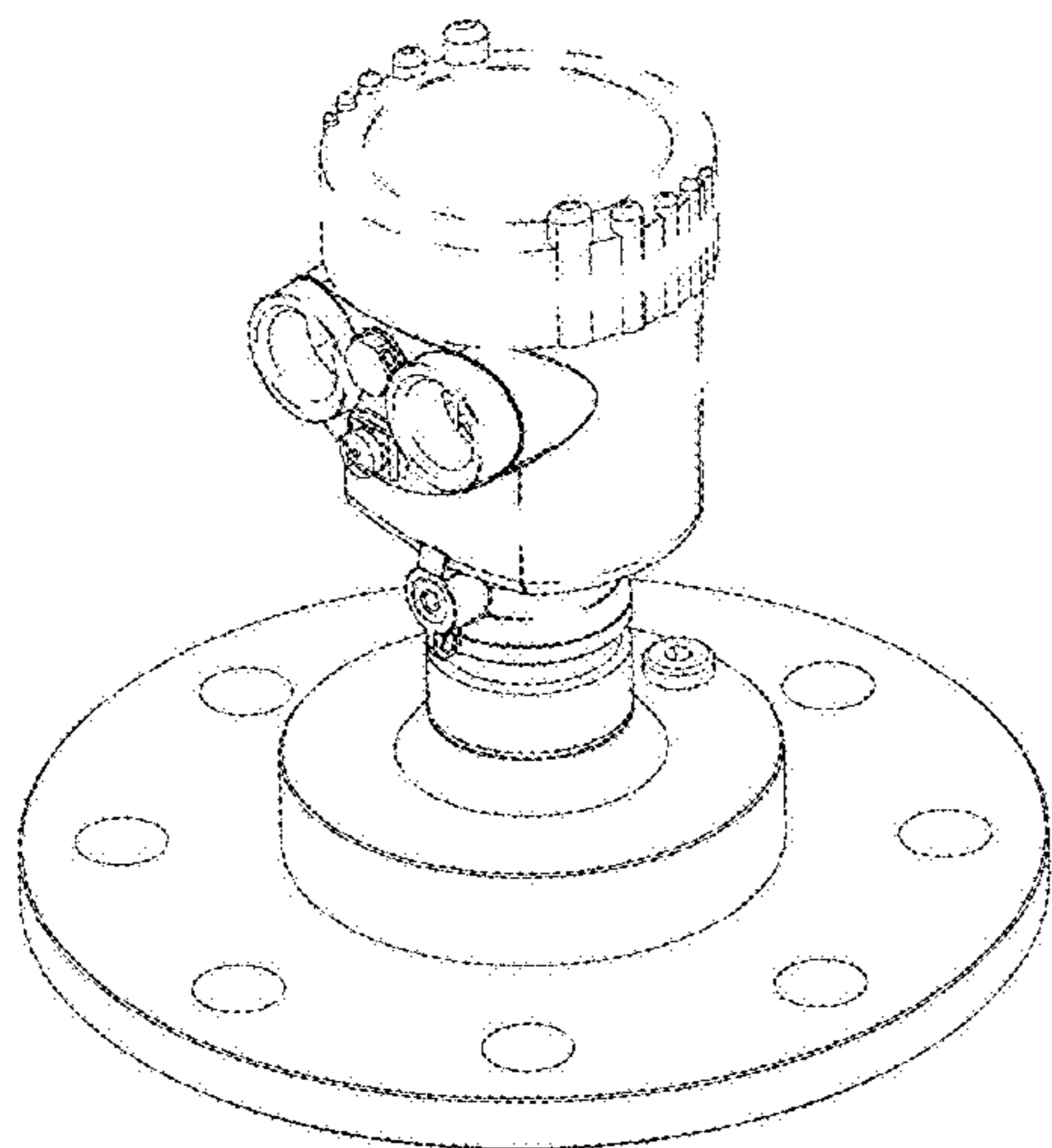
(57) **CLAIM**

The ornamental design for a gauge status indicator, as shown and described.

DESCRIPTION

FIG. 1 is a bottom view of a gauge status indicator;
FIG. 2 is a front view thereof;
FIG. 3 is a top plan view thereof;
FIG. 4 is a right view thereof;
FIG. 5 is back view thereof;
FIG. 6 is perspective view thereof; and,
FIG. 7 is alternative perspective view thereof.
The broken lines depict unclaimed environmental subject matter.

1 Claim, 7 Drawing Sheets



(56)

References Cited

U.S. PATENT DOCUMENTS

D557,299 S * 12/2007 Marini D15/199
D576,338 S 9/2008 Levine
D585,580 S 1/2009 Riffel et al.
D610,649 S * 2/2010 Kulikov D23/209
D630,957 S * 1/2011 Hsieh D10/83
7,967,468 B2 6/2011 Levine
D642,722 S 8/2011 Oberpriller
D717,484 S 11/2014 Rozot et al.
D728,735 S * 5/2015 Zoller D23/207

OTHER PUBLICATIONS

Taiwan Intellectual Property Office, "English-language translation of search report and allowance decision" issued in Taiwan Design Patent Application No. 104303148, dated Mar. 23, 2016. Document of 2 pages.

* cited by examiner

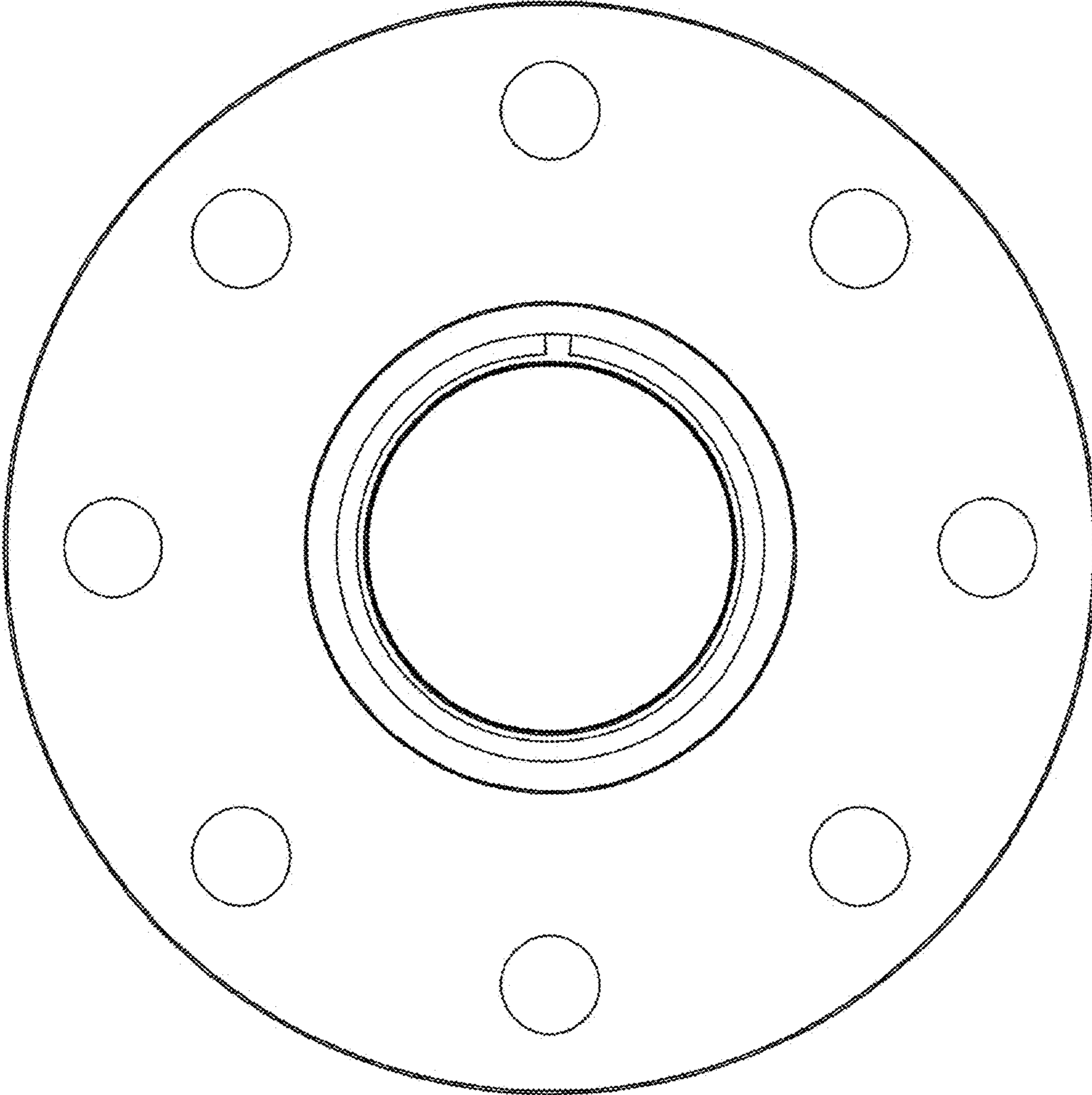


Fig. 1

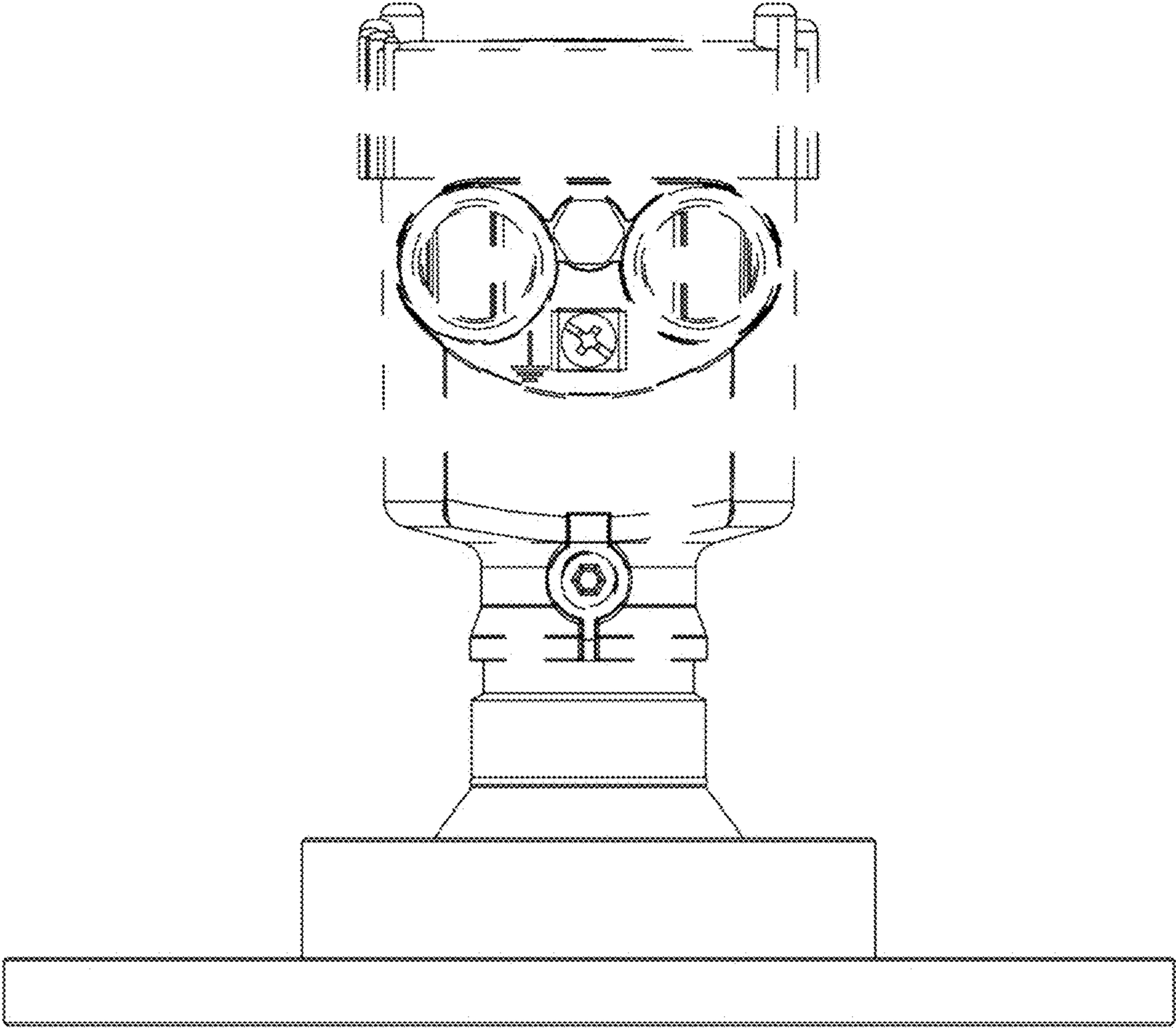


Fig. 2

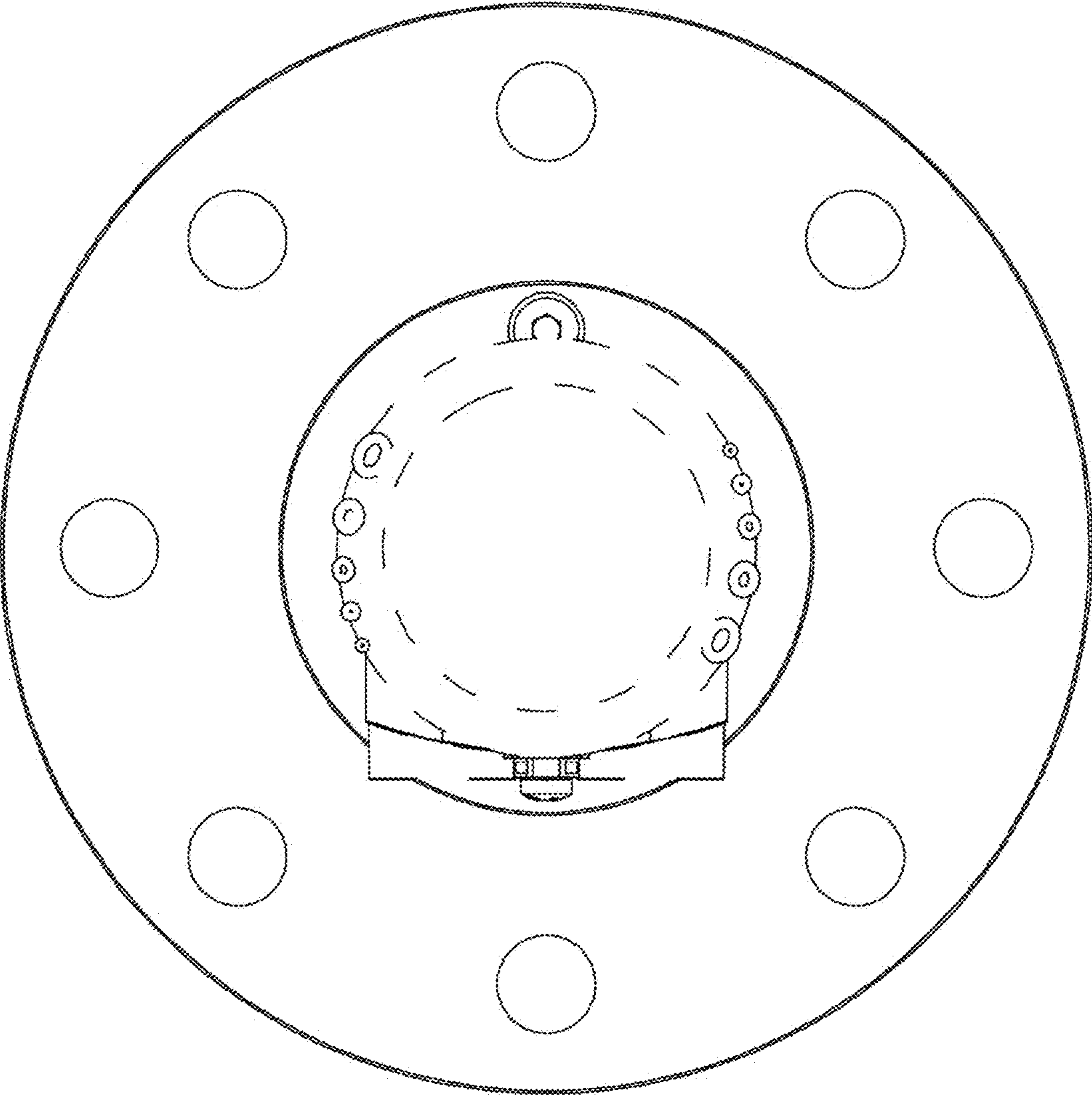


Fig. 3

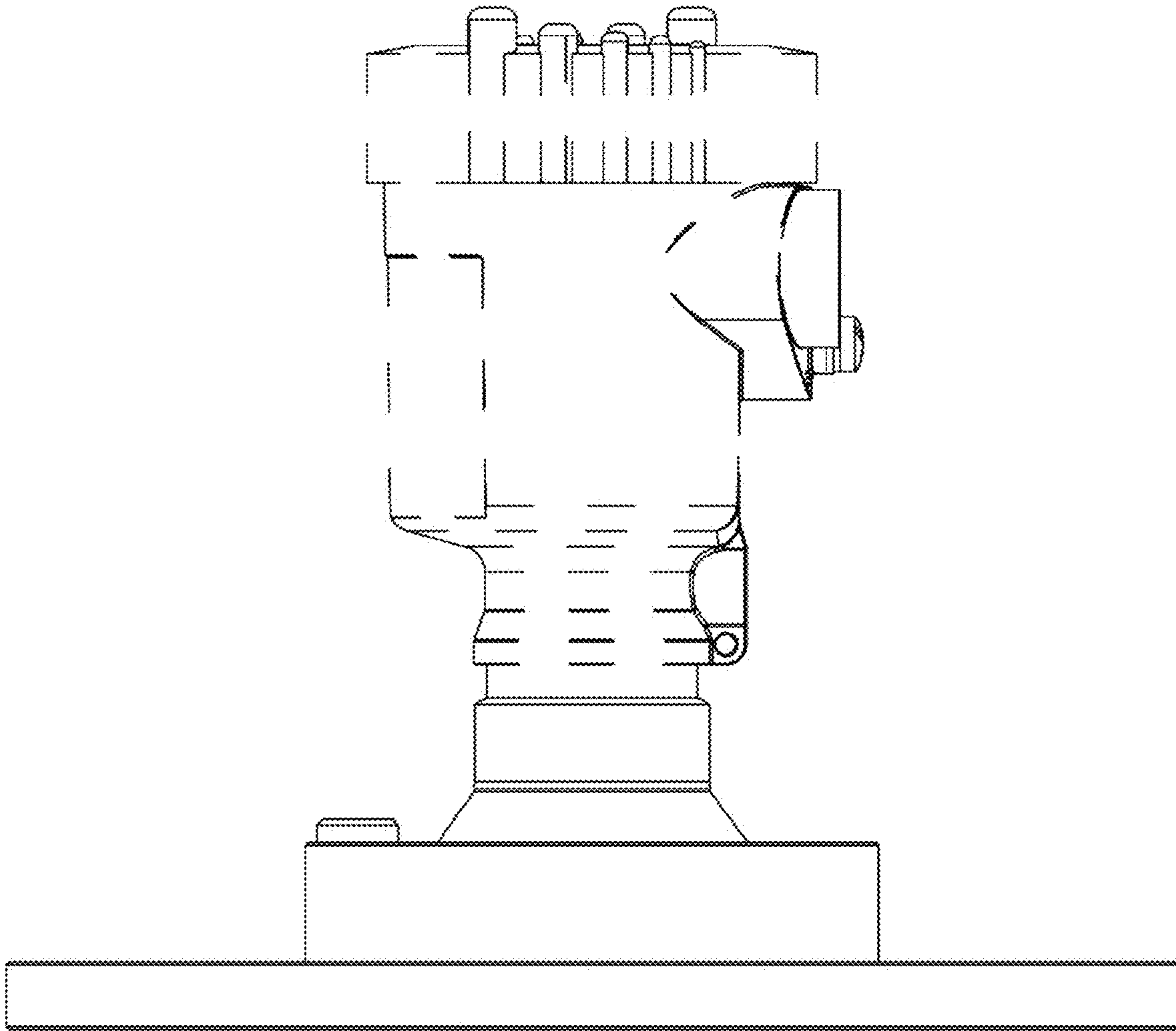


Fig. 4

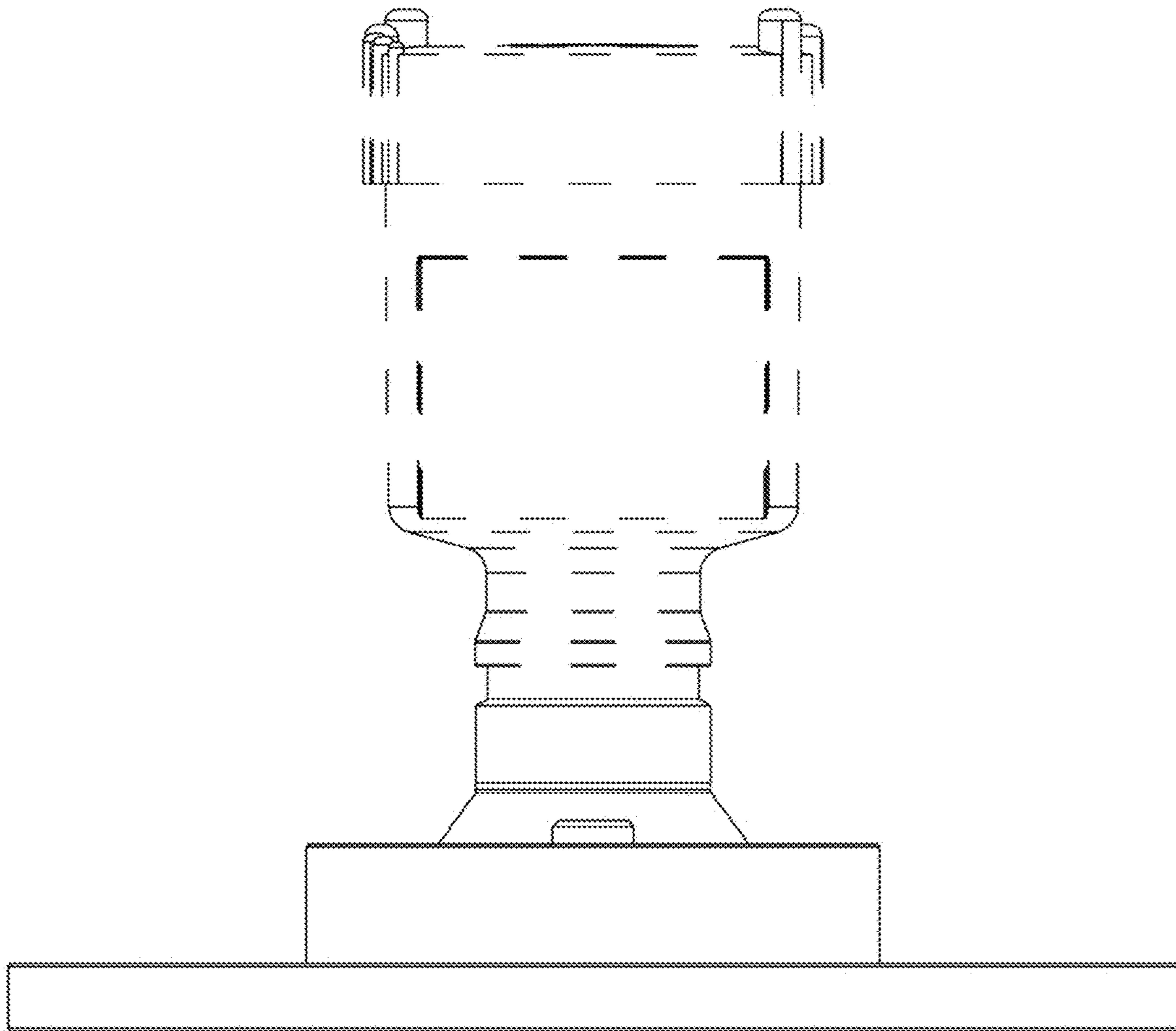


Fig. 5

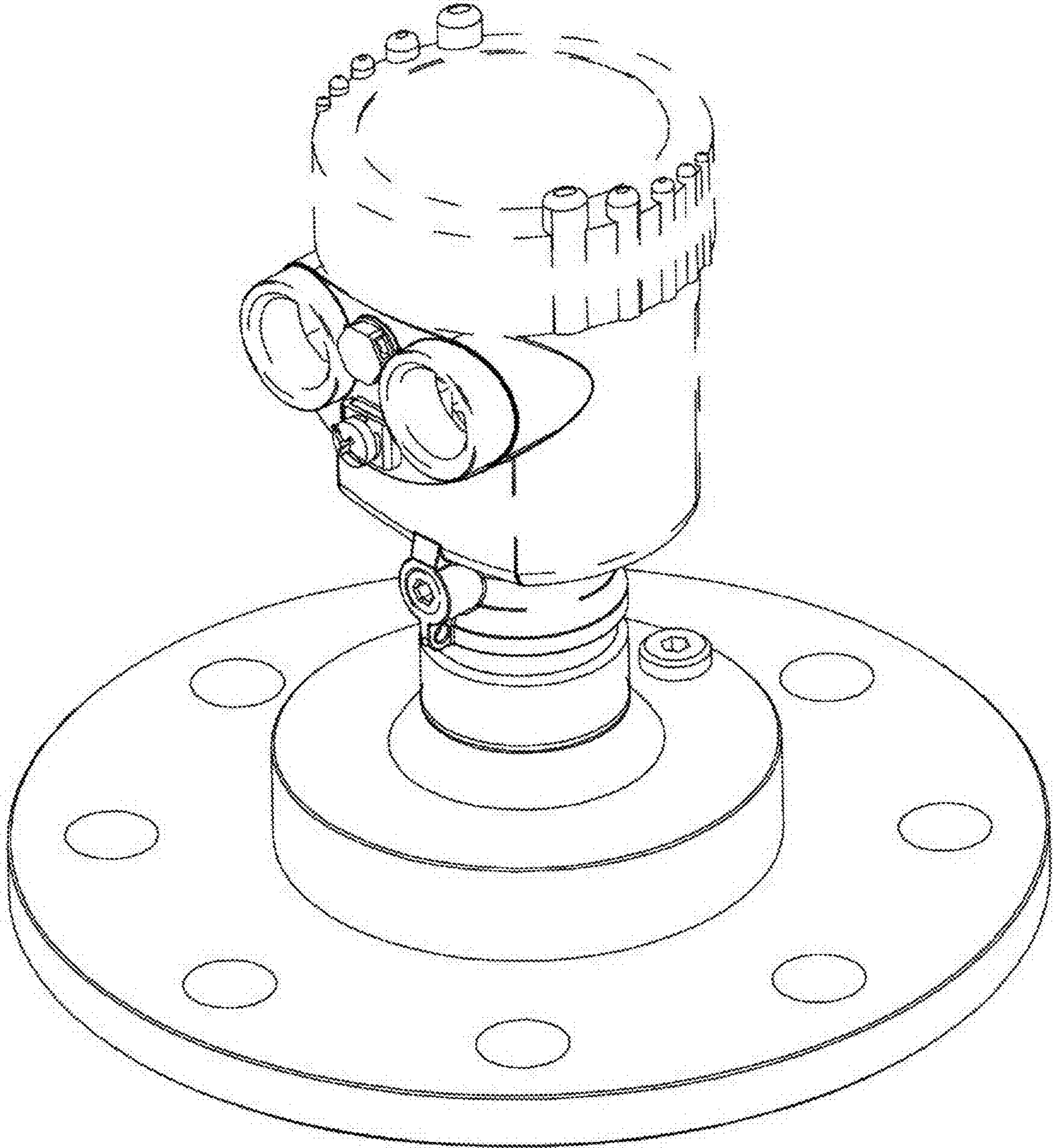


Fig. 6

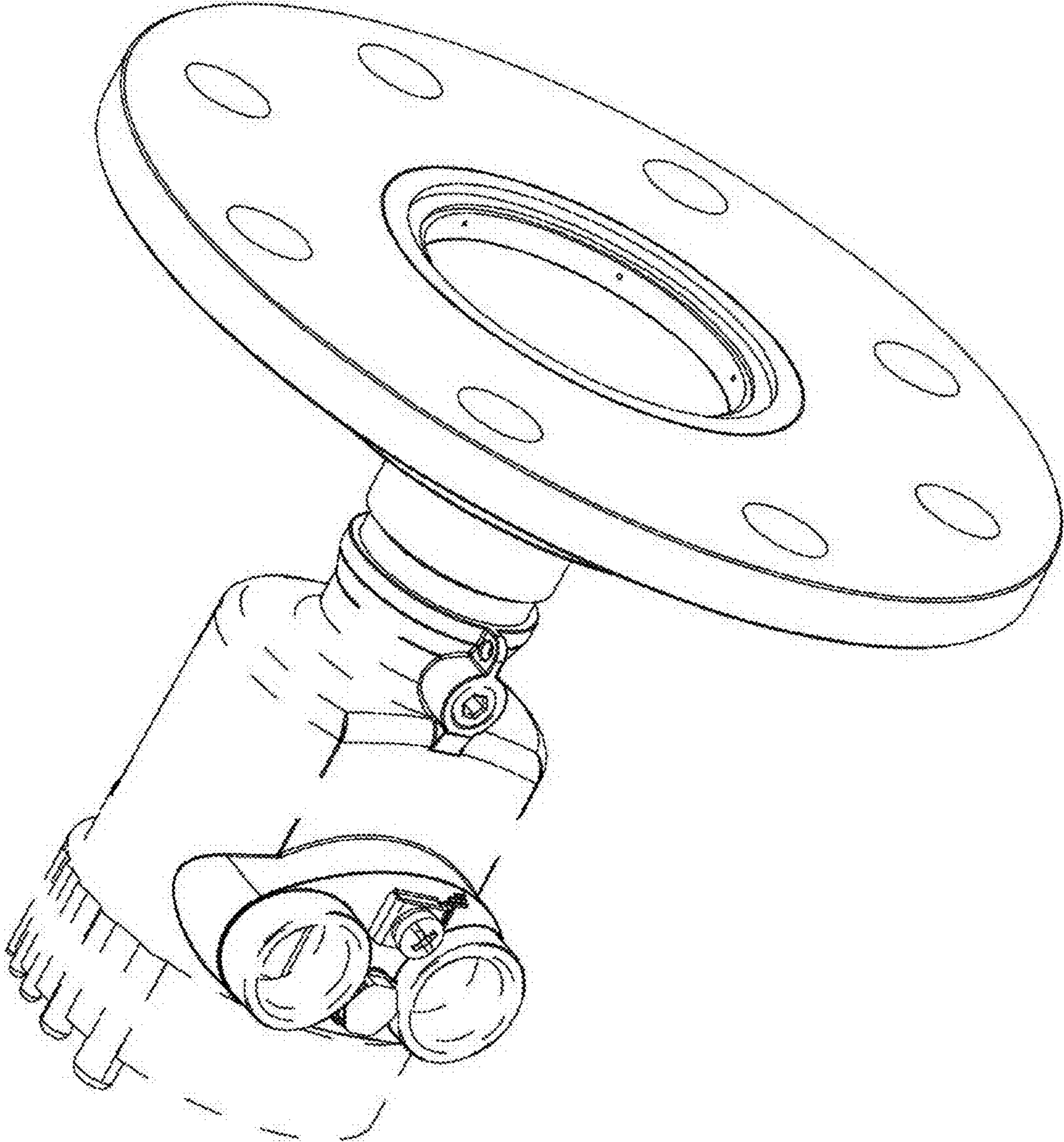


Fig. 7