



US00D843251S

(12) **United States Design Patent** (10) **Patent No.:** **US D843,251 S**
Barton et al. (45) **Date of Patent:** **** Mar. 19, 2019**

(54) **DIAGNOSTIC ANALYZER**

(56) **References Cited**

(71) Applicant: **Abbott Laboratories**, Abbott Park, IL (US)

U.S. PATENT DOCUMENTS

(72) Inventors: **Christina A Barton**, Irving, TX (US); **Daniel Roger Nett**, Sun Prairie, WI (US); **Rachel Elizabeth Wallace**, Madison, WI (US); **Ami Marie Verhalen**, Sun Prairie, WI (US); **Christopher Alan Harris**, Madison, WI (US)

D347,396 S 5/1994 Ohnuma et al.
D755,405 S 5/2016 Zhu
(Continued)

OTHER PUBLICATIONS

Japanese Patent Office, "Notice of Reasons for Rejection," issued in connection with Japanese Patent Application No. 2016-22305, dated Feb. 28, 2017, 3 pages.

(Continued)

(73) Assignee: **ABBOTT LABORATORIES**, Abbott Park, IL (US)

Primary Examiner — Antoine D Davis

(74) *Attorney, Agent, or Firm* — McAndrews, Held & Malloy, Ltd.

(**) Term: **15 Years**

(57) **CLAIM**

The ornamental design for a diagnostic analyzer, as shown and described.

(21) Appl. No.: **29/622,463**

DESCRIPTION

(22) Filed: **Oct. 17, 2017**

Related U.S. Application Data

(63) Continuation of application No. 29/549,332, filed on Dec. 21, 2015, now Pat. No. Des. 799,999, which is (Continued)

(51) **LOC (11) Cl.** **10-04**

(52) **U.S. Cl.**
USPC **D10/81; D24/216**

(58) **Field of Classification Search**
USPC D24/216-219, 231, 232, 233, 107, 169, D24/186; D10/81

CPC G01N 21/00; G01N 21/01; G01N 2021/0106; G01N 2201/022; G01N 2201/0221; G01N 2201/0222; G01N

(Continued)

The file of this patent contains at least one drawing/photograph executed in color. Copies of this patent with color drawings(s)/photograph(s) will be provided by the Office upon request and payment of the necessary fee.

FIG. 1 is a front left perspective view of a first embodiment of a diagnostic analyzer showing our new design;

FIG. 2 is a front elevation view thereof;

FIG. 3 is a front left perspective view of a second embodiment of a diagnostic analyzer showing our new design;

FIG. 4 is a front elevation view thereof;

FIG. 5 is a rear elevation view thereof;

FIG. 6 is a right side elevation view thereof;

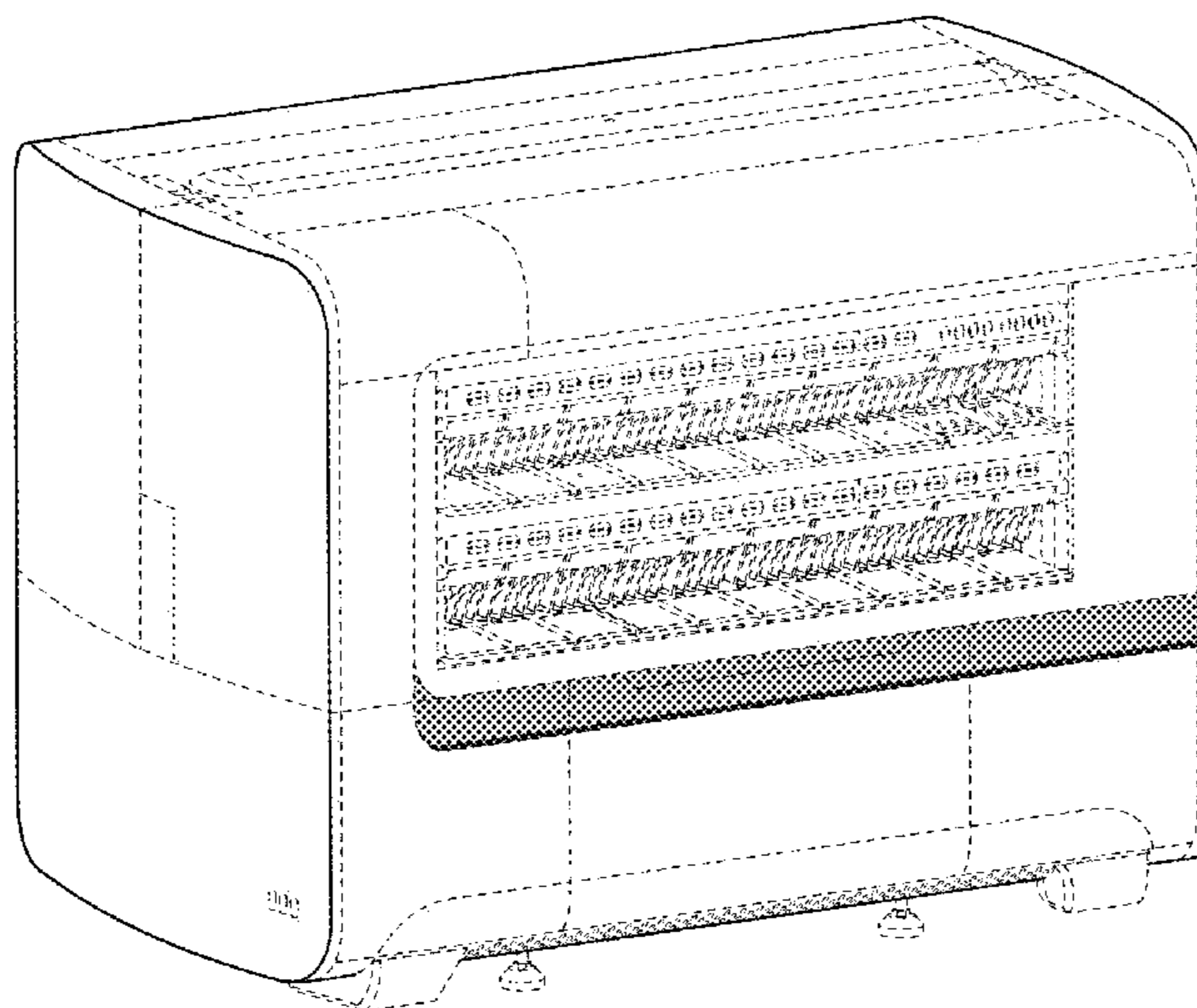
FIG. 7 is a left side elevation view thereof;

FIG. 8 is a top plan view thereof; and,

FIG. 9 is a bottom plan view thereof.

The portions of the diagnostic analyzer shown in broken lines form no part of the claimed design.

1 Claim, 7 Drawing Sheets
(4 of 7 Drawing Sheet(s) Filed in Color)



Related U.S. Application Data

a continuation-in-part of application No. 29/531,576, filed on Jun. 26, 2015, now Pat. No. Des. 777,048.

(58) **Field of Classification Search**

CPC 2201/0224; G01N 2201/0225; G01N 2201/0227; G01N 2201/0228; G01N 2201/024; G01N 2201/0245; G01N 2021/0112-21/958

See application file for complete search history.

(56) **References Cited**

U.S. PATENT DOCUMENTS

D773,071 S	11/2016	Hakoda	
D777,048 S *	1/2017	Barton	D10/81
D799,999 S *	10/2017	Barton	D10/81
D811,251 S *	2/2018	Barton	D10/81

OTHER PUBLICATIONS

Japanese Patent Office, "Notice of Reasons for Rejection," issued in connection with Japanese Patent Application No. 2016-22306, dated Feb. 28, 2017, 3 pages.

Japanese Patent Office, "Notice of Reasons for Rejection," issued in connection with Japanese Patent Application No. 2016-22307, dated Feb. 28, 2017, 3 pages.

Intellectual Property Office of Japan, "Directive," issued in connection with Japanese Design Application No. 2015-28870, dated Oct. 25, 2016, 3 pages.

State Intellectual Property Office of China, "First Office Action," issued in connection with Chinese Patent Application No. 201530555266.8, dated Oct. 9, 2016, 3 pages.

State Intellectual Property Office of China, "Notification of First Correction," issued in connection with Chinese Patent Application No. 201530555266.8, dated Apr. 22, 2016, 3 pages.

Intellectual Property Office of Japan, "Notice for Reasons for Rejection," issued in connection with Japanese Application No. 2015-28870, dated Jun. 14, 2016, 5 pages.

Office for Harmonization in the Internal Market, "Notification of the Registration of the Community Designs," issued in connection with European Community Design Nos. 002930230-0001 through 002930230-0029, dated Mar. 17, 2016, 6 pages.

United States Patent and Trademark Office, "Restriction and/or Election Requirement," issued in connection with U.S. Appl. No. 29/531,576, dated Jul. 6, 2016, 12 pages.

United States Patent and Trademark Office, "Notice of Allowance," issued in connection with U.S. Appl. No. 29/531,576, dated Sep. 8, 2016, 13 pages.

* cited by examiner

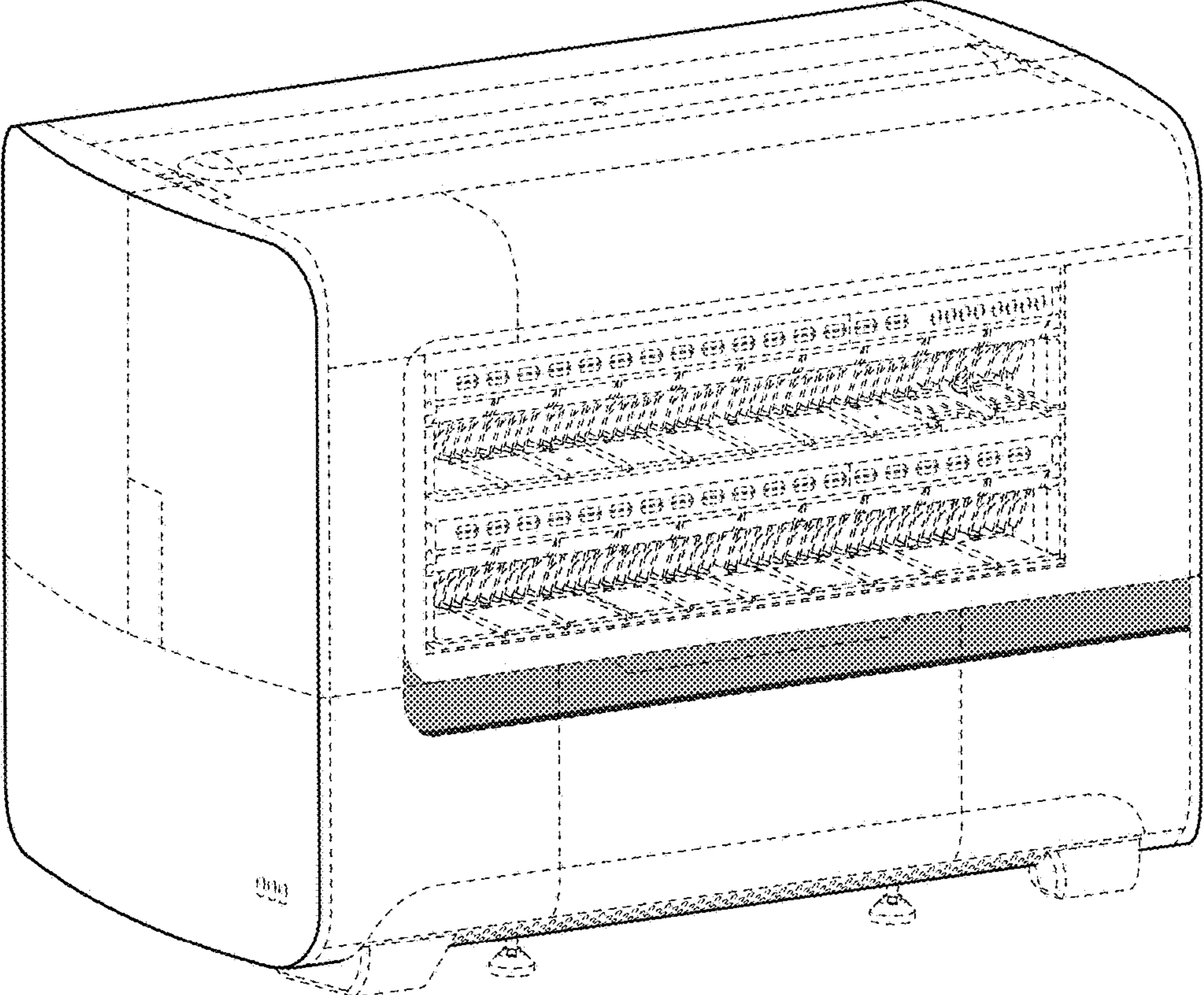


FIG. 1

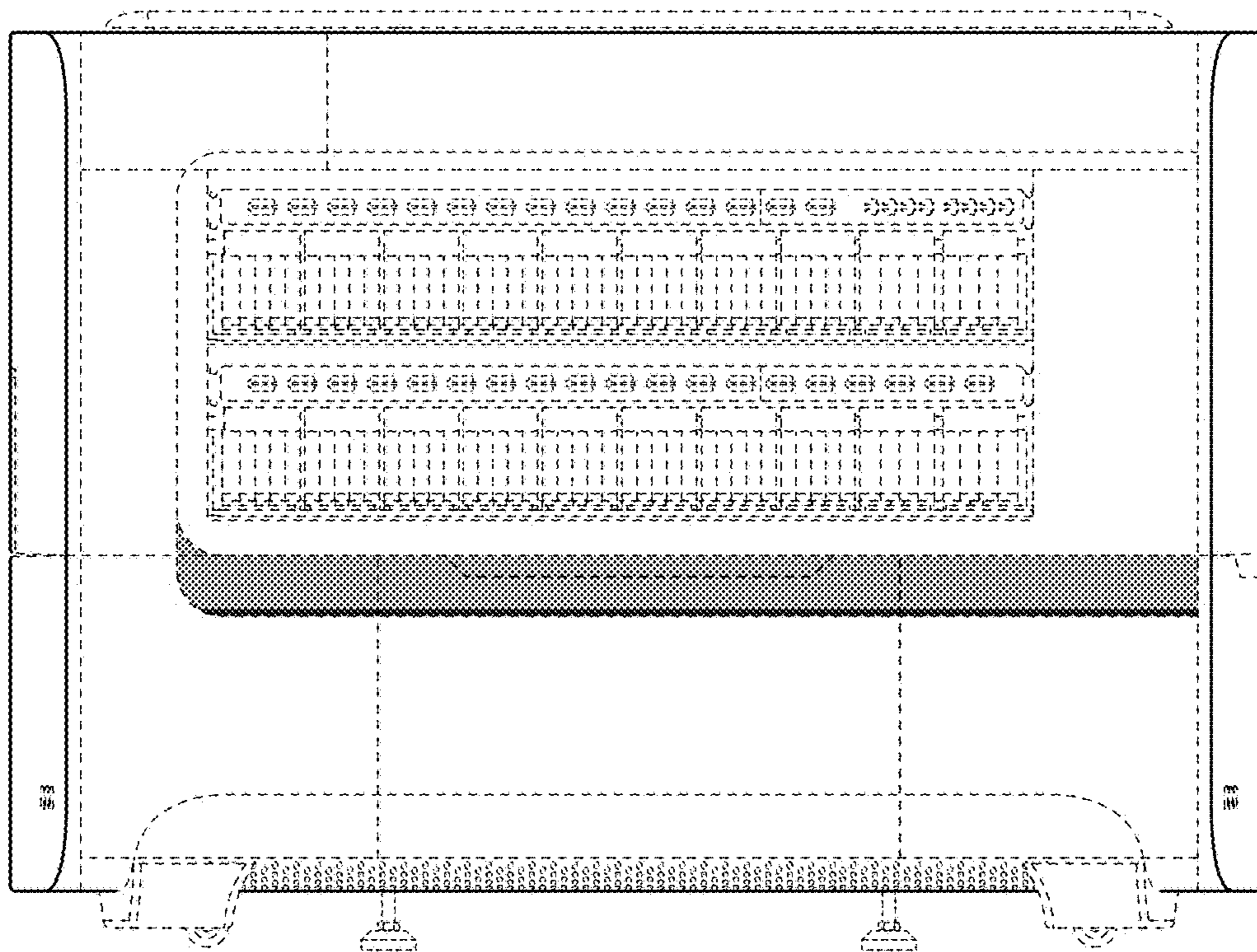


FIG. 2

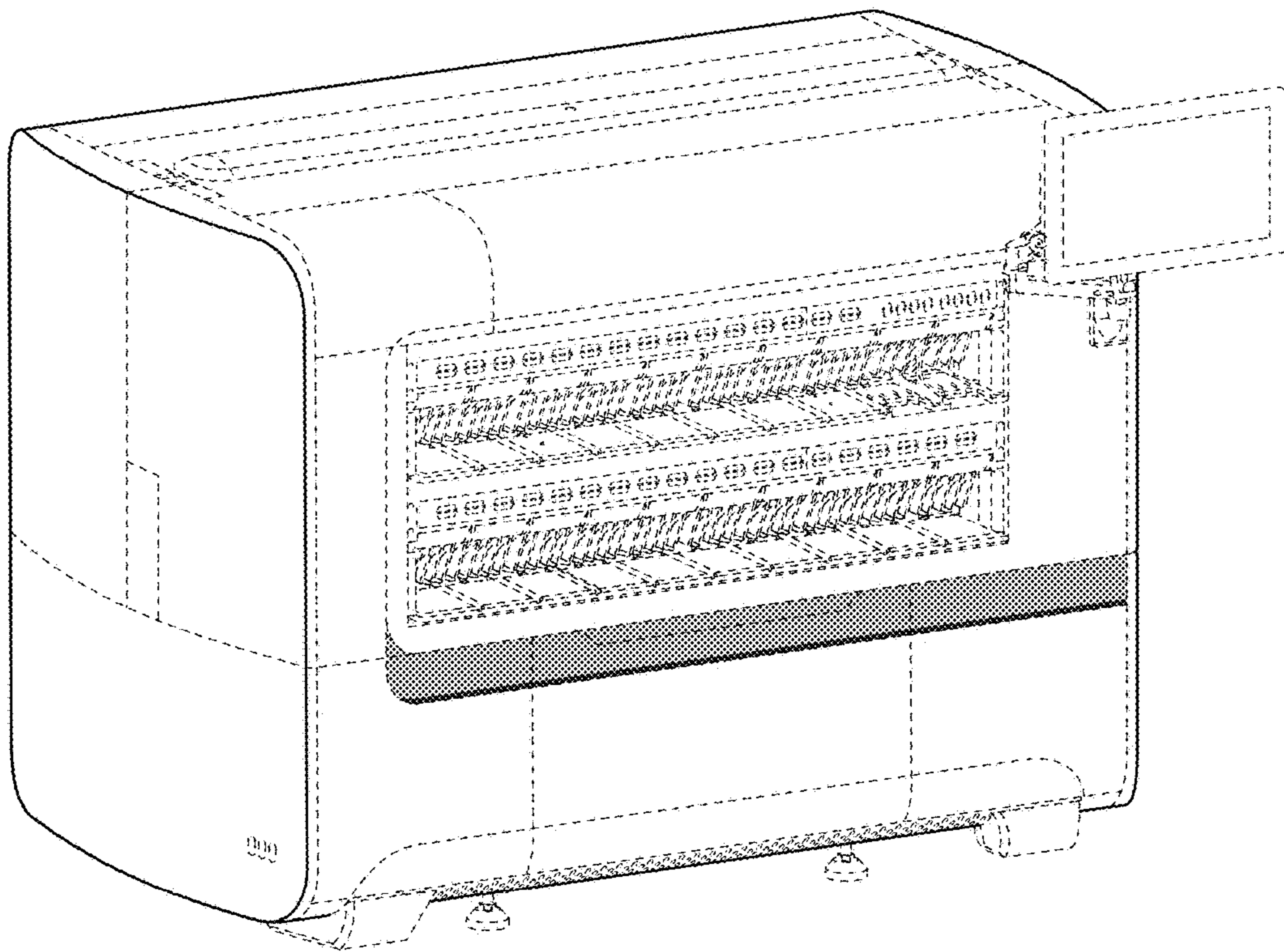


FIG. 3

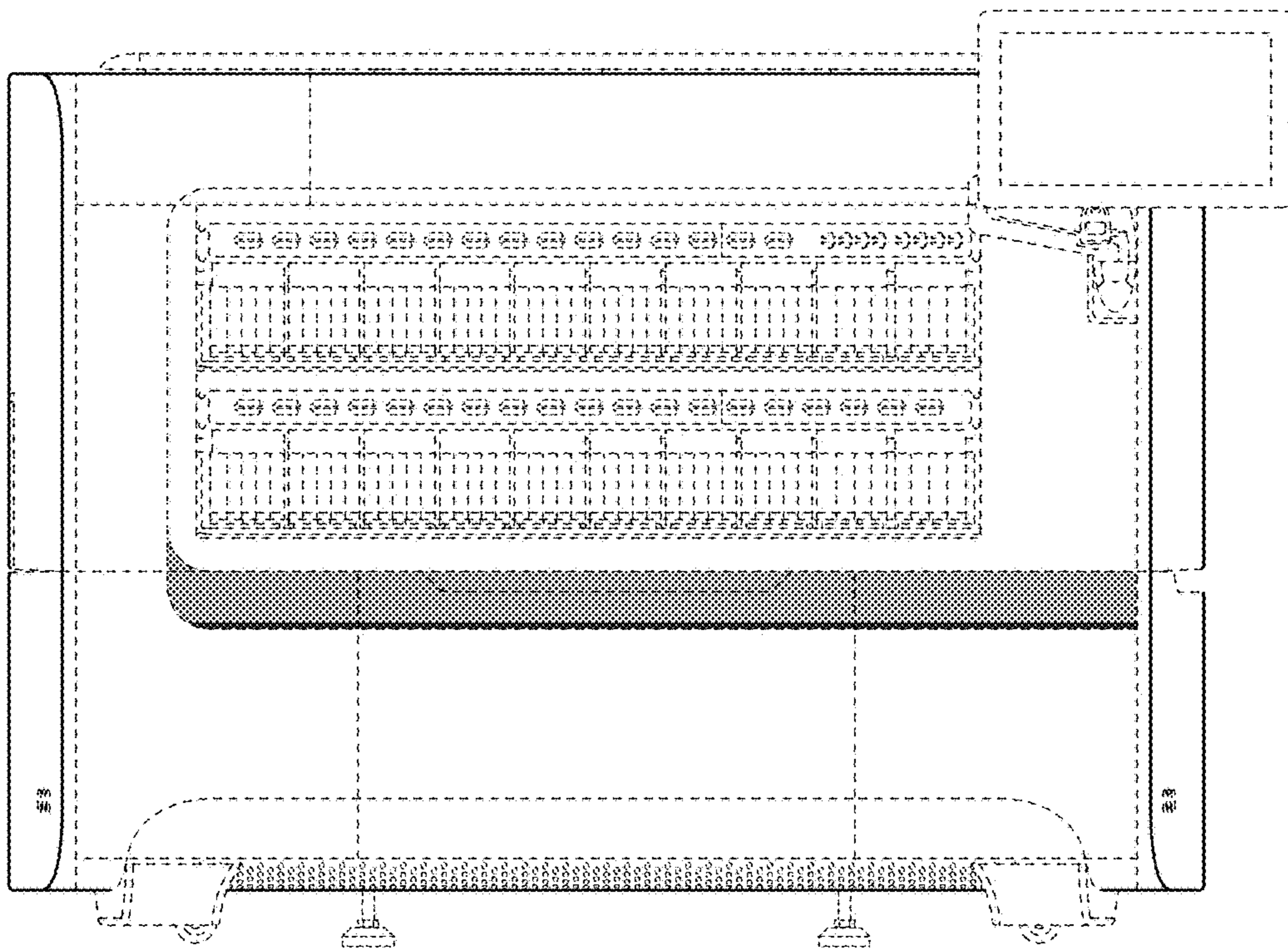


FIG. 4

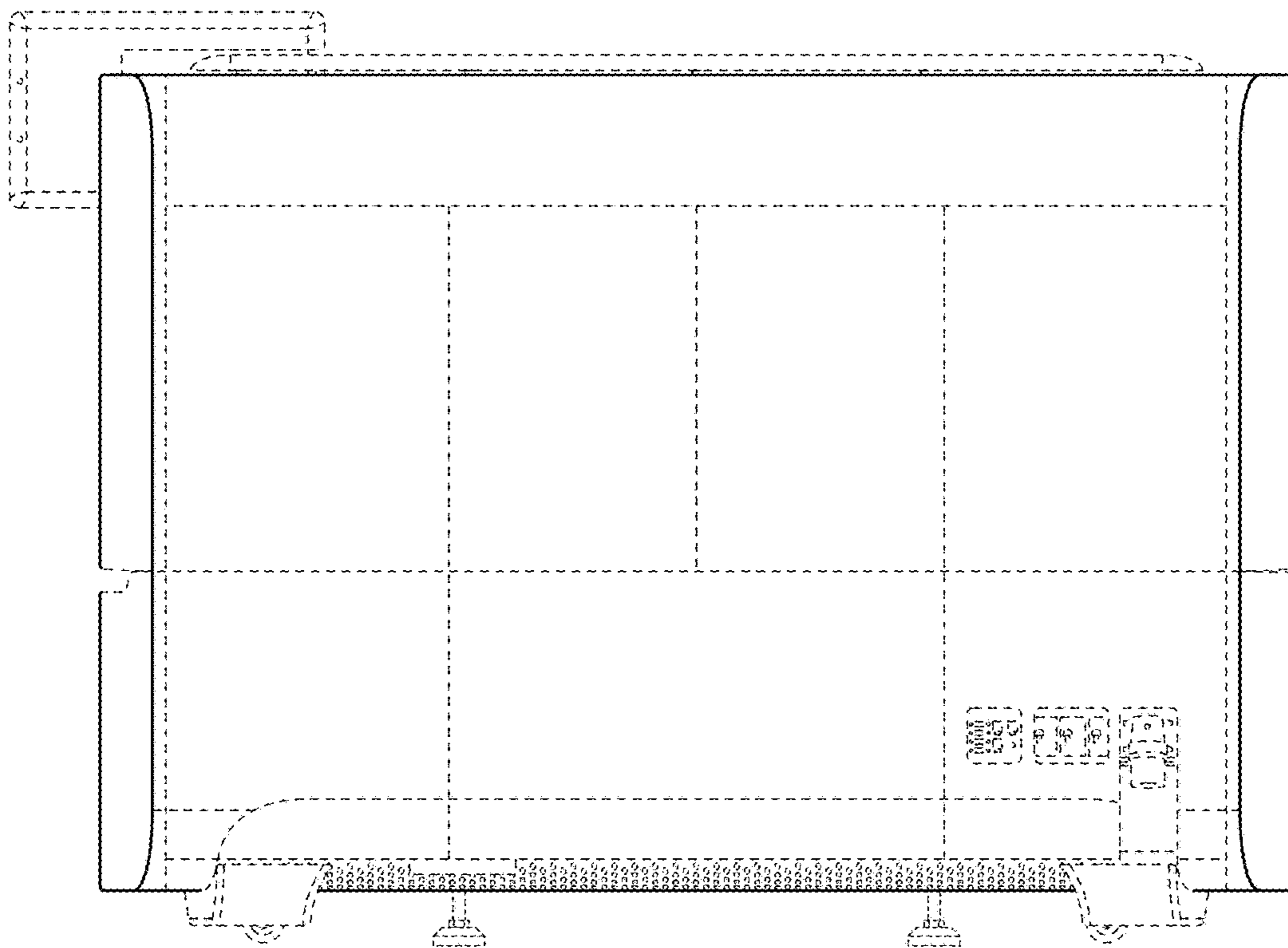


FIG. 5

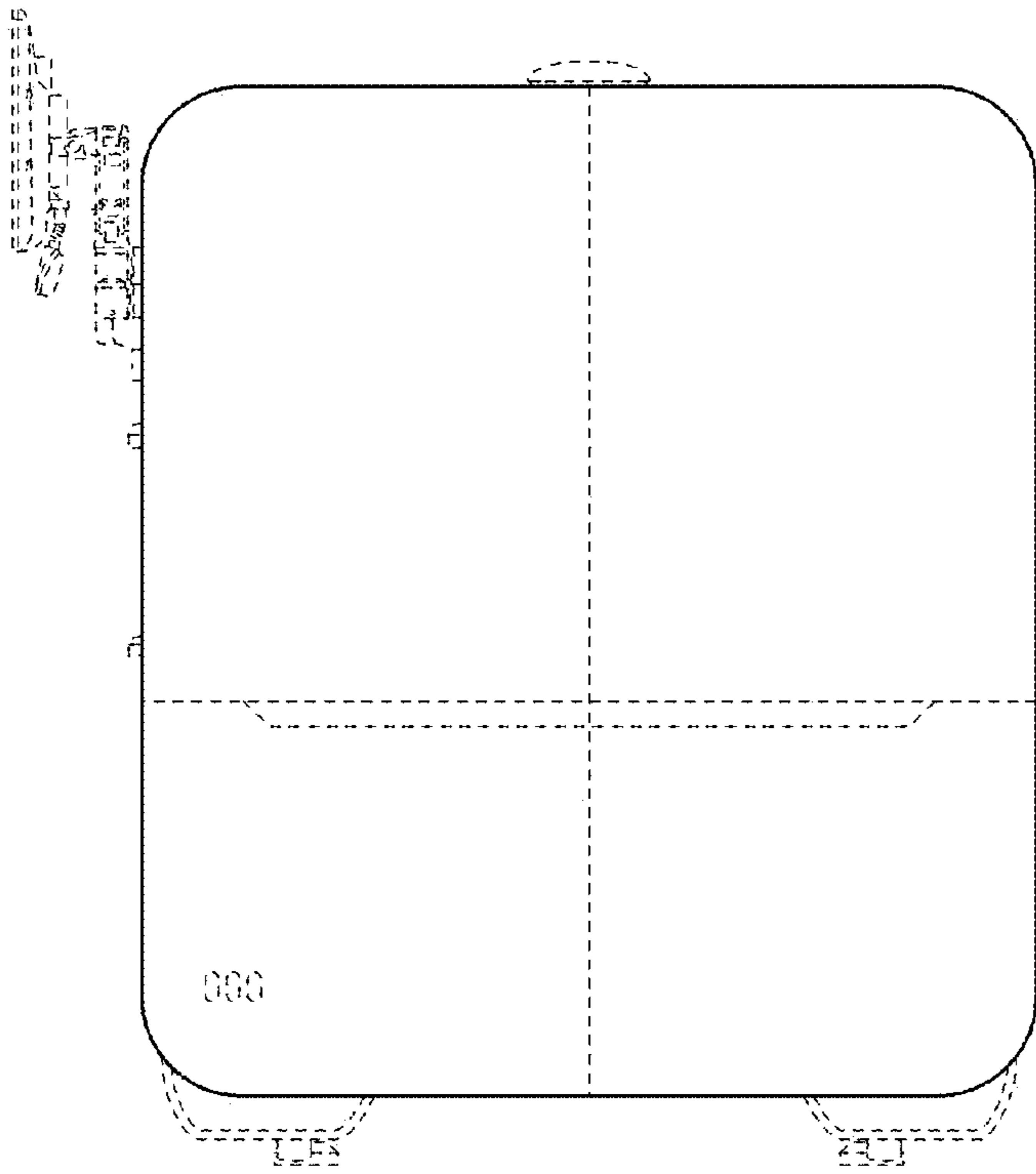


FIG. 6

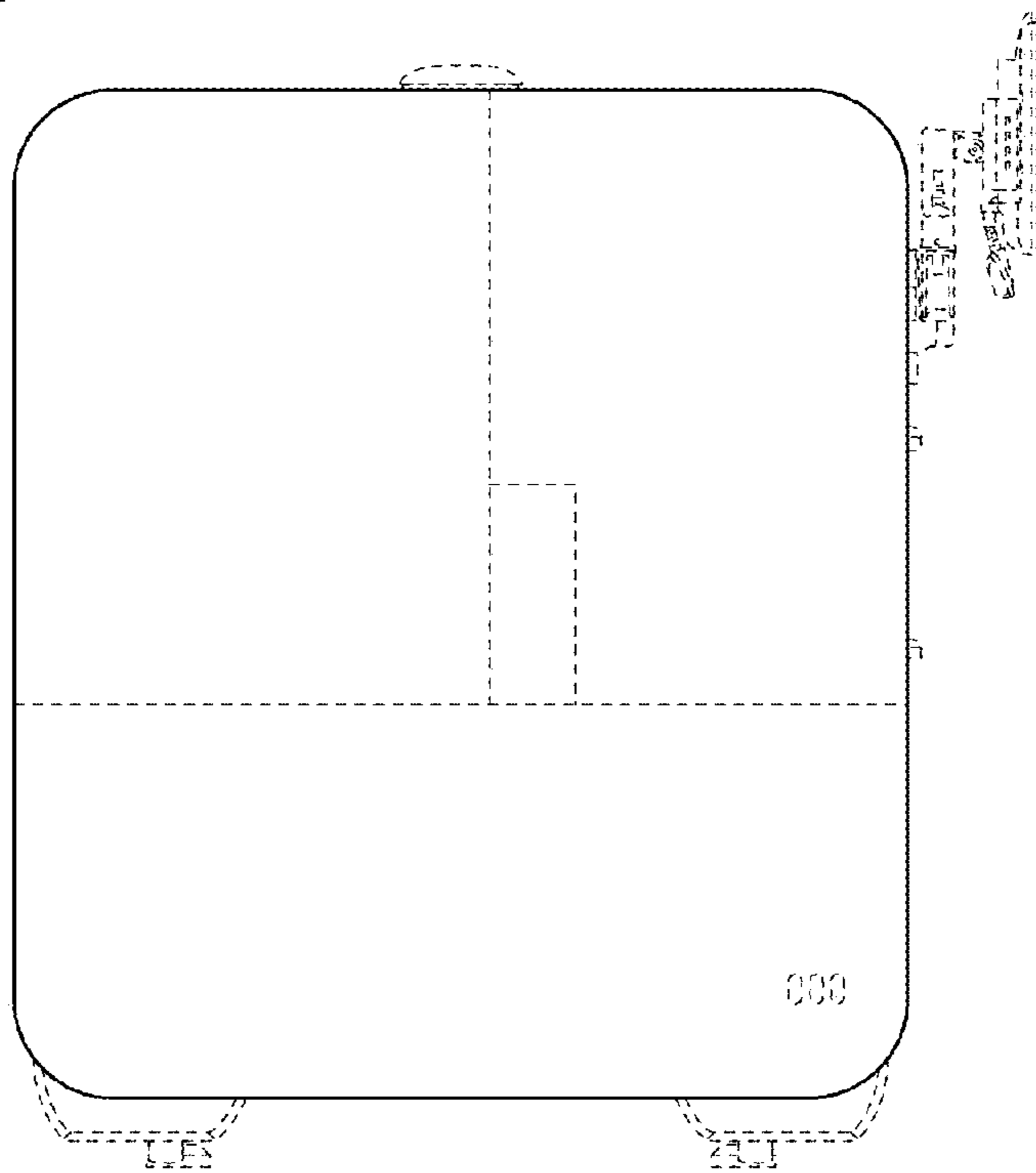


FIG. 7

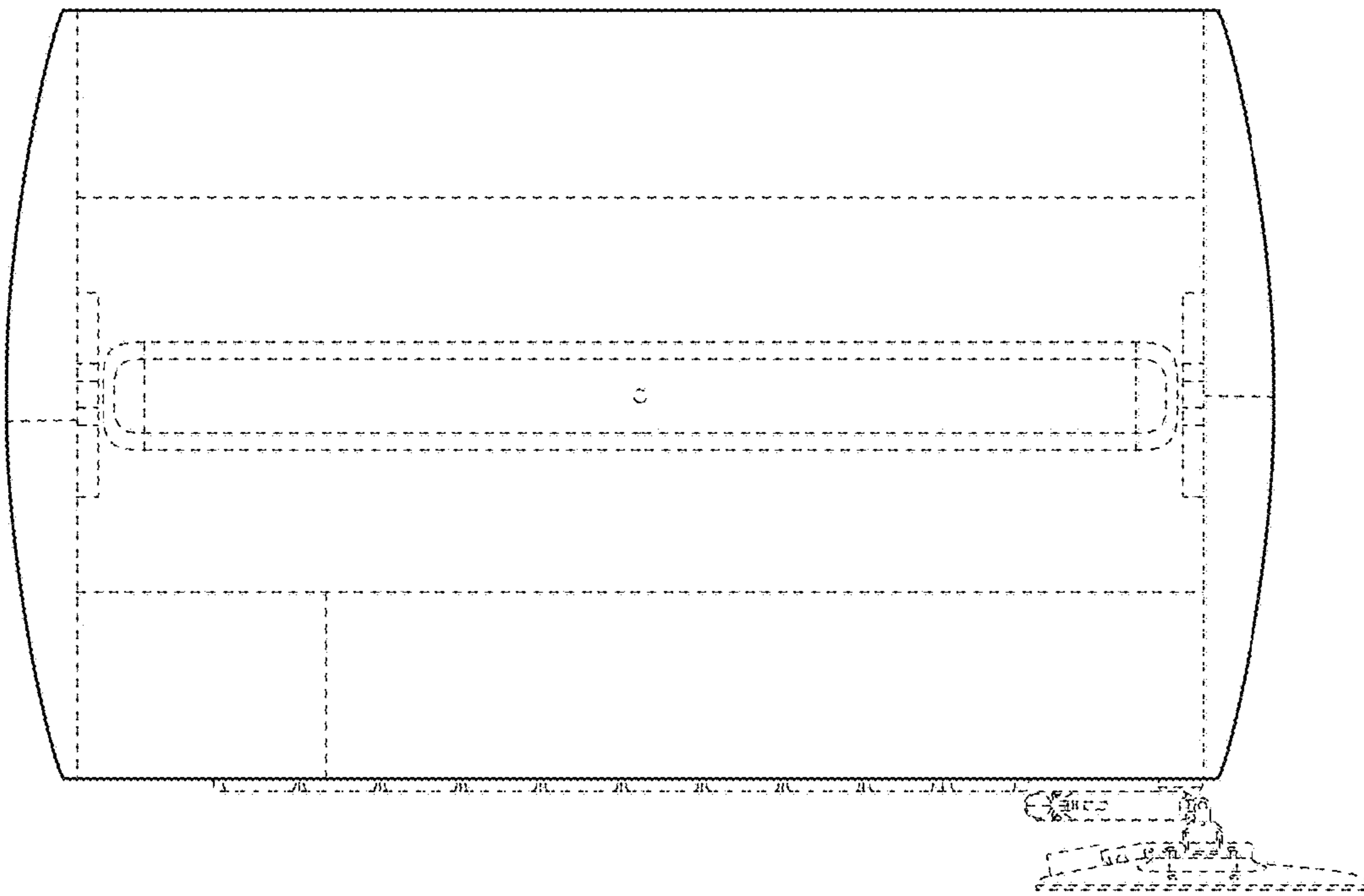


FIG. 8

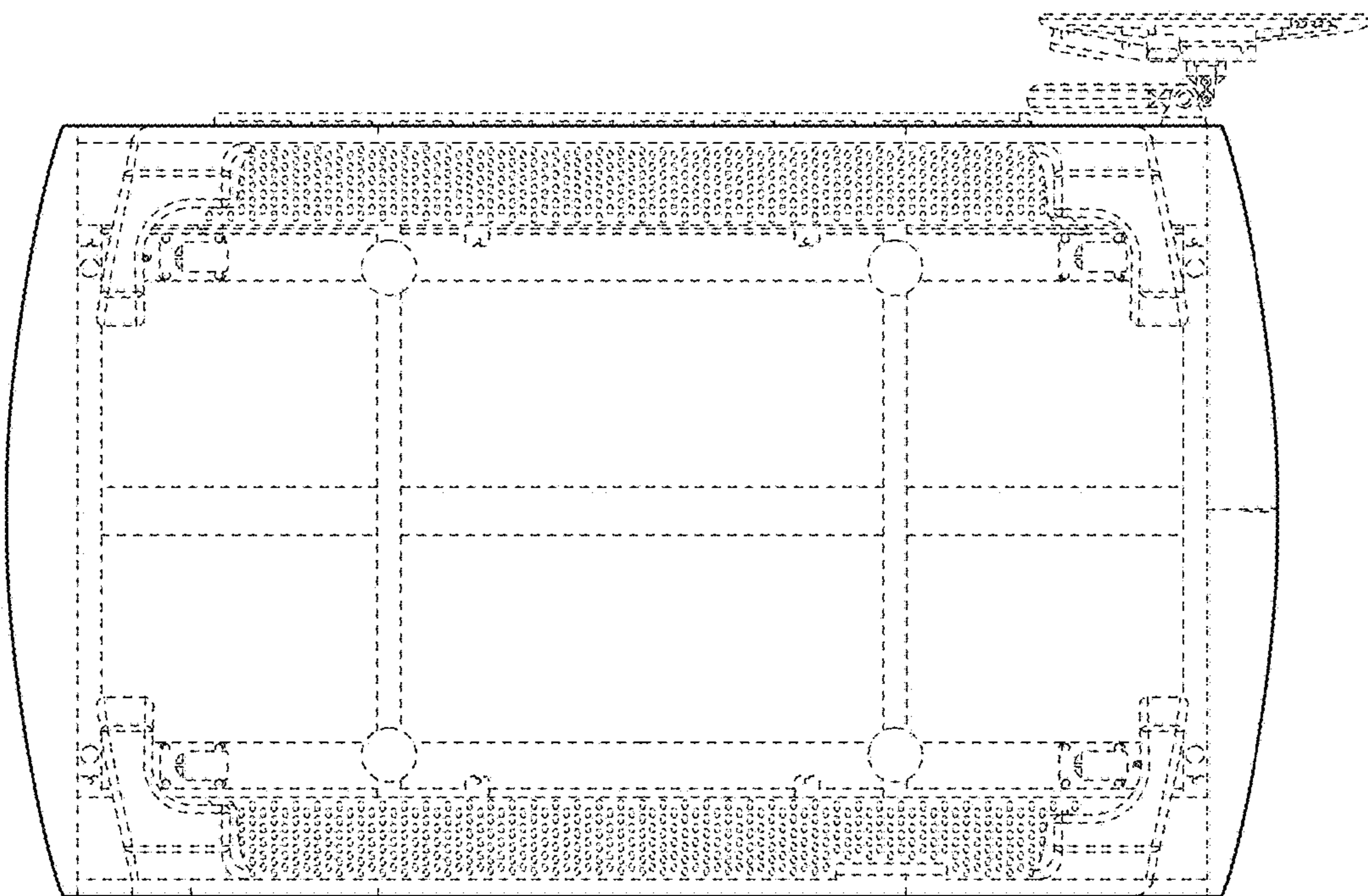


FIG. 9