



US00D843250S

(12) **United States Design Patent**  
**Misson et al.**

(10) **Patent No.:** **US D843,250 S**  
(45) **Date of Patent:** **\*\* Mar. 19, 2019**

(54) **VEHICLE DIAGNOSTICS DEVICE**

(71) Applicant: **Gluon Solutions, Inc.**, Livermore, CA (US)

(72) Inventors: **Sameer Misson**, Livermore, CA (US);  
**Hakam Misson**, Livermore, CA (US);  
**Narinder Bajwa**, Danville, CA (US)

(73) Assignee: **GLUON SOLUTIONS, INC.**,  
Livermore, CA (US)

(\*\*) Term: **15 Years**

(21) Appl. No.: **29/614,997**

(22) Filed: **Aug. 24, 2017**

(51) **LOC (11) Cl.** ..... **10-04**

(52) **U.S. Cl.**  
USPC ..... **D10/78**

(58) **Field of Classification Search**  
USPC ..... D10/70

CPC .... G08B 21/187; G08B 21/182; G05B 15/02;  
G07C 3/00; G07C 2205/02; G07C 5/00;  
G07C 5/002; G07C 5/004; G07C 5/006;  
G07C 5/008; G07C 5/02; G07C 5/04;  
G07C 5/06; G07C 5/08; G07C 5/0808;  
G07C 5/0816; G07C 5/0825; G07C  
5/0833; G07C 5/0841; G07C 5/085;  
G07C 5/0858; G07C 5/0866; G07C  
5/0875; G07C 5/0883; G07C 5/0891;  
F16M 13/02; F16B 1/00; F16B  
2001/0035; G01D 5/00; G06F 1/166;  
G06F 1/1656; G06F 1/1626; G06F  
1/1609; G06F 1/637; G06F 3/03547;  
G06F 3/04842; G06F 3/04817; G06F  
21/00; G06F 17/00; G01M 17/00; G01M

17/007; G01M 15/05; G01R 31/007;  
G01R 31/3648; G01R 31/3693; G01R  
31/3627; G01R 31/31907; G01R 31/319;  
G01R 31/28; F17D 1/08; F02P 17/08

See application file for complete search history.

(56) **References Cited**

U.S. PATENT DOCUMENTS

D725,520 S \* 3/2015 Varacca ..... D10/78  
D725,522 S \* 3/2015 Kousuge ..... D10/78

\* cited by examiner

*Primary Examiner* — Antoine Duval Davis

(74) *Attorney, Agent, or Firm* — Stoel Rives LLP

(57) **CLAIM**

We claim the ornamental design for a vehicle diagnostics device, as shown and described.

**DESCRIPTION**

FIG. 1 is a top perspective view of a vehicle diagnostics device in accordance with one embodiment.

FIG. 2 is a front plan view of the vehicle diagnostics device of FIG. 1.

FIG. 3 is a rear plan view of the vehicle diagnostics device of FIG. 1.

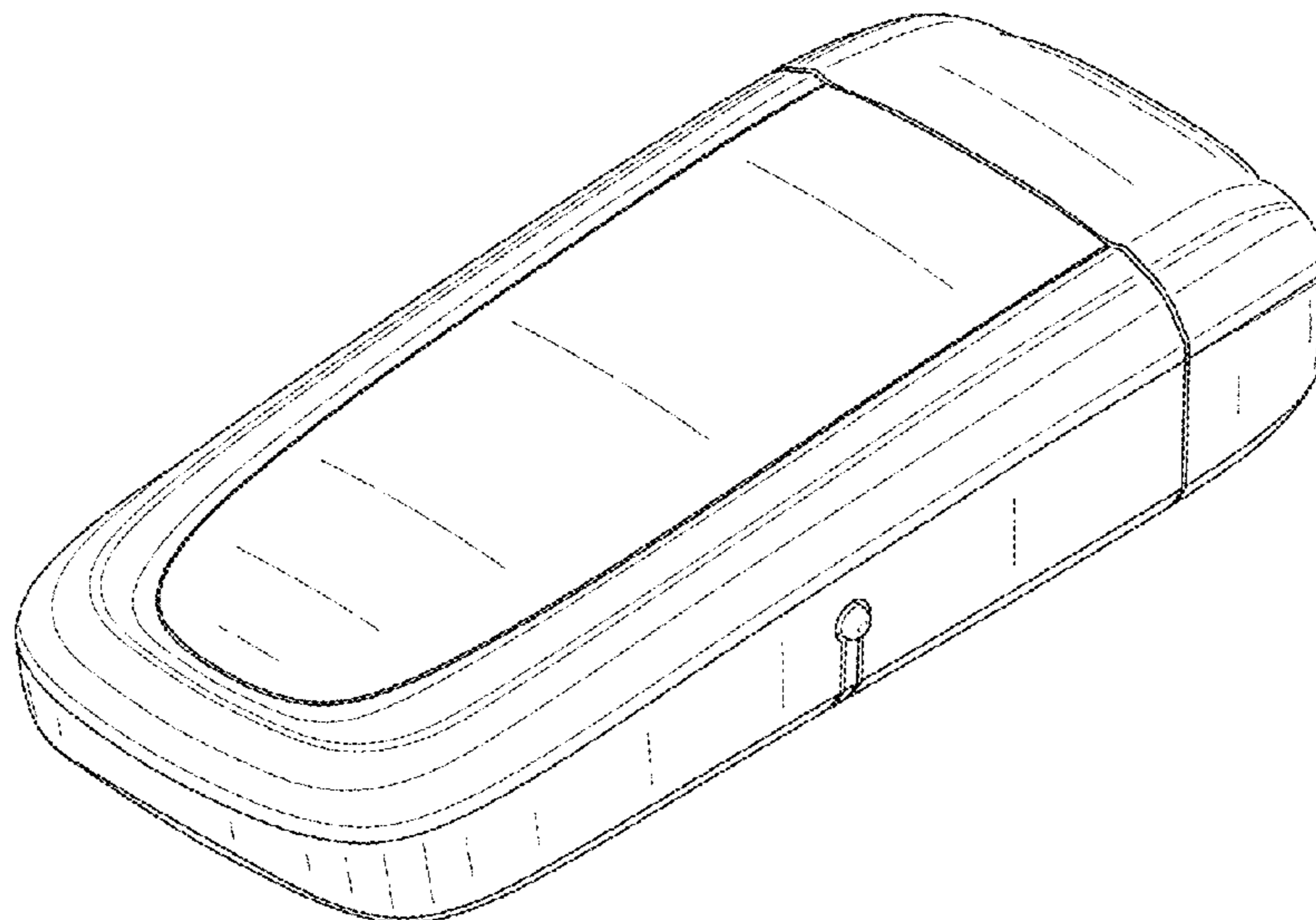
FIG. 4 is a right side elevation view of the vehicle diagnostics device of FIG. 1.

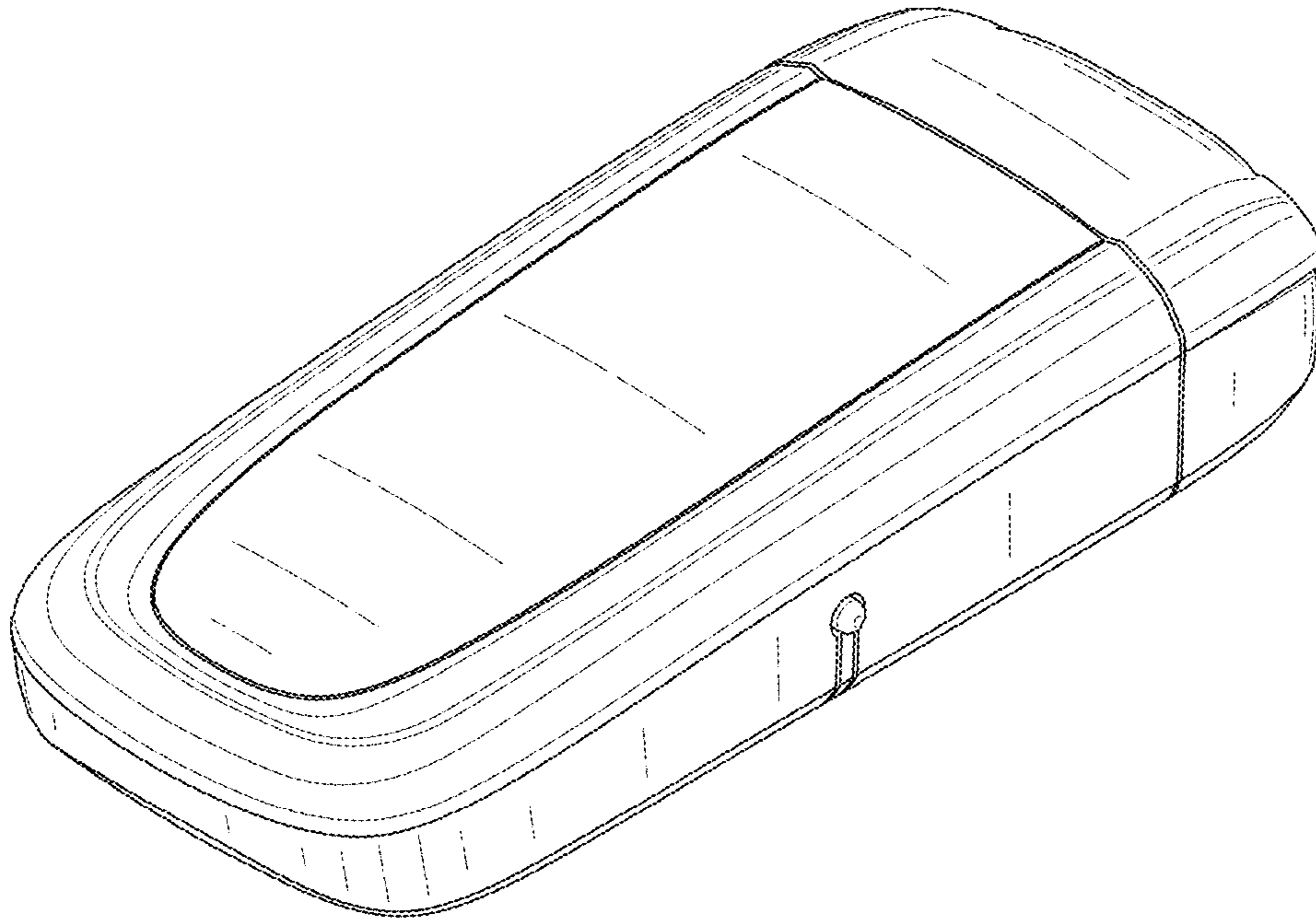
FIG. 5 is a left side elevation view of the vehicle diagnostics device of FIG. 1.

FIG. 6 is a top plan view of the vehicle diagnostics device of FIG. 1; and,

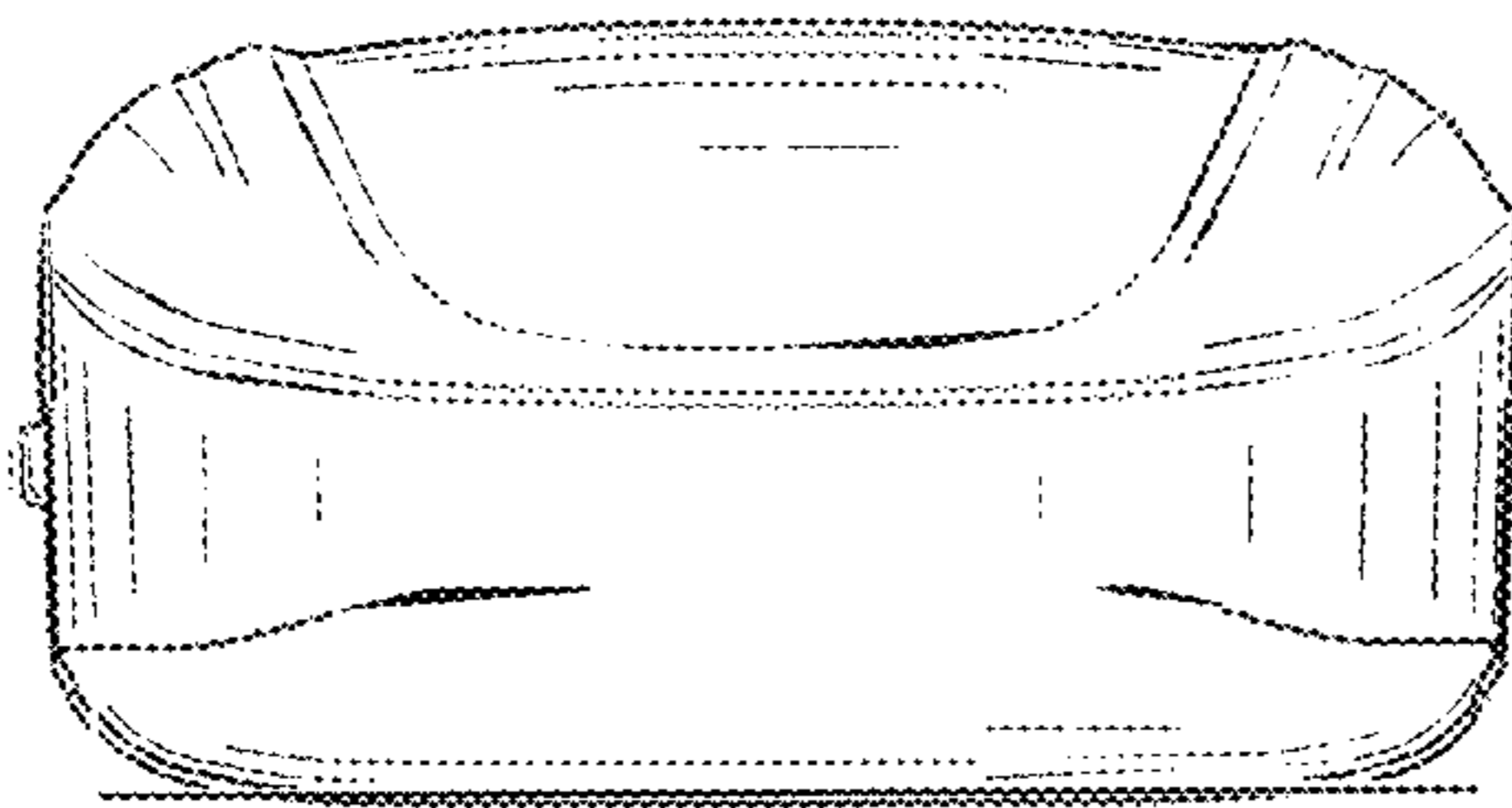
FIG. 7 is a bottom plan view of the vehicle diagnostics device of FIG. 1.

**1 Claim, 3 Drawing Sheets**

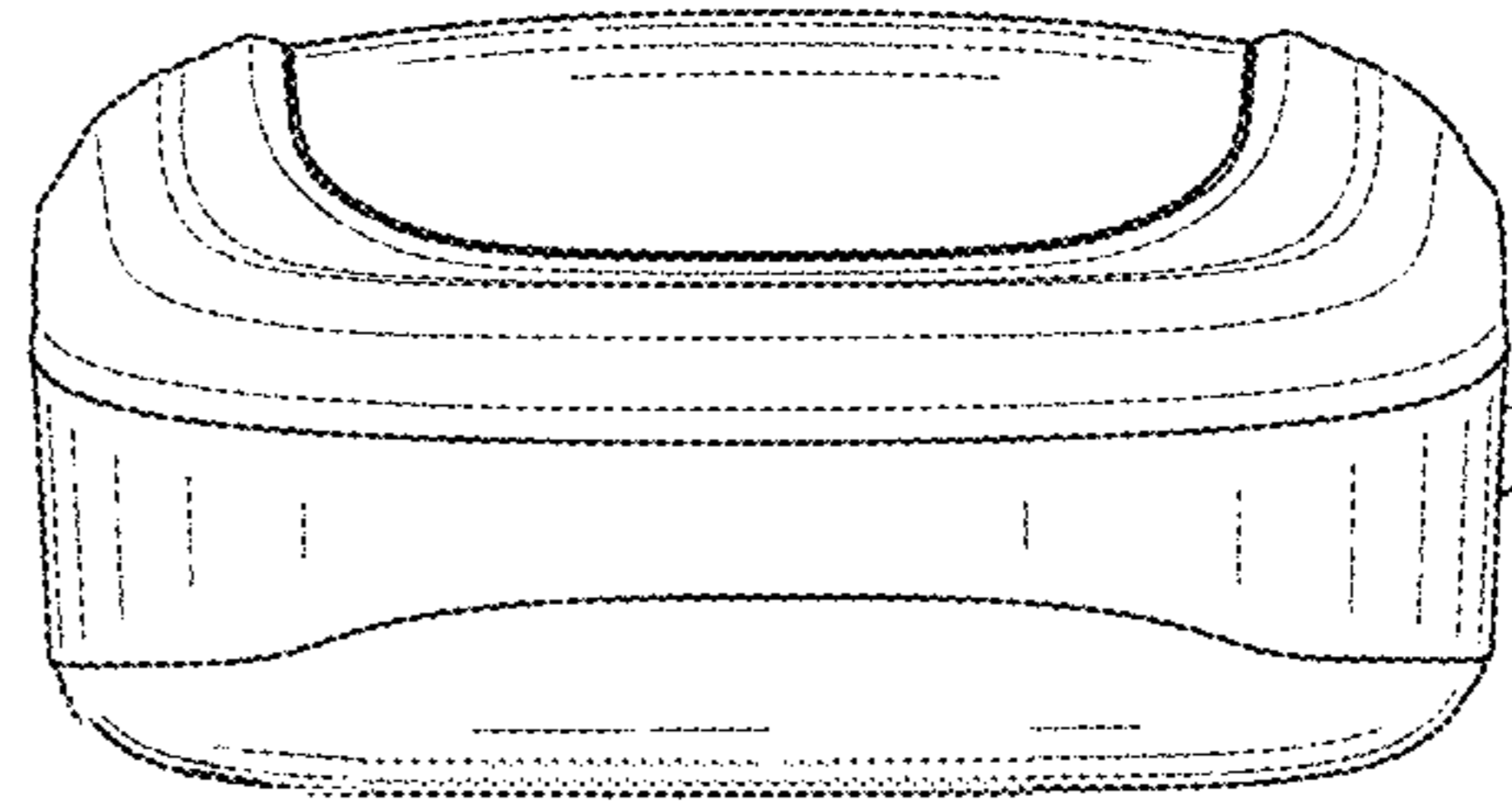




*FIG. 1*



*FIG. 2*



*FIG. 3*

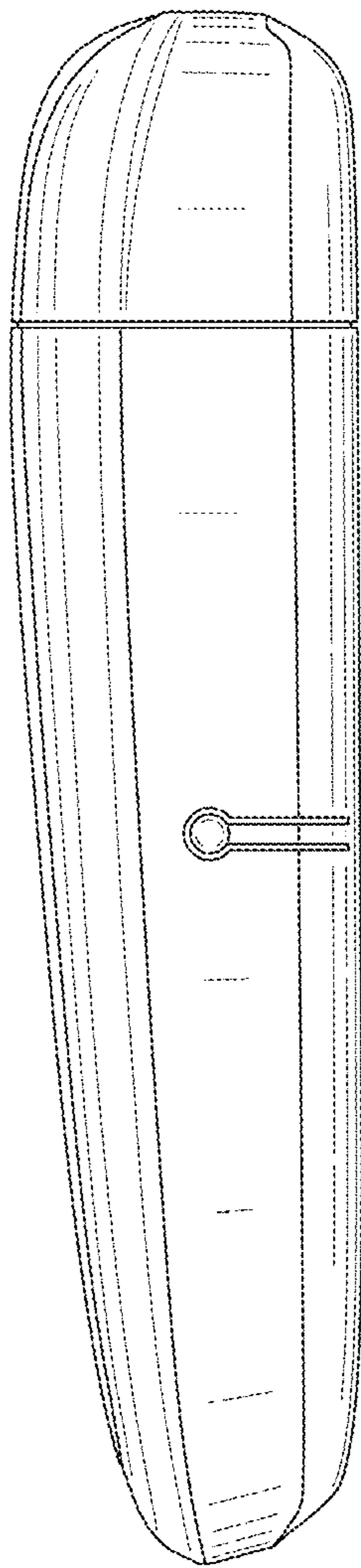


FIG. 4

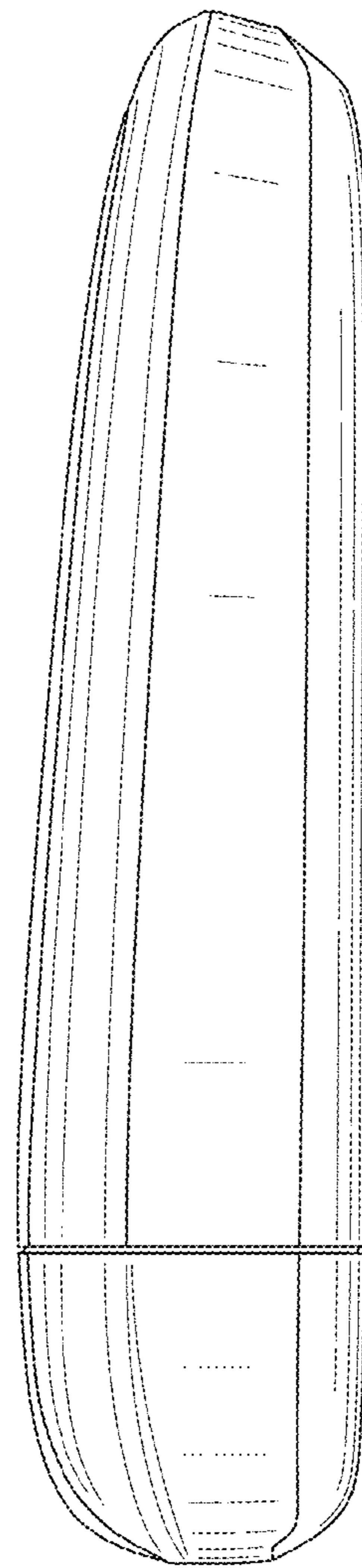
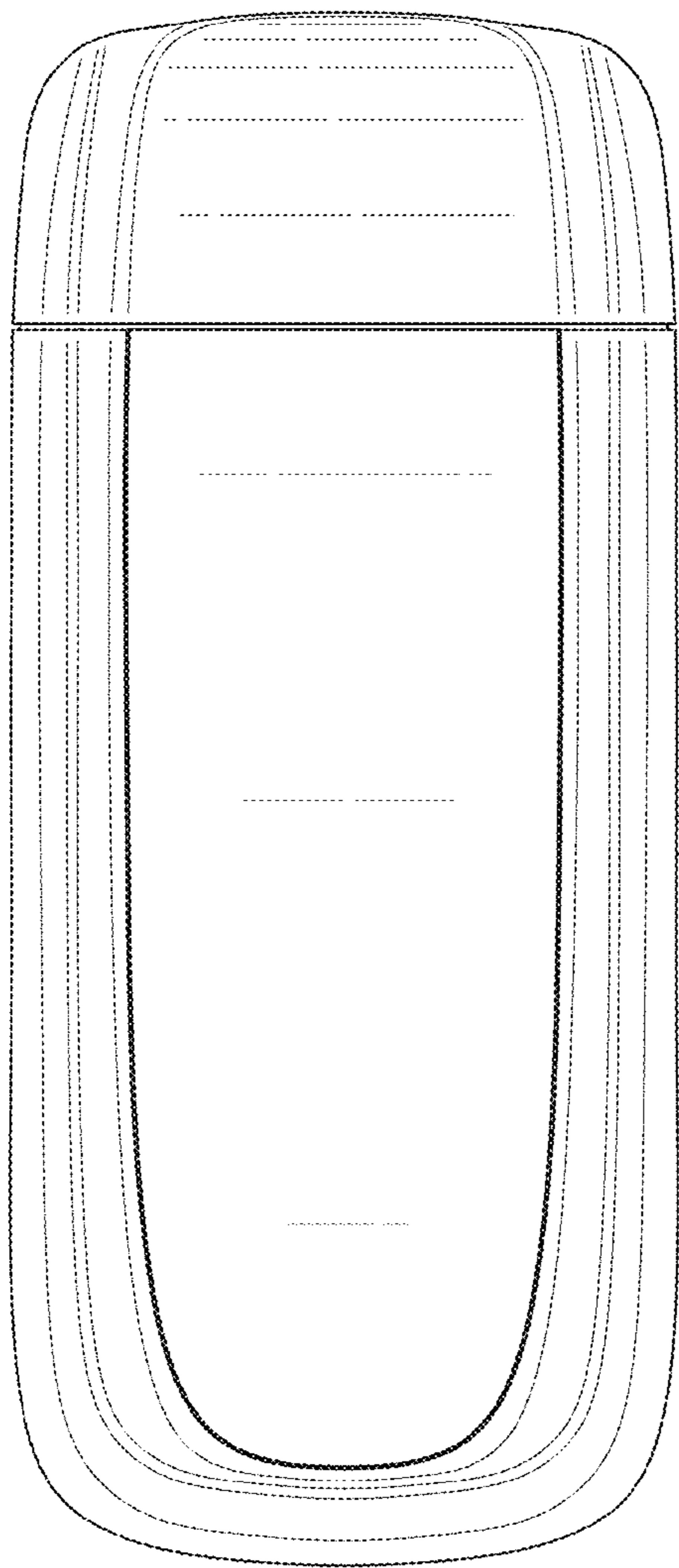
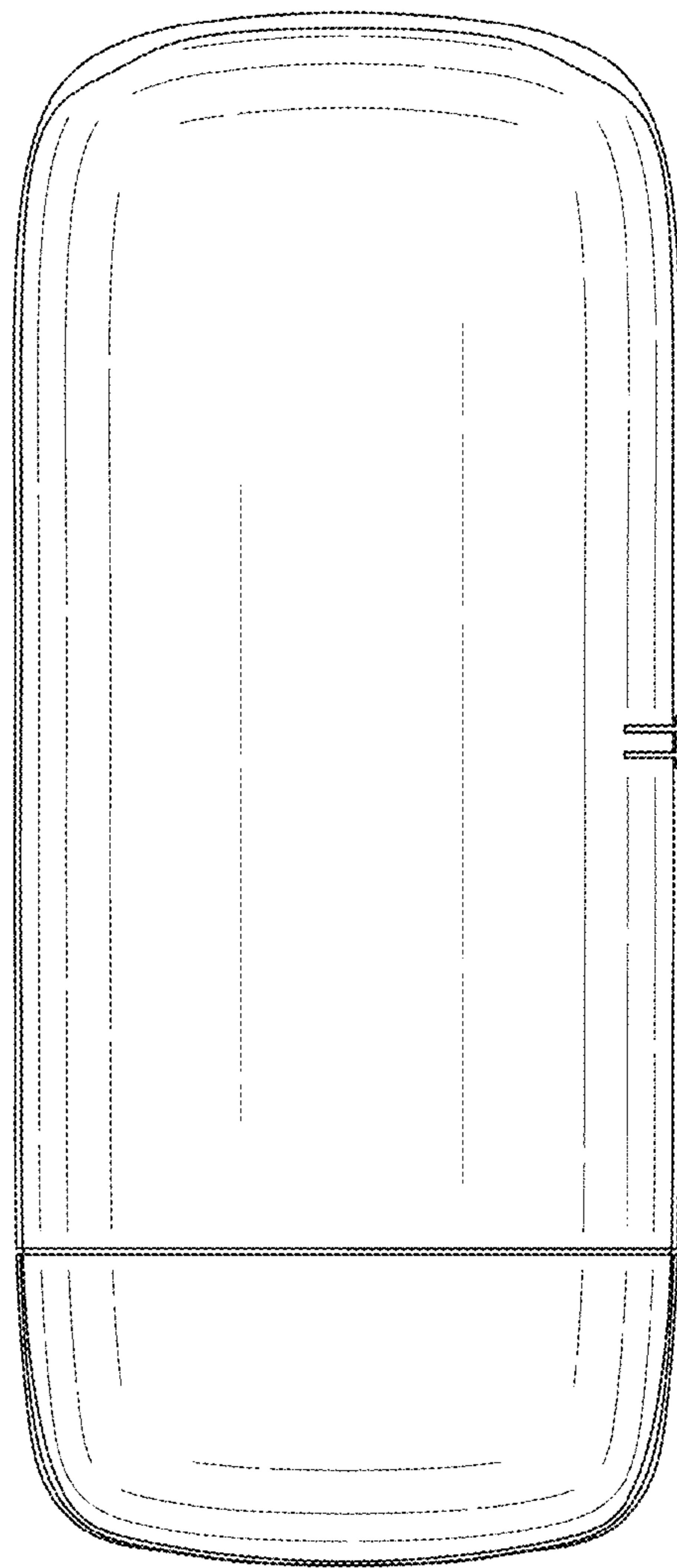


FIG. 5



*FIG. 6*



*FIG. 7*