



US00D843247S

(12) **United States Design Patent** (10) **Patent No.:** **US D843,247 S**
Ribbich et al. (45) **Date of Patent:** **** Mar. 19, 2019**

(54) **THERMOSTAT**

(71) Applicant: **Johnson Controls Technology Company**, Milwaukee, WI (US)

(72) Inventors: **Joseph R. Ribbich**, Waukesha, WI (US); **Julio A. Abdala**, SW Ranches, FL (US); **Juan Guillermo Alvarez**, Weston, FL (US); **Felippe M. Bicudo**, Fort Lauderdale, FL (US); **Vinosh C. Diptee**, Boynton Beach, FL (US); **Patricia Ellis Douglass**, Pompano Beach, FL (US); **Hao A. Nguyen**, Lake Worth, FL (US); **Claudio Santiago Ribeiro**, Evanston, IL (US); **Amit Verma**, Sunrise, FL (US)

(73) Assignee: **Johnson Controls Technology Company**, Auburn Hills, MI (US)

(**) Term: **15 Years**

(21) Appl. No.: **29/618,404**

(22) Filed: **Sep. 21, 2017**

Related U.S. Application Data

(60) Division of application No. 29/563,447, filed on May 4, 2016, which is a continuation-in-part of application (Continued)

(51) **LOC (11) Cl.** **10-04**

(52) **U.S. Cl.**
USPC **D10/60**

(58) **Field of Classification Search**
USPC D10/49, 50, 60
CPC . F23N 5/20; F23N 5/203; F23N 5/206; F23N 5/18; F23N 5/184; F23N 5/187; F23N 5/22; F23N 2025/12; F23N 2041/02; F24F 11/00; F24F 11/0012; F24F 11/0009; F24F

(Continued)

(56) **References Cited**

U.S. PATENT DOCUMENTS

D255,013 S * 5/1980 O'Brien D10/60
D290,818 S * 7/1987 Tomozawa D10/40

(Continued)

OTHER PUBLICATIONS

Office Action for U.S. Appl. No. 29/608,761, dated Jan. 16, 2018, 15 pages.

(Continued)

Primary Examiner — Antoine D Davis
(74) *Attorney, Agent, or Firm* — Foley & Lardner LLP

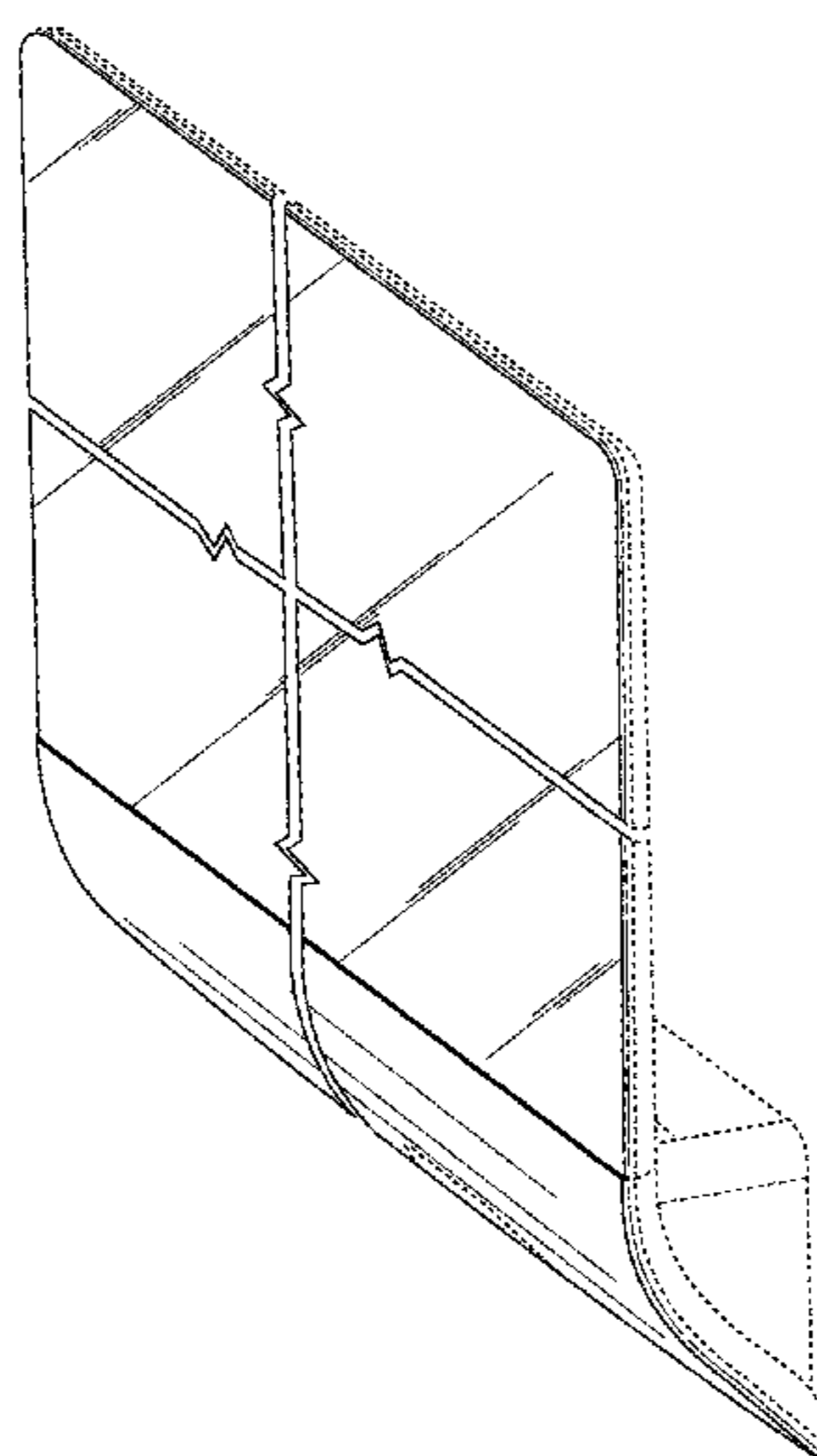
(57) **CLAIM**

We claim the ornamental design for a thermostat, as shown and described.

DESCRIPTION

FIG. 1 is a front perspective view from above of the claimed design according to one embodiment;
FIG. 2 is a front side view of the claimed design of FIG. 1;
FIG. 3 is a rear side view of the claimed design of FIG. 1;
FIG. 4 is a right side view of the claimed design of FIG. 1;
FIG. 5 is a left side view of the claimed design of FIG. 1;
FIG. 6 is a top view of the claimed design of FIG. 1; and,
FIG. 7 is a bottom view of the claimed design of FIG. 1.
The broken lines in the drawings form no part of the claimed design. Lines having a jagged element show that no particular length of the portion is claimed, such lines and any portion of the article between such lines form no part of the claimed design. Oblique lines represent transparent or semi-transparent portions of the claimed design.

1 Claim, 7 Drawing Sheets



Related U.S. Application Data

No. 29/548,334, filed on Dec. 11, 2015, now Pat. No. Des. 790,369.

(58) **Field of Classification Search**

CPC 11/001; F24F 2011/0057; F24F 2011/0073; F24F 2011/0091; F24F 2011/0094; F24F 2011/0068; F24F 2011/0012; F24F 2011/0015; F24F 2011/0017; F21V 11/16; F21V 33/10; G05B 19/042; G05D 23/01; G05D 23/12; G05D 23/275; G05D 23/1902; G05D 23/1904; G05D 23/27502; G05D 23/27503; G05D 23/1919; G05D 23/19; G05D 23/2723; G05D 23/00; G09F 13/22; G09F 9/53; G06F 1/1684; G06F 1/30; G06F 3/0362; G06F 3/038; H05B 33/0854; H05B 37/0218; H05K 5/0017; H05K 5/0243; H05K 5/00; H05K 5/03; H04M 2250/12; H04M 2250/22

See application file for complete search history.

(56) **References Cited**

U.S. PATENT DOCUMENTS

D506,150 S 6/2005 Backlund et al.
 D506,687 S 6/2005 Takach et al.
 D506,689 S 6/2005 Backlund et al.
 D509,151 S 9/2005 Takach et al.
 D520,386 S 5/2006 Takach et al.
 D520,885 S 5/2006 Takach et al.
 D524,663 S 7/2006 Moore
 D525,154 S 7/2006 Moore
 D525,541 S 7/2006 Barton et al.
 D527,288 S 8/2006 Moore
 D527,658 S 9/2006 Moore
 D530,633 S 10/2006 Moore
 D531,526 S 11/2006 Barton et al.
 D531,527 S 11/2006 Moore
 D531,528 S 11/2006 Moore
 D533,793 S 12/2006 Moore
 D534,088 S 12/2006 Moore
 D534,443 S 1/2007 Moore
 D535,572 S 1/2007 Takach et al.
 D535,573 S 1/2007 Barton et al.
 D536,271 S 2/2007 Moore
 D541,184 S 4/2007 Barton et al.
 D542,677 S 5/2007 Barton et al.
 D551,577 S 9/2007 Barton et al.
 D553,022 S 10/2007 McGuire et al.

D556,060 S 11/2007 McGuire et al.
 D556,607 S 12/2007 Beland et al.
 D556,608 S 12/2007 Rhodes
 D556,609 S 12/2007 Rhodes
 RE40,190 E 4/2008 Takach et al.
 D578,026 S 10/2008 Roher et al.
 D580,801 S 11/2008 Takach et al.
 D582,800 S 12/2008 Comerford et al.
 D582,801 S 12/2008 Comerford et al.
 D582,802 S 12/2008 Branson et al.
 D582,803 S 12/2008 Comerford et al.
 D589,822 S 4/2009 Rhodes
 D590,730 S 4/2009 Simard et al.
 D596,964 S 7/2009 Wang et al.
 D610,027 S 2/2010 Li et al.
 D646,990 S 10/2011 Rhodes
 D655,210 S 3/2012 Narayanamurthy et al.
 D659,560 S 5/2012 Rhodes
 D662,837 S 7/2012 Morrow
 D662,838 S 7/2012 Morrow
 D662,839 S 7/2012 Morrow
 D662,840 S 7/2012 Morrow
 D663,224 S 7/2012 Morrow
 D666,508 S 9/2012 Beland et al.
 D666,509 S 9/2012 Beland et al.
 D666,510 S 9/2012 Beland et al.
 D667,740 S 9/2012 Leung
 D672,666 S 12/2012 Rhodes et al.
 D678,084 S 3/2013 Beland et al.
 D688,955 S 9/2013 Deligiannis et al.
 D699,130 S 2/2014 Rhodes et al.
 D705,095 S 5/2014 Steinberg et al.
 D715,165 S 10/2014 Deligiannis et al.
 D715,166 S 10/2014 Rhodes
 D720,633 S 1/2015 Novotny et al.
 D725,524 S 3/2015 Takach et al.
 D737,153 S 8/2015 Lombard et al.
 D750,980 S 3/2016 Takach et al.
 D795,716 S 8/2017 Aburatani
 D821,897 S * 7/2018 Sinha D10/60
 2016/0327299 A1 * 11/2016 Ribbich F24F 11/30
 2017/0234562 A1 * 8/2017 Ribbich G05D 23/1923
 700/277

OTHER PUBLICATIONS

Office Action for U.S. Appl. No. 29/548,334, dated Jan. 19, 2017, 9 pages.
 Office Action for U.S. Appl. No. 29/563,447, dated Jul. 5, 2017, 9 pages.
 Notice of Allowance for U.S. Appl. No. 29/548,334, dated Mar. 30, 2017, 8 pages.

* cited by examiner

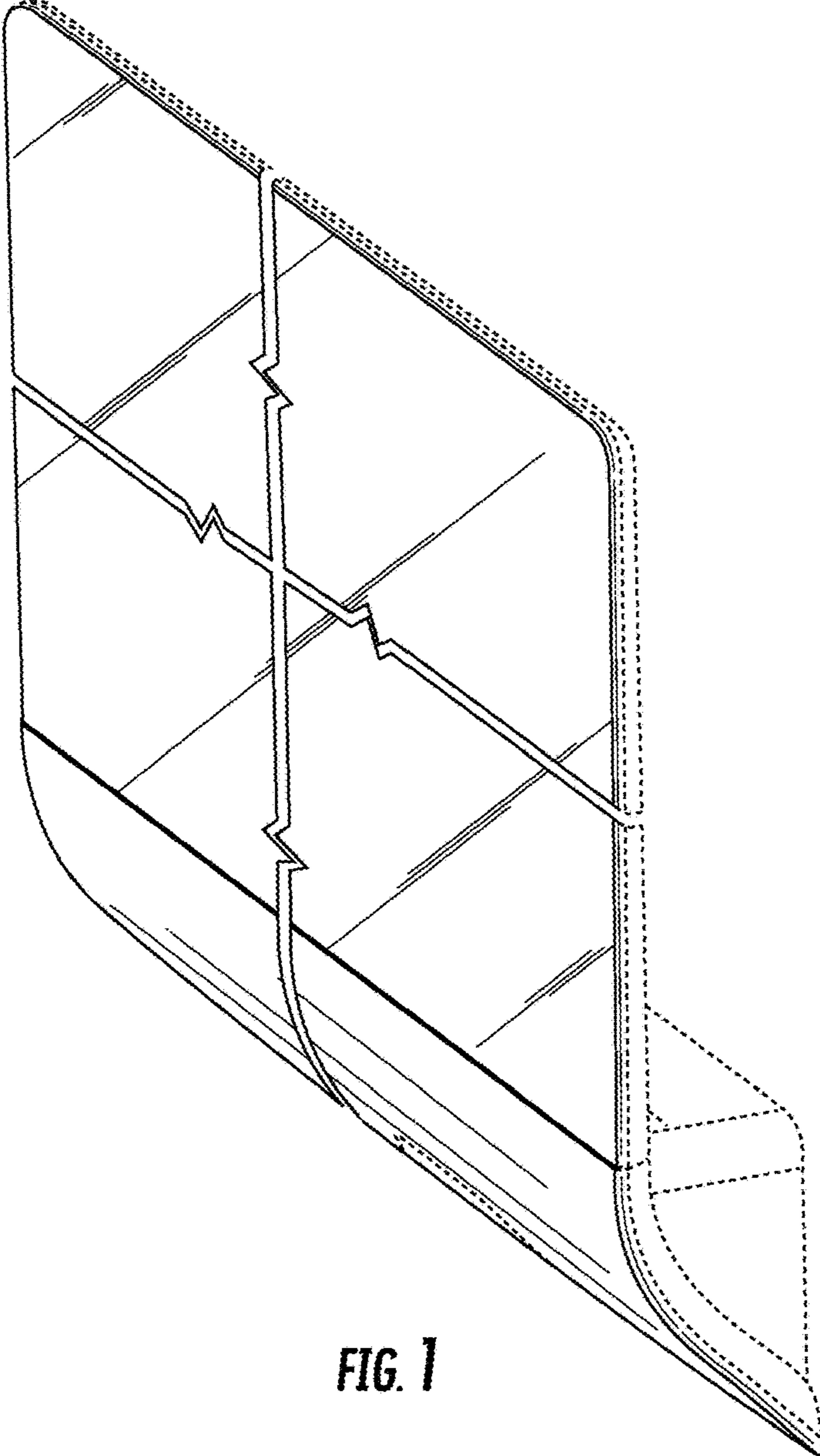


FIG. 1

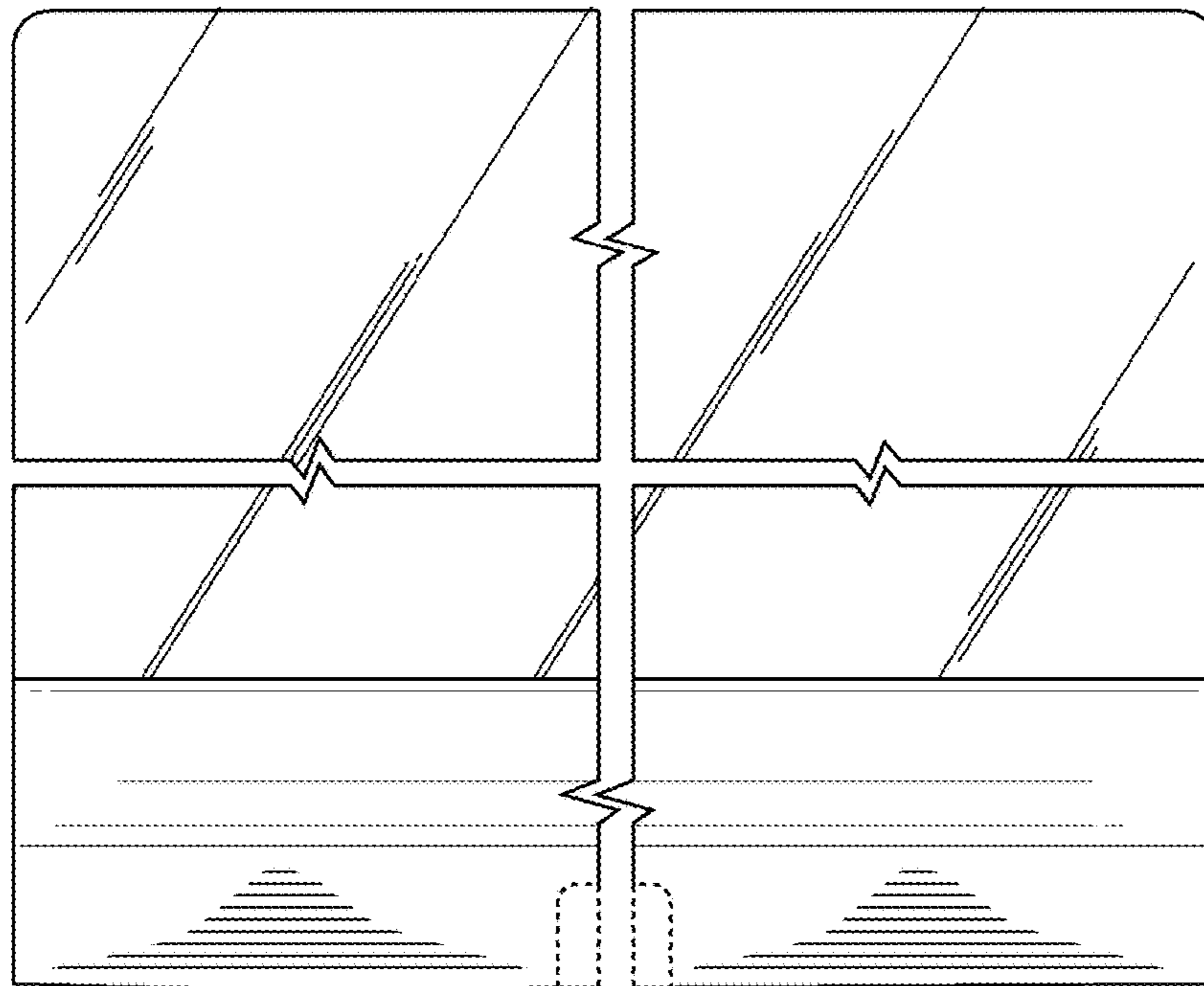


FIG. 2

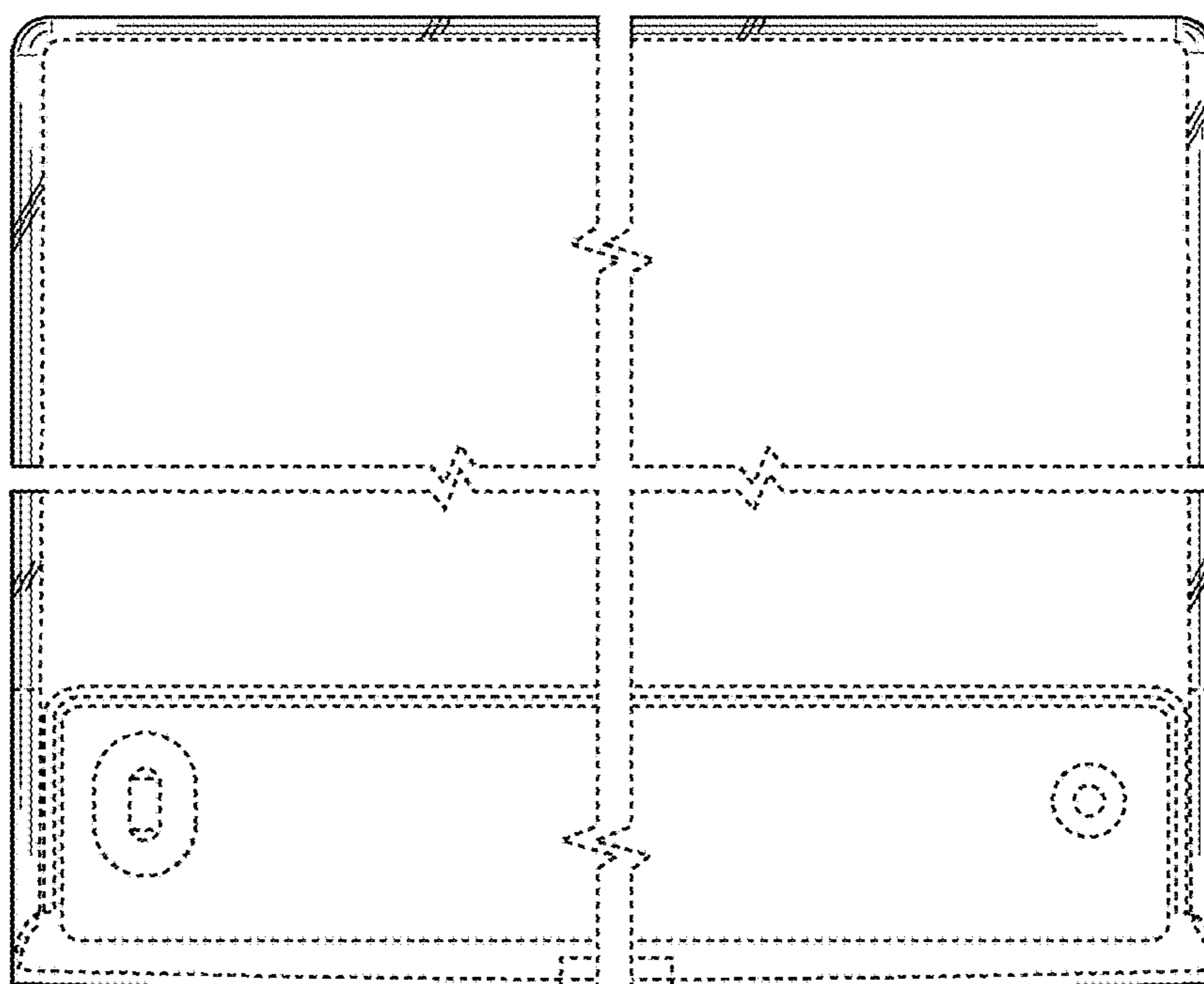


FIG. 3

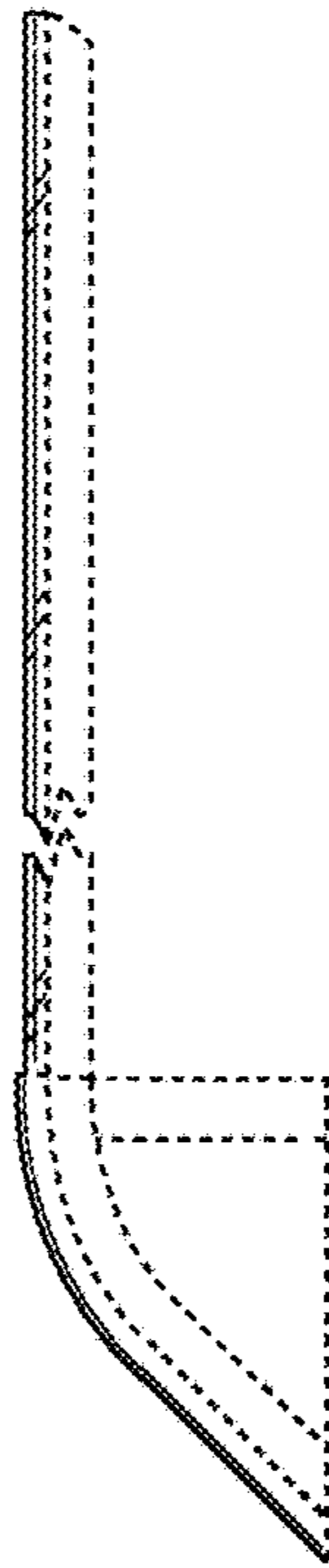


FIG. 4



FIG. 5

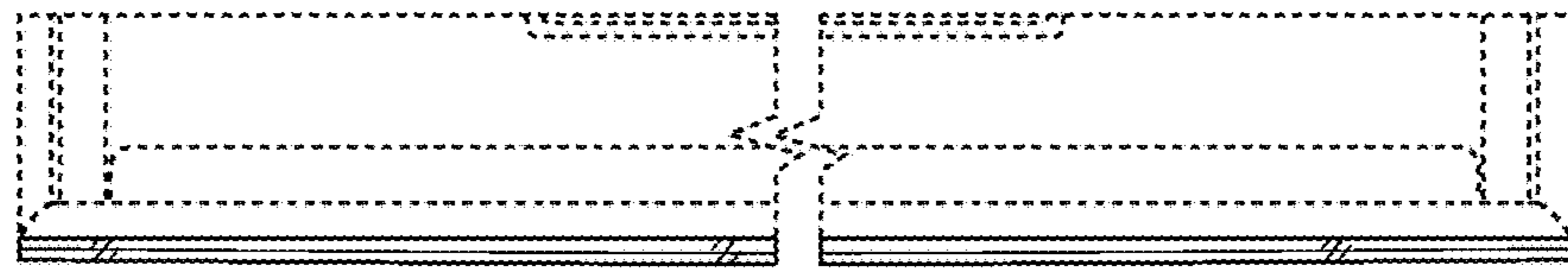


FIG. 6

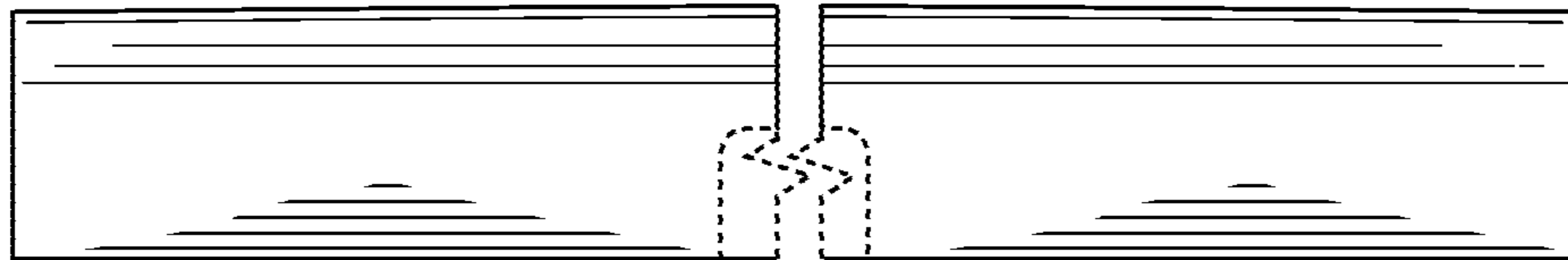


FIG. 7