



US00D843246S

(12) **United States Design Patent**
Sinha et al.

(10) **Patent No.:** **US D843,246 S**
(45) **Date of Patent:** **** Mar. 19, 2019**

(54) **THERMOSTAT**

(71) Applicant: **Johnson Controls Technology Company**, Milwaukee, WI (US)

(72) Inventors: **Sudhi Sinha**, Milwaukee, WI (US); **Joseph R. Ribbich**, Waukesha, WI (US); **Michael L. Ribbich**, Columbia, SC (US); **Charles J. Gaidish**, Saint Francis, WI (US); **John Peter Cipolla**, Inverness, IL (US); **Amit Verma**, Sunrise, FL (US); **Vinosh C. Diptee**, Boynton Beach, FL (US); **Hao A. Nguyen**, Lake Worth, FL (US); **Julio A. Abdala**, SW Ranches, FL (US); **Juan Guillermo Alvarez**, Weston, FL (US); **Felippe M. Bicudo**, Fort Lauderdale, FL (US); **Patricia Ellis Douglass**, Pompano Beach, FL (US); **Claudio Santiago Ribeiro**, Evanston, IL (US)

(73) Assignee: **Johnson Controls Technology Company**, Auburn Hills, MI (US)

(**) Term: **15 Years**

(21) Appl. No.: **29/618,313**

(22) Filed: **Sep. 20, 2017**

Related U.S. Application Data

(60) Continuation of application No. 29/608,761, filed on Jun. 26, 2017, which is a division of application No. (Continued)

(51) **LOC (11) Cl.** **10-04**

(52) **U.S. Cl.**
USPC **D10/60**

(58) **Field of Classification Search**
USPC D10/49, 50, 60
(Continued)

(56) **References Cited**

U.S. PATENT DOCUMENTS

D255,013 S * 5/1980 O'Brien D10/60
D290,818 S * 7/1987 Tomozawa D10/40
(Continued)

OTHER PUBLICATIONS

Office Action for U.S. Appl. No. 29/608,761, dated Jan. 16, 2018, 15 pages.

(Continued)

Primary Examiner — Antoine D Davis

(74) *Attorney, Agent, or Firm* — Foley & Lardner LLP

(57) **CLAIM**

We claim the ornamental design for a thermostat, as shown and described.

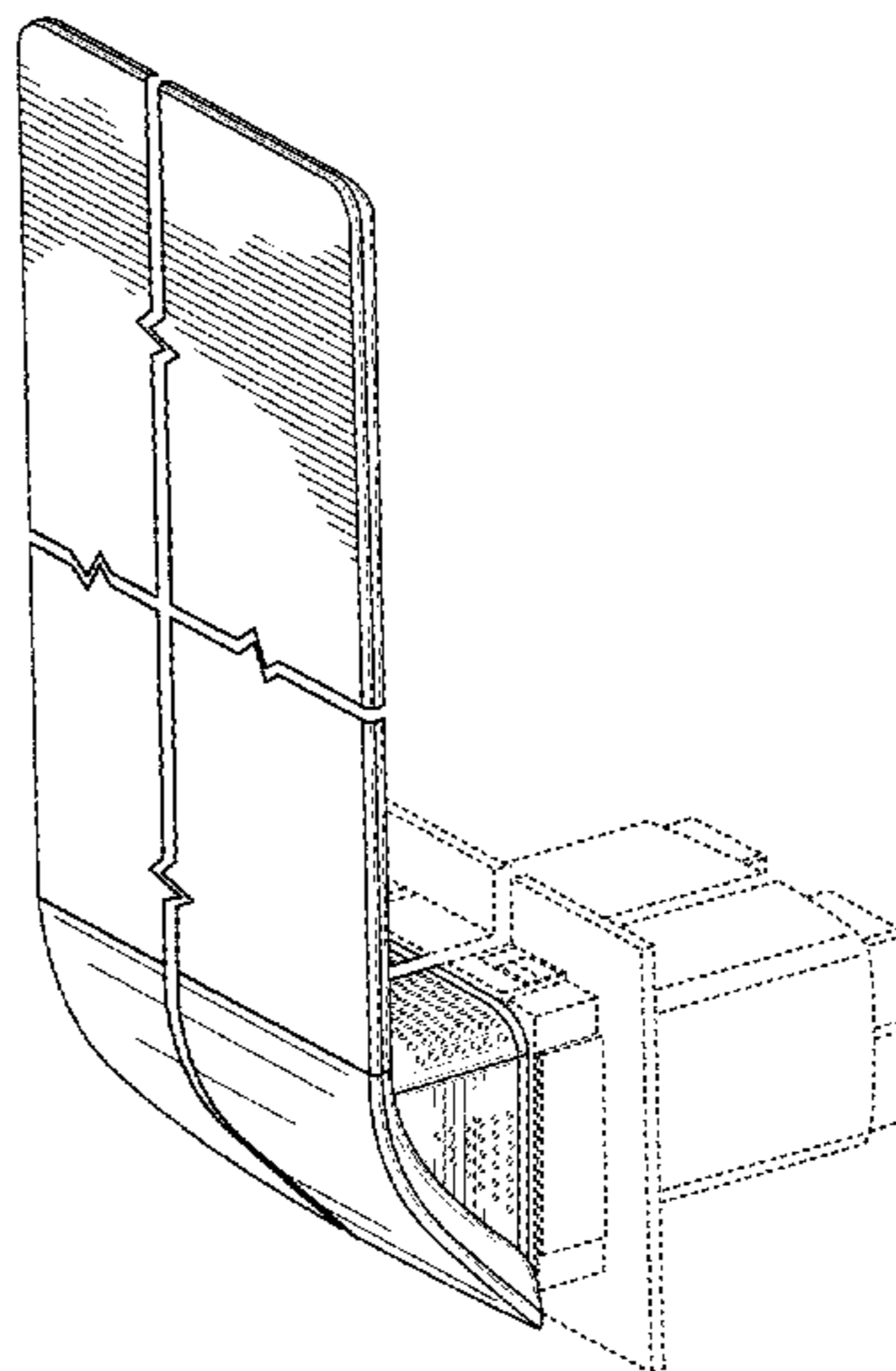
DESCRIPTION

FIG. 1 is a front perspective view from above of a thermostat according to the claimed design;

FIG. 2 is a front side view of the claimed design of FIG. 1; FIG. 3 is a rear side view of the claimed design of FIG. 1; FIG. 4 is a right side view of the claimed design of FIG. 1; FIG. 5 is a left side view of the claimed design of FIG. 1; FIG. 6 is a top view of the claimed design of FIG. 1; and, FIG. 7 is a bottom view of the claimed design of FIG. 1.

The broken lines in the drawings form no part of the claimed design. Lines having a jagged element show that no particular length of the portion is claimed, such lines and any portion of the article between such lines form no part of the claimed design.

1 Claim, 7 Drawing Sheets



Related U.S. Application Data

29/548,334, filed on Dec. 11, 2015, now Pat. No. Des. 790,369.

(58) **Field of Classification Search**

CPC . F23N 5/20; F23N 5/203; F23N 5/206; F23N 5/18; F23N 5/184; F23N 5/187; F23N 5/22; F23N 2025/12; F23N 2041/02; F24F 11/00; F24F 11/0012; F24F 11/0009; F24F 11/001; F24F 2011/0057; F24F 2011/0073; F24F 2011/0091; F24F 2011/0094; F24F 2011/0068; F24F 2011/0012; F24F 2011/0015; F24F 2011/0017; F21V 11/16; F21V 33/10; G05B 19/042; G05D 23/01; G05D 23/12; G05D 23/275; G05D 23/1902; G05D 23/1904; G05D 23/27502; G05D 23/27503; G05D 23/1919; G05D 23/19; G05D 23/2723; G05D 23/00; G09F 13/22; G09F 9/53; G06F 1/1684; G06F 1/30; G06F 3/0362; G06F 3/038; H05B 33/0854; H05B 37/0218; H05K 5/0017; H05K 5/0243; H05K 5/00; H05K 5/03; H04M 2250/12; H04M 2250/22

See application file for complete search history.

(56) **References Cited**

U.S. PATENT DOCUMENTS

D506,150 S 6/2005 Backlund et al.
 D506,687 S 6/2005 Takach et al.
 D506,689 S 6/2005 Backlund et al.
 D509,151 S 9/2005 Takach et al.
 D520,386 S 5/2006 Takach et al.
 D520,885 S 5/2006 Takach et al.
 D524,663 S 7/2006 Moore
 D525,154 S 7/2006 Moore
 D525,541 S 7/2006 Barton et al.
 D527,288 S 8/2006 Moore
 D527,658 S 9/2006 Moore
 D530,633 S 10/2006 Moore
 D531,526 S 11/2006 Barton et al.
 D531,527 S 11/2006 Moore
 D531,528 S 11/2006 Moore
 D533,793 S 12/2006 Moore
 D534,088 S 12/2006 Moore
 D534,443 S 1/2007 Moore
 D535,572 S 1/2007 Takach et al.
 D535,573 S 1/2007 Barton et al.
 D536,271 S 2/2007 Moore
 D541,184 S 4/2007 Barton et al.
 D542,677 S 5/2007 Barton et al.

D551,577 S 9/2007 Barton et al.
 D553,022 S 10/2007 McGuire et al.
 D556,060 S 11/2007 McGuire et al.
 D556,607 S 12/2007 Beland et al.
 D556,608 S 12/2007 Rhodes
 D556,609 S 12/2007 Rhodes
 RE40,190 E 4/2008 Takach et al.
 D578,026 S 10/2008 Roher et al.
 D580,801 S 11/2008 Takach et al.
 D582,800 S 12/2008 Comerford et al.
 D582,801 S 12/2008 Comerford et al.
 D582,802 S 12/2008 Branson et al.
 D582,803 S 12/2008 Comerford et al.
 D589,822 S 4/2009 Rhodes
 D590,730 S 4/2009 Simard et al.
 D596,964 S 7/2009 Wang et al.
 D610,027 S 2/2010 Li et al.
 D646,990 S 10/2011 Rhodes
 D655,210 S 3/2012 Narayanamurthy et al.
 D659,560 S 5/2012 Rhodes
 D662,837 S 7/2012 Morrow
 D662,838 S 7/2012 Morrow
 D662,839 S 7/2012 Morrow
 D662,840 S 7/2012 Morrow
 D663,224 S 7/2012 Morrow
 D666,508 S 9/2012 Beland et al.
 D666,509 S 9/2012 Beland et al.
 D666,510 S 9/2012 Beland et al.
 D667,740 S 9/2012 Leung
 D672,666 S 12/2012 Rhodes et al.
 D678,084 S 3/2013 Beland et al.
 D688,955 S 9/2013 Deligiannis et al.
 D699,130 S 2/2014 Rhodes et al.
 D705,095 S 5/2014 Steinberg et al.
 D715,165 S 10/2014 Deligiannis et al.
 D715,166 S 10/2014 Rhodes
 D720,633 S 1/2015 Novotny et al.
 D725,524 S 3/2015 Takach et al.
 D737,153 S 8/2015 Lombard et al.
 D750,980 S 3/2016 Takach et al.
 D795,716 S 8/2017 Aburatani
 D821,897 S * 7/2018 Sinha D10/60
 2016/0327299 A1 * 11/2016 Ribbich F24F 11/30
 2017/0234562 A1 * 8/2017 Ribbich G05D 23/1923
 700/277

OTHER PUBLICATIONS

Office Action for U.S. Appl. No. 29/548,334, dated Jan. 19, 2017, 9 pages.
 Office Action for U.S. Appl. No. 29/563,447, dated Jul. 5, 2017, 9 pages.
 Notice of Allowance for U.S. Appl. No. 29/548,334, dated Mar. 30, 2017, 8 pages.

* cited by examiner

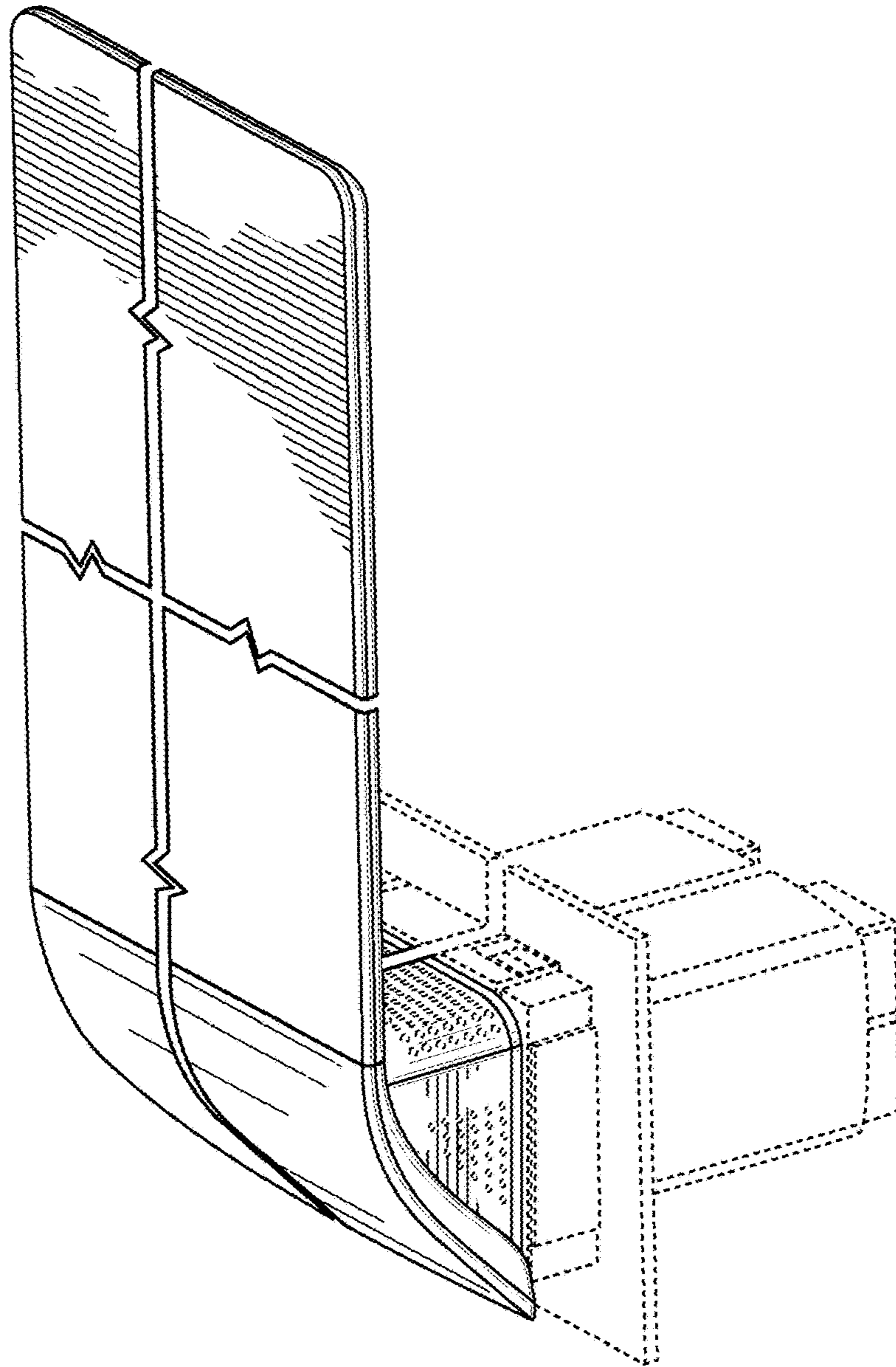


FIG. 1

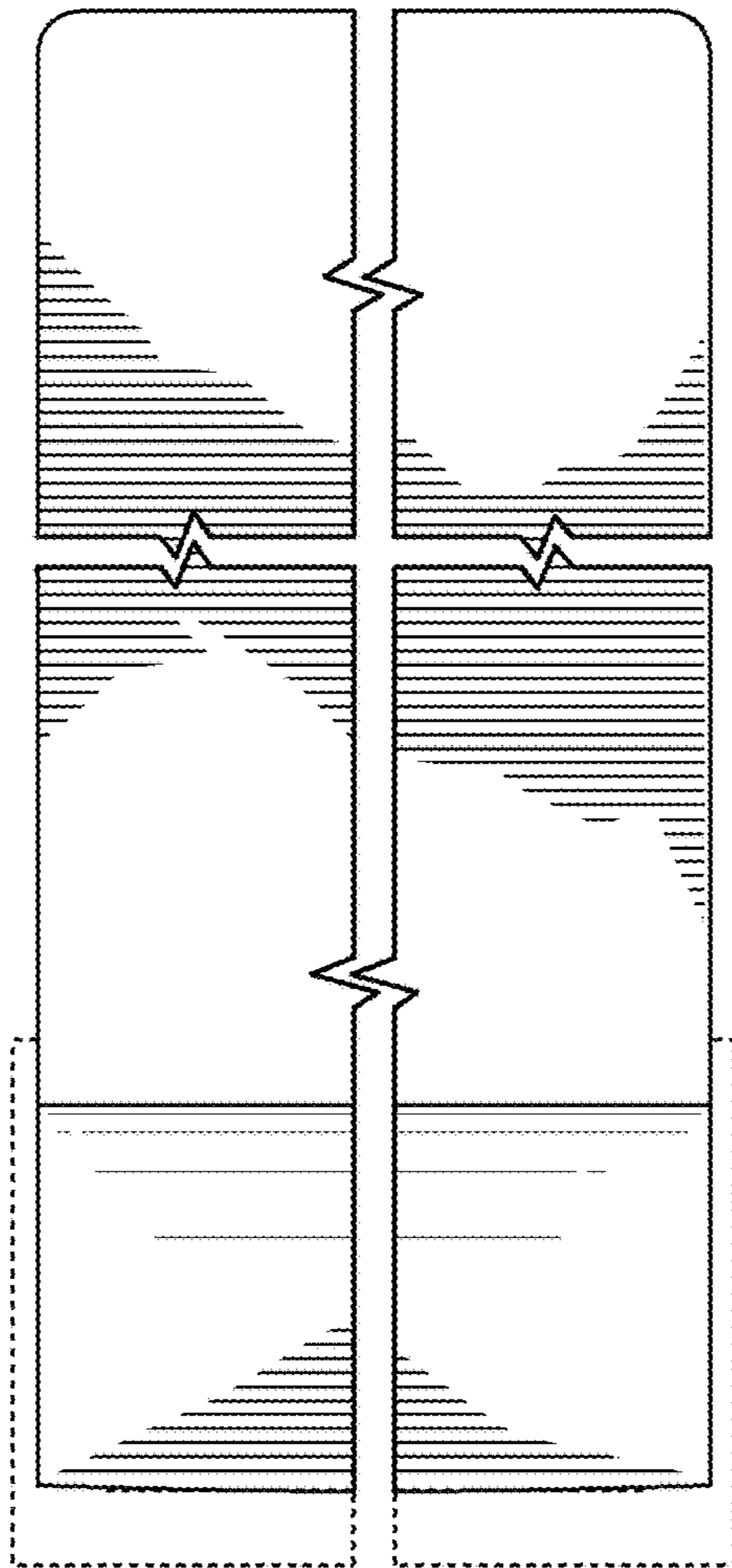


FIG. 2

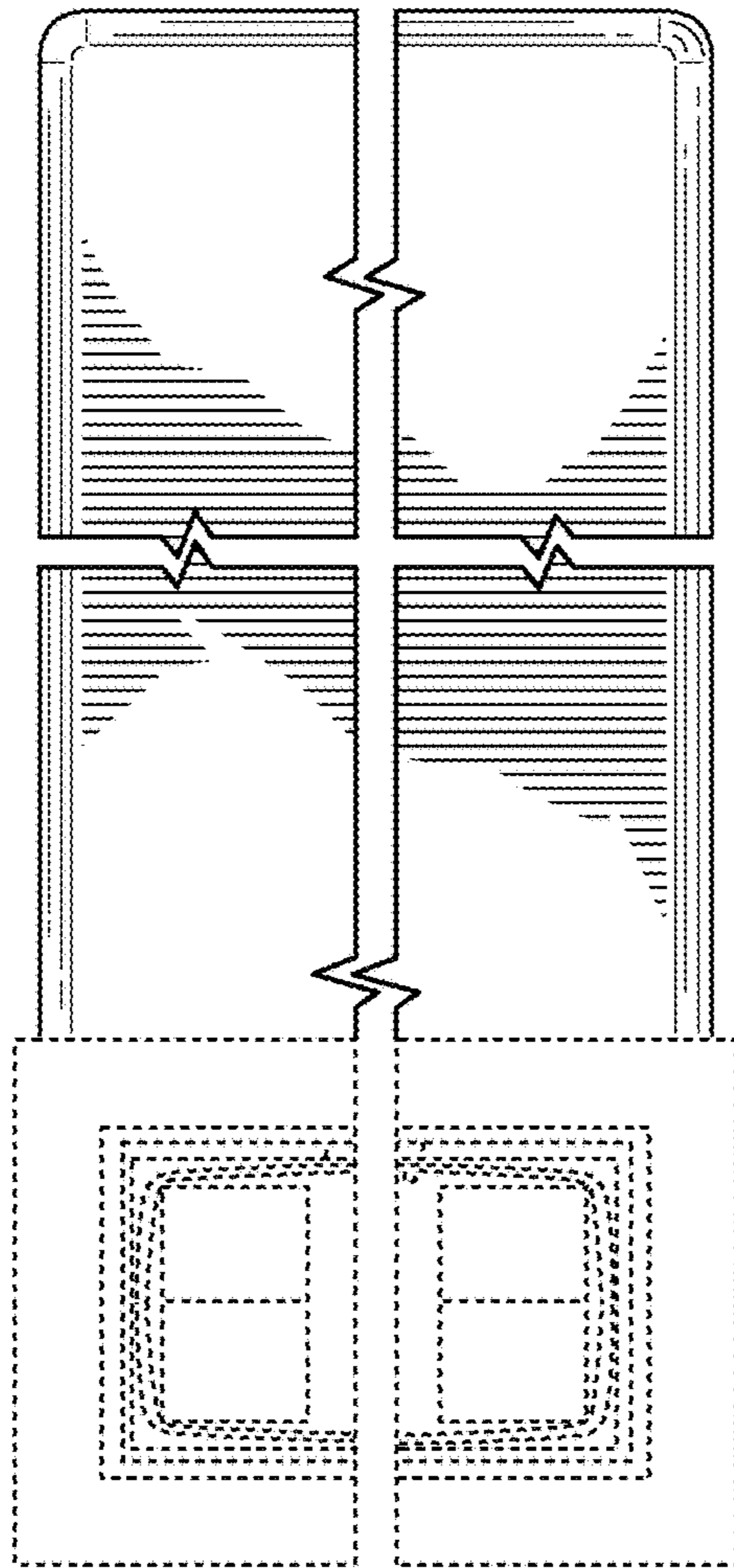


FIG. 3

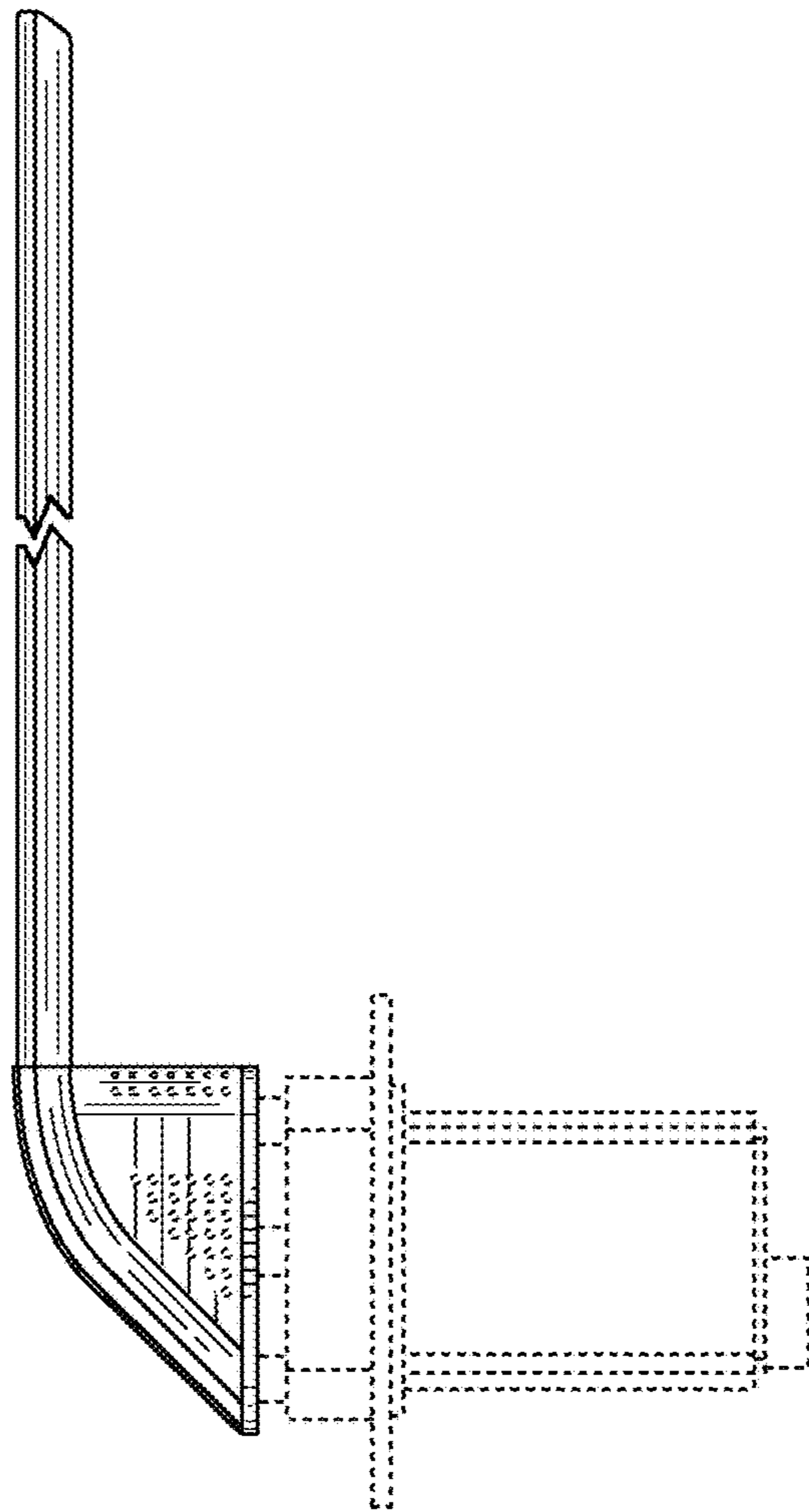


FIG. 4

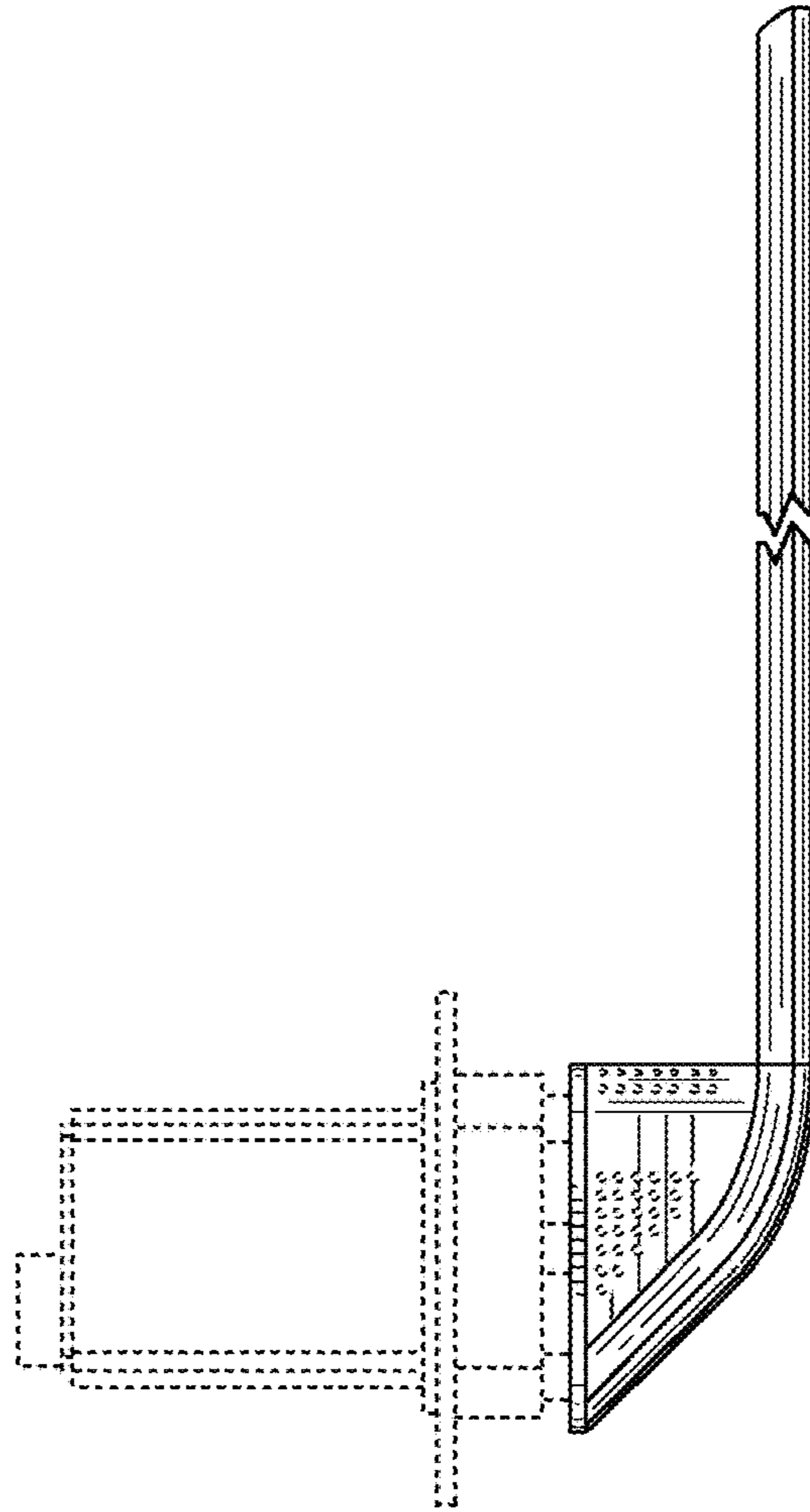


FIG. 5

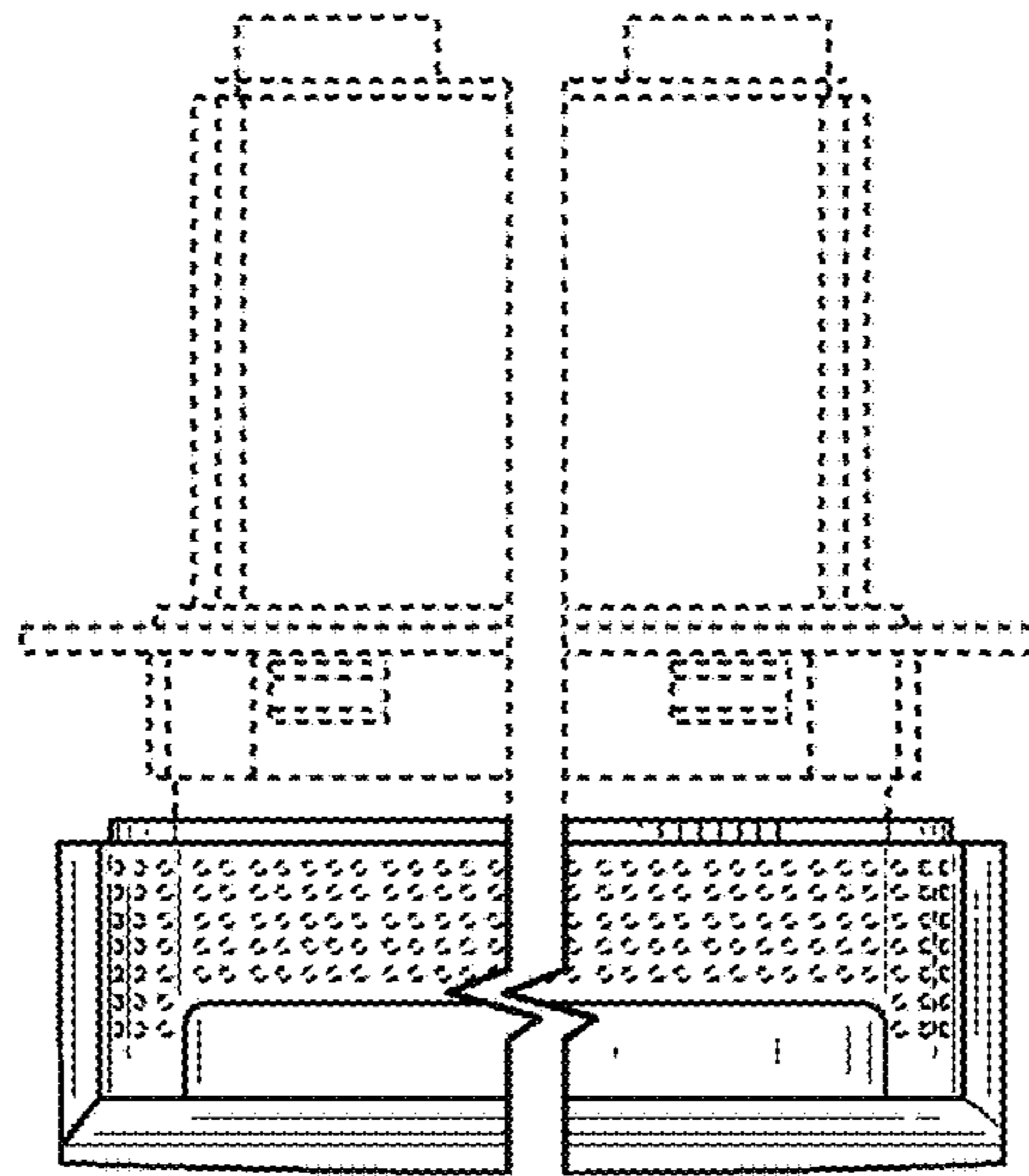


FIG. 6

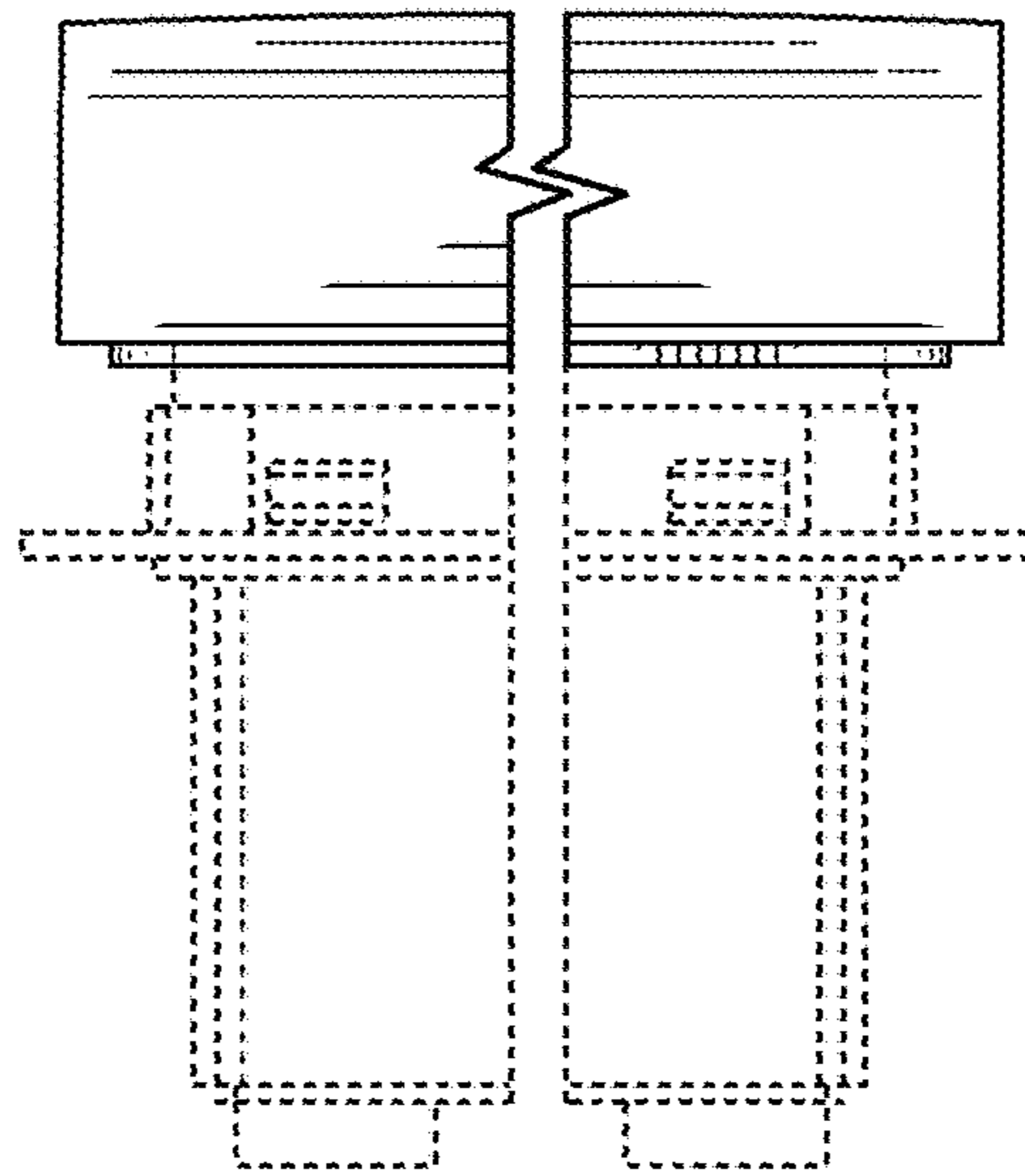


FIG. 7