



US00D843231S

(12) **United States Design Patent**
Manzoni

(10) **Patent No.:** **US D843,231 S**
(45) **Date of Patent:** **** Mar. 19, 2019**

- (54) **WATCH**
- (71) Applicant: **HUBLLOT SA, Geneve, Geneva (CH)**
- (72) Inventor: **Flavio Manzoni, Modena (IT)**
- (73) Assignee: **HUBLLOT SA, Genève, Genève (CH)**
- (**) Term: **15 Years**
- (21) Appl. No.: **29/613,197**
- (22) Filed: **Aug. 8, 2017**
- (30) **Foreign Application Priority Data**
Mar. 9, 2017 (WO) DM/095360
- (51) **LOC (11) Cl.** **10-02**
- (52) **U.S. Cl.**
USPC **D10/39**
- (58) **Field of Classification Search**
USPC D10/1-3, 6, 14-16, 23, 30-39, 41, 65,
D10/70, 122-132; D11/16, 40, 43, 75;
D14/171, 344
See application file for complete search history.

D692,322 S *	10/2013	Behling	D10/39
D724,962 S *	3/2015	Vaptzarof	D10/39
D736,103 S *	8/2015	Behling	D10/30
D743,814 S *	11/2015	Miodrag	D10/125
D744,354 S *	12/2015	Loth	D10/126
D744,864 S *	12/2015	Behling	D10/30
D744,866 S *	12/2015	Behling	D10/126
D747,982 S *	1/2016	Miodrag	D10/124
D748,500 S *	2/2016	Schwamkrug	D10/30
D751,421 S *	3/2016	Perret	D10/126
D755,061 S *	5/2016	Nakai	D10/32
D762,491 S *	8/2016	Okazaki	D10/126
D797,578 S *	9/2017	Modolo	D10/39
D815,961 S *	4/2018	Emmenegger	D10/30
2008/0304372 A1 *	12/2008	Seyr	G04B 19/283 368/309
2010/0135128 A1 *	6/2010	Penula	G04B 37/0008 368/281

* cited by examiner

Primary Examiner — Sandra S Snapp
Assistant Examiner — Katherine Glennon
(74) *Attorney, Agent, or Firm* — Sughrue Mion, PLLC

(57) **CLAIM**

The ornamental design for a watch, as shown and described.

DESCRIPTION

FIG. 1 is a front elevational view of a watch showing my new design;
FIG. 2 is a rear elevational view thereof;
FIG. 3 is a perspective view of a front and right side thereof;
FIG. 4 is a left side elevational view thereof;
FIG. 5 is a right side elevational view thereof;
FIG. 6 is a top plan view thereof; and,
FIG. 7 is a bottom plan view thereof.
The portions depicted by broken lines are shown for illustrative purposes only and form no part of the claimed design.

1 Claim, 7 Drawing Sheets

- (56) **References Cited**
U.S. PATENT DOCUMENTS
- 2,342,804 A * 2/1944 Hiller G04B 37/005
224/169
- D391,863 S * 3/1998 Houlihan D10/30
- D544,372 S * 6/2007 Seyr D10/32
- D578,902 S * 10/2008 Hoshino D10/128
- D578,922 S * 10/2008 Hoshino D10/128
- D653,128 S * 1/2012 Vaptzarof D10/39
- 8,366,313 B2 * 2/2013 Scioscia G04B 37/05
368/281
- D677,176 S * 3/2013 Ruffieux D10/39
- D682,713 S * 5/2013 Vaptzarof D10/39
- D691,902 S * 10/2013 Mille D10/39

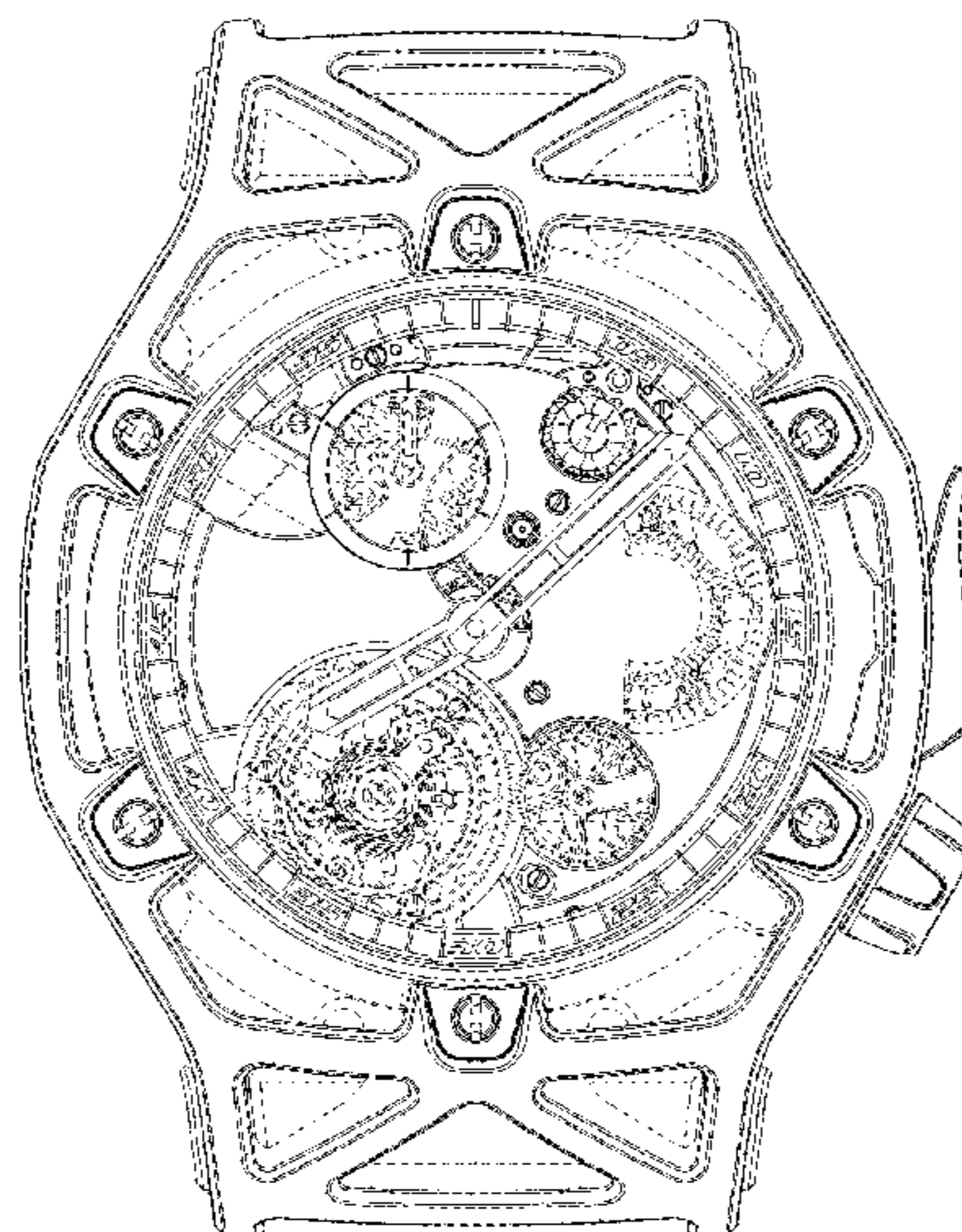




FIG. 1



FIG. 2

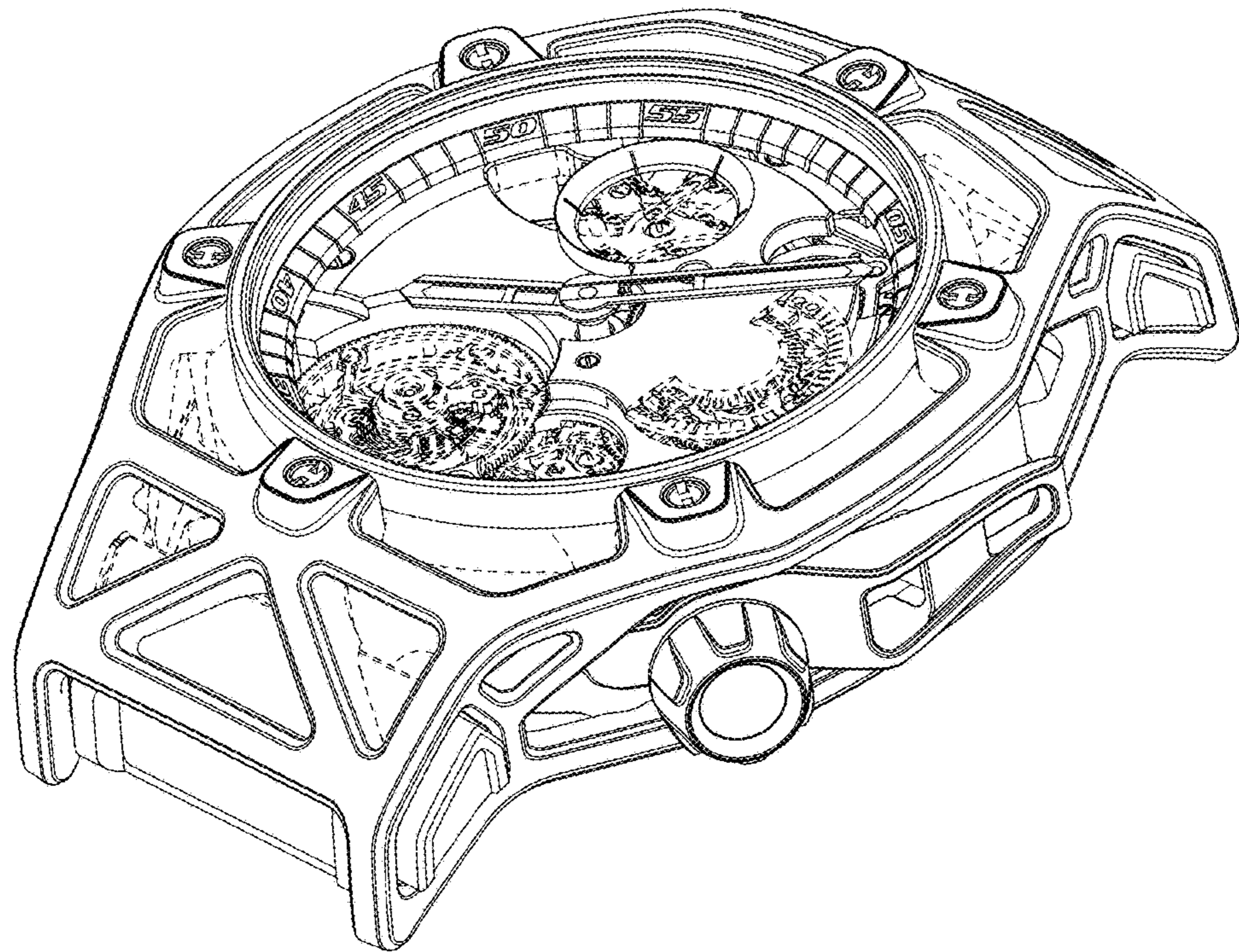


FIG. 3

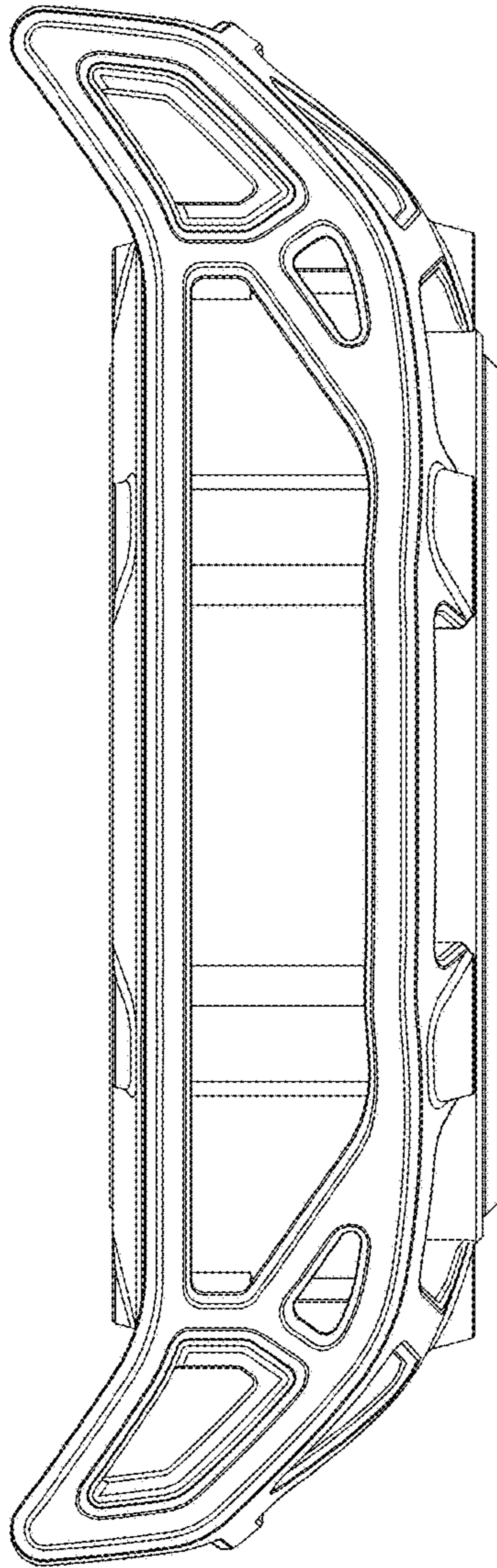


FIG. 4

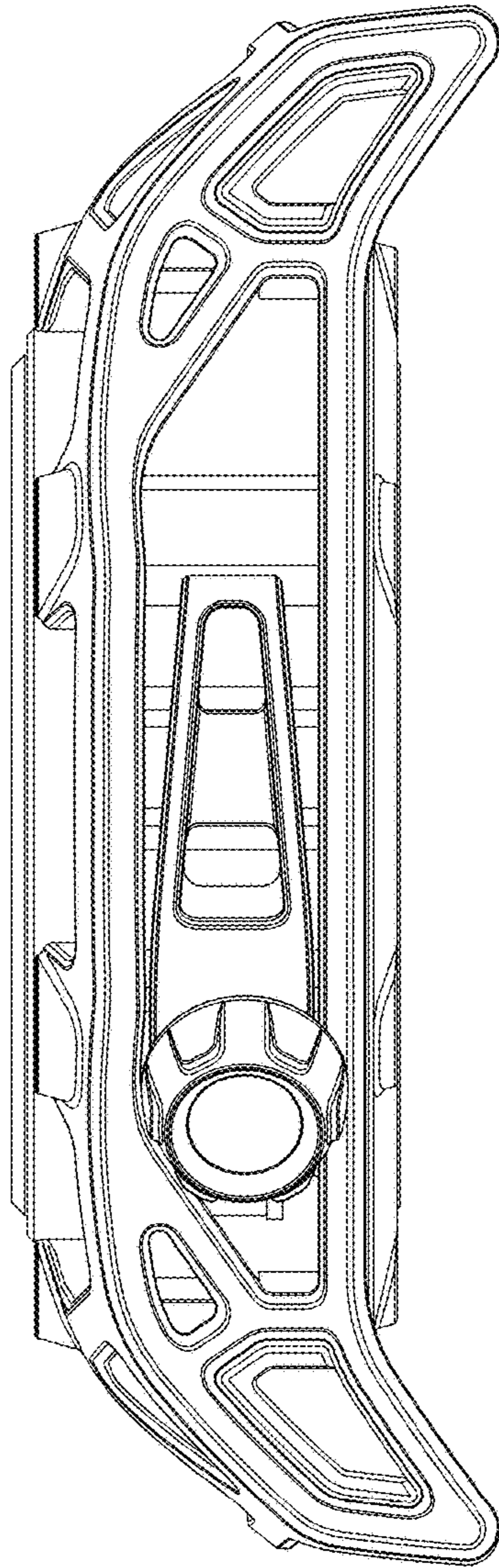


FIG. 5

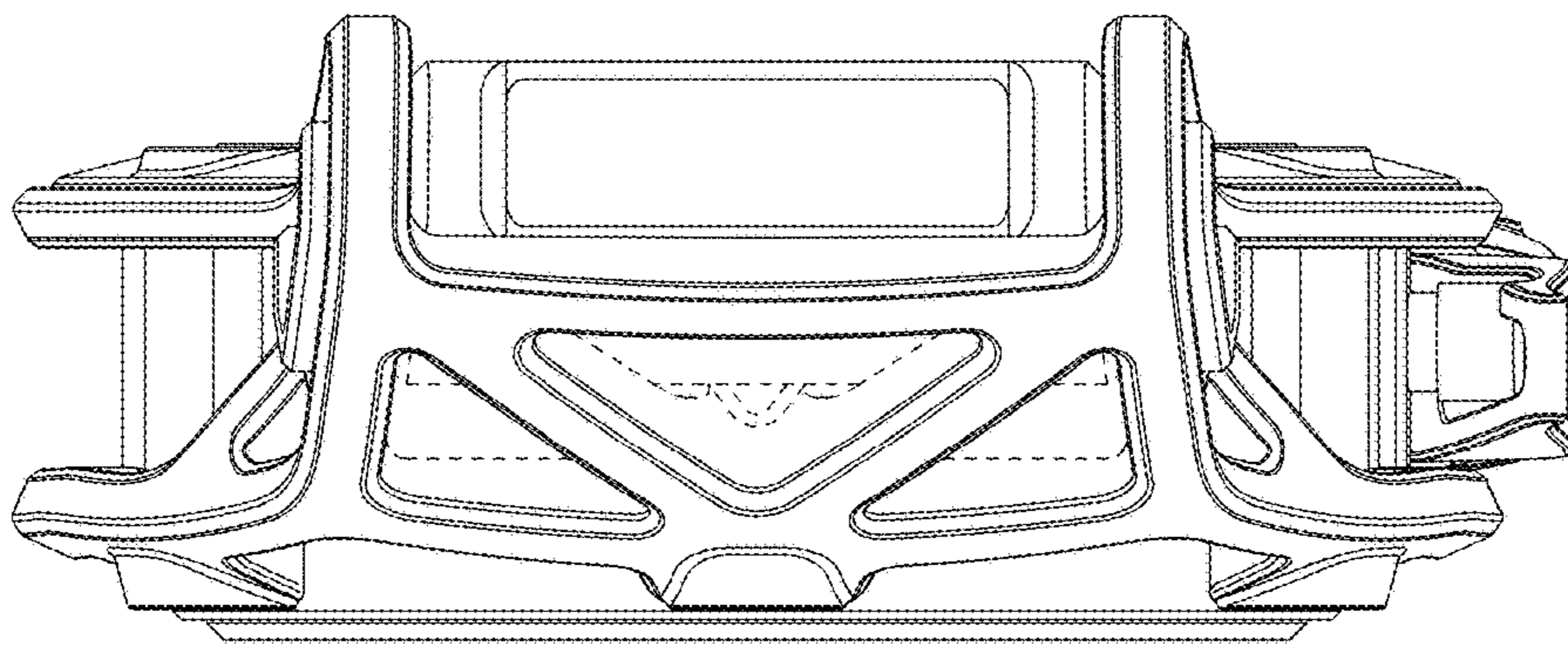


FIG. 6

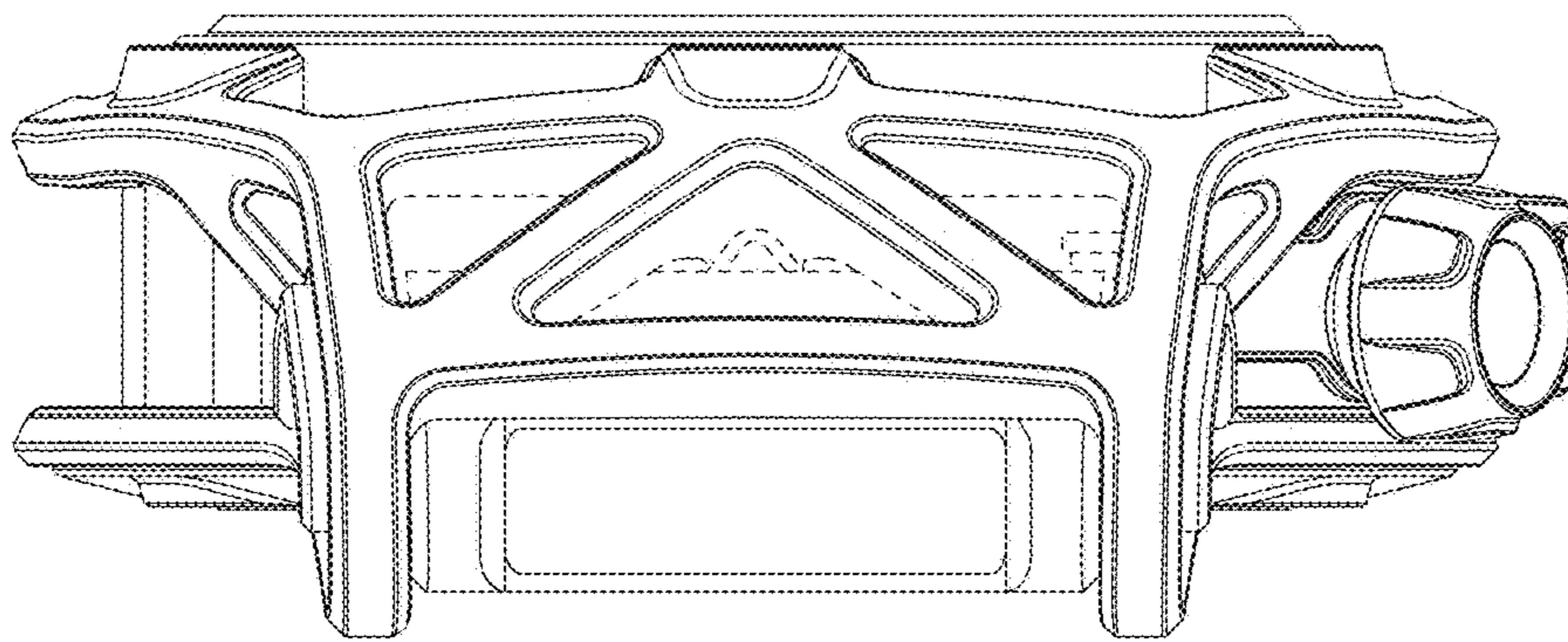


FIG. 7