



US00D843229S

(12) **United States Design Patent** (10) **Patent No.:** **US D843,229 S**
Miodrag (45) **Date of Patent:** **** Mar. 19, 2019**

(54) **WRISTWATCH**
(71) Applicant: **HUBLLOT SA, Genève, Geneva (CH)**
(72) Inventor: **Mijatovic Miodrag, Préverenges (CH)**
(73) Assignee: **HUBLLOT SA, Genève, Geneva (CH)**
(**) Term: **15 Years**
(21) Appl. No.: **29/611,130**
(22) Filed: **Jul. 19, 2017**

D682,713 S * 5/2013 Vaptzarof D10/39
D705,087 S * 5/2014 Monachon D10/31
D724,962 S * 3/2015 Vaptzarof D10/39
D725,500 S * 3/2015 Biver D10/124
D738,747 S * 9/2015 Calce D10/125
D744,354 S * 12/2015 Loth D10/126
D747,982 S * 1/2016 Miodrag D10/124
D751,421 S * 3/2016 Perret D10/126
D751,930 S * 3/2016 Miodrag D10/126
D756,245 S * 5/2016 Mille D10/126
D769,762 S * 10/2016 Behling D10/126
D781,723 S * 3/2017 Seals D10/38
D797,578 S * 9/2017 Modolo D10/39
D799,987 S * 10/2017 Mille D10/30
2013/0051198 A1* 2/2013 Sato G04B 19/065
368/235
2017/0031321 A1* 2/2017 Buttet G04B 19/06

(30) **Foreign Application Priority Data**

Mar. 9, 2017 (WO) 2659201

(51) **LOC (11) Cl.** **10-02**
(52) **U.S. Cl.**
USPC **D10/39**
(58) **Field of Classification Search**
USPC D10/1-3, 6, 14-16, 23, 30-39, 41, 65,
D10/70, 122-132; D11/16, 40, 43, 75;
D14/171, 344
See application file for complete search history.

* cited by examiner

Primary Examiner — Sandra S Snapp
Assistant Examiner — Katherine Glennon
(74) *Attorney, Agent, or Firm* — Sughrue Mion, PLLC

(57) **CLAIM**

The ornamental design for a wristwach, as shown and described.

(56) **References Cited**

U.S. PATENT DOCUMENTS

D434,987 S * 12/2000 Versace D10/30
D497,109 S * 10/2004 Itsubo D10/30
D514,454 S * 2/2006 Sekiguchi D10/30
D523,357 S * 6/2006 Kummer D10/38
D551,993 S * 10/2007 Kachi D10/38
D619,916 S * 7/2010 Tedeschi D10/126
D642,075 S * 7/2011 Crocco D10/39
D646,589 S * 10/2011 Mille D10/39
D648,639 S * 11/2011 Mille D10/39
D652,326 S * 1/2012 Kummer D10/38
D653,128 S * 1/2012 Vaptzarof D10/39
D659,028 S * 5/2012 Montandon D10/38
D663,222 S * 7/2012 Nakai D10/39

DESCRIPTION

FIG. 1 is a front elevational view of a wristwatch showing my new design;
FIG. 2 is a rear elevational view thereof;
FIG. 3 is a perspective view of the front and right side thereof;
FIG. 4 is a left side elevational view thereof;
FIG. 5 is a right side elevational view thereof;
FIG. 6 is a top plan view thereof; and,
FIG. 7 is a bottom plan view thereof.
The portions of the watch shown in broken lines forms no part of the claimed design.

1 Claim, 7 Drawing Sheets

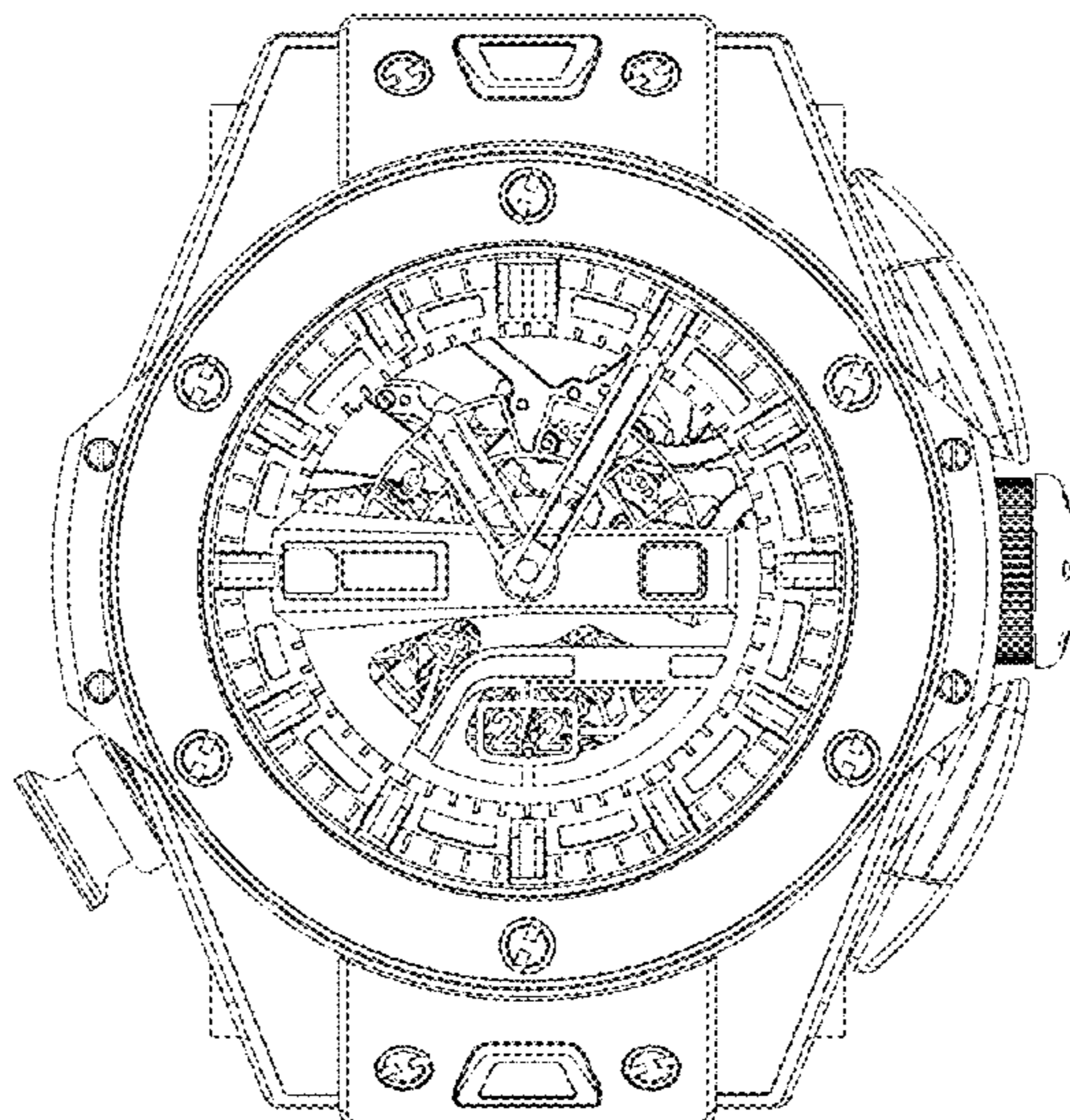




FIG. 1



FIG. 2

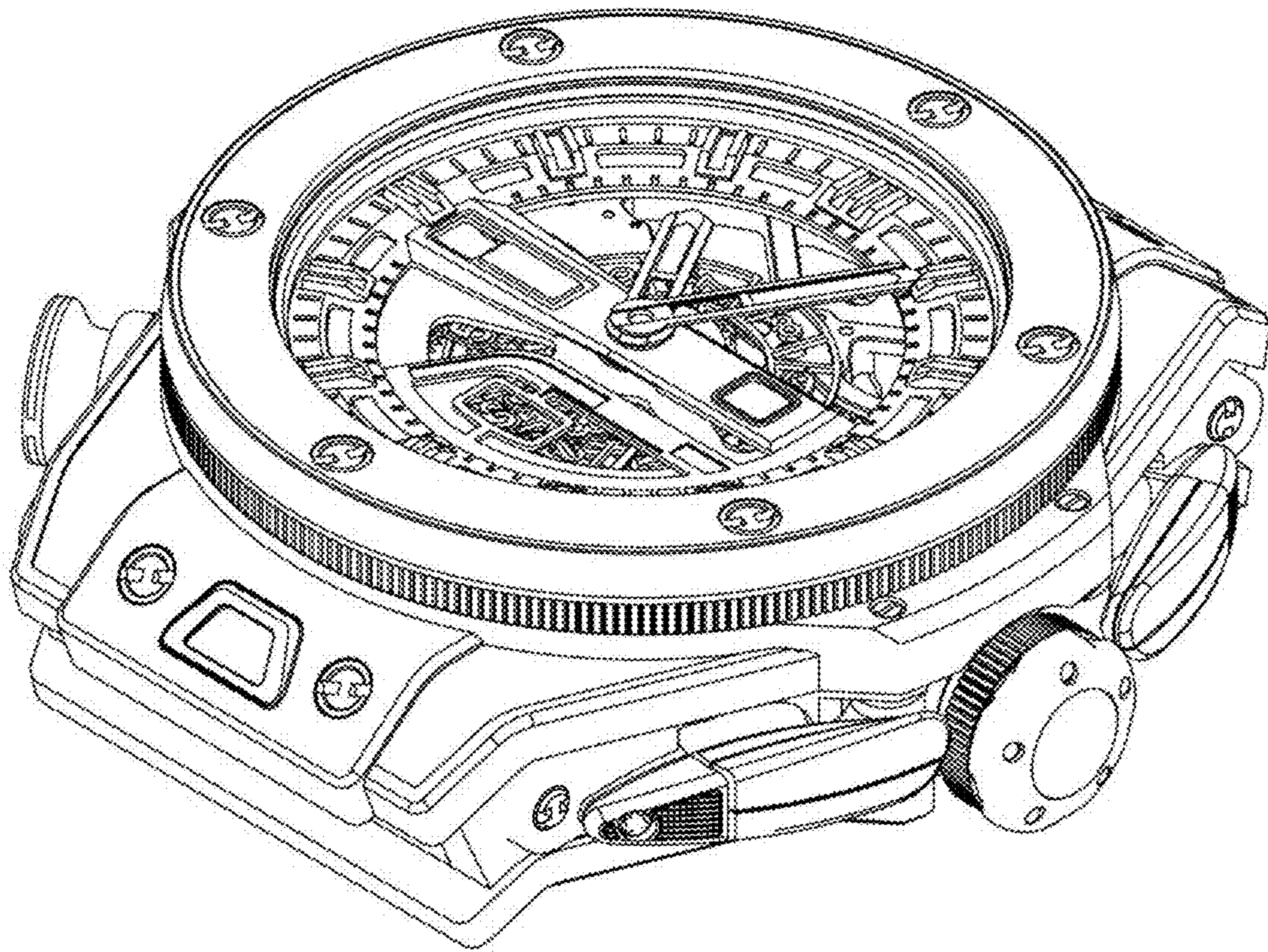


FIG. 3

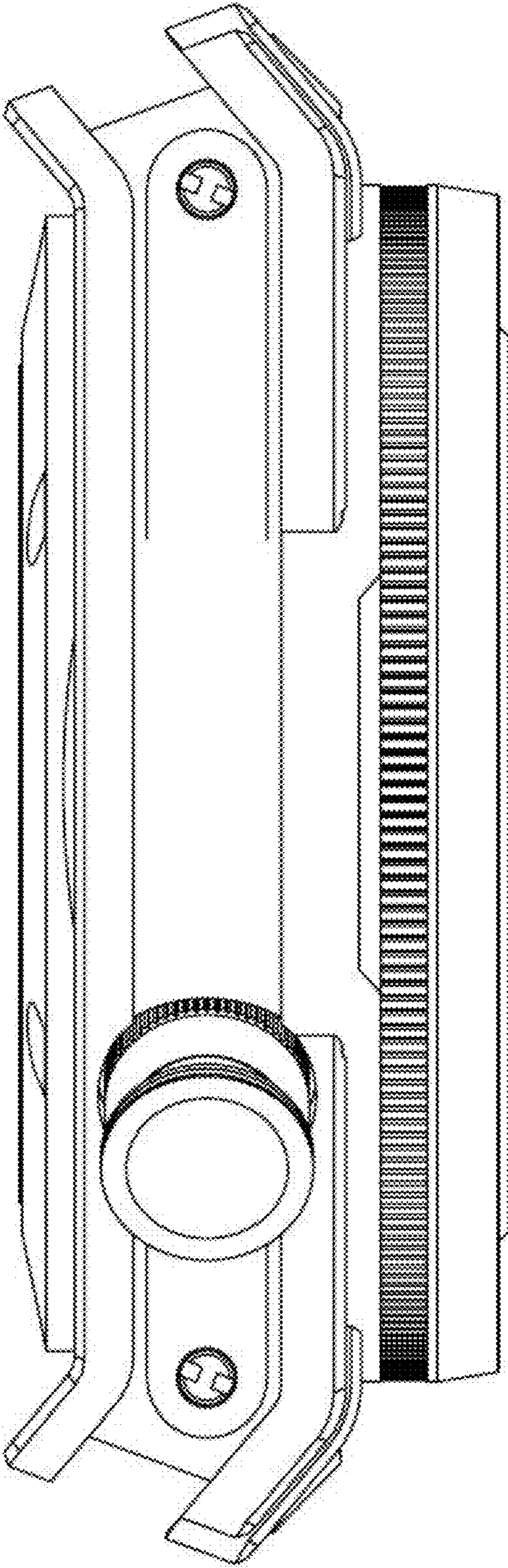


FIG. 4

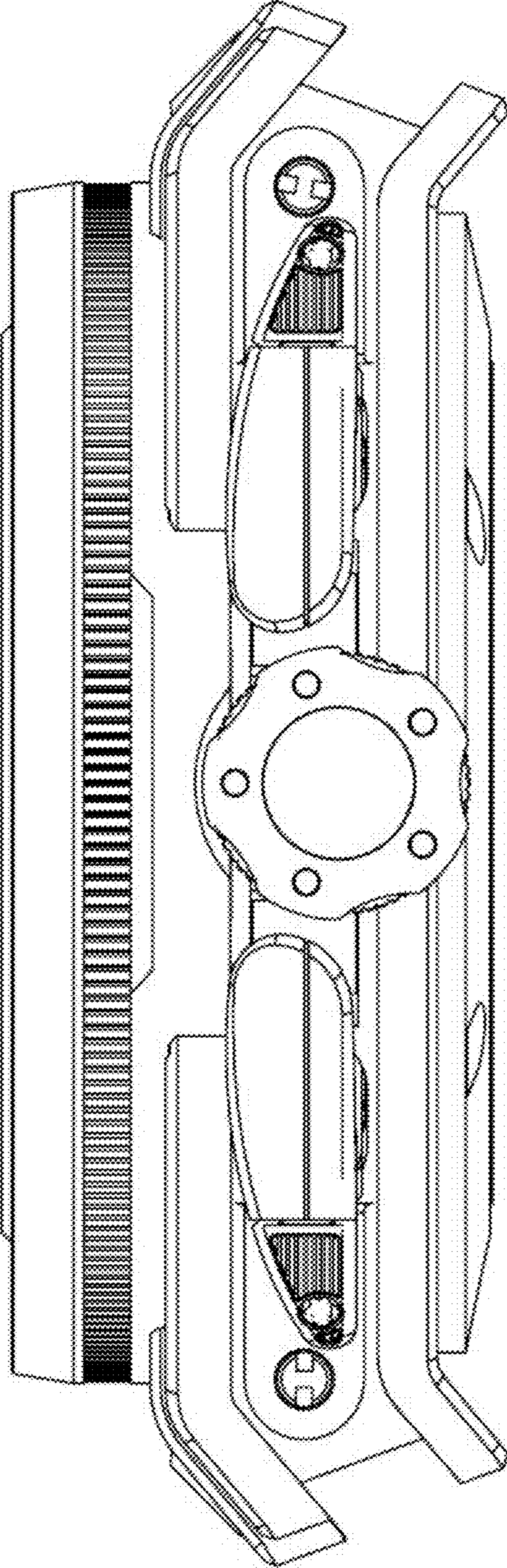


FIG. 5

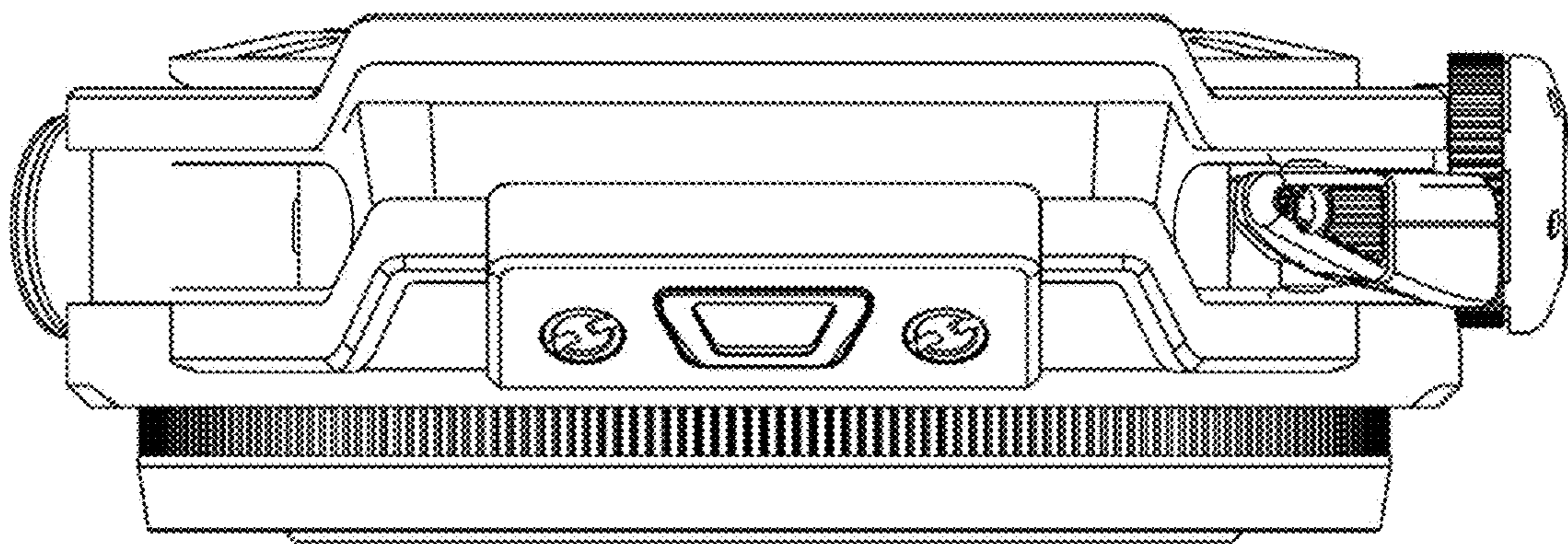


FIG. 6

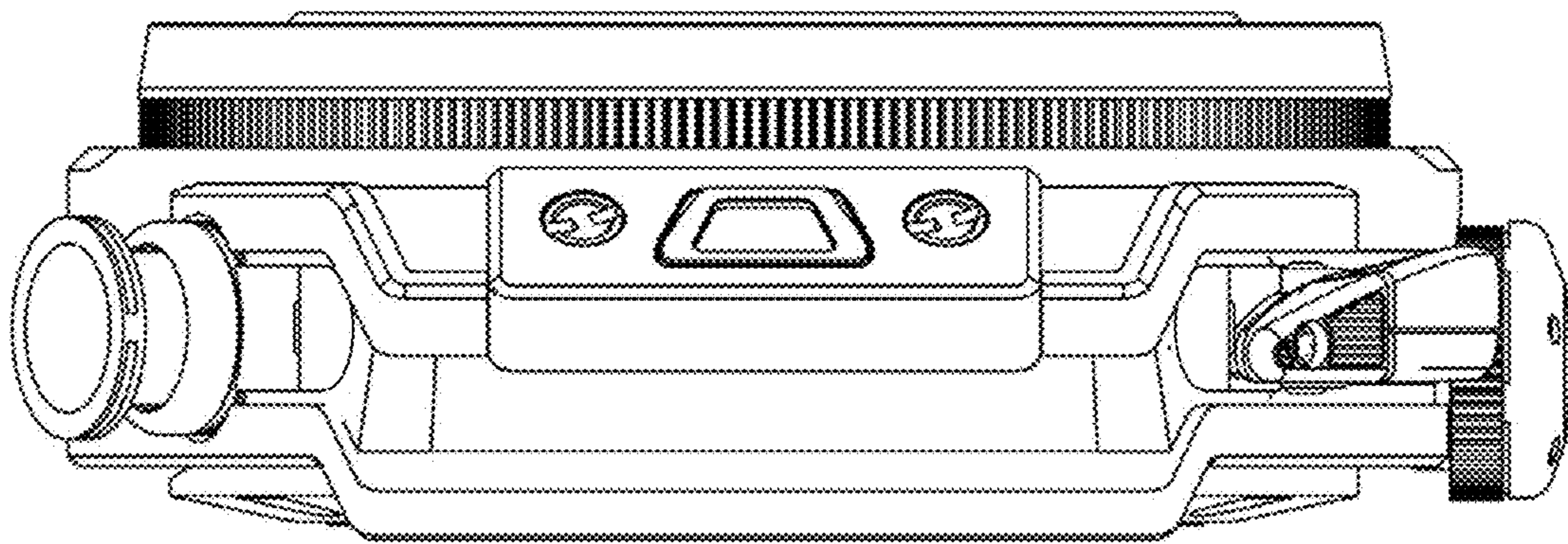


FIG. 7