



US00D843228S

(12) **United States Design Patent**  
**Miodrag**

(10) **Patent No.:** **US D843,228 S**  
(45) **Date of Patent:** **\*\* Mar. 19, 2019**

(54) **WRISTWATCH**

(71) Applicant: **HUBLLOT SA, Genève, Genève (CH)**

(72) Inventor: **Mijatovic Miodrag, Préverenges (CH)**

(73) Assignee: **HUBLLOT SA, Genève, Geneva (CH)**

(\*\*) Term: **15 Years**

(21) Appl. No.: **29/611,137**

(22) Filed: **Jul. 19, 2017**

(30) **Foreign Application Priority Data**

Mar. 9, 2017 (WO) ..... 2659201

(51) **LOC (11) Cl.** ..... **10-02**

(52) **U.S. Cl.**  
USPC ..... **D10/32**

(58) **Field of Classification Search**  
USPC ..... D10/30-39, 42, 122-124, 126, 128;  
D11/3; D14/344; D99/28, 99; D24/167,  
D24/186

See application file for complete search history.

(56) **References Cited**

**U.S. PATENT DOCUMENTS**

3,702,670	A *	11/1972	Luft	.....	A44C 5/0061 224/173
D334,150	S *	3/1993	Cuddeback	.....	D11/3
D404,676	S *	1/1999	Sayama	.....	D11/5
D407,340	S *	3/1999	Moriai	.....	D11/3
D409,940	S *	5/1999	Spandrio	.....	D11/3
D410,406	S *	6/1999	Iwamoto	.....	D11/3
D497,827	S *	11/2004	Yamamoto	.....	D11/19
D523,357	S *	6/2006	Kummer	.....	D10/38
D550,101	S *	9/2007	Umebayashi	.....	D10/32
D582,793	S *	12/2008	Lalo	.....	D10/38
D642,075	S *	7/2011	Crocco	.....	D10/39
D652,326	S *	1/2012	Kummer	.....	D10/38

D659,028	S *	5/2012	Montandon	.....	D10/38
D674,294	S *	1/2013	Vaptzarof	.....	D10/38
D682,713	S *	5/2013	Vaptzarof	.....	D10/39
D704,573	S *	5/2014	Tedeschi	.....	D10/39
D707,137	S *	6/2014	Tedeschi	.....	D10/39
D710,736	S *	8/2014	Goto	.....	D10/32
D711,760	S *	8/2014	Savoy	.....	D10/32
D711,761	S *	8/2014	Savoy	.....	D10/32
D724,961	S *	3/2015	Vaptzarof	.....	D10/124

(Continued)

**OTHER PUBLICATIONS**

Hublot Big Bang Unico Golf | posted at luxois.com Oct. 2017 © 2006-2015 Luxois.com [online][site visited Jun. 25, 2018]. Available from internet: <<http://www.luxois.com/news/hublot-big-bang-unico-golf/2341>> (Year: 2017).\*

*Primary Examiner* — Sandra S Snapp

*Assistant Examiner* — Katherine Glennon

(74) *Attorney, Agent, or Firm* — Sughrue Mion, PLLC

(57) **CLAIM**

The ornamental design for a wristwatch, as shown and described.

**DESCRIPTION**

FIG. 1 is a front elevational view of a of a wristwatch showing my new design;

FIG. 2 is a perspective view of the front and right side thereof;

FIG. 3 is a perspective view of the rear and right side;

FIG. 4 is a rear elevational view thereof;

FIG. 5 is a right side elevational view thereof;

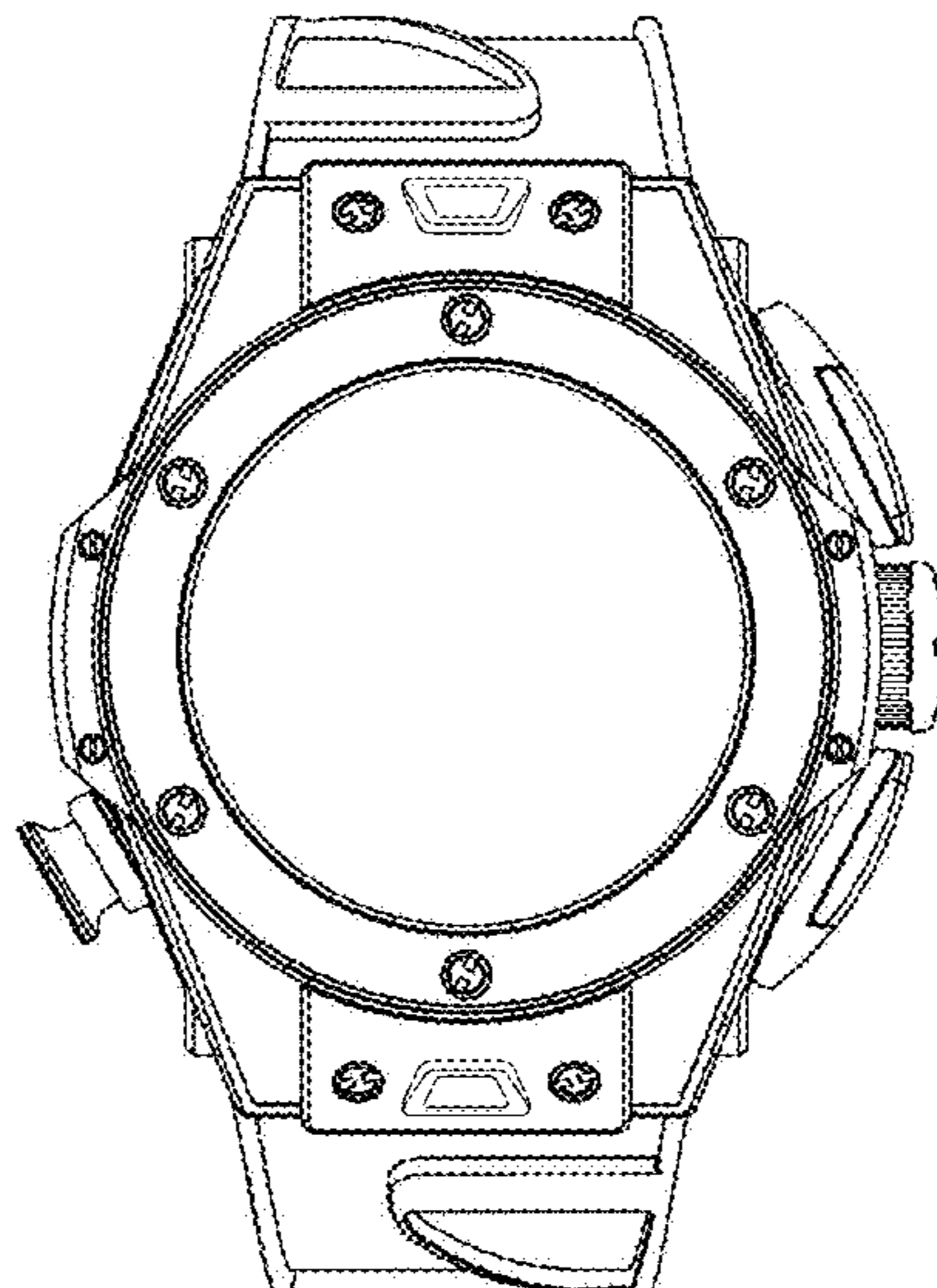
FIG. 6 is a left side elevational view thereof;

FIG. 7 is a bottom plan view thereof; and,

FIG. 8 is a top plan view thereof.

The portions of the watch shown in broken lines form no part of the claimed design.

**1 Claim, 8 Drawing Sheets**



(56)

**References Cited**

U.S. PATENT DOCUMENTS

D724,962 S \* 3/2015 Vaptzarof ..... D10/39  
D725,500 S \* 3/2015 Biver ..... D10/124  
D751,930 S \* 3/2016 Miodrag ..... D10/126  
2009/0274015 A1\* 11/2009 Sun ..... A44C 5/0053  
368/282  
2014/0078871 A1\* 3/2014 Savoy ..... A44C 5/00  
368/282

\* cited by examiner

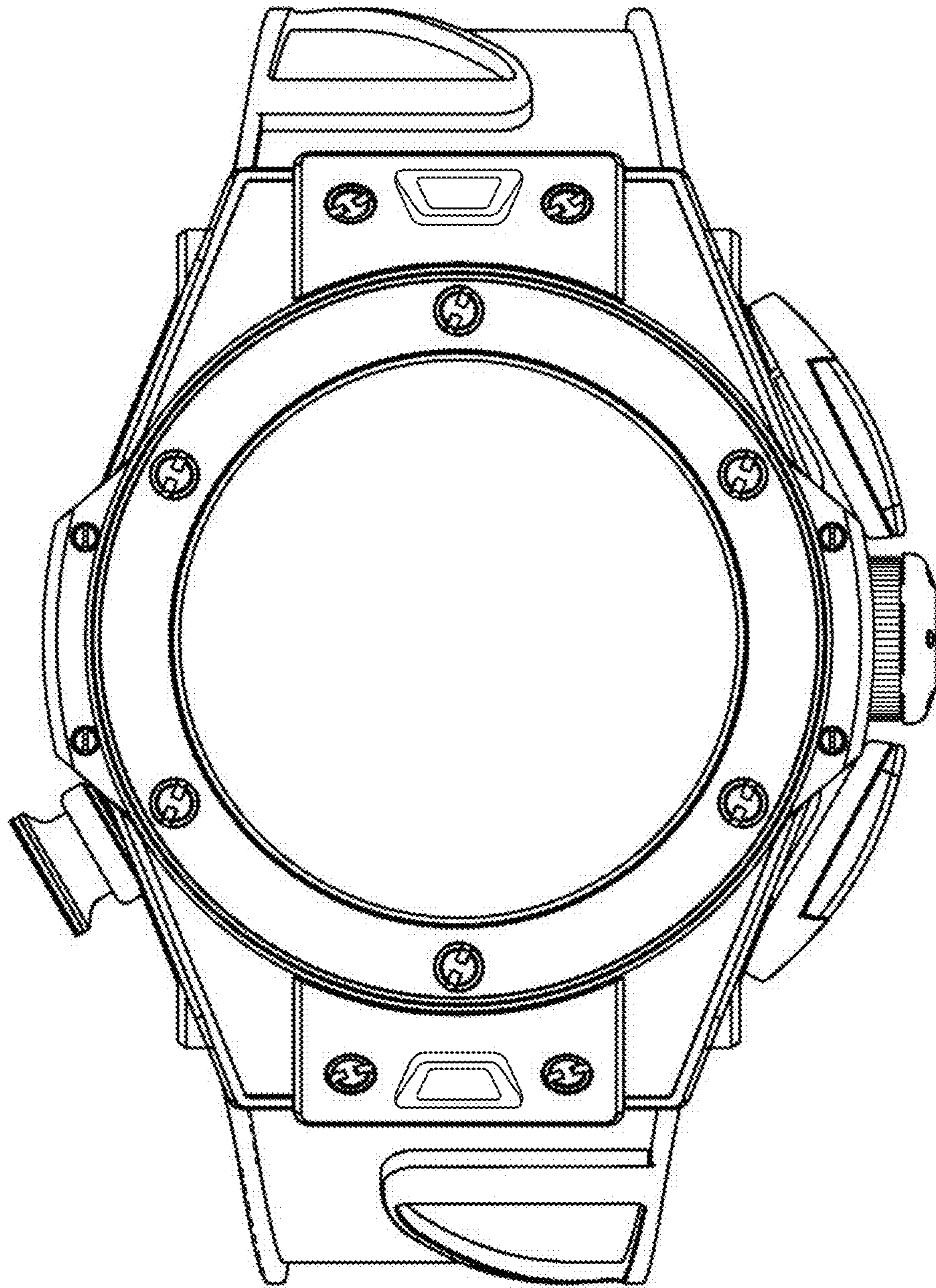


FIG. 1



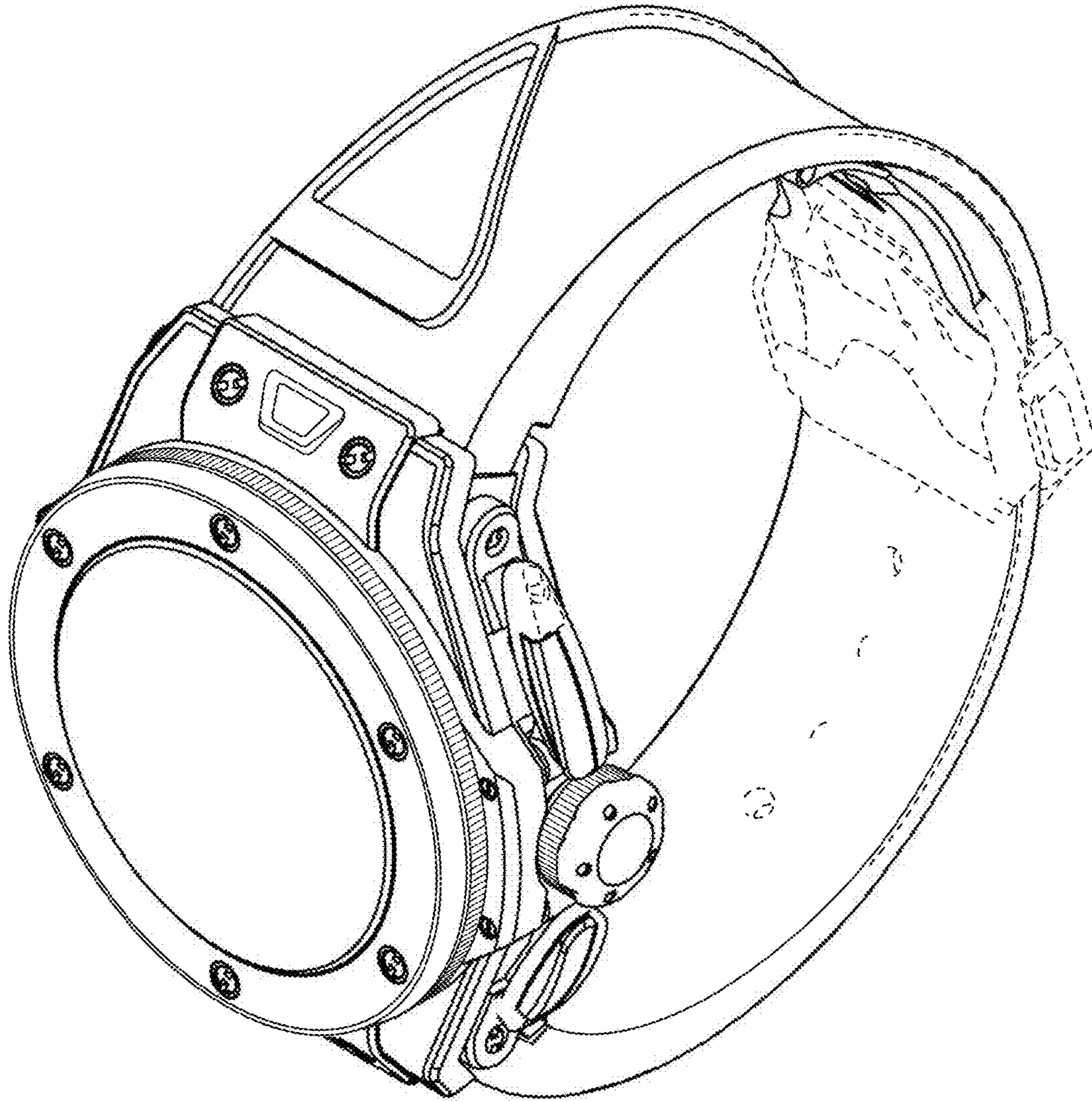


FIG. 2

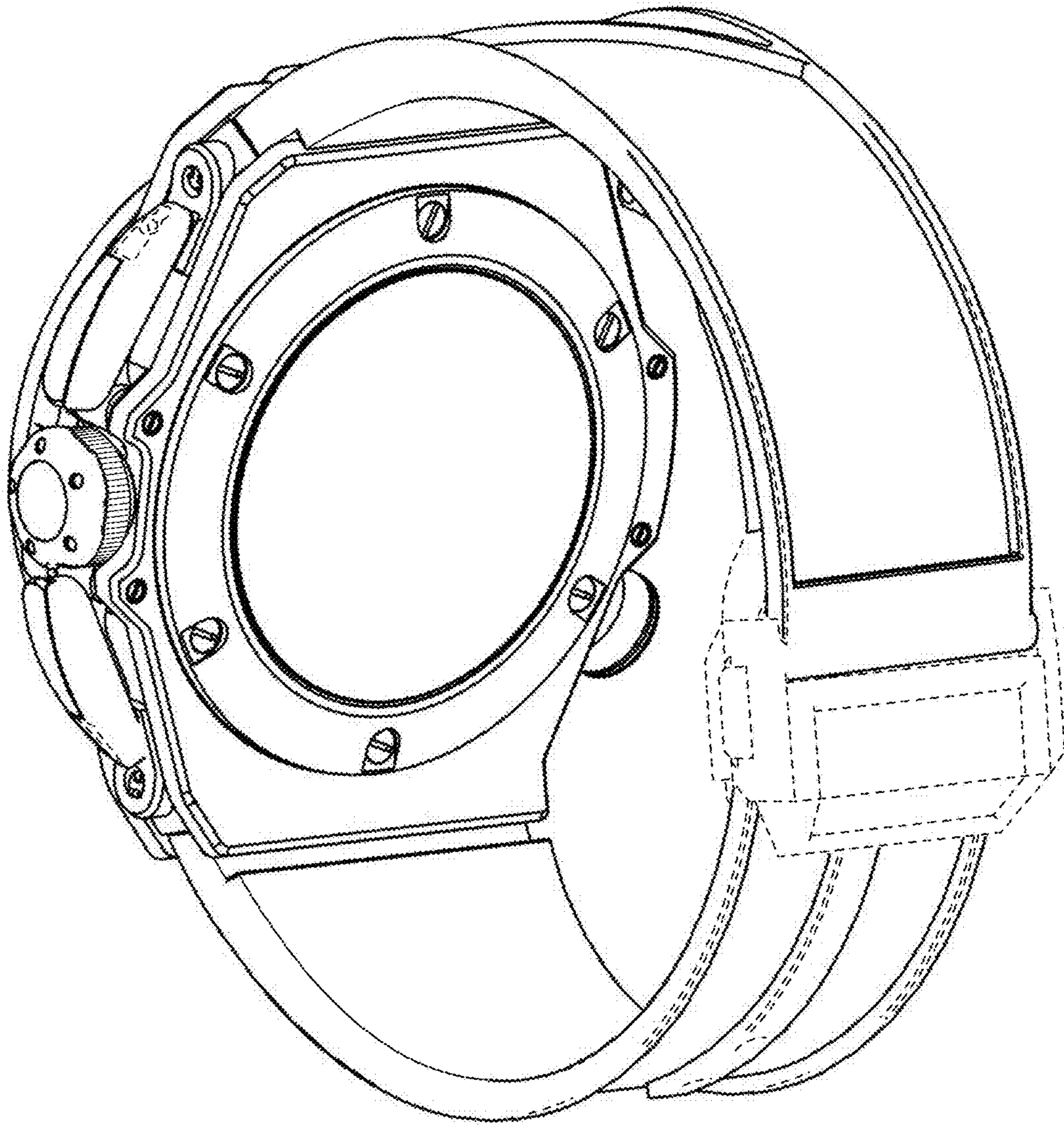


FIG. 3



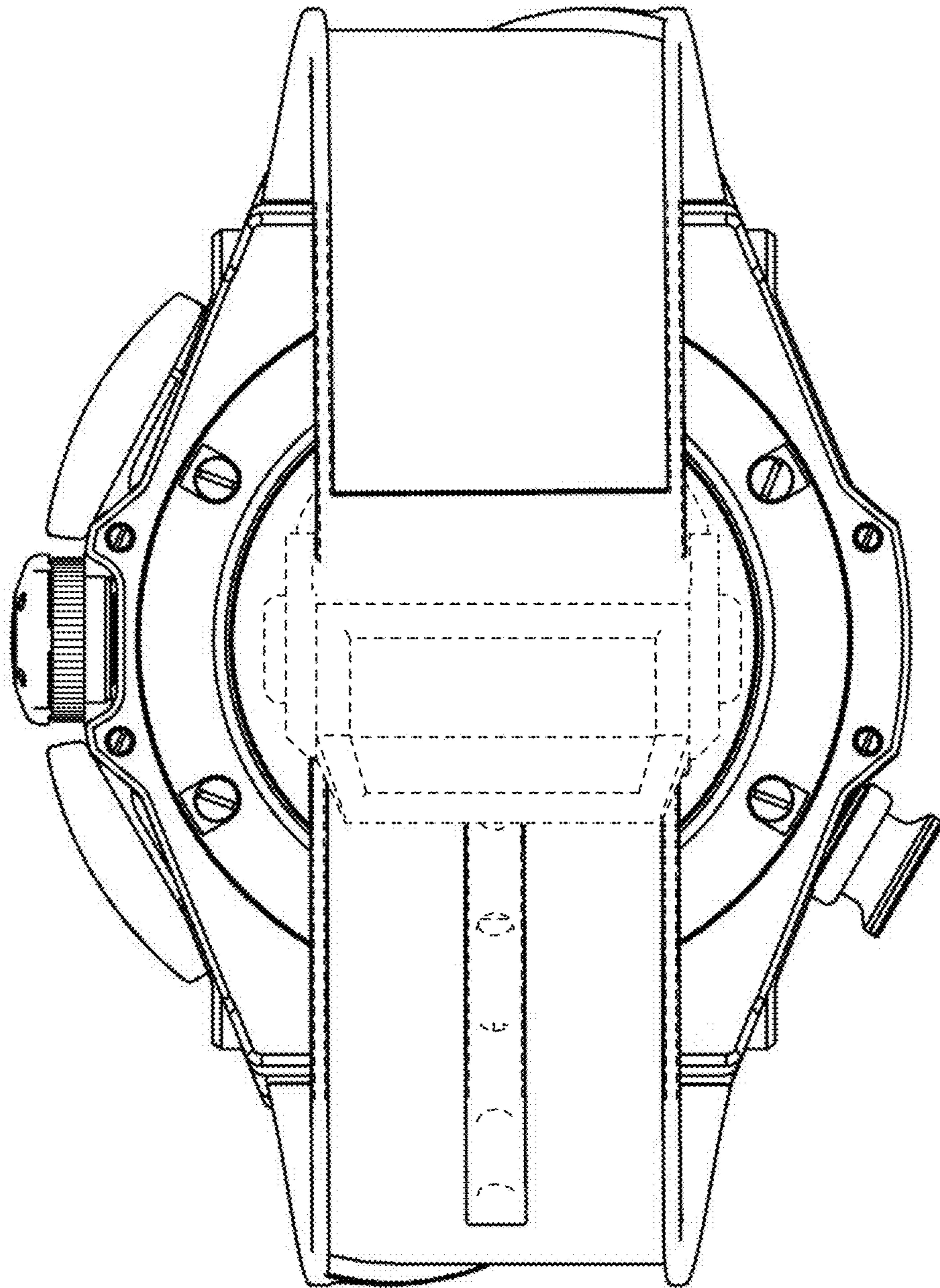


FIG. 4

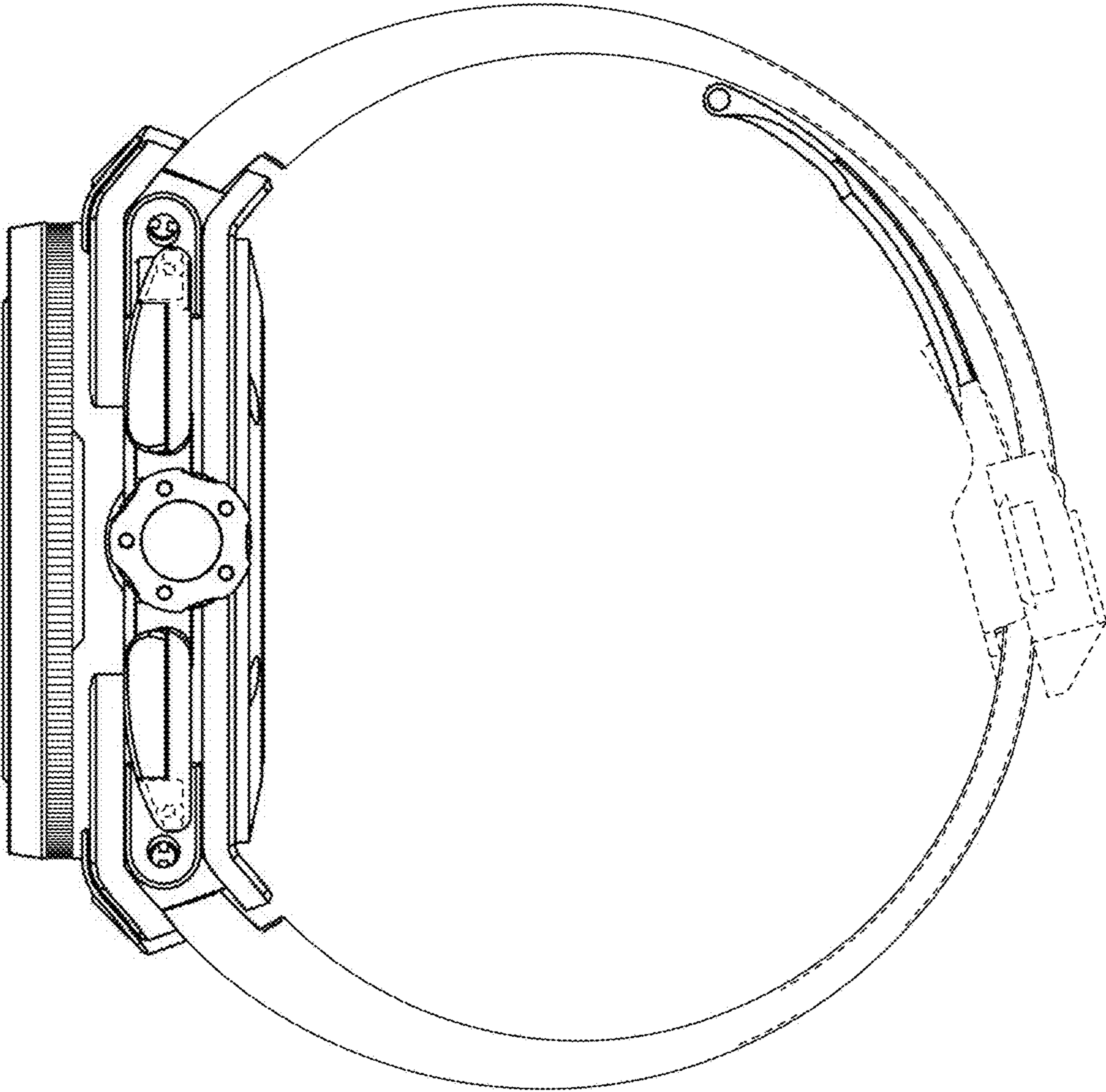


FIG. 5

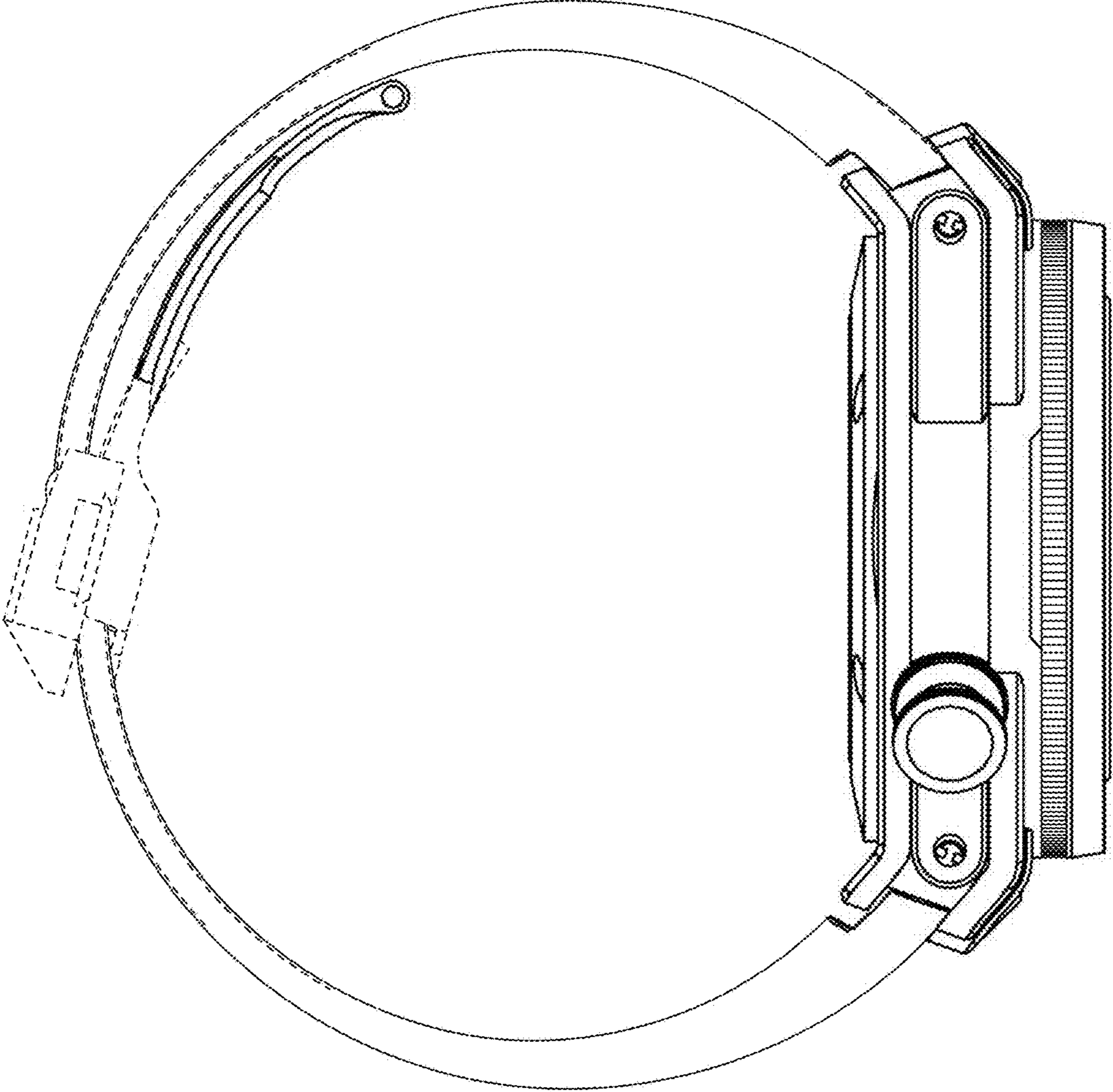


FIG. 6



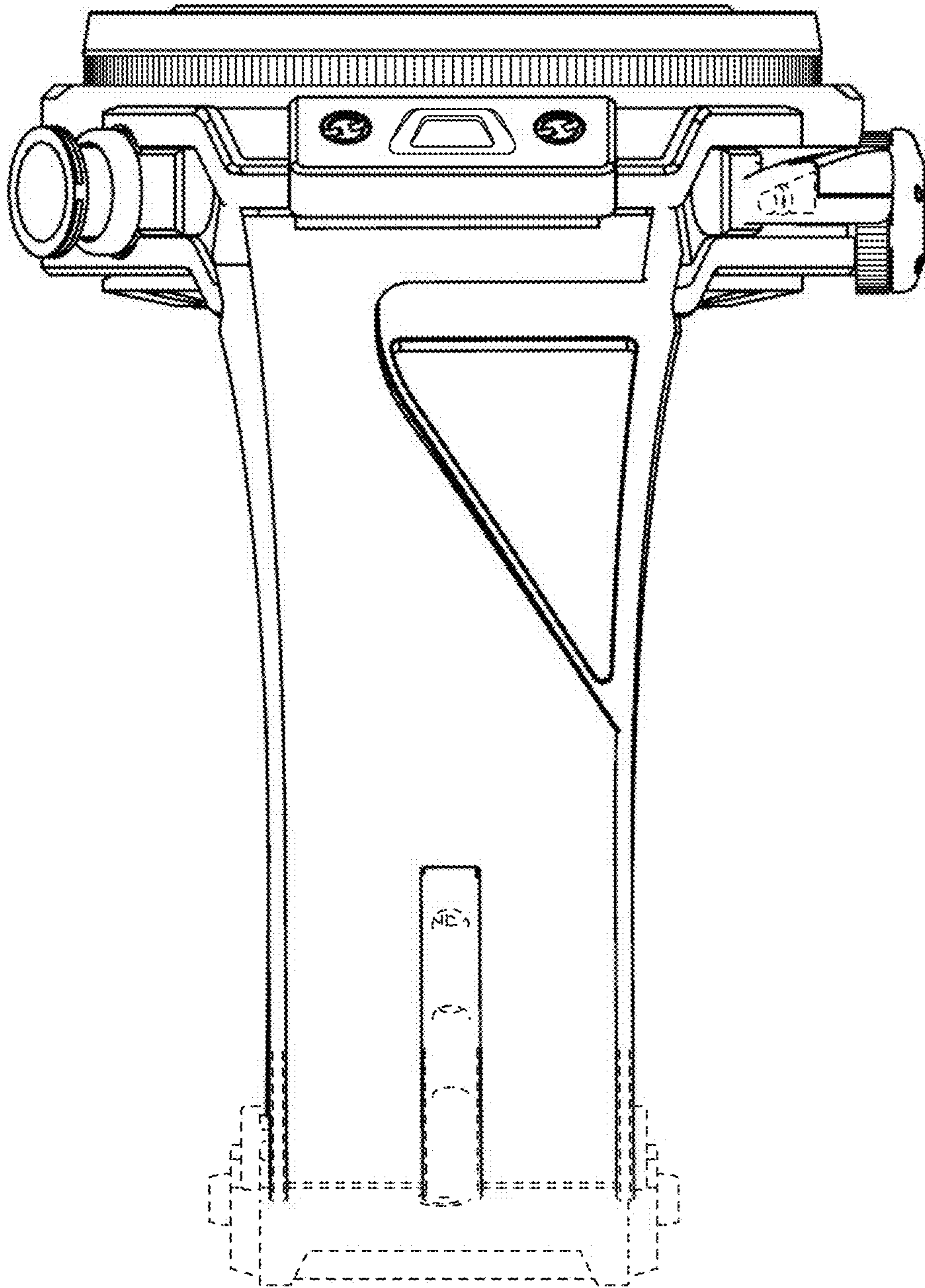


FIG. 7

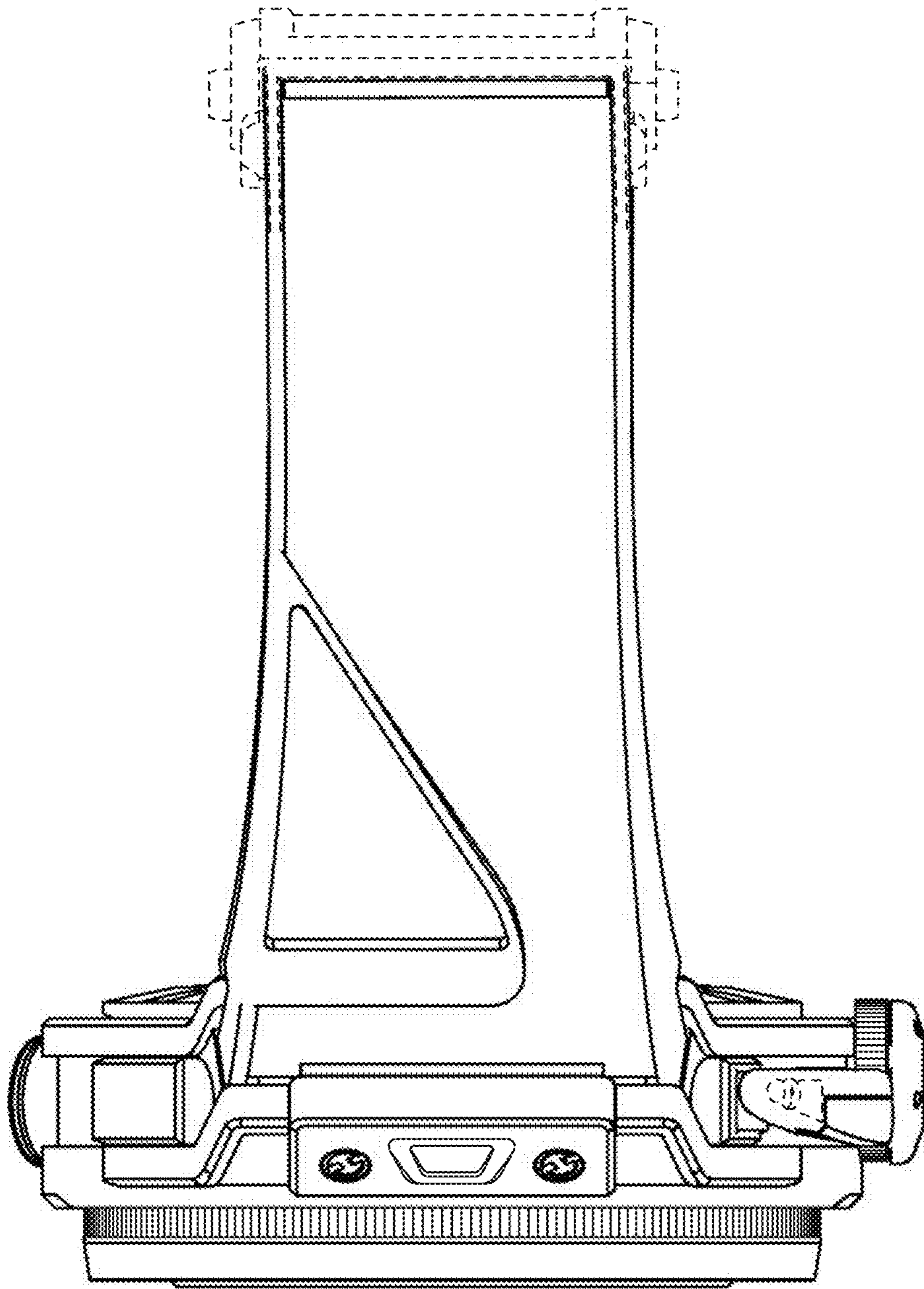


FIG. 8