



US00D843227S

(12) **United States Design Patent**
Miodrag

(10) **Patent No.:** **US D843,227 S**
(45) **Date of Patent:** **** Mar. 19, 2019**

(54) **WATCH CASE**

(71) Applicant: **HUBLLOT SA, Genève, Geneva (CH)**

(72) Inventor: **Mijatovic Miodrag, Préverenges (CH)**

(73) Assignee: **HUBLLOT SA, Genève, Geneva (CH)**

(**) Term: **15 Years**

(21) Appl. No.: **29/613,199**

(22) Filed: **Aug. 8, 2017**

(30) **Foreign Application Priority Data**

Mar. 9, 2017 (WO) DM/095360

(51) **LOC (11) Cl.** **10-02**

(52) **U.S. Cl.**
USPC **D10/30**

(58) **Field of Classification Search**
USPC D10/1-3, 6, 14-16, 23, 30-39, 41, 65,
D10/70, 122-132; D11/16, 40, 43, 75;
D14/171, 344

See application file for complete search history.

(56) **References Cited**

U.S. PATENT DOCUMENTS

D336,859 S *	6/1993	Muller	D10/30
D362,629 S *	9/1995	Muller	D10/30
D464,575 S *	10/2002	Roth	D10/30
D485,776 S *	1/2004	Martin	D10/128
D514,454 S *	2/2006	Sekiguchi	D10/30
D550,572 S *	9/2007	Klein	D10/38
D606,888 S *	12/2009	Mille	D10/38
D617,211 S *	6/2010	Grimoldi	D10/38
D621,725 S *	8/2010	Wu	D10/20
D623,549 S *	9/2010	Yan	D10/128

D624,441 S *	9/2010	Jarvis	D10/38
D626,018 S *	10/2010	Yan	D10/38
D637,920 S *	5/2011	Parmigiani	D10/38
D673,464 S *	1/2013	Perko	D10/38
D680,886 S *	4/2013	Chiang	D10/39
D707,573 S *	6/2014	Mille	D10/39
D730,198 S *	5/2015	Perko	D10/31
D789,806 S *	6/2017	Mille	D10/30
D810,739 S *	2/2018	Mitsugi	D14/344

OTHER PUBLICATIONS

Hublot MP-09 Tourbillon Bi-Axis | posted at hodinkee.com Mar. 22, 2017 © 2009-2018, Hodinkee Inc. [online][site visited May 14, 2018]. Available from internet: <<https://www.hodinkee.com/articles/hublot-mp-09-tourbillon-bi-axis-introducing>> (Year: 2017).*

* cited by examiner

Primary Examiner — Sandra S Snapp
Assistant Examiner — Katherine Glennon
(74) *Attorney, Agent, or Firm* — Sughrue Mion, PLLC

(57) **CLAIM**

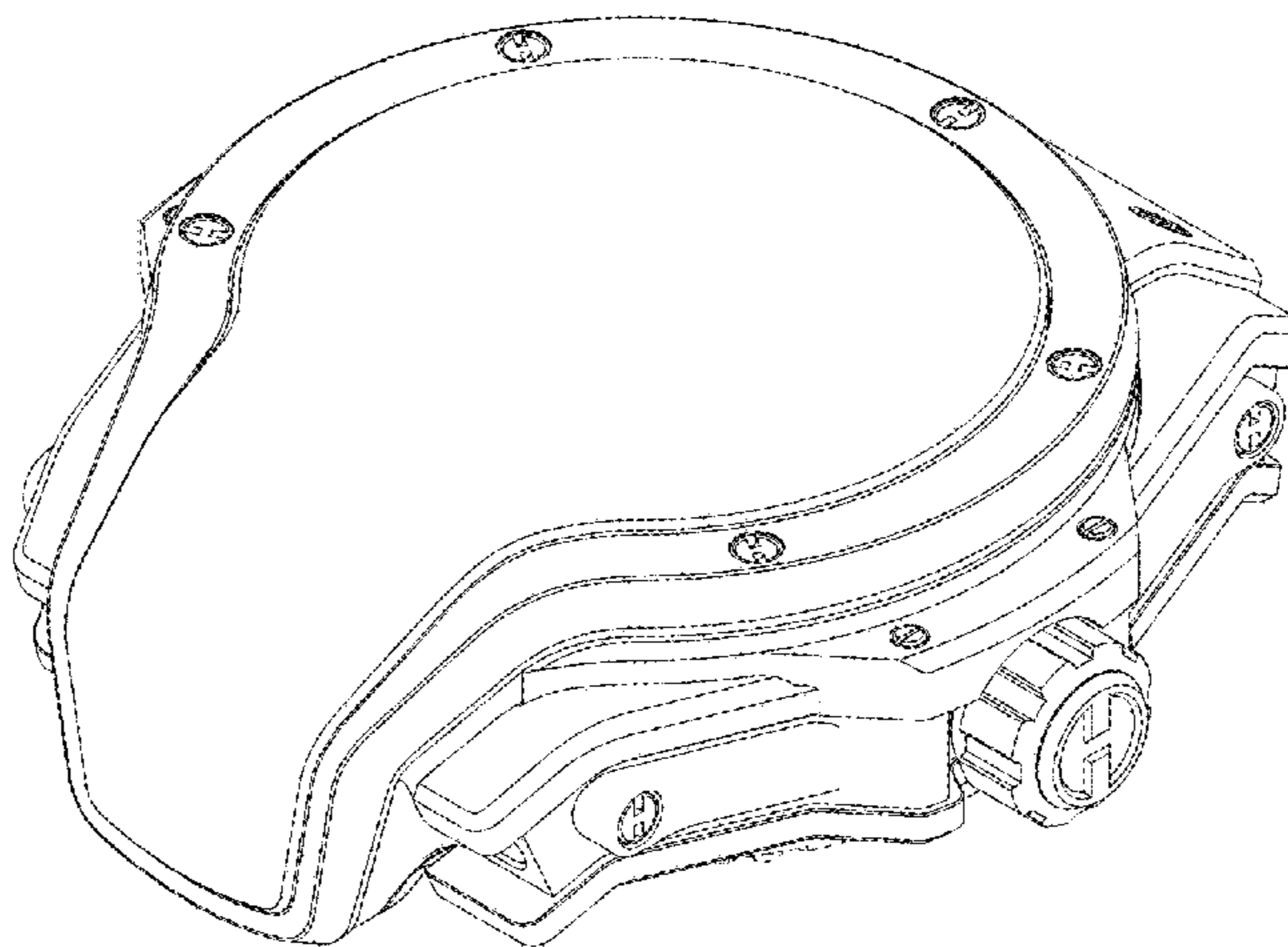
The ornamental design for a watch case, as shown and described.

DESCRIPTION

FIG. 1 is a top, front and side perspective view of a watch case showing my new design;
FIG. 2 is a front elevational view thereof;
FIG. 3 is a rear elevational view thereof;
FIG. 4 is a left side elevational view thereof;
FIG. 5 is a right side elevational view thereof;
FIG. 6 is a top plan view thereof; and,
FIG. 7 is a bottom plan view.

The portions depicted by broken lines are shown for illustrative purposes only and form no part of the claimed design.

1 Claim, 7 Drawing Sheets



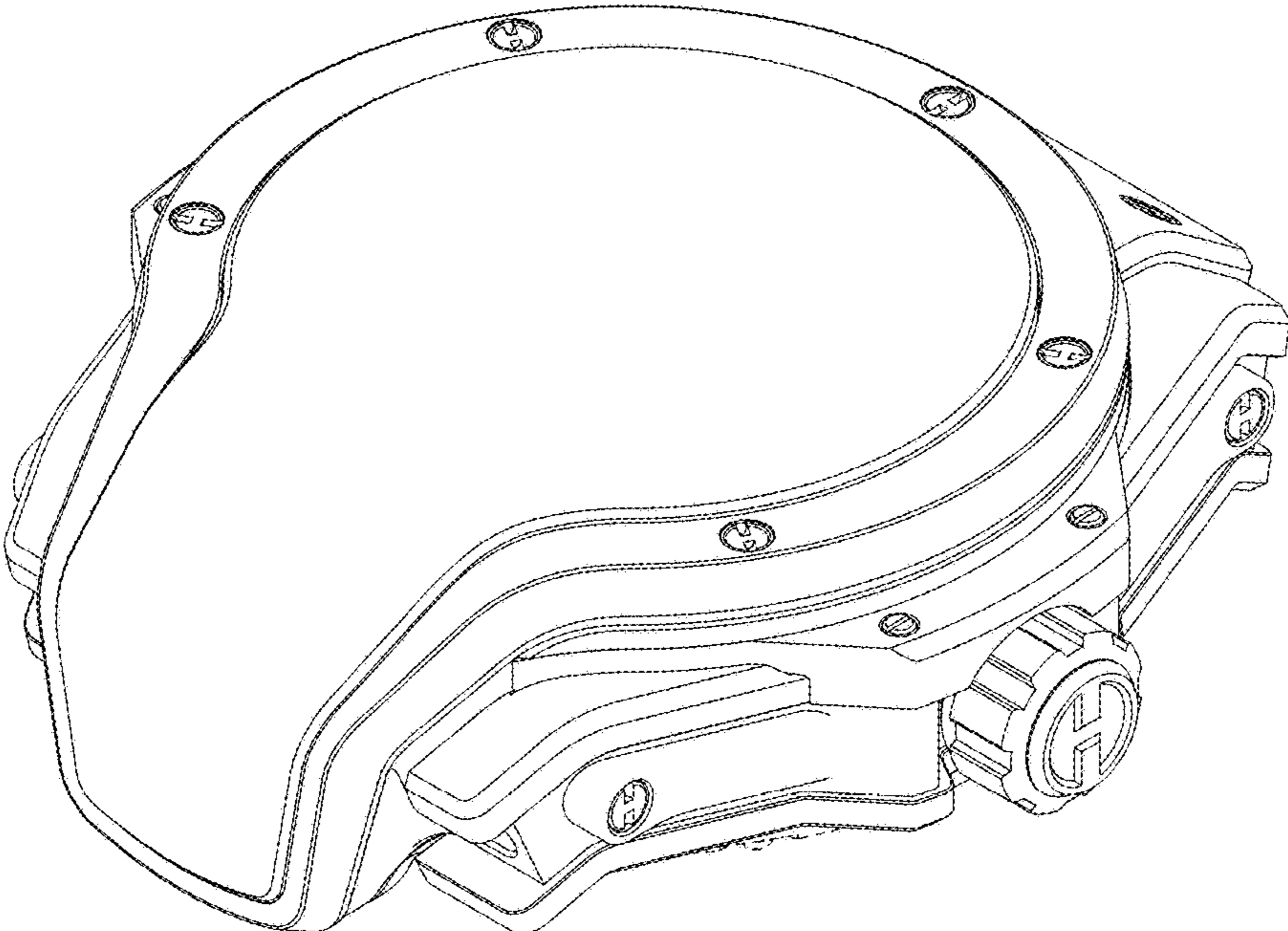


FIG. 1

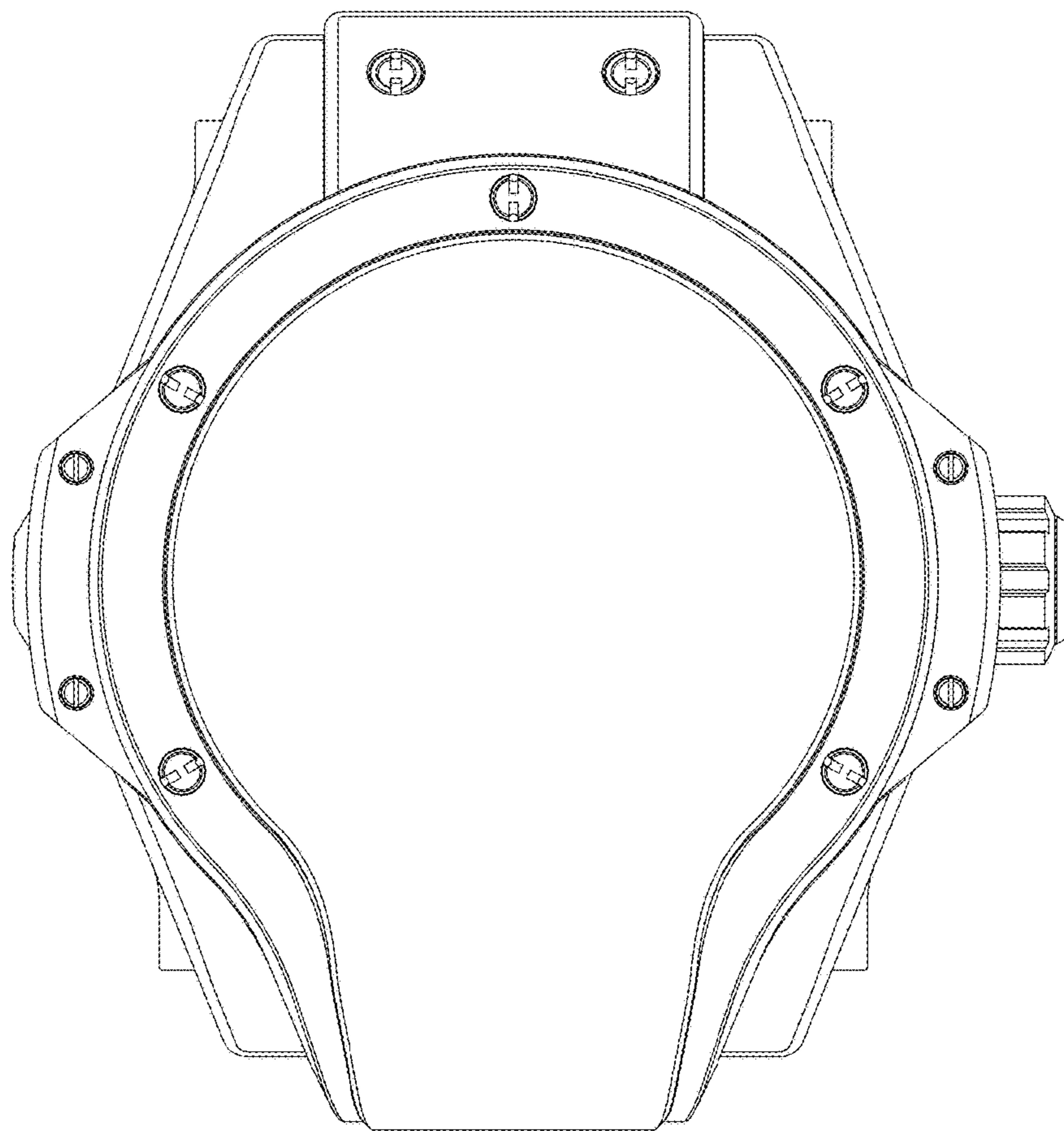


FIG. 2

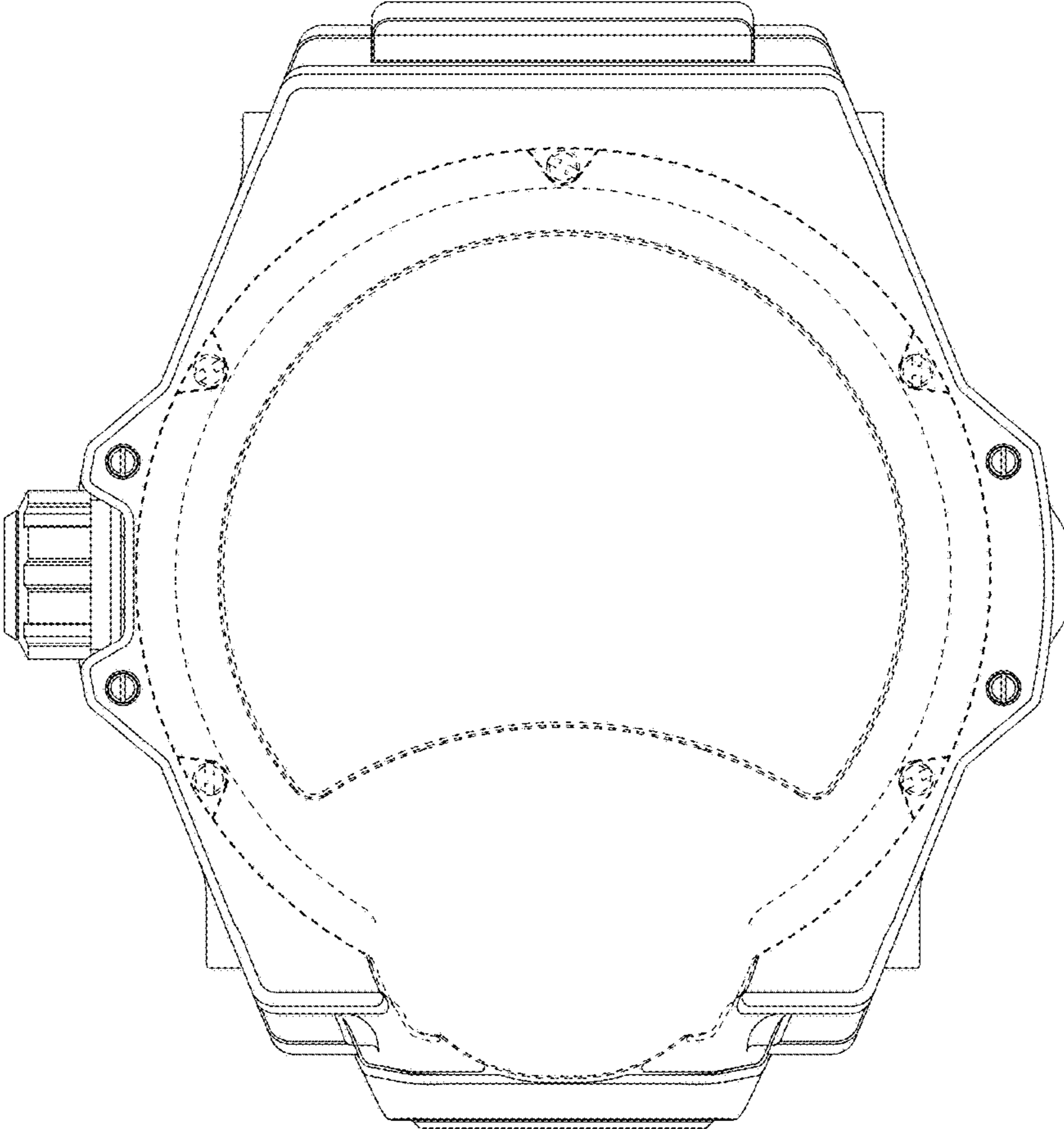


FIG. 3

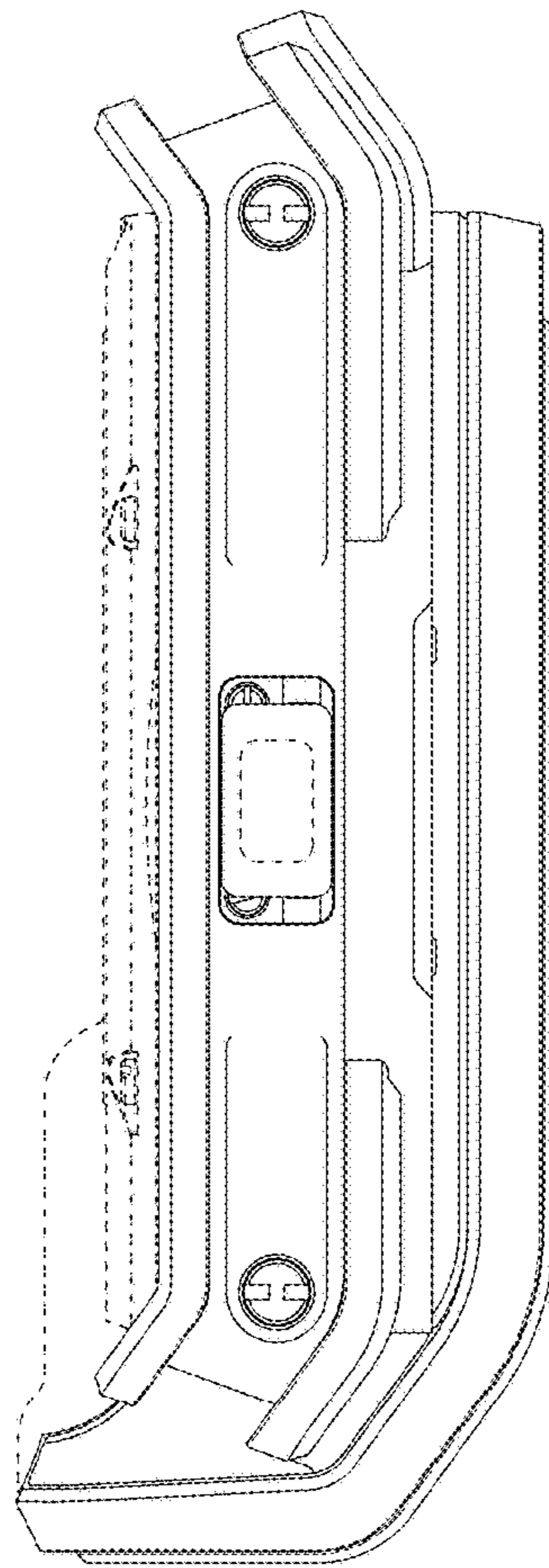


FIG. 4

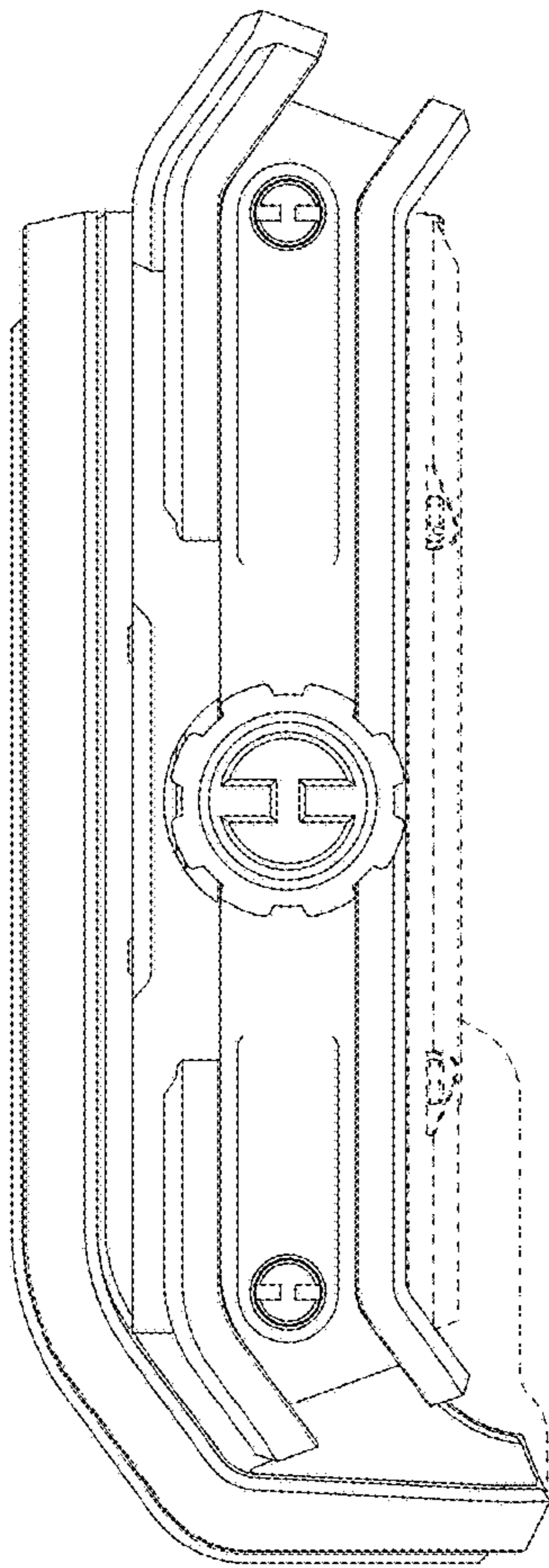


FIG. 5

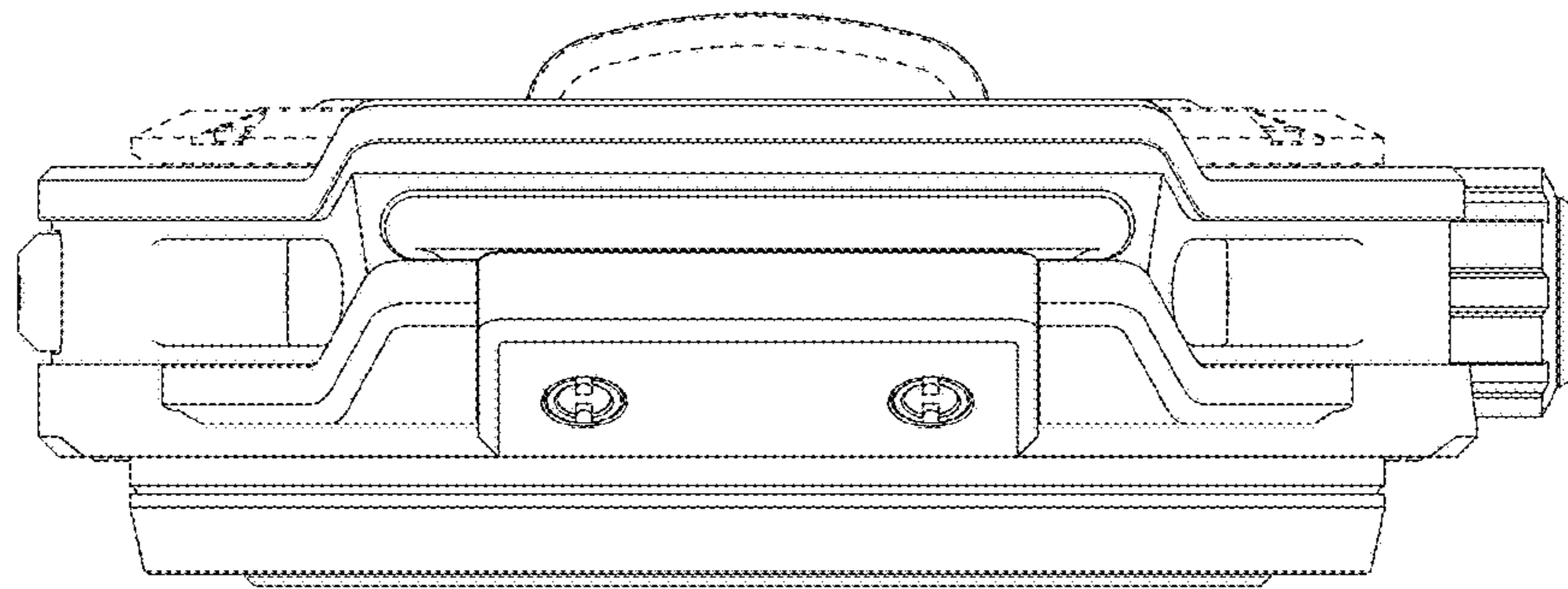


FIG. 6

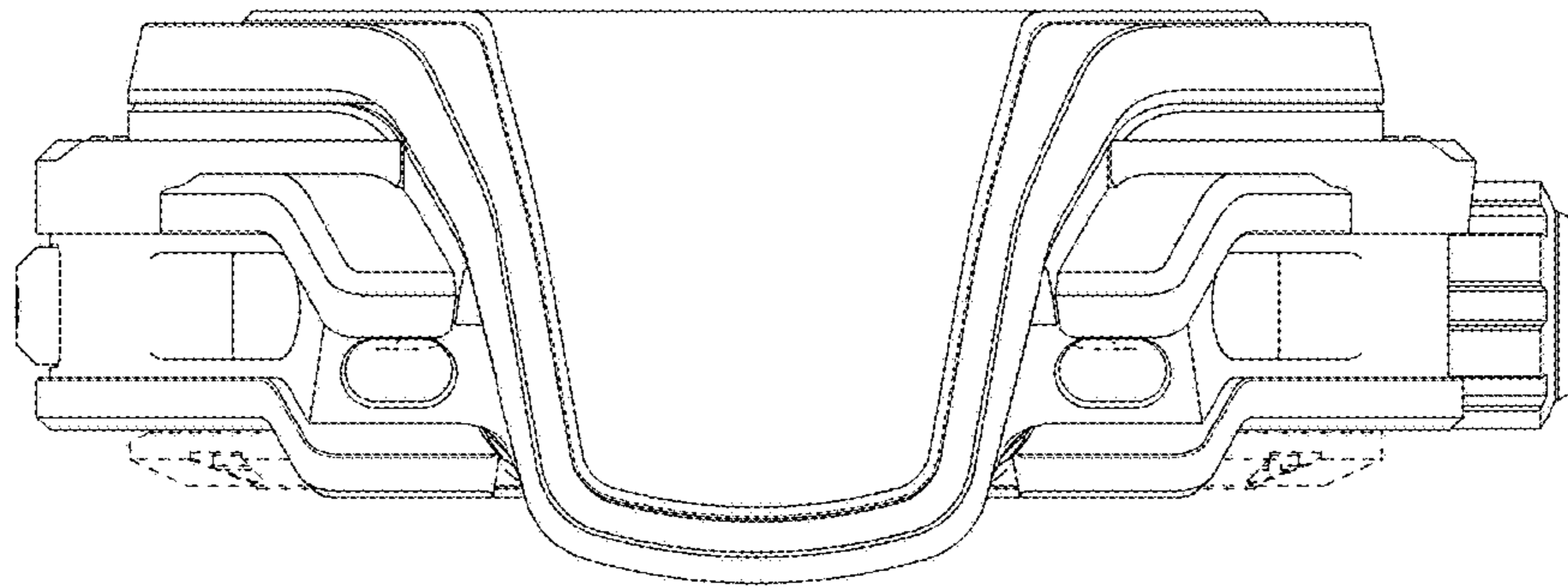


FIG. 7