



US00D843225S

(12) **United States Design Patent** (10) **Patent No.:** **US D843,225 S**
Kilduff et al. (45) **Date of Patent:** **** Mar. 19, 2019**

(54) **LOCKABLE BAG**

33/24-33/25; B65D 33/2583; B65D 33/2591; A44B 19/16

(71) Applicant: **POLLEN GEAR LLC**, New York, NY (US)

See application file for complete search history.

(72) Inventors: **Edward Kilduff**, New York, NY (US);
Shane Grant Blomberg, Brooklyn, NY (US)

(56) **References Cited**

U.S. PATENT DOCUMENTS

(73) Assignee: **POLLEN GEAR LLC**, Hermosa Beach, CA (US)

2,942,450 A	6/1960	Krug	
4,008,914 A	2/1977	Anderson	
D388,250 S	12/1997	Robinson et al.	
5,851,071 A	12/1998	Arnell	
D411,764 S	7/1999	Vazquez	
6,074,094 A	6/2000	Manolizi et al.	
6,481,890 B1	11/2002	VandenHeuvel	
7,029,178 B2	4/2006	Gzybowski	
7,090,397 B2	8/2006	Stolmeier	
7,213,303 B1 *	5/2007	Savicki	B65D 33/2591 24/30.5 R
7,255,477 B2	8/2007	Arnell	
7,494,280 B2	2/2009	Gzybowski	
D597,854 S *	8/2009	Berman	D9/707
7,600,300 B2 *	10/2009	Russell	B65D 33/2591 24/30.5 R

(**) Term: **15 Years**

(21) Appl. No.: **29/589,025**

(22) Filed: **Dec. 27, 2016**

Related U.S. Application Data

(Continued)

(63) Continuation-in-part of application No. 29/584,476, filed on Nov. 15, 2016.

Primary Examiner — Abraham Bahta

(74) *Attorney, Agent, or Firm* — RMCK Law Group PLC

(51) **LOC (11) Cl.** **09-05**

(57) **CLAIM**

(52) **U.S. Cl.**
USPC **D9/709**; 24/30.5 R

The ornamental design for lockable bag, as shown and described.

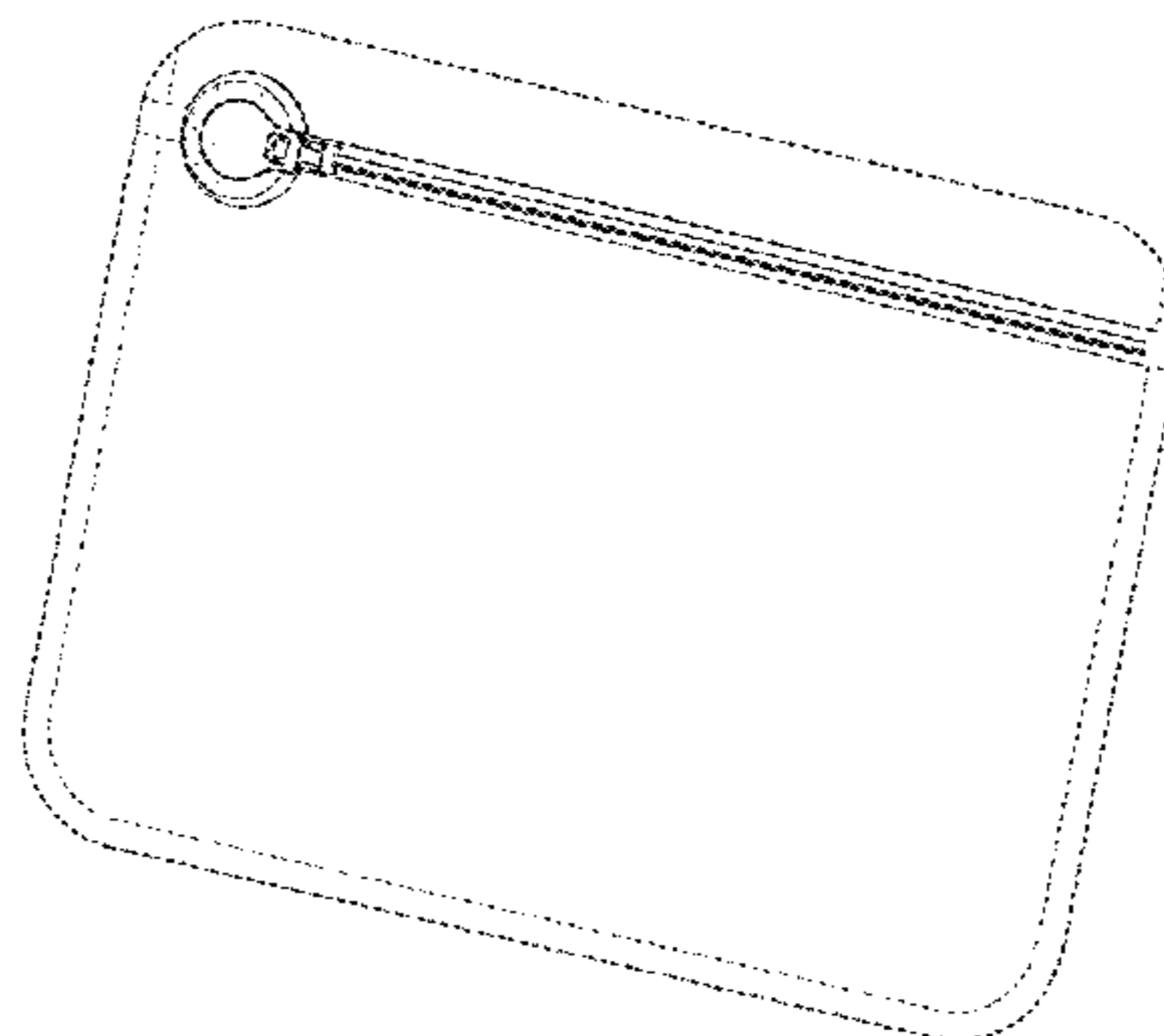
(58) **Field of Classification Search**

DESCRIPTION

USPC D9/702-714, 720-722, 435, 415-416, D9/430-433; 383/104, 120-121, 107, 383/114, 61.1, 61.2, 64, 103, 210.1, 66, 383/62; 229/200, 201, 125.15, 213, 80; 222/107; D3/303, 273, 232, 203.1; 426/106; 206/541, 223, 524.8; 220/495.03; 53/456, 459, 405; 283/81, 283/100-101; 428/34.3; 493/212-213, 493/186; 24/415, 585.12, DIG. 11, 24/30.5 R, 30.5 L, 585.1, 399, 387
CPC B65D 33/00; B65D 33/16; B65D

FIG. 1 is a front perspective view of a lockable bag in a locked condition in accordance with the present teachings. FIG. 2 is a rear perspective view of the lockable bag of FIG. 1.
FIG. 3 is a front view of the lockable bag of FIG. 1.
FIG. 4 is a rear view of the lockable bag of FIG. 1.
FIG. 5 is a first side view of the lockable bag of FIG. 1.
FIG. 6 is a second side view of the lockable bag of FIG. 1.
FIG. 7 is a top view of the lockable bag of FIG. 1; and, FIG. 8 is a bottom view of the lockable bag of FIG. 1.

(Continued)



The broken line showing portions of the lockable bag form
no part of the claimed design.

1 Claim, 6 Drawing Sheets

(56) **References Cited**

U.S. PATENT DOCUMENTS

D629,204 S	12/2010	Spira
D702,043 S	4/2014	Johnson et al.
D709,700 S	7/2014	Nunez et al.
D713,644 S	9/2014	Johnson et al.
9,321,560 B2	4/2016	Dowler et al.
D816,988 S	5/2018	McLauchlin
2012/0017402 A1	1/2012	Feinberg

* cited by examiner

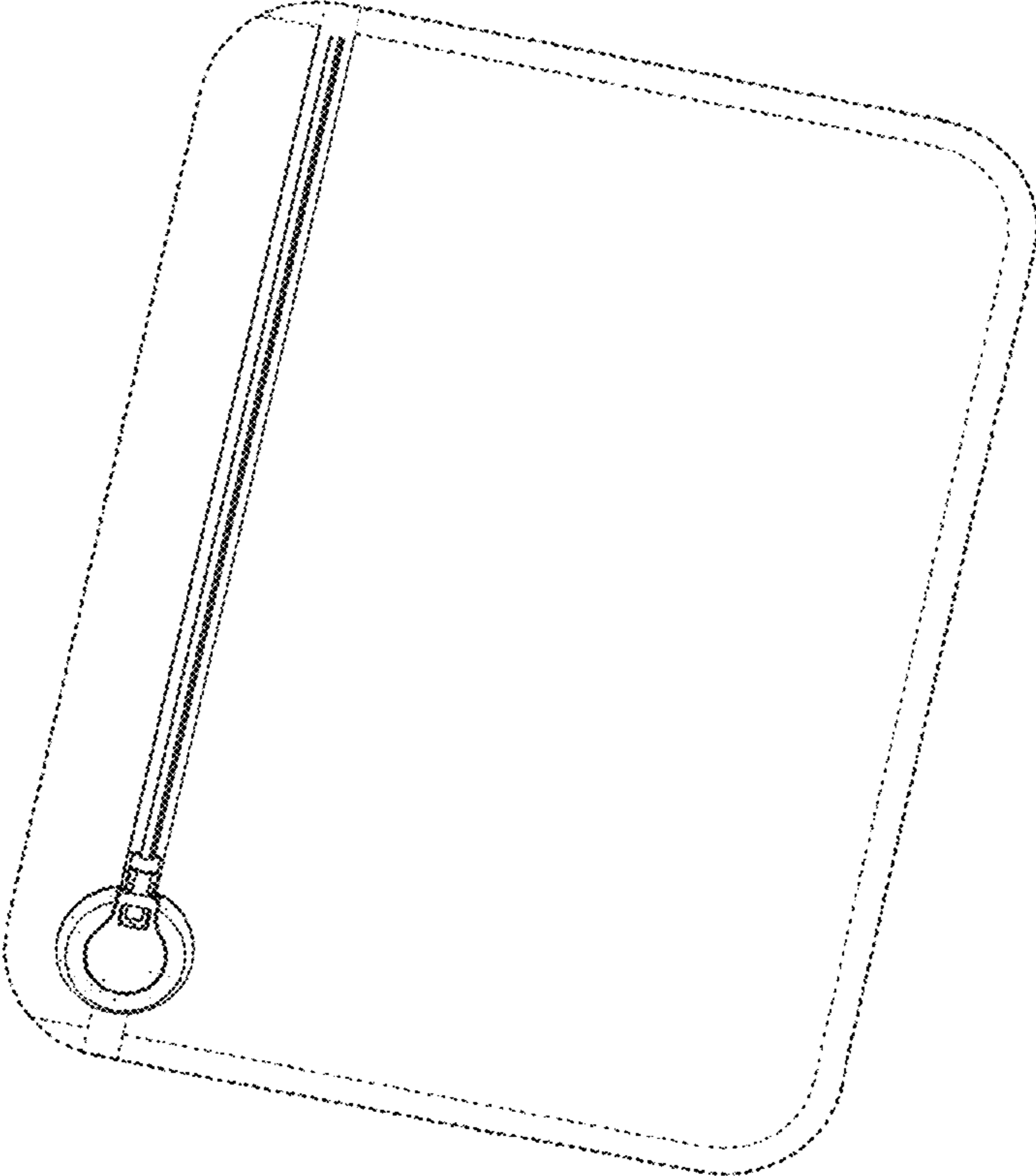


FIG.1

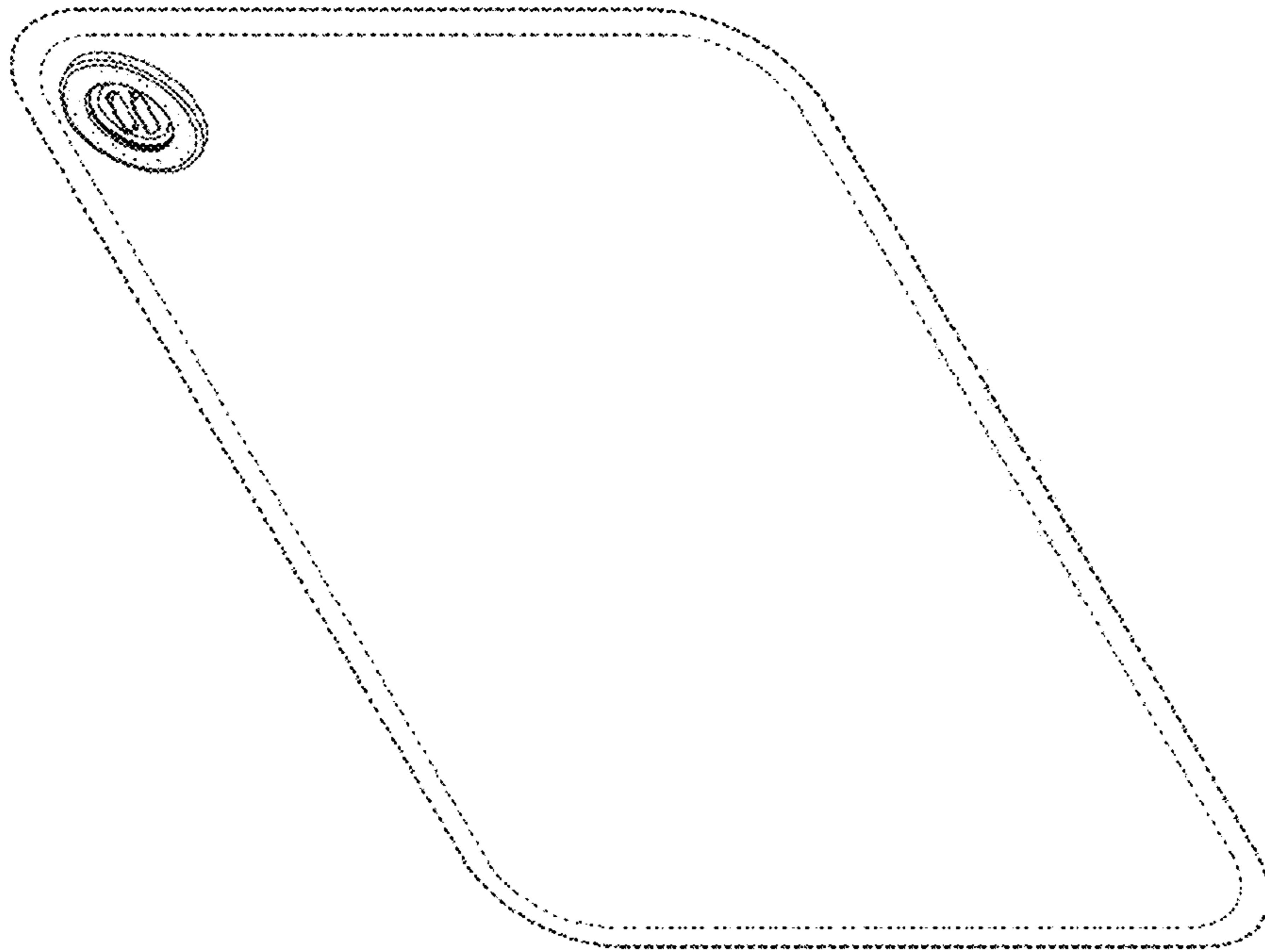


FIG. 2

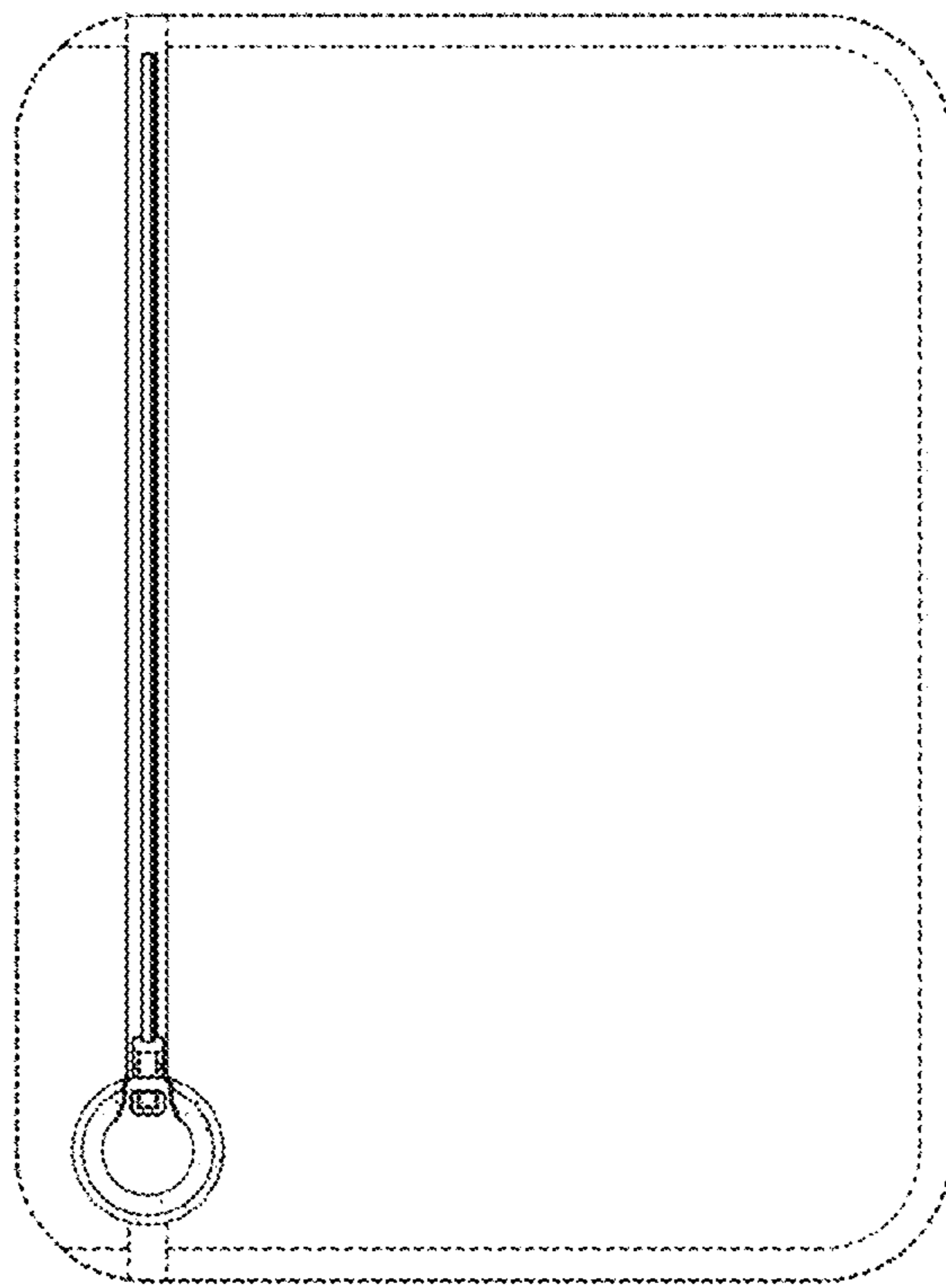


FIG. 3

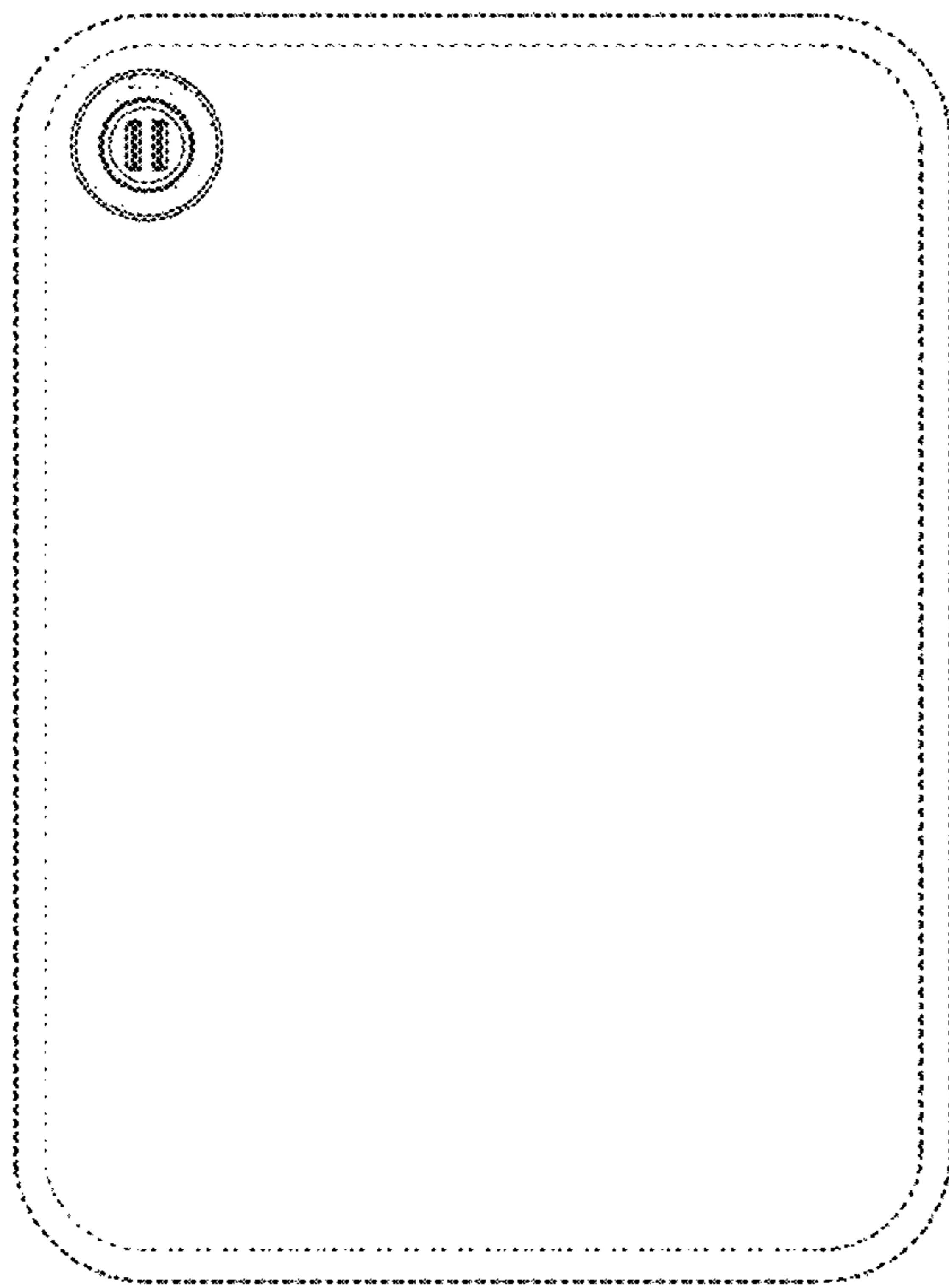


FIG. 4

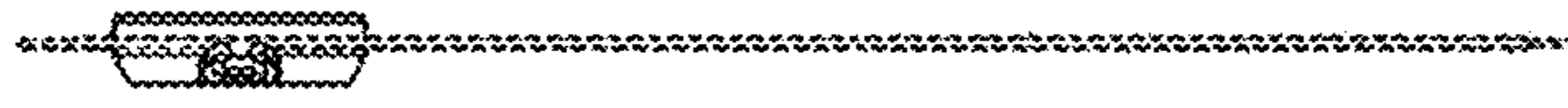


FIG. 6

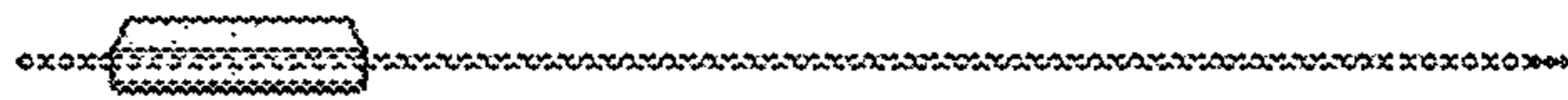


FIG. 5

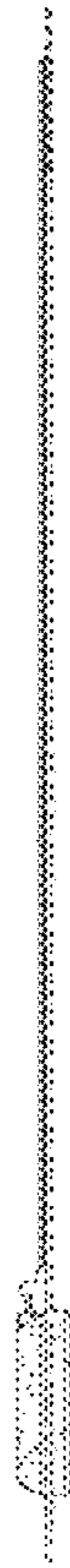


FIG. 7

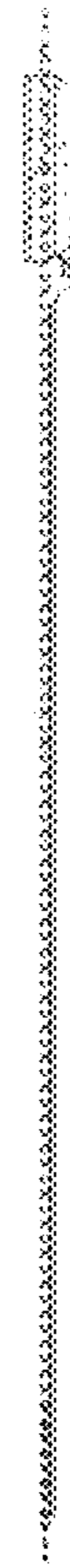


FIG. 8